



Your Solutions Partner

Installation and Operation Manual

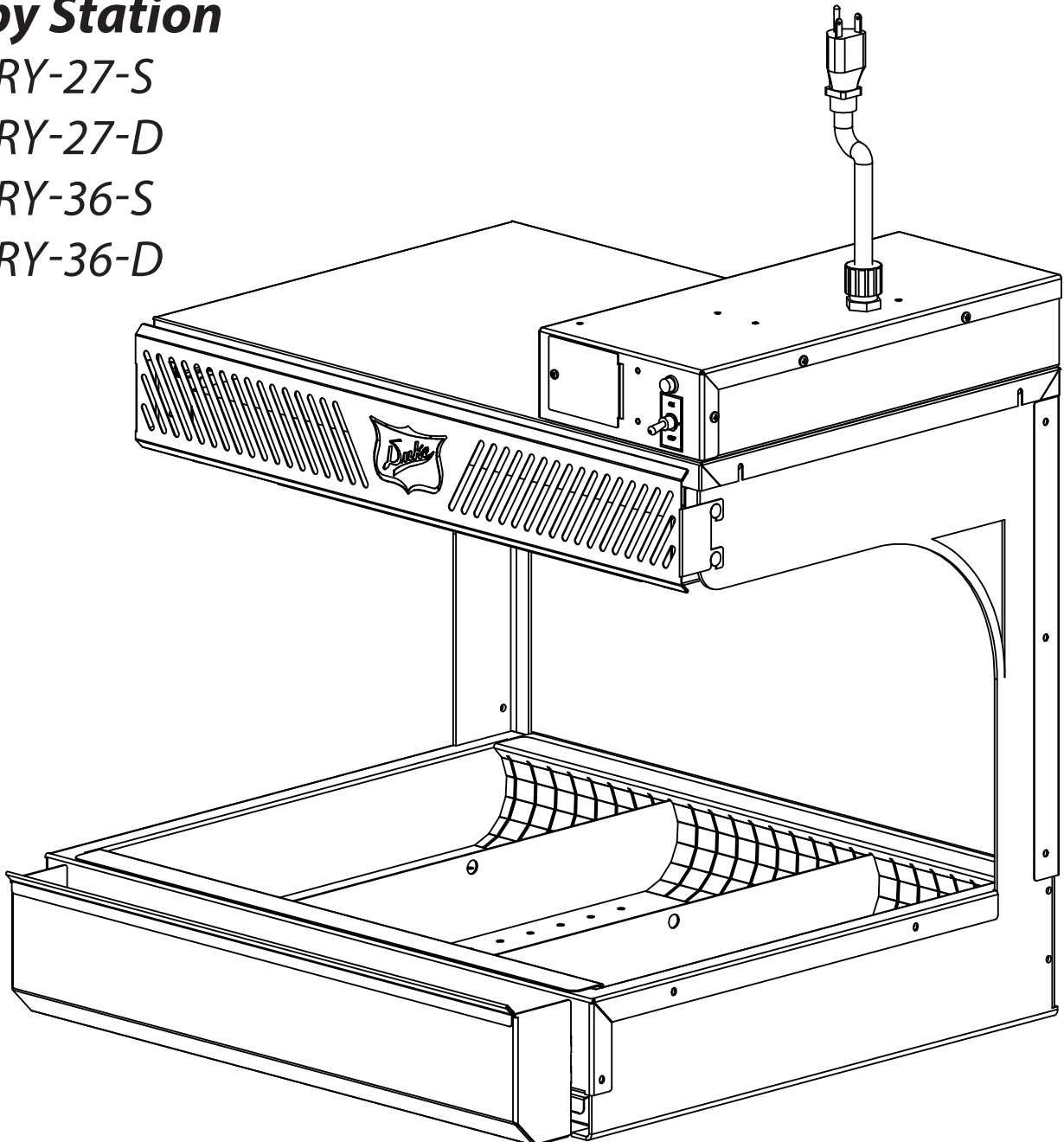
Crispy Station

DK-FRY-27-S

DK-FRY-27-D

DK-FRY-36-S

DK-FRY-36-D



CAUTION: Please read this manual completely before attempting to install, operate or service this equipment

*This manual is Copyright © 2020 Duke Manufacturing Co. All rights reserved.
Reproduction without written permission is prohibited. Duke is a registered
trademark of the Duke Manufacturing Co.*

P/N 522069
REV D 03/11/2020



TABLE OF CONTENTS

Important Safety Instructions 3

Specifications 4

Wire Diagram 4

Inspection of Unit 5

Installation 5

Operation 6

Cleaning..... 7-8

Preventive Maintenance 8

Replacement Hatco Display Light Bulbs..... 8

IMPORTANT SAFETY INSTRUCTIONS

Throughout this manual, you will find the following safety words and symbols that signify important safety issues with regards to operating or maintaining the equipment.



Indicates a hazardous situation which, if not avoided, could result in death or serious injury.



Indicates a hazardous situation which, if not avoided, could result in minor or moderate injury.



Indicates Important Information



Indicates electrical shock hazard which, if not avoided, could result in death or serious injury and/or equipment damage.



Indicates hot surface which, if not avoided, could result in minor or moderate injury.



Electrical shock hazard. Do not wash with water jet or hose.

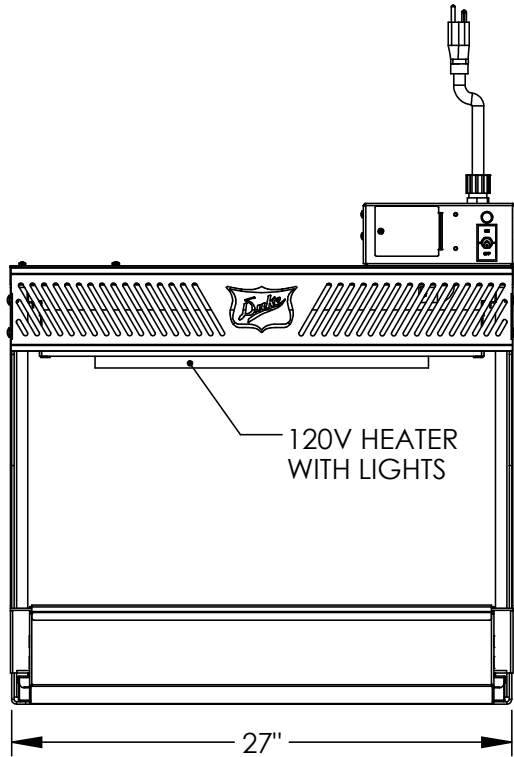
In addition to the warnings and cautions in this manual, use the following guidelines for safe operation of the unit.

- Read all instructions before using equipment.
- For your safety, the equipment is furnished with a properly grounded cord connector. Do not attempt to remove or disconnect the grounded connector.
- Install or locate the equipment only for its intended use as described in this manual.
- Do not use corrosive chemicals on this equipment.
- Do not operate this equipment if it has a damaged cord or plug, if it is not working properly, or if it has been damaged or dropped.
- This equipment should be serviced by qualified personnel only. Contact the nearest Duke authorized service facility for adjustment or repair.
- Do not block or cover any openings on the unit.
- Do not immerse cord or plug in water.
- Keep cord away from heated surfaces.
- Do not allow cord to hang over edge of table or counter.

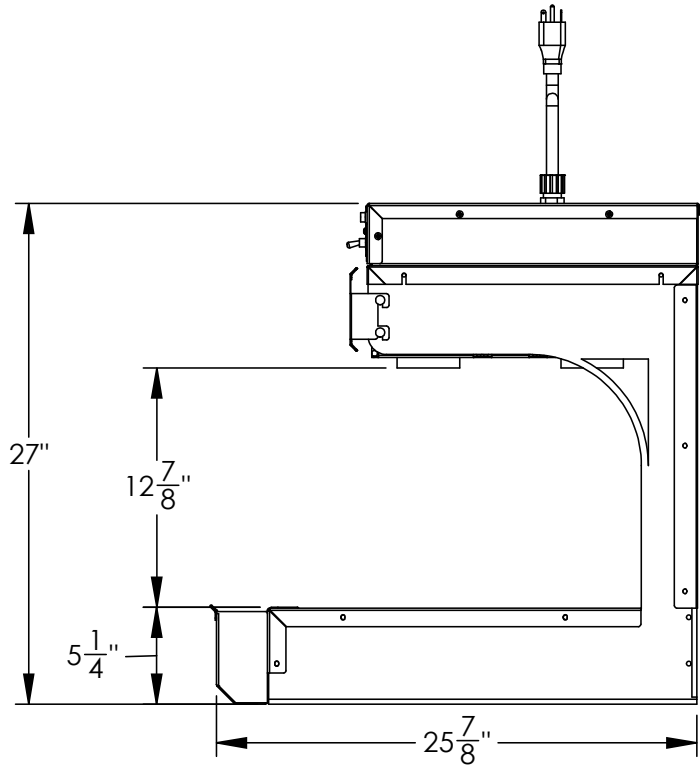
The following warnings and cautions appear throughout this manual and should be carefully observed.

- Turn the unit off, disconnect the power source and allow unit to cool down before performing any service or maintenance on the unit.
- The procedures in this manual may include the use of chemical products. You must read the Material Safety Data Sheets before using any of these products.
- The unit should be grounded according to local electrical codes to prevent the possibility of electrical shock. It requires a grounded receptacle with dedicated electrical lines, protected by fuses or circuit breaker of the proper rating, in accordance with all applicable regulations.
- Disposal of the unit must be in accordance with local environmental codes and/or any other applicable codes.
- This appliance is not intended for use by persons (including children) with reduced physical, sensory or mental capabilities, or lack of experience and knowledge, unless they have been given supervision or instruction concerning use of the appliance by a person responsible for their safety.

SPECIFICATIONS



Front View



Side View

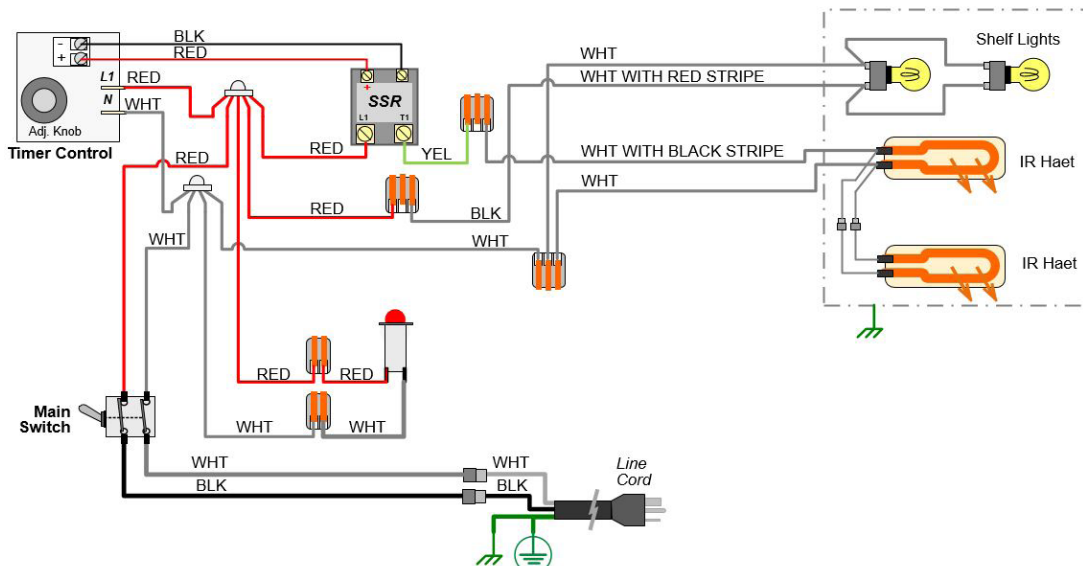
Note: 27" Unit Shown see chart for 36" unit.

ELECTRICAL SPECIFICATIONS:

DIMENSIONS:

Model	120V 60Hz			Height		Length		Depth Single Side		Depth Dual Side	
	Amps	Watts	NEMA	in.	cm	in.	cm	in.	cm	in.	cm
DK-FRY-27	11.8	1420	5-20P	27.0	64.77	27	68.58	25.88	65.74	28.75	73.03
DK-FRY-36	13.5	1620	5-20P	27.0	64.77	36	68.58	23.88	60.66	25.625	65.09

WIRE DIAGRAM



INSPECTION OF UNIT

UNPACKING UNIT

- Inspect the shipping carton and/or container, carefully noting any exterior damage on the delivery receipt
 - Note any damage not evident on the outside of the shipping container (concealed damage). Contact the carrier immediately and file a damage claim with them.
 - Save all packing materials when filing a claim. Freight damage claims are the responsibility of the purchaser and are not covered by the warranty.
 - Report any dents or breakage to source of purchase immediately.
 - **Do not attempt to use unit if damaged.**
 - Remove all materials from unit interior.
 - Remove unit from Skid
 - If unit has been stored in extremely cold area, wait a few hours before connecting power.
1. Remove shrink wrapped bag from the unit. (It is stapled to the crate at both ends.)
 2. Remove strapping and protective cardboard from around the unit.

INSTALLATION

WARNING

To protect from possible severe electrical shock, this appliance is designed to be connected to a properly grounded electrical circuit.

For a cord connected appliance: In order to provide proper grounding, it is essential that the grounding prong of the plug be inserted into a properly grounded receptacle. If you do not know whether a receptacle is properly grounded, consult a licensed electrician.

Never insert the plug into a receptacle if the cord is frayed or damaged or if the plug has been altered or damaged.

1. Place unit on a solid counter or table top.
2. Connect power cord to a proper electrical outlet rated for the unit.

OPERATION

⚠ CAUTION

Standard and approved manufacturing oils may smoke up to 30 minutes during initial start up. This is a temporary condition. Operate unit without food until smoke dissipates.

⚠ CAUTION

BURN HAZARD: Some exterior surfaces on Heat Lamp will get hot.
Avoid unnecessary contact with heat lamp

Initial Start Up

- Remove cover from Infinite control.
- Once unit is operating to desired requirements replace cover.

Turning On Unit

Toggle Switch I/O (ON/OFF):

- Flip switch to On - turns on power to the heating elements and the lights.

Infinite Control:

- Turns on the power and controls the temperature of the heating element.

Indicator Light:

- Illuminates when power is on.
- Shuts off when power is off.

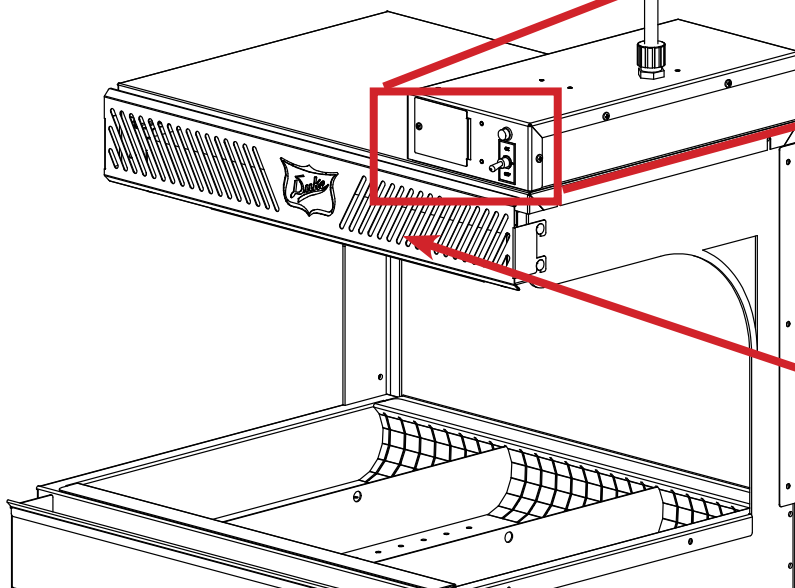
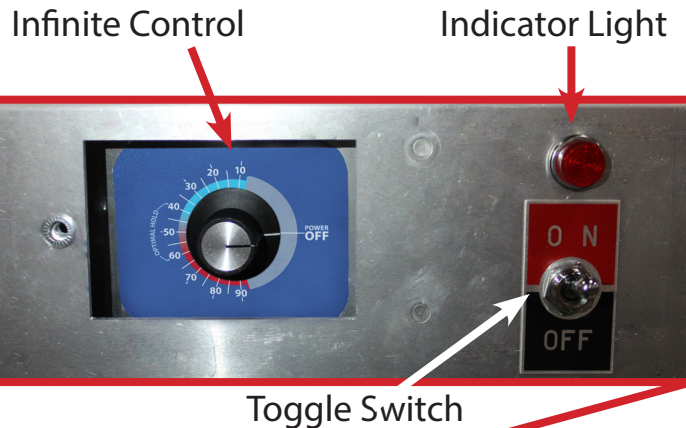
Note: Allow 15-20 minutes for unit to reach operating temperature.

Turning Off Unit

Toggle Switch I/O (ON/OFF):

- Flip switch to Off - turns off power to the heating elements and the lights.
- The indicator light will shut off and the heating element will shut down.

Control Panel



Heating Elements and Light

CLEANING

!WARNING Do not use any highly caustic cleaners, acids or ammonia. These may cause corrosion and/or damage to the stainless steel.

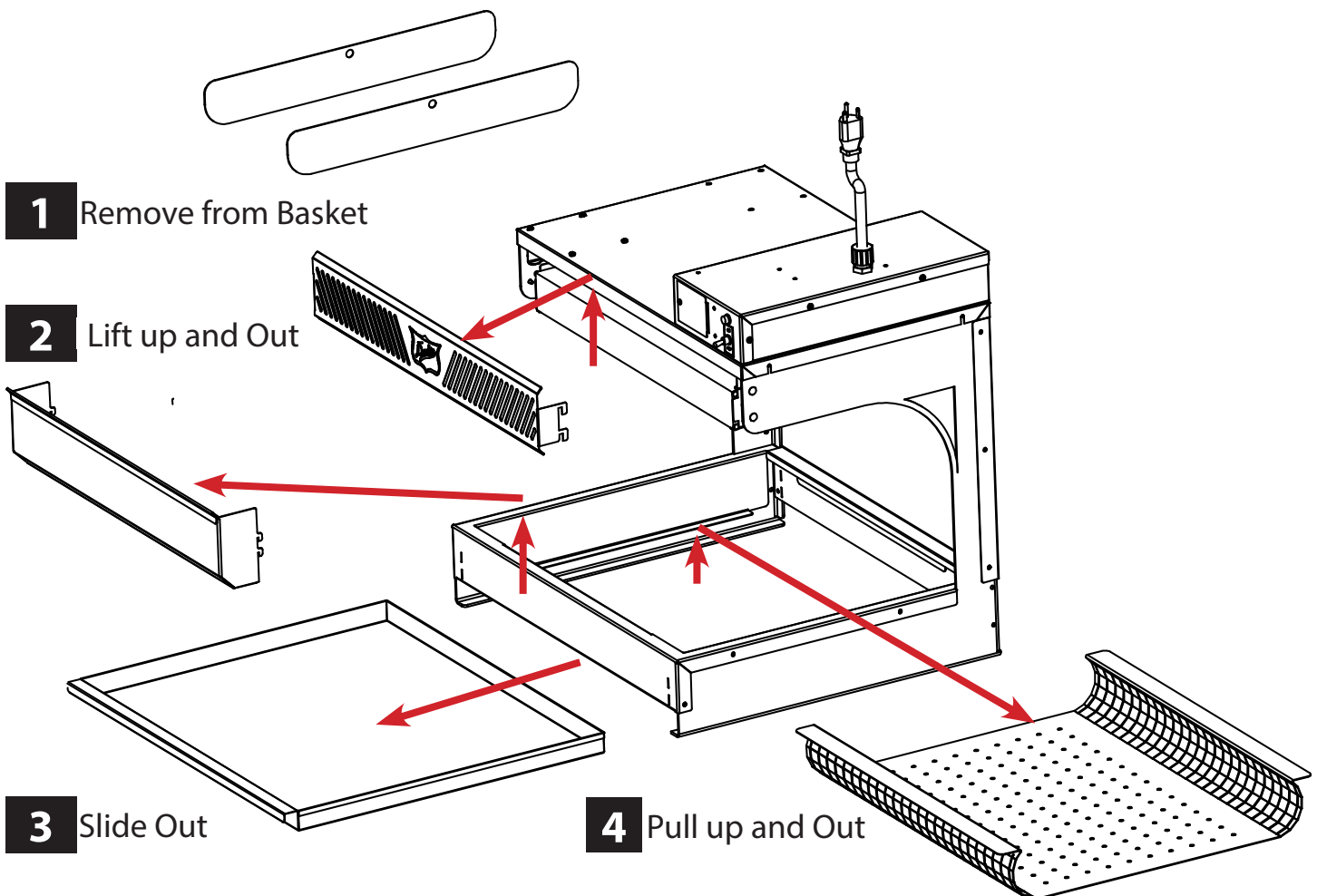
CAUTION ⚡ Electrical shock hazard. Do not wash with water jet or hose.

Daily:

General Cleaning Instructions

1. Turn Unit off and allow to cool.
2. Always clean equipment thoroughly before first use. Clean unit daily, use warm, soapy water or mild detergent.
3. Remove and clean: Fry Basket, Crumb Tray, Dividers and Small-ware Trough.
4. Wipe down all metal surfaces with a water-dampened, non-abrasive cloth.
 - Stubborn stains may be removed using a good stainless steel or non-abrasive cleaner.
 - Clean hard to reach areas using a small brush and mild soap.

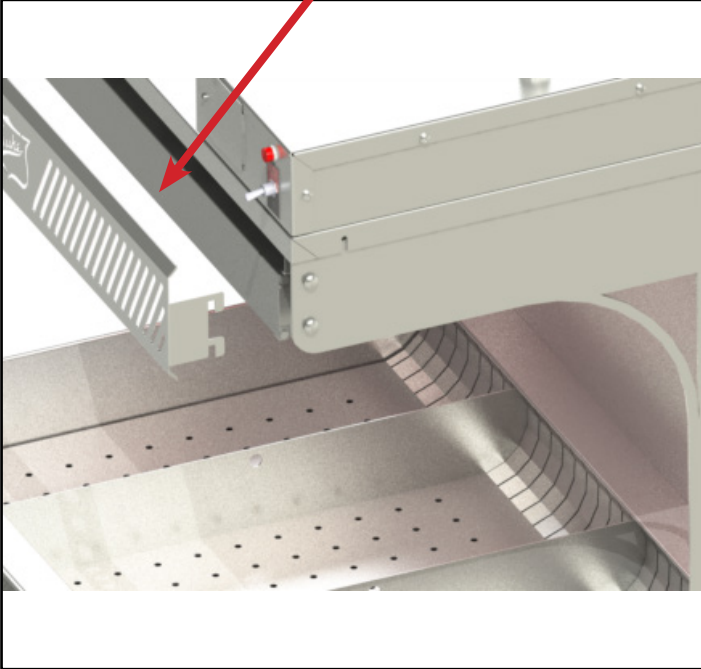
NOTICE: DO NOT USE STEEL WOOL.



CLEANING - continued

Weekly:

- 1 Lift grill up and out to remove for cleaning.



- 2 Using a soft cloth remove any oil or debris from top of heater.



- 3 Re-install top grill cover.

⚠ WARNING

Failure to complete this step could result in bodily injury

PREVENTIVE MAINTENANCE

Follow the cleaning procedures in the cleaning section to avoid maintenance issues.

REPLACING DISPLAY LIGHT BULBS

⚠ WARNING

Use only light bulbs that meet or exceed National Sanitation Foundation (NSF) standards and are specifically designed for holding areas. Breakage of light bulbs not specially coated could result in personal injury and or food contamination.

The display light is an incandescent bulb that illuminates the warming area. These bulbs have a special coating to guard against injury and food contamination in the event of breakage.

To replace a display light bulb:

1. Disconnect the power supply and wait until unit has cooled.
2. Unscrew the light bulb from the unit and replace it with a new, specially-coated incandescent or optional halogen bulb.

NOTE: *Hatco shatter-resistant light bulbs meet NSF standards for food holding and display.*

- *For 120, 120/208, and 120/240 volt appliances use Hatco P/N 02.30.043.00.*



Duke Manufacturing Co.
2305 N. Broadway
St. Louis, MO 63102

Phone: 314-231-1130
Toll Free: 1-800-735-3853
Fax: 314-231-5074

www.dukemfg.com