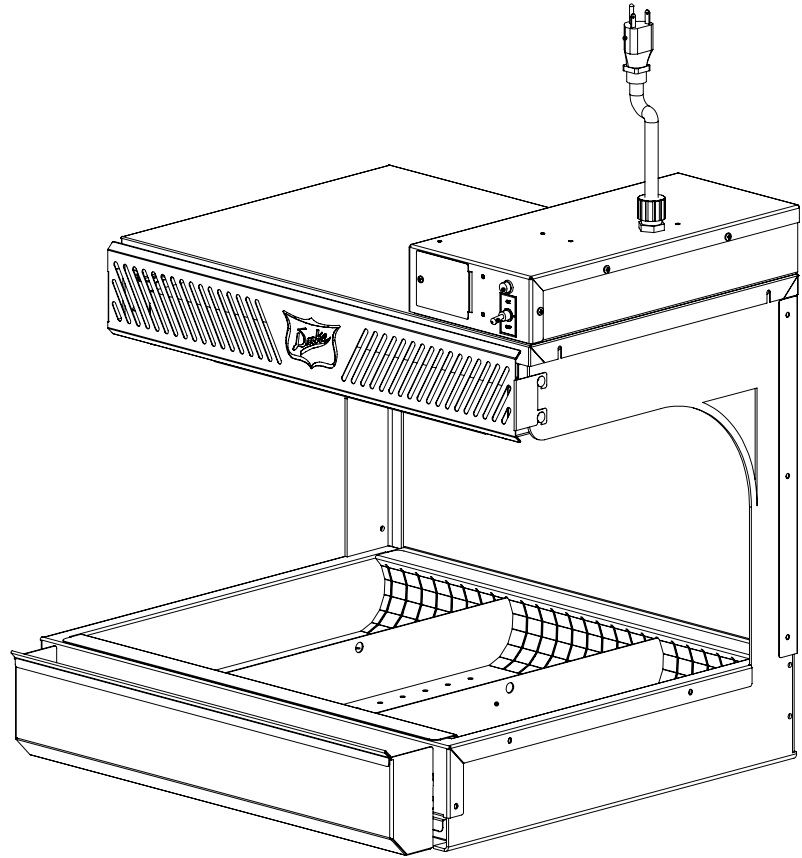




Your Solutions Partner

Illustrated Parts List



CRISPY STATION

MODELS:

DK-FRY-27-S

DK-FRY-27-D

DK-FRY-36-S

DK-FRY-36-D

*This manual is Copyright © 2023 Duke Manufacturing Co. All rights reserved.
Reproduction without written permission is prohibited. Duke is a registered
trademark of the Duke Manufacturing Co.*

Duke Manufacturing Co.

2305 N. Broadway • St. Louis, MO 63102

800.735.3853 • 314.231.1130

Fax: 314-231-5074

www.dukemfg.com

How to Determine Manufacture Date from Duke Equipment Serial Numbers

All units currently manufactured in St. Louis and Sedalia, Missouri (After 2/1/2013):

08 03 0202

(Example: 08030202 = Indicates the unit was manufactured in August of 2003)

Units Manufactured in St. Louis, Missouri (Before 2/1/2013):

30 IF AA 0123

<p><u>Unit Identification</u></p> <p>10 = 5/9 20 = 6/13 & E-Series 30 = 6/18 & 3/9 90 = FBB 94 = FWM 95 = IRHU 99 = Dry Channel</p> <p><u>Year of Manufacture</u></p> <p>A = 1 B = 2 C = 3 D = 4 (Examples) E = 5 (JJ = 2000) F = 6 (JA = 2001) G = 7 (JB = 2002) H = 8 I = 9 J = 0</p>	<p><u>Sequential Number</u></p> <p><u>Month of Manufacture</u></p> <p>JA = January JB = February JC = March JD = April JE = May JF = June JG = July JH = August JI = September AJ = October AA = November AB = December</p>
--	--

TABLE OF CONTENTS

How To Determine Mfg Date From Duke Serial Numbeers2

Crispy Station 27 - Single Side And Dual Side Units5

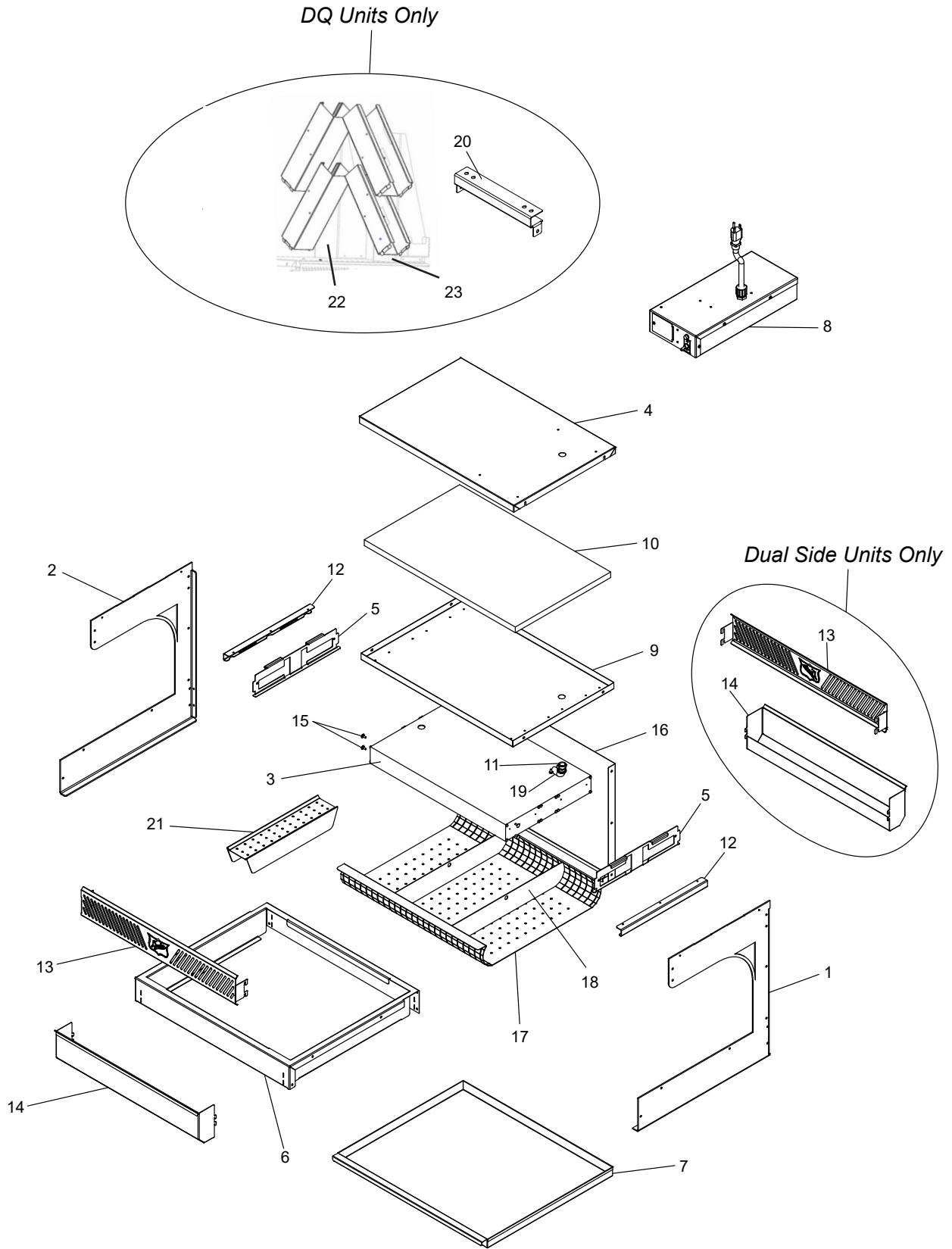
Crispy Station 27 - Control Box Assembly7

Crispy Station 36 - Single Side And Dual Side Units9

Crispy Station 36 - Control Box Assembly 11

Crispy Station Wiring Diagram - ELC0241 13

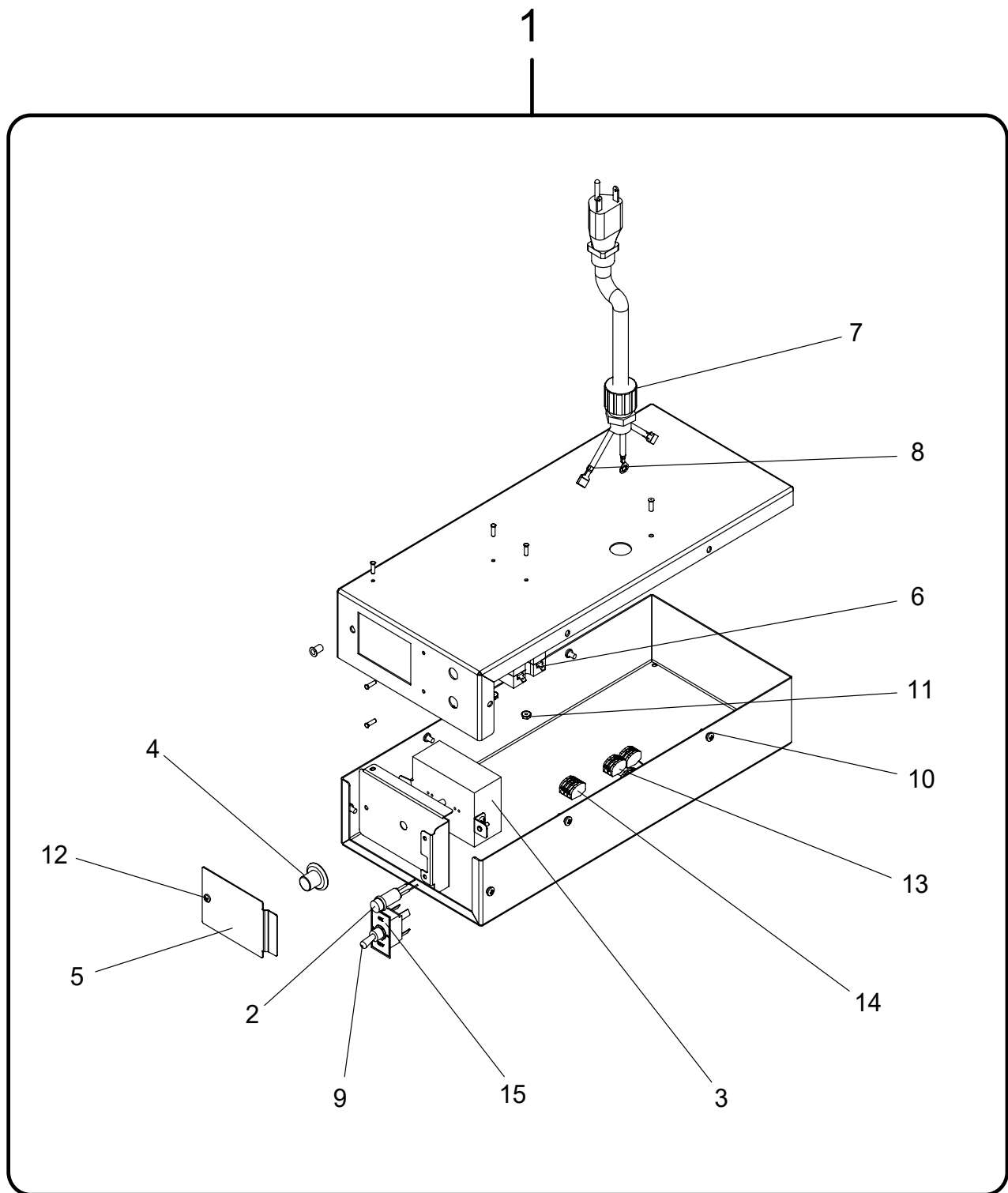
CRISPY STATION 27 - SINGLE SIDE AND DUAL SIDE UNITS



CRISPY STATION 27 - SINGLE SIDE AND DUAL SIDE UNITS

Item	Part #	Description	Qty 27-S-GEN	Qty 27-S-DQ	QTY 27-D-DQ
1	E890082	Right Upright, Crispy Station 27	1	1	1
2	E890083	Left Upright, Crispy Station 27	1	1	1
3	UGAL-24D (HATCO Part #)	Heater, ULTRA-GLO 24" UGAL-24D, 120V (Replacement Heater must be obtained from Hatco Corp)	1	1	1
4	E890077	27" Top Panel (<i>Gen Mkt Units, Holes for Right Side Control</i>)	1		
	E890056	27" Top Panel (<i>DQ Units, Holes for Right Side Control</i>)		1	1
	DQ990221	27" Top Panel (<i>DQ Units, Holes for Left Side Control</i>)		1	1
5	E890065	Heater Mount, Crispy Station	2	2	2
6	E990205	Fry Dump Top, Crispy Station 27	1	1	1
7	E890059	Fry Dump Catch Tray, Crispy Station 27	1	1	1
8	E890078K	Service Part, Crispy Station 27 Control Box Assembly	1	1	1
9	E890057	Shelf Filler, Crispy Station 27	1	1	1
10	218940	Insulation, Mineral Wool	1	1	1
11	212023	Bushing, Heyco SB-875-11	1	1	1
12	E890064	Heater Shelf Mount, Crispy Station	2	2	2
13	DQ990144	27" Fry Dump Heat Shield, Keyway	1	1	2
14	DQ990105	Drip Tray 27	1	1	2
15	213390	Carriage Bolt, 10-24 x 1/2" SS	4	4	8
16	E890084	27" Back Panel (<i>Single Side Units Only</i>)	1	1	
17	E990206	Fry Basket, Crispy Station 27	1	1	1
18	E890080	Divider, Fry Basket, Crispy Station 27	3	3	3
19	212126	Connector, 90 Degree 804D	1	1	1
20	DQ990287	DQ Fry, Pc Timer Mount Bracket		1	1
21	E990125	Staging Shelf		1	1
22	DQ-FRY-TOWER-REAR	DQ Fry Tower Assembly, Rear (<i>DQ Right Side Control & Dual Side Units</i>)		1	1
23	DQ-FRY TOWER-FRONT	DQ Fry Tower Assembly, Front (<i>DQ Left Side Control & Dual Side Units</i>)		1	1

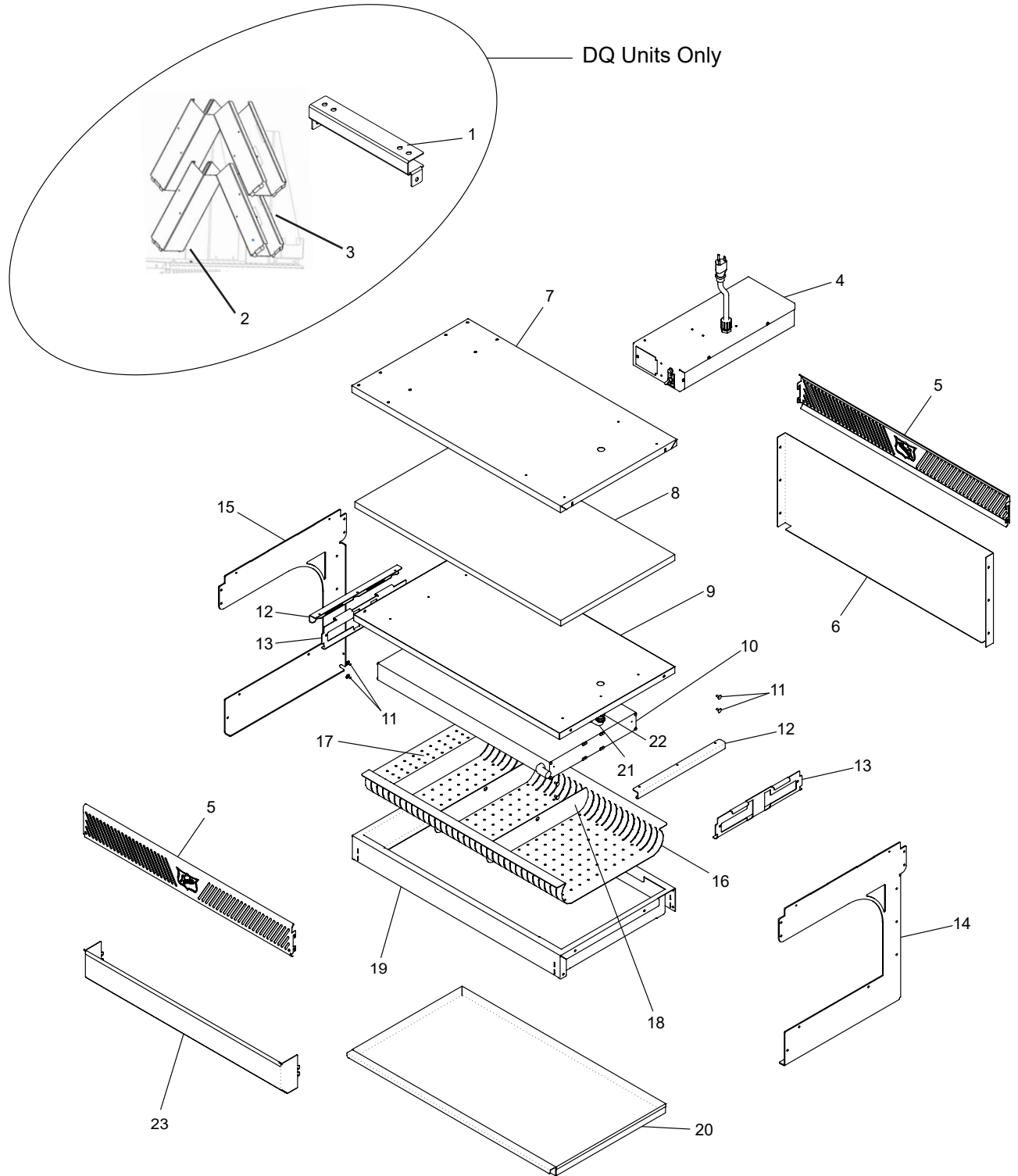
CRISPY STATION 27 - CONTROL BOX ASSEMBLY



CRISPY STATION 27 - CONTROL BOX ASSEMBLY

Item	Part #	Description	Qty 27-S-GEN	Qty 27-S-DQ	Qty 27-D-DQ
1	E890078K	Service Part, Crispy Station 27 Control Box Assembly	1	1	1
2	212069	Bulb, 250V Pilot, Red	1	1	1
3	522058	Switch, Electronic Infinite	1	1	1
4	222289	Knob, Turn Hatco	1	1	1
5	E990173	Cover Plate	1	1	1
6	177573	Relay, Solid State, 50A DC Input	1	1	1
7	212117	Strain Relief, with 1/2" Locknut	1	1	1
8	222304	Power Cord, NEMA 5-20P, 20A 125V	1	1	1
9	522294	Toggle Switch, 20A 2HPDP ON-ON	1	1	1
Not Shown	ELC0335	Harness, Wiring Crispy Station	1	1	1
10	213064	Screw, 10-24 x 1/2" TCS RD H	6	6	6
Not Shown	ELC0336	Harness, Wiring Crispy Station	1	1	1
11	154219	Nut, Keps 6-32 Hex ZP	2	2	2
12	213396	Screw, 8-32 x 1/2" PPH Patch TC Type "F", 410 SS	1	1	1
13	155811	Connector, WAGO 222-412, 2 Conductor	4	4	4
14	212107	Connector, Wago 222-413, 3 Conductor	1	1	1
15	218965	Plate, On-Off 12MM AT202	1	1	1

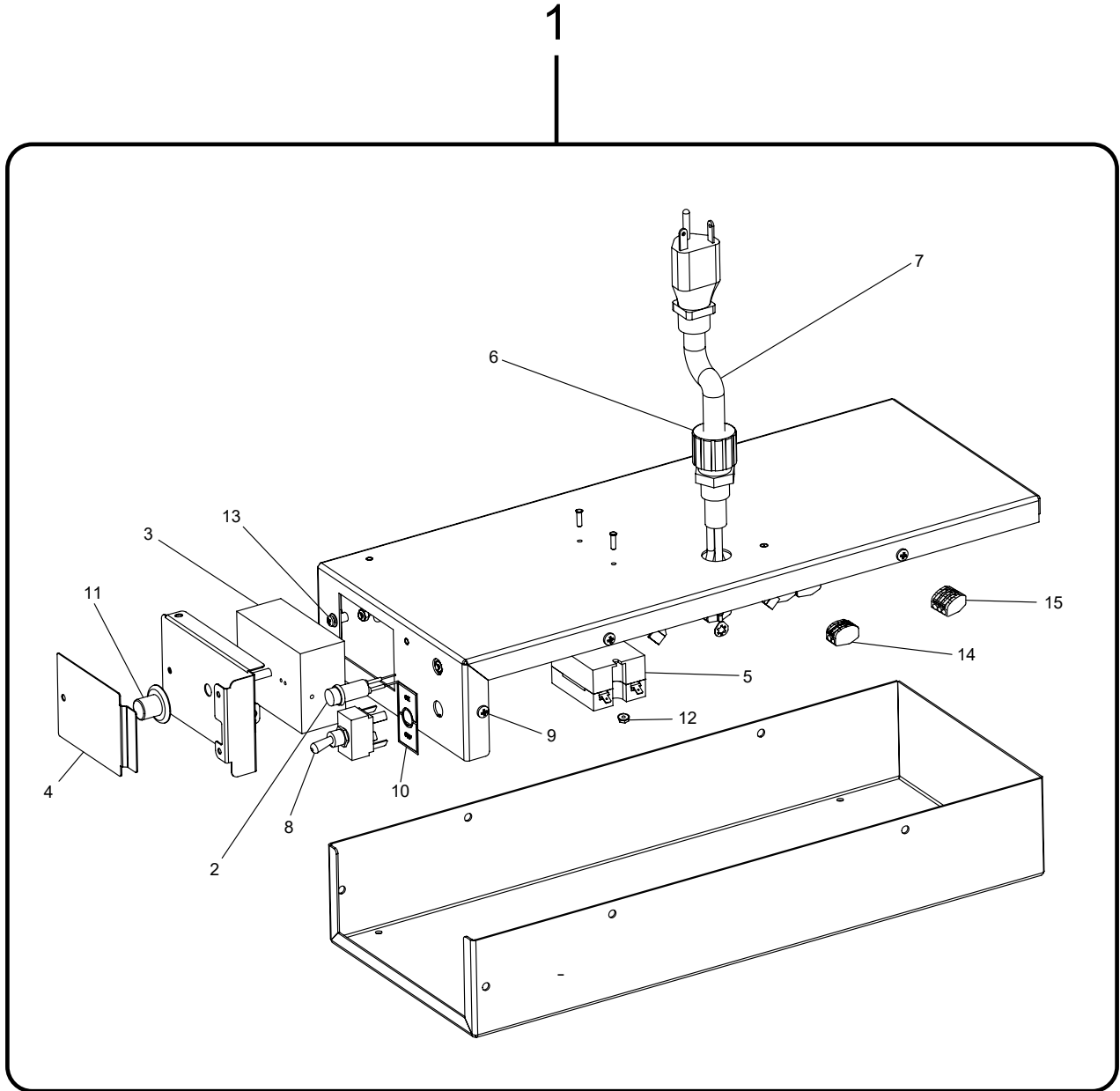
CRISPY STATION 36 - SINGLE SIDE AND DUAL SIDE UNITS



CRISPY STATION 36 - SINGLE SIDE AND DUAL SIDE UNITS

Item	Part #	Description	Qty 36-S-GEN	Qty 36-S-DQ	Qty 36-D-DQ
1	DQ990287	DQ Fry, Pc Timer Mount Bracket		1	1
2	DQ-FRY-TOWER-REAR	DQ Fry Tower Assembly, Rear (DQ Right Side Control & Dual Side Units)		1	1
3	DQ-FRY TOWER-FRONT	DQ Fry Tower Assembly, Front (DQ Left Side Control & Dual Side Units)		1	1
4	E890073K	Service Part, 36"Crispy Station Control Box Assembly	1	1	1
5	DQ990145	36" Fry Dump Heat Sheild, Keyway	2	2	2
6	E890085	36" Back Panel (Single Side Units Only)	1	1	
7	E890079	36" Top Panel (General Market Units, Holes for Right Side Control)	1		
	E890051	36" Top Panel (DQ Units, Holes for Right Side Control)		1	1
	DQ990220	36" Top Panel (DQ Units, Holes for Left Side Control)		1	1
8	218940	Insulation, Mineral Wool	1	1	1
9	E890074	36" Top Filler Panel	1	1	1
10	UGAL-30D (HATCO Part #)	HEATER, ULTRA-GLO 30" UGAL-30D, 120V (Replacement Heater Must be Obtained from Hatco Corp)	1	1	1
11	213390	Carriage Bolt, 10-24 x 1/2" SS	8	8	8
12	E890064	Heater Shelf Mount, Crispy Station	2	2	2
13	E890065	Heater Mount, Crispy Station	2	2	2
14	E990204	Right Upright, Dual Bottom, Double	1	1	1
15	E890203	Left Upright, Dual Bottom, Double	1	1	1
16	E990207	Dual Fry Basket, Crispy Station 36	1	1	1
17	E990125	Staging Shelf		1	1
18	E890076	Divider, Fry Basket, Crispy Station 36	3	3	3
19	E990202	Fry Dump Top, Crispy Station 36	1	1	1
20	E990109	Fry Dump, Pull Out Drawer	1	1	1
21	212126	Connector, 90 Degree	1	1	1
22	212023	Bushing, HEYCO SB-875-11	1	1	1
23	E990124	Drip Tray 36	1	1	1

CRISPY STATION 36 - CONTROL BOX ASSEMBLY



CRISPY STATION 36 - CONTROL BOX ASSEMBLY

Item	Part #	Description	Qty 36-S-GEN	Qty 36-S-DQ	Qty 36-D-DQ
1	E890073K	Service Part, 36"Crispy Station Control Box Assembly	1	1	1
2	212069	Bulb, 250V Pilot Red	1	1	1
3	522058	Switch, Electronic Infinite	1	1	1
4	E990173	Cover Plate	1	1	1
5	177573	Relay, Solid State 50A DC Input	1	1	1
6	212117	Strain Relief, with 1/2" Locknut	1	1	1
7	222304	Power Cord, NEMA 5-20P, 20A 125V	1	1	1
8	522294	Toggle Switch, 20A 2HPDP ON-ON	1	1	1
Not Shown	ELC0335	Harness, Wiring Crispy Station	1	1	1
Not Shown	ELC0336	Harness, Wiring Crispy Station	1	1	1
9	213064	Screw, 10-24 x 1/2" TCS RD H	6	6	6
10	218965	Plate, ON-OFF	1	1	1
11	222289	Knob, Turn, HATCO	1	1	1
12	154219	Nut, KEPS 6-32 HEX ZP	2	2	2
13	213396	Screw, 8-32 x 1/2" PPH PATCH TC TYPE "F", 410 SS	1	1	1
14	155811	Connector, WAGO 222-412, 2 Conductor	4	4	4
15	212107	Connector, WAGO 222-413, 3 Conductor	1	1	1



NOTES



Your Solutions Partner

Duke Manufacturing Company

**2305 N. BROADWAY
ST. LOUIS, MO 63102
PHONE: 314-231-1130
TOLL FREE: 1-800-735-3853
FAX: 314-231-5074
WWW.DUKEMFG.COM**