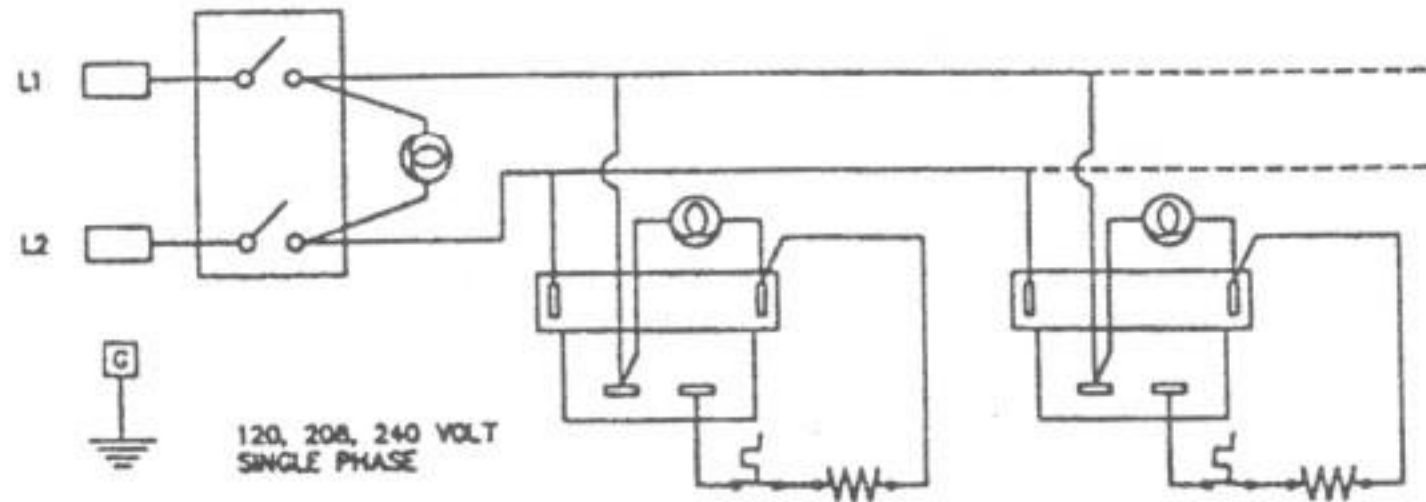


NOTE:

TWO (2) HEATED WELLS SHOWN.  
QUANTITY OF HEATED WELLS  
CAN BE FROM TWO (2) TO SIX (6).

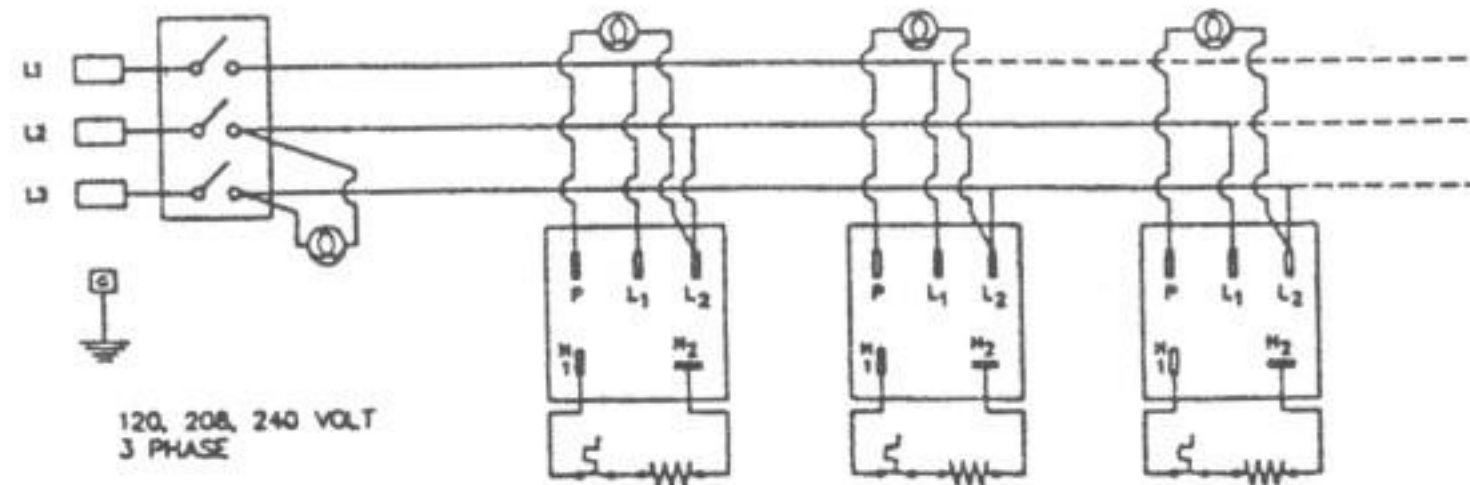
(INFINITE SWITCH MODEL)



NOTE:

TWO (2) HEATED WELLS SHOWN.  
QUANTITY OF HEATED WELLS  
CAN BE FROM TWO (2) TO SIX (6).

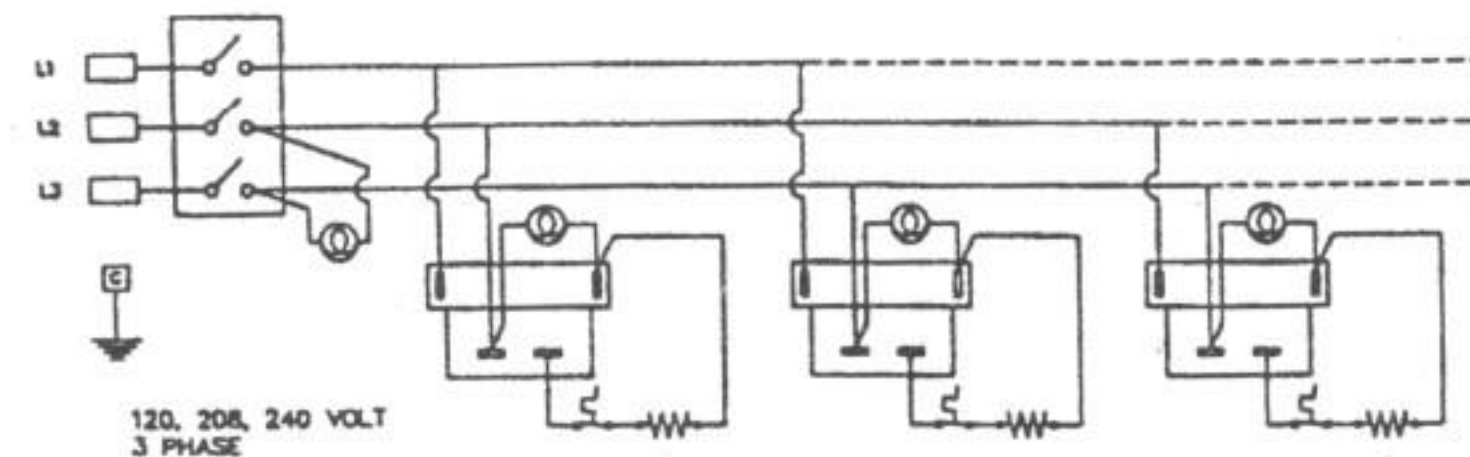
(THERMOSTAT SWITCH MODEL)



NOTE:

THREE (3) HEATED WELLS SHOWN.  
QUANTITY OF HEATED WELLS  
CAN BE FROM TWO (2) TO SIX (6).

(INFINITE SWITCH MODEL)



NOTE:

THREE (3) HEATED WELLS SHOWN.  
QUANTITY OF HEATED WELLS  
CAN BE FROM TWO (2) TO SIX (6).

(THERMOSTAT SWITCH MODEL)