



Your Solutions Partner

Illustrated Parts List

ELECTRIC OPEN WELL FOOD WARMERS

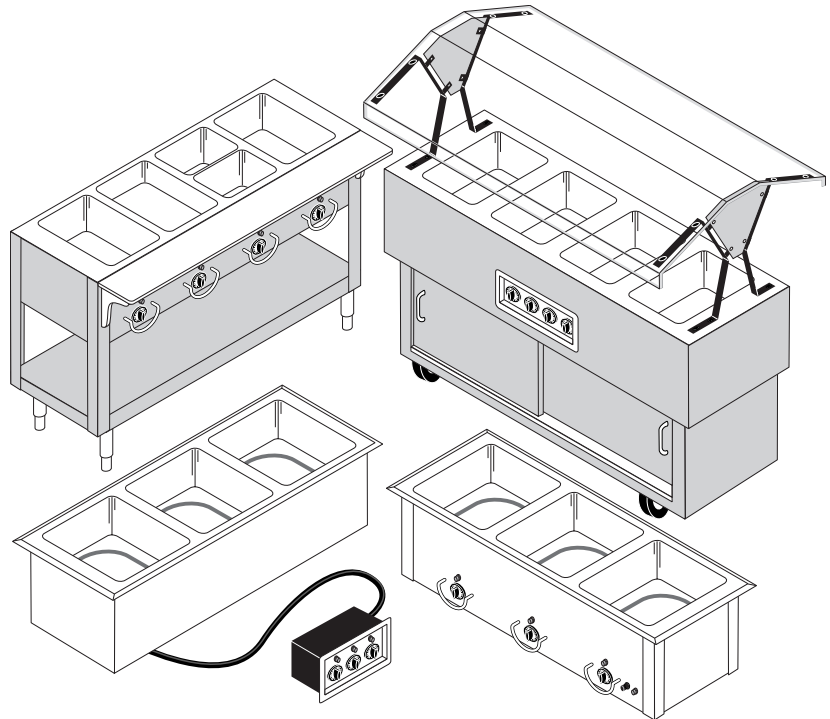
Aerohot

E302 – E305

EP302 – EP305

ADI1E – ADI5E

ASI1E – ASI5E



Economate

OPAH2 – OPAH4

DPAH-2HF - DPAH-4HF

*This manual is Copyright © 2022 Duke Manufacturing Company. All rights reserved.
Reproduction without written permission is prohibited. Duke is a registered
trademark of the Duke Manufacturing Company.*

Duke Manufacturing Company

**2305 N. Broadway
St. Louis, MO 63102
Phone: 314-231-1130
Toll Free: 1-800-735-3853
Fax: 314-231-5074
www.dukemfg.com**

TABLE OF CONTENTS

How to Determine Manufacture Date from Duke Equipment Serial Numbers2

AEROHOT4

 Table: PL-1 Aerohot4

 Figure: PL-1 Aerohot E and EP Models5

 Figure: PL-1 Aerohot Drop-In Models ADI 1E - 5E6

 Figure: PL-1 Aerohot Slide-In Models ASI 1E - 5E7

ECONOMATE.....8

 Table: PL-2 Economate OPAH2 – OPAH48

 Figure: PL-2 Economate OPAH2 – OPAH49

Types of Hot Food Units and Sample Label 10

AEROHOT ELECTRIC OPEN WELL FOOD WARMERS – PARTS LIST

Item	Qty	Part #	Description
1	Ar	5580-2	120v Infinite Switch, Bracket, Screws & Palnut
	Ar	5578-2	208v Infinite Switch, Bracket, Screws & Palnut
	Ar	5579-2	240v Infinite Switch, Bracket, Screws & Palnut
	Ar	212081	Electric Thermostat
(See "Types Of Hot Food Units" & "Sample Label" On Following Pages, To Help Determine Infinite Switch Vs Thermostat)			
2	Ar	223592	Infinite Switch Knob
	Ar	223590	Thermostat Knob
3	Ar	215550	Pilot Light, Amber (115v)
	1	215555	Pilot Light, Amber (230v)
4	Ar	214405	Knob Guard
5	1	212113	Switch, Toggle, 1 Phase,
	1	212001	Switch, Toggle, 1 Phase, 40a
	1	212100	Switch, Toggle. 3 Pole, 3 Phase, 220v
6	Ar	212942	Element, Dome, 118v, 500 Watt
	Ar	212943	Element, Dome, 118v, 750 Watt
	Ar	212944	Element, Dome, 208v, 750 Watt
	Ar	212945	Element, Dome, 236v, 750 Watt
	Ar	212946	Element, Dome, 208v, 1000 Watt
	Ar	212947	Element, Dome, 236v, 1000 Watt
	Ar	212948	Element, Dome, 115v, 1000 Watt
	Ar	212409	Element, Dome, 208v, 500 Watt
	Ar	212947	Element, Dome, 236v, 1000 Watt
	Ar	212410	Element, Dome, 236v, 500 Watt
	Ar	230298	Sealed Well Element Kit-120v, 470w (Ref-222928 Element)
	Ar	230299	Sealed Well Element Kit-120v, 780w (Ref-222932 Element)
	Ar	230300	Sealed Well Element Kit-208v, 750w (Ref-222933 Element)
Ar	230301	Sealed Well Element Kit-208/240v, 900/1200w (Ref-222934 Element)	
Ar	230302	Sealed Well Element Kit-240v, 750w (Ref-222935 Element)	
7	Ar	06-5013-0032	Element Support Clip (Dome Elements, Ref-2321061152)
8	1	215301	Poly Carving Board, 1/2" X 7" X 30-3/8" (2 Section, E & Ep Models)
	1	215302	Poly Carving Board, 1/2" X 7" X 44-3/8" (3 Section, E & Ep Models)
	1	215303	Poly Carving Board, 1/2" X 7" X 58-3/8" (4 Section, E & Ep Models)
	1	215304	Poly Carving Board, 1/2" X 7" X 72-3/8" (5 Section, E & Ep Models)
9	1	230012	Shelf, Carving Board (2 Section, E & Ep Models)
	1	230013	Shelf, Carving Board (3 Section, E & Ep Models)
	1	230014	Shelf, Carving Board (4 Section, E & Ep Models)
	1	230015	Shelf, Carving Board (5 Section, E & Ep Models)
10	Ar	215574	Mounting Bracket, 2, 3 & 4 Section Carving Board (E & Ep Models)
	Ar	215575	Mounting Bracket, 5 Section Carving Board (E & Ep Models)
11	4	215587	Kit, Legs, Plastic Feet & Leg Angles (E Models)
	1	Fca-Kit-New	Kit, Swivel Casters & Black Handle (Ep Models)
12	1	214825	Black Handle 6" (Ep Models)
Not Shown	Ar	154048	Strainer, Drain

Table: PL-1 Aerohot

AEROHOT E AND EP MODELS

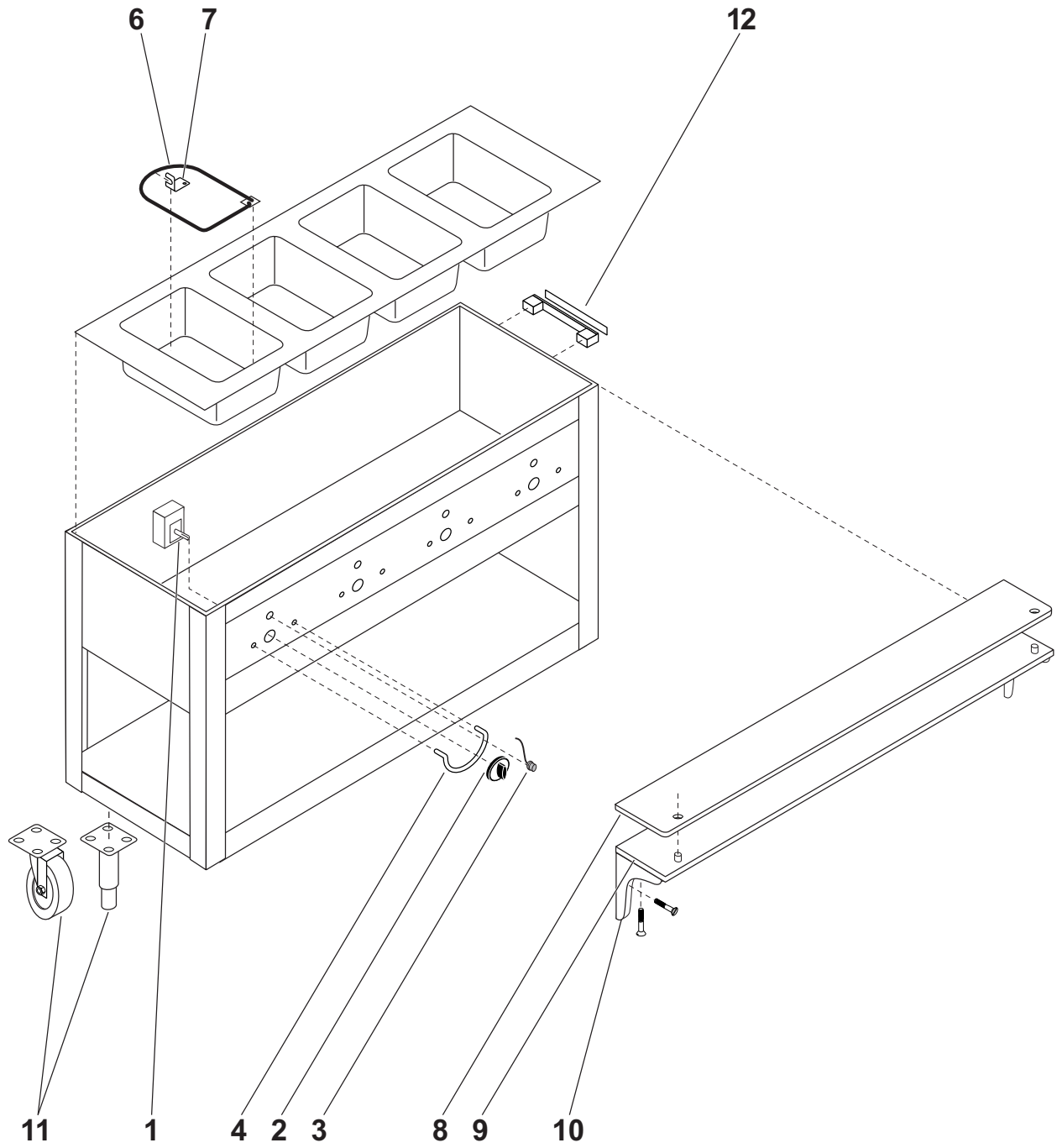
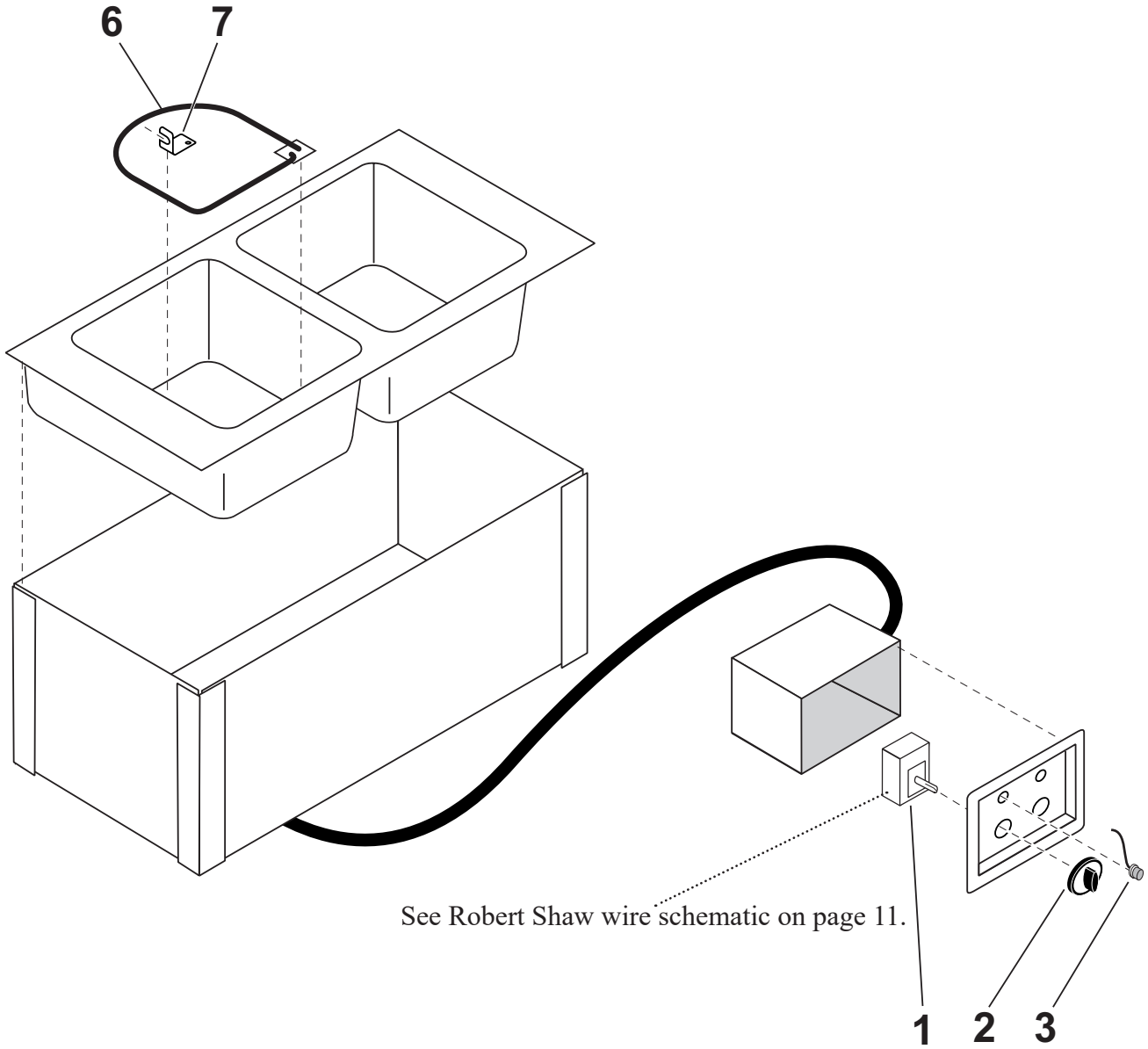


Figure: PL-1 Aerohot



AEROHOT DROP-IN MODELS (ADI-1E THROUGH ADI-5E)



See Robert Shaw wire schematic on page 11.

Figure: PL-1 Aerohot Drop-In

AEROHOT SLIDE-IN MODELS (ASI-1E THROUGH ASI-5E)

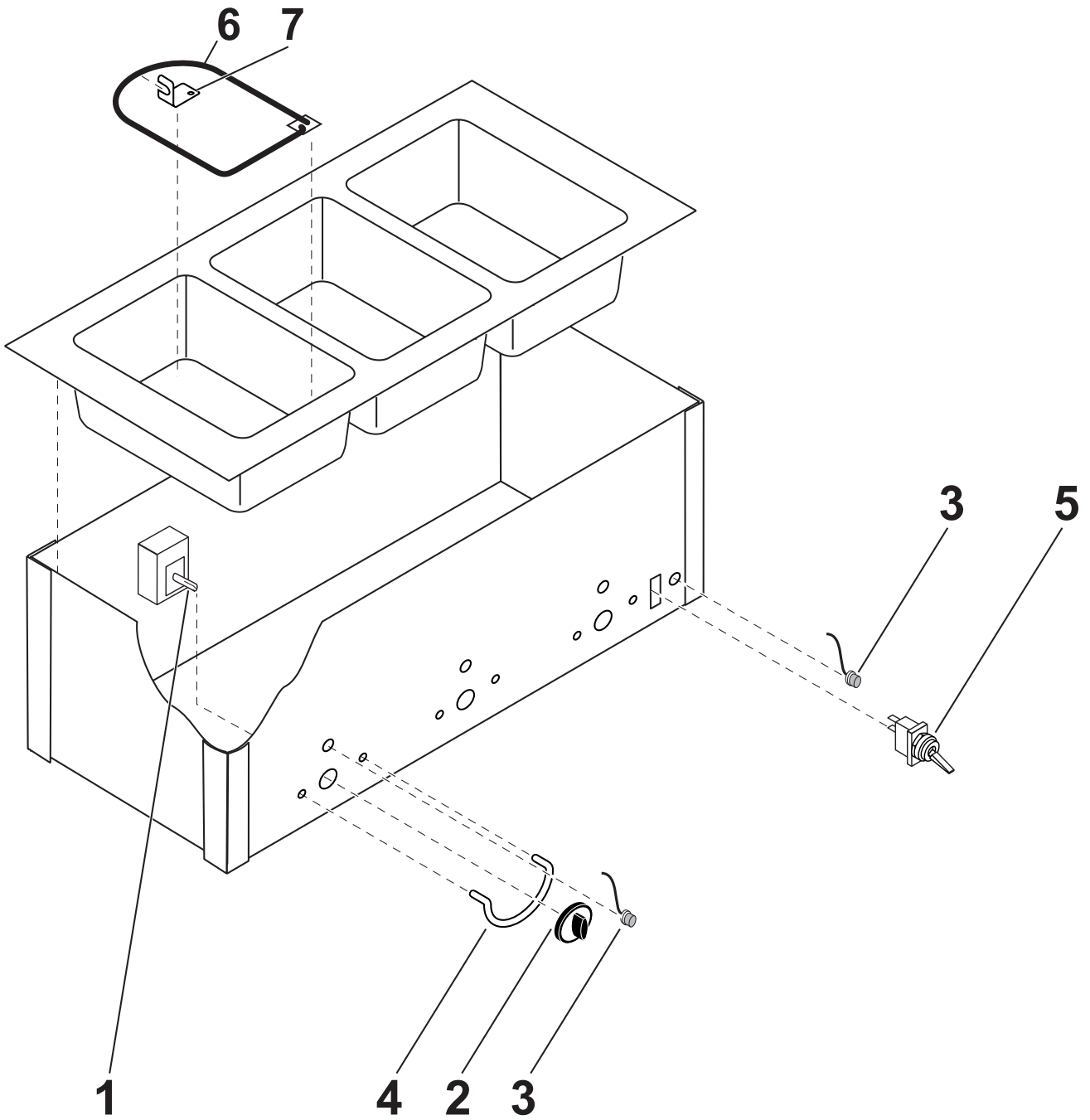


Figure: PL-1 Aerohot Slide-In



ECONOMATE ELECTRIC OPEN WELL FOOD WARMERS – PARTS LIST

Item	Quantity	Part Number	Description	
1	Ar	5580-2	120v Infinite Switch, Bracket, Screws & Palnut	
	Ar	5578-2	208v Infinite Switch, Bracket, Screws & Palnut	
	Ar	5579-2	240v Infinite Switch, Bracket, Screws & Palnut	
2	Ar	223592	Infinite Swtch Knob	
3	Ar	212942	Element, Dome, 118v, 500 Watt	
	Ar	212943	Element, Dome, 118v, 750 Watt	
	Ar	212944	Element, Dome, 208v, 750 Watt	
	Ar	212945	Element, Dome, 236v, 750 Watt	
	Ar	212948	Element, Dome, 115v, 1000 Watt	
	Ar	212409	Element, Dome, 208v, 500 Watt	
	Ar	212947	Element, Dome, 236v, 1000 Watt	
	Ar	212410	Element, Dome, 236v, 500 Watt	
	4	Ar	06-5013-0032	Element Support Clip
	5	1	Fca-Kit-New	Kit, Swivel Casters & Black Handle
6	1	213810	Canopy 30 3/8"	
	1	213811	Canopy 44 3/8"	
	1	213812	Canopy 58 3/8"	
7	2	230374	Canopy Bracket Lh	
8	2	230375	Canopy Bracket Rh	
9	1	230236	Switch Control Panel – 2 Pan Unit	
	1	230237	Switch Control Panel – 3 Pan Unit	
	1	230238	Switch Control Panel – 4 Pan Unit	
Not Shown	Ar	G1-Liner-Elec-2	Galvanized Well Liner	
Not Shown	Ar	Ss-Liner-Elec-2	Stainless Steel Well Liner	

Table: PL-2 Economate

ECONOMATE

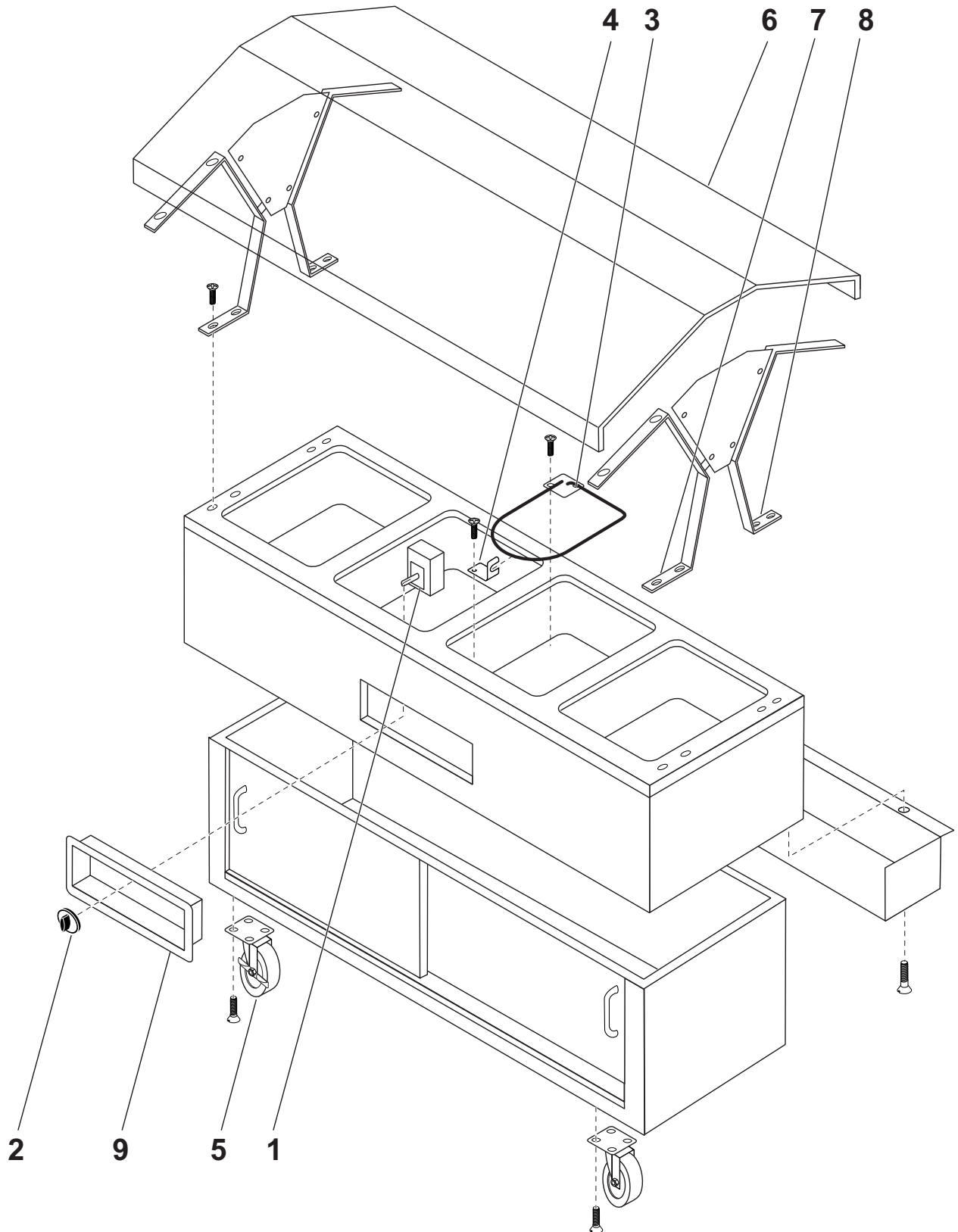


Figure: PL-2 Economate

TYPES FOR HOT FOOD UNITS

	ELEMENTS	WIRING	CONTROLS	PILOTS
Element Types:				
Figure 8	F	--	--	--
Loop	C	--	--	--
"U" Shape	U	--	--	--
Dome	D	--	--	--
"W" Shaped APW	A	--	--	--
"W" Shaped C-Top Food WRM (750)	W	--	--	--
Serpentine C-Top Food WRM (1200)	S	--	--	--
Helical Super Serve (2000)	H	--	--	--
Duke (98) Sealed Well Element	I	--	--	--
Wire Harness W/ Connectors	--	C	--	--
None	--	O	--	--
Control Types:				
KA or EA Thermostats	--	--	K	--
D8 Thermostats (480)	--	--	D	--
Infinite Switch	--	--	I	--
APW T-Stat	--	--	A	--
Eliwell T-Stat (Digital)	--	--	E	--
EGO Thermostat	--	--	G	--
Pilot Lamps (1/2" Hole)	--	--	--	A
None	--	--	--	O
In T-Stat	--	--	--	I
In Rocker Switch	--	--	--	S

SAMPLE LABEL



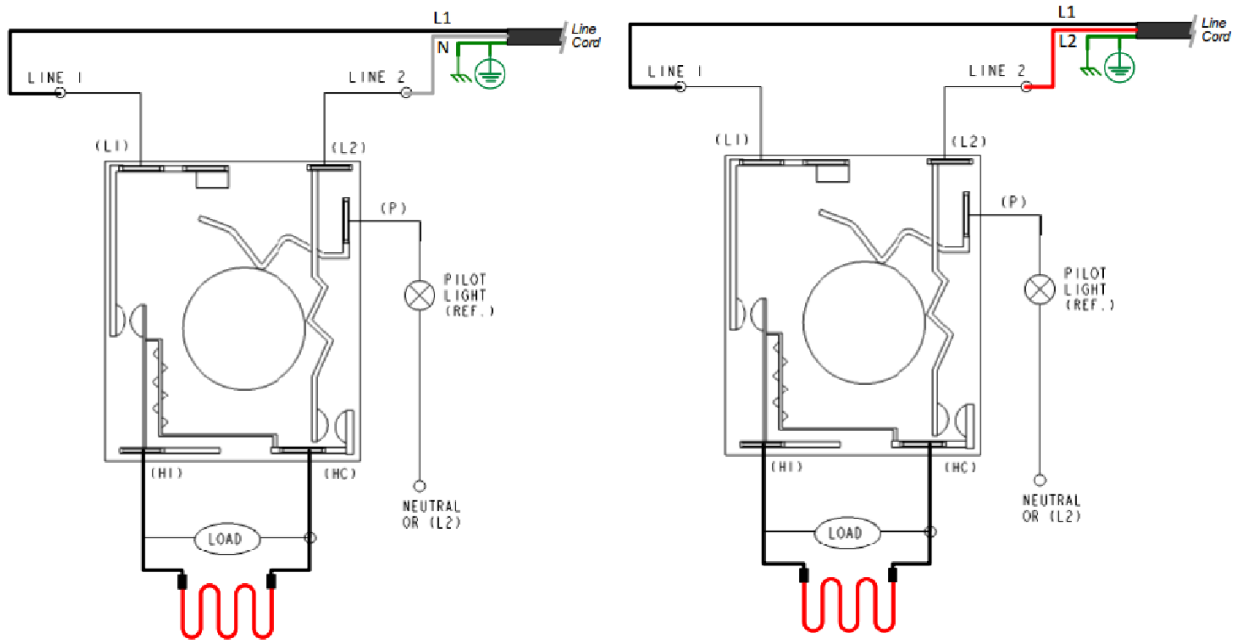
- Thurmaduke Sealed Well Type – ICKA
- Thurmaduke Exposed Element Type – DCKA
- Aerohot Sealed Well Type – ICIA
- Aerohot Exposed Element Type – DCIO

Notes:

Robertshaw Infinite Switch Wiring Diagrams

120V Robertshaw

208V/240V Robertshaw





Your Solutions Partner

Duke Manufacturing Company

**2305 N. Broadway
St. Louis, MO 63102
Phone: 314-231-1130
Toll Free: 1-800-735-3853
Fax: 314-231-5074
www.dukemfg.com**