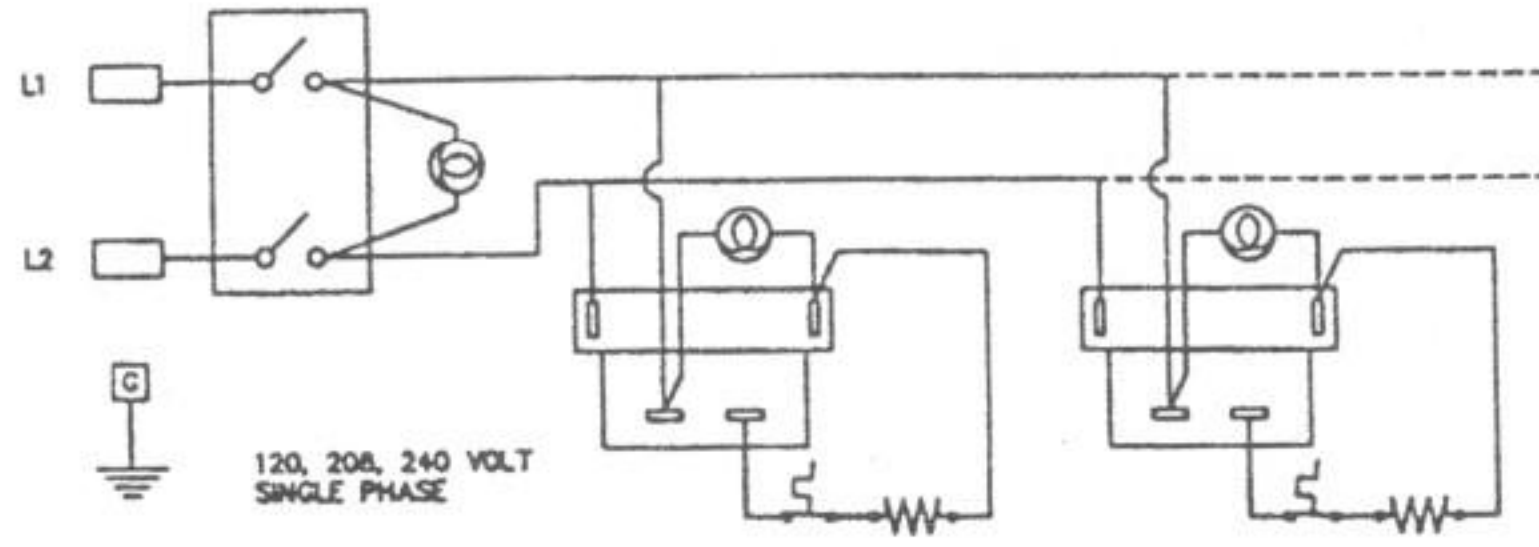


120, 208, 240 VOLT
SINGLE PHASE

NOTE:
TWO (2) HEATED WELLS SHOWN.
QUANTITY OF HEATED WELLS
CAN BE FROM TWO (2) TO SIX (6).

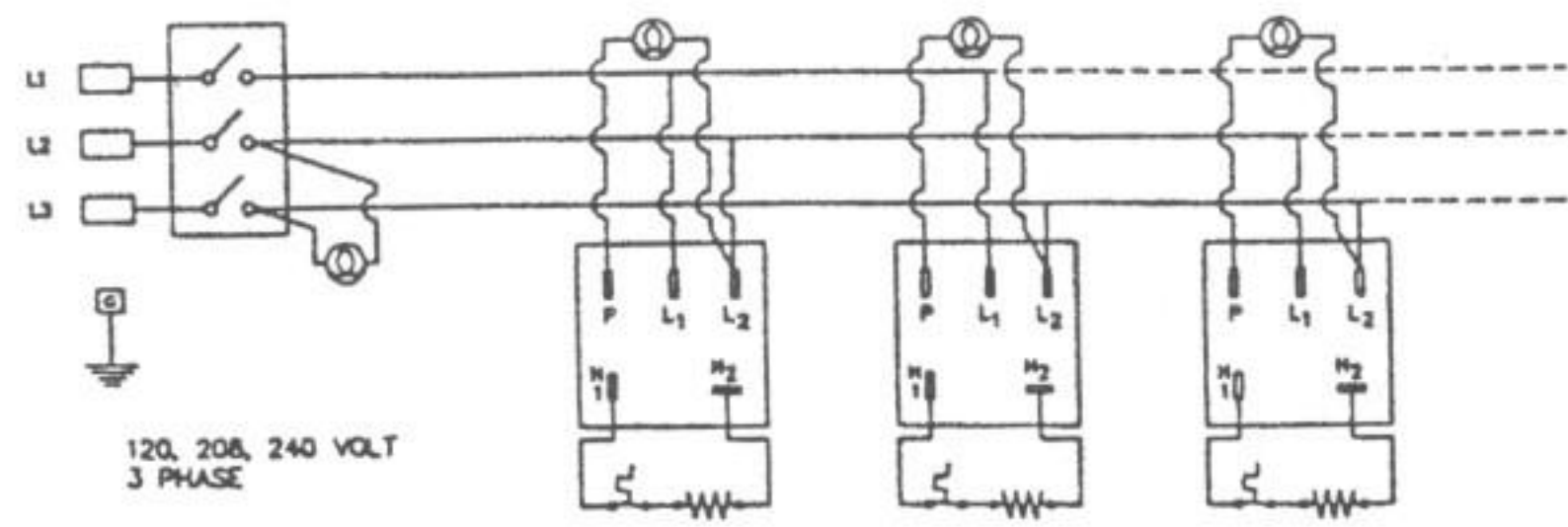
(INFINITE SWITCH MODEL)



120, 208, 240 VOLT
SINGLE PHASE

NOTE:
TWO (2) HEATED WELLS SHOWN.
QUANTITY OF HEATED WELLS
CAN BE FROM TWO (2) TO SIX (6).

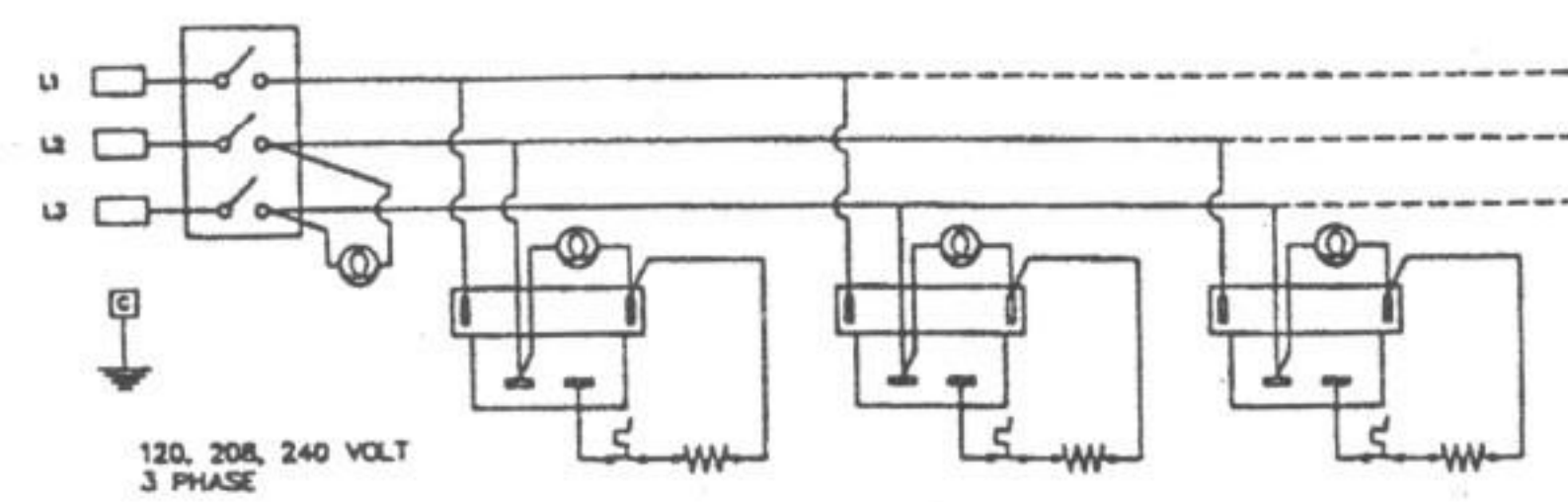
(THERMOSTAT SWITCH MODEL)



120, 208, 240 VOLT
3 PHASE

NOTE:
THREE (3) HEATED WELLS SHOWN.
QUANTITY OF HEATED WELLS
CAN BE FROM TWO (2) TO SIX (6).

(INFINITE SWITCH MODEL)



120, 208, 240 VOLT
3 PHASE

NOTE:
THREE (3) HEATED WELLS SHOWN.
QUANTITY OF HEATED WELLS
CAN BE FROM TWO (2) TO SIX (6).

(THERMOSTAT SWITCH MODEL)