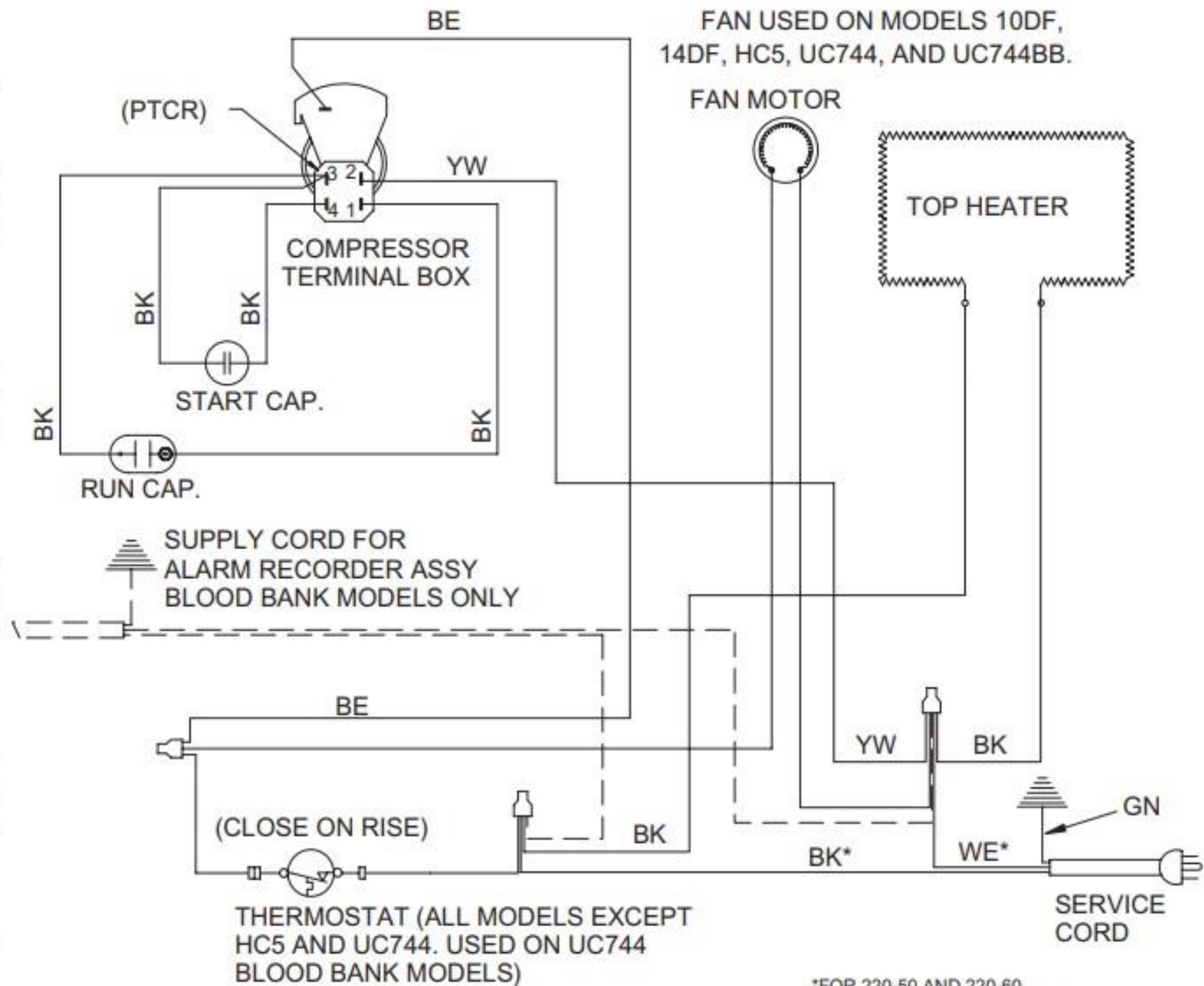


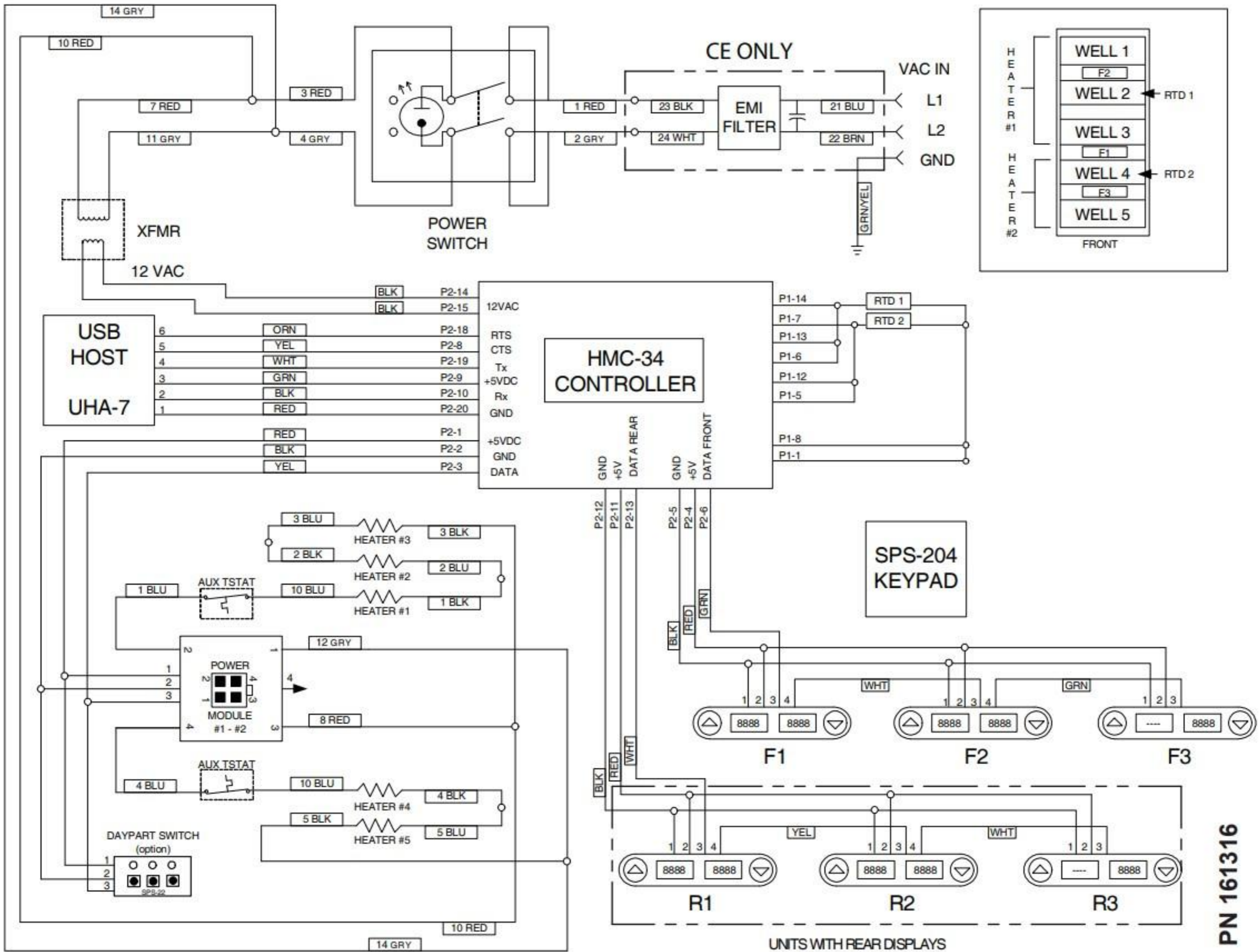
ALARM ASSEMBLY
HC5 AND STD. UC744 ONLY

SEE ELECTRICAL RATING
PLATE FOR SUPPLY VOLTAGE
AND FREQUENCY.

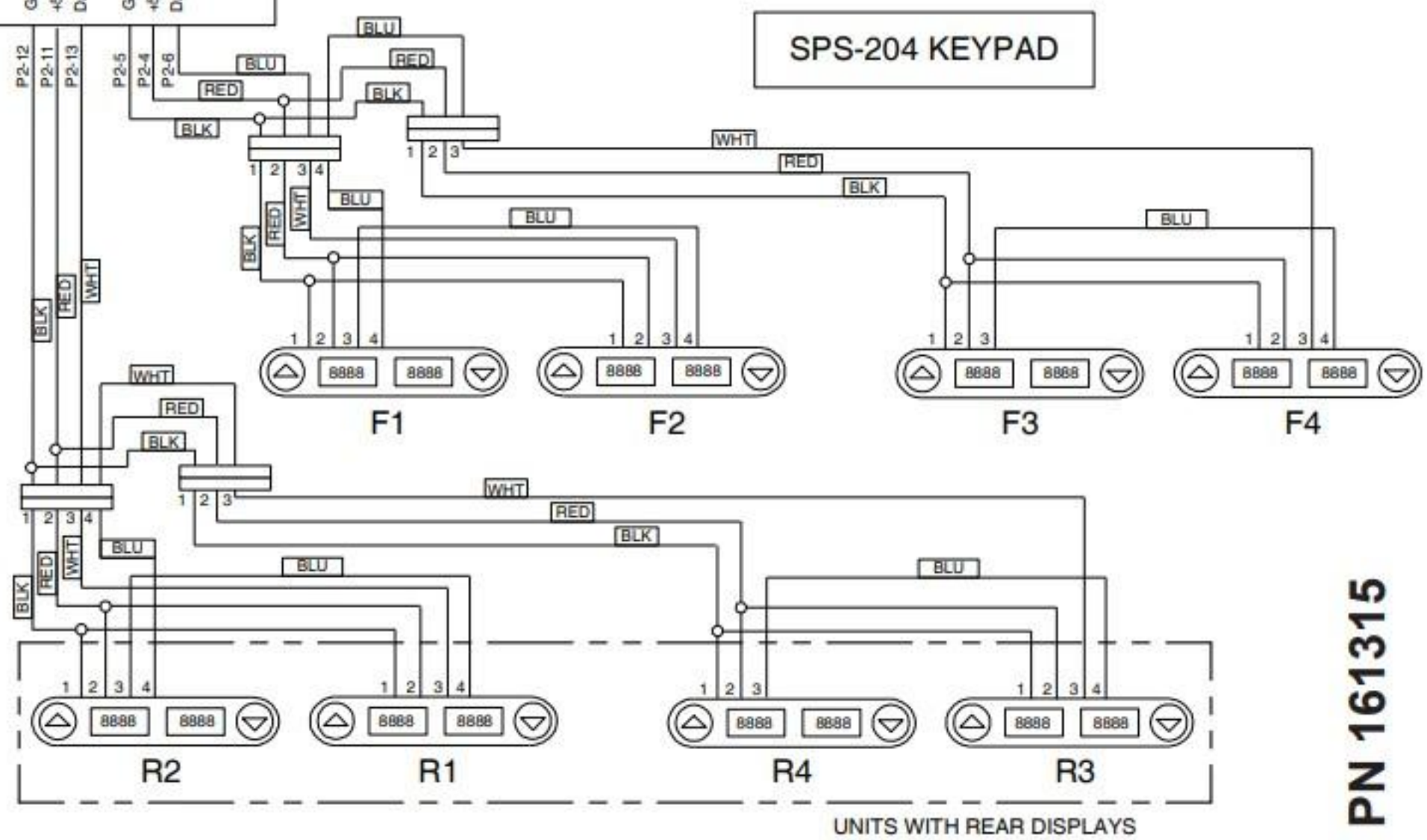
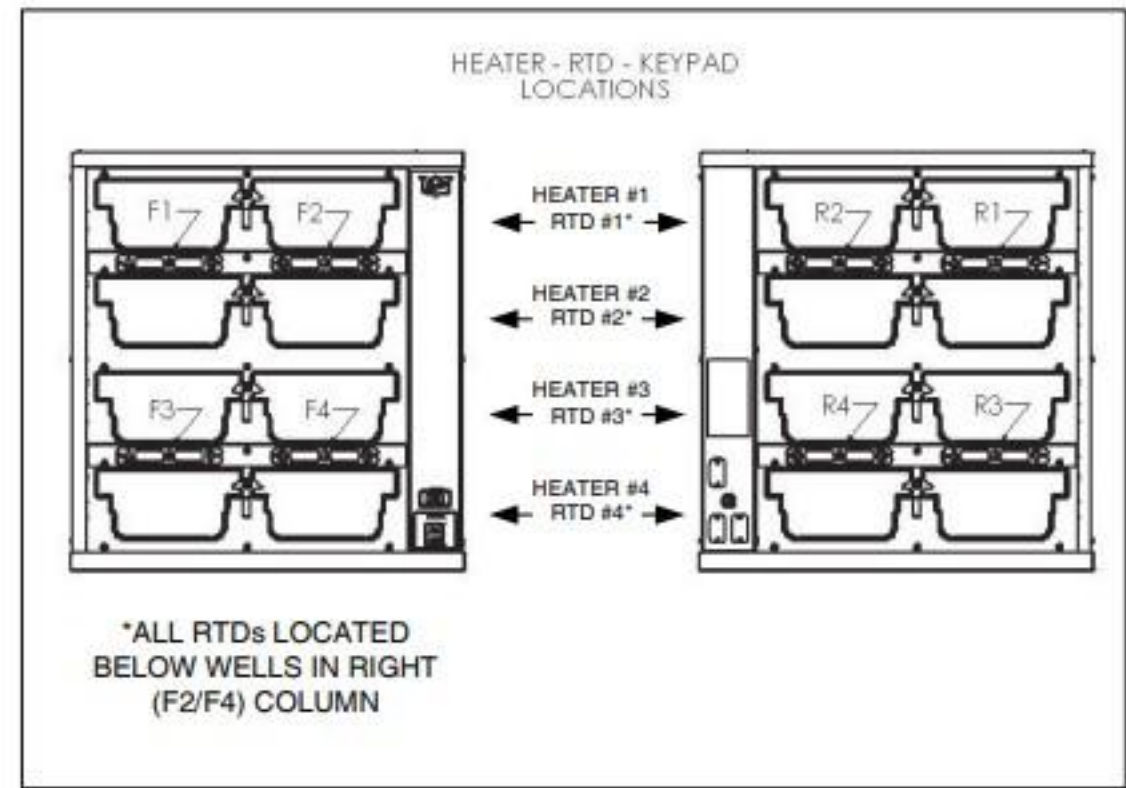
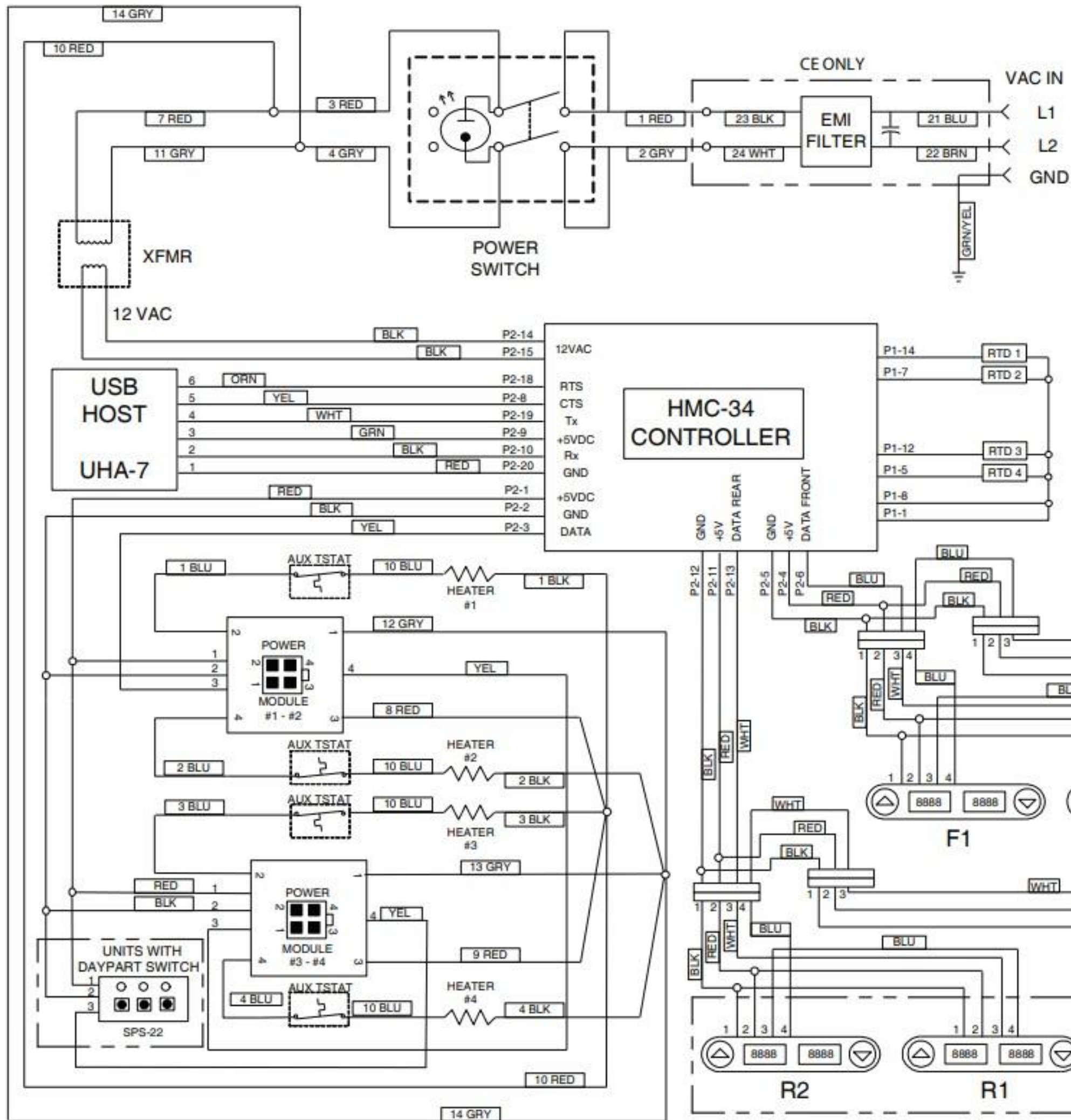


NOTE:
CABINET MUST BE GROUNDED.
USE COPPER CONDUCTORS ONLY.

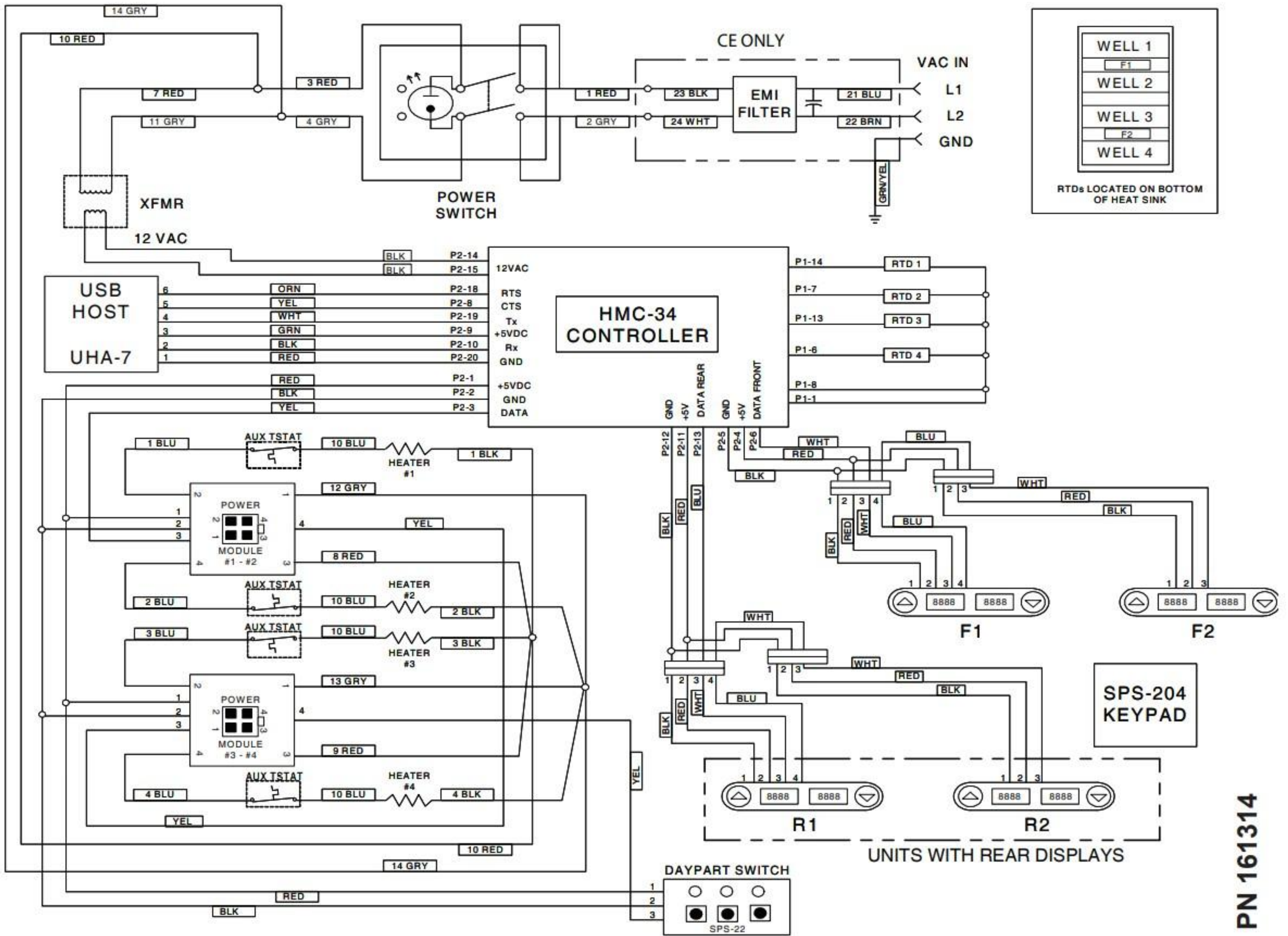
*FOR 220-50 AND 220-60
EXPORT-CONNECT THE BLUE
IN PLACE OF WHITE AND BROWN IN
PLACE OF BLACK.



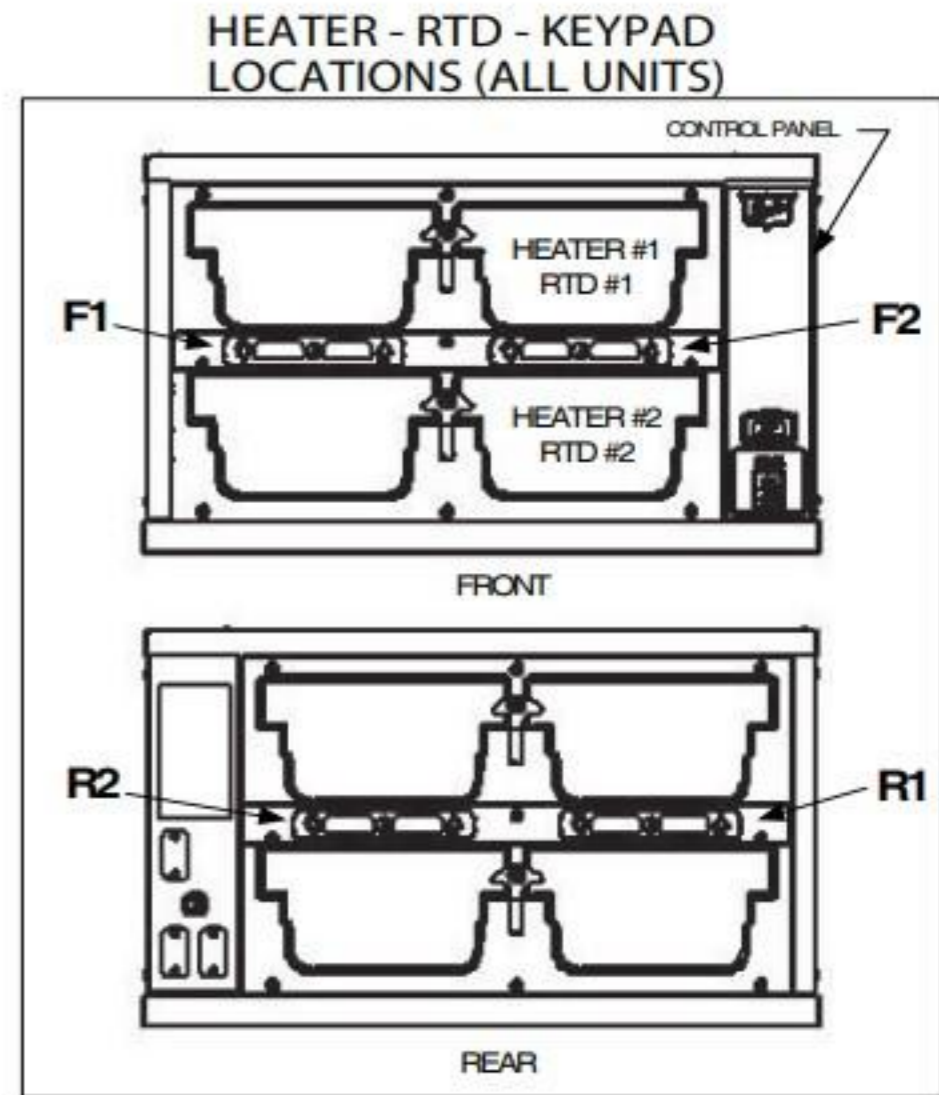
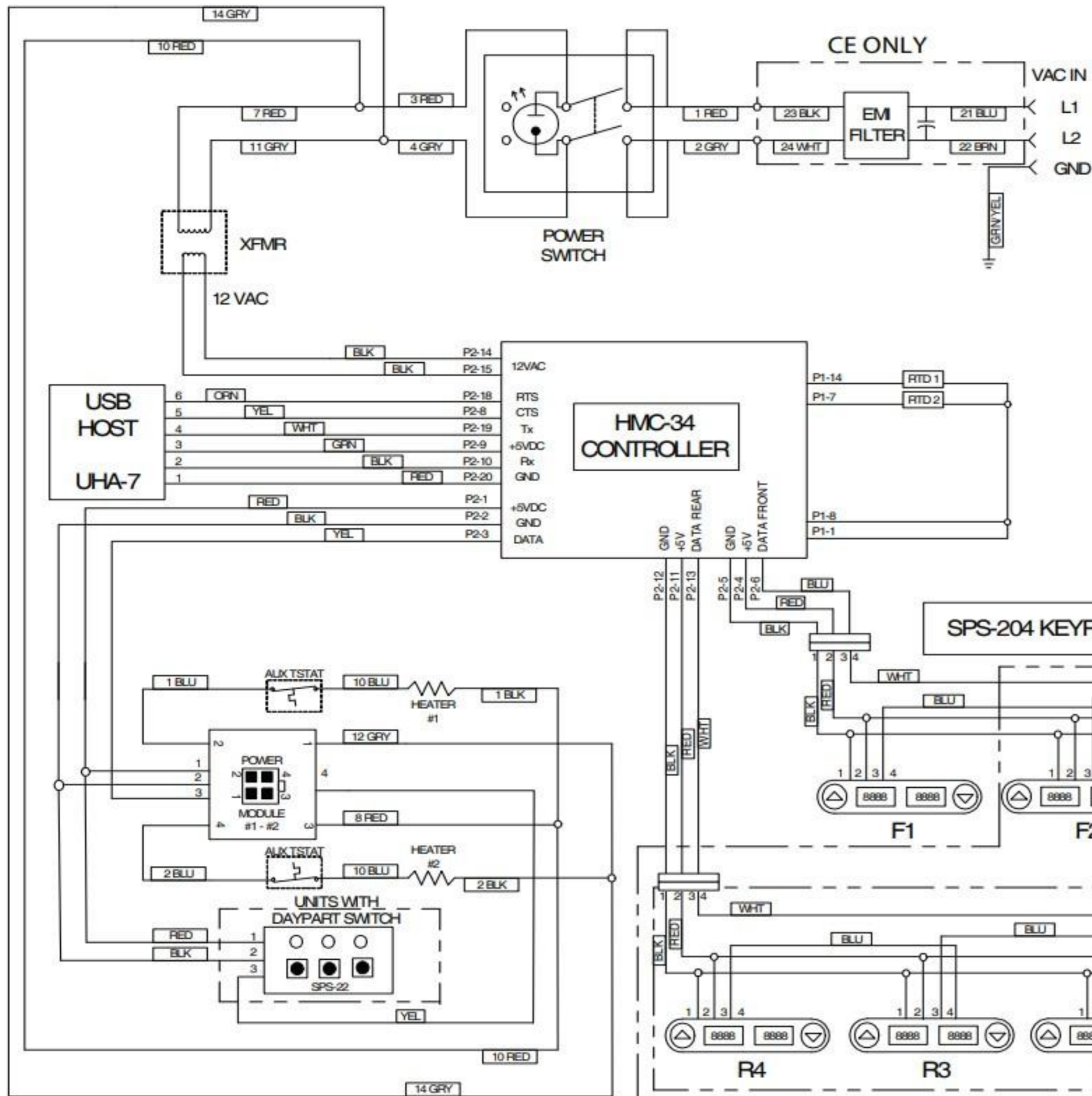
PN 161316



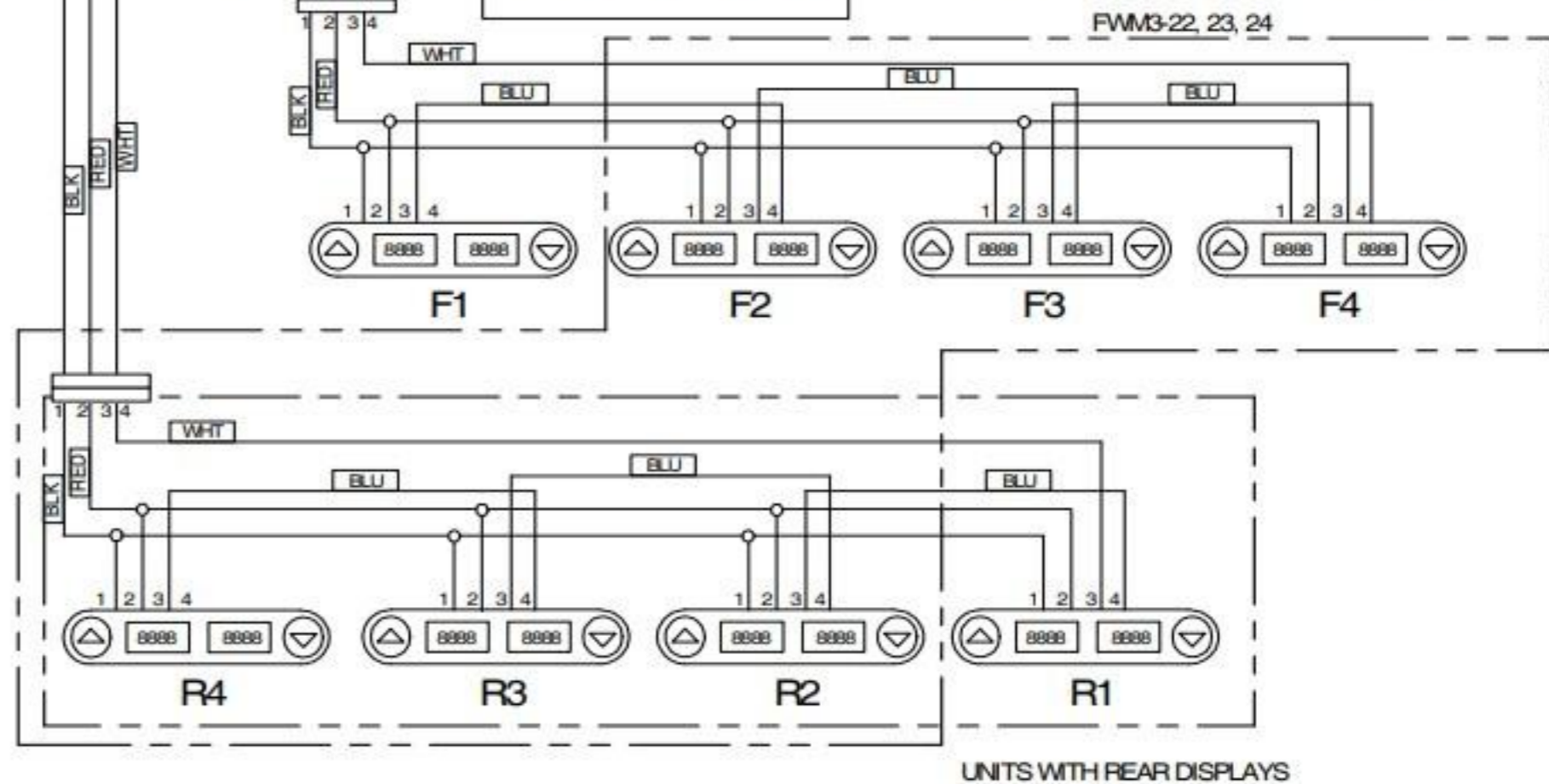
PN 161315

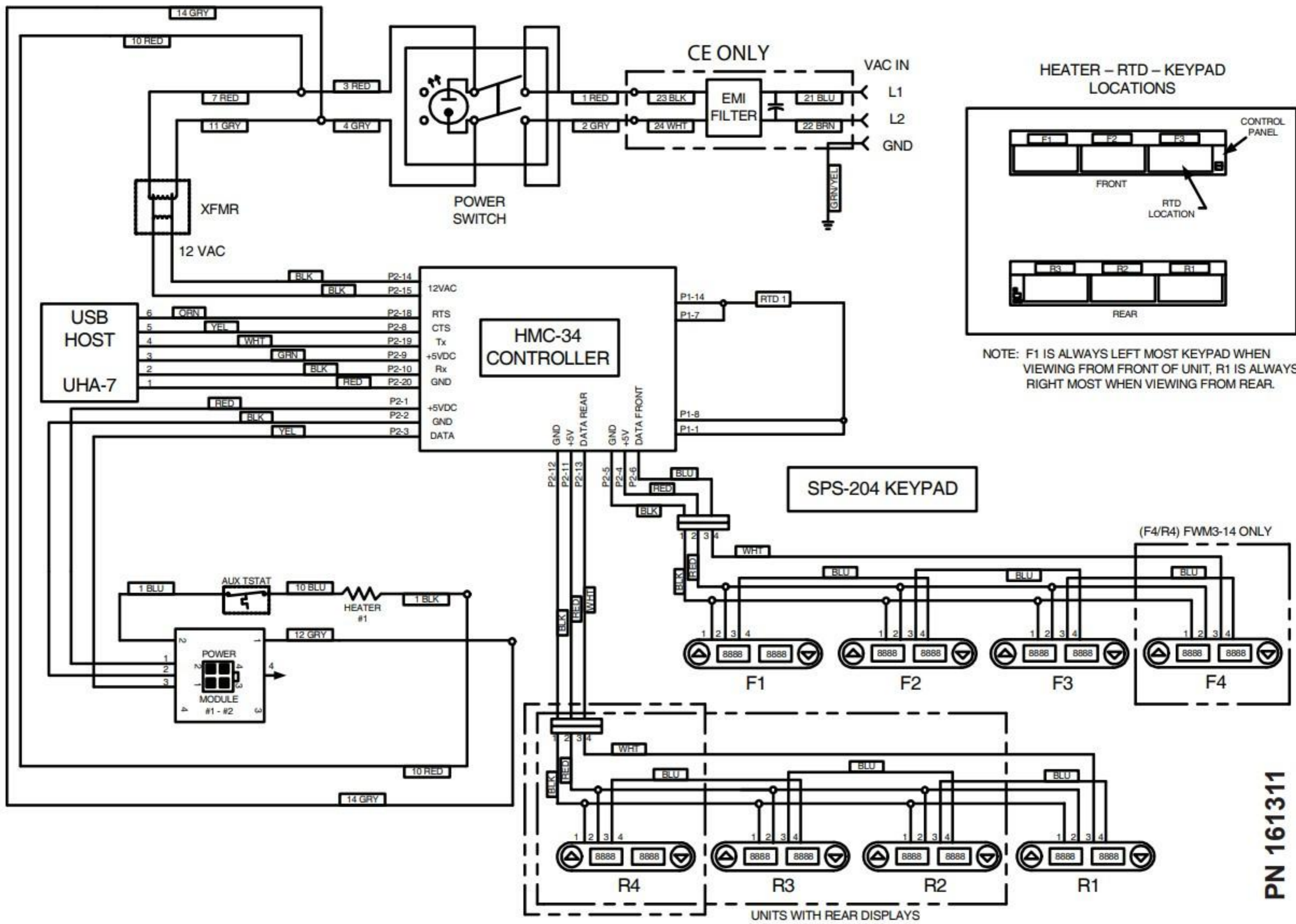


PN 161314



NOTE: F1 IS ALWAYS LEFTMOST KEYPAD WHEN VIEWING FROM FRONT OF UNIT, R1 IS ALWAYS RIGHT MOST WHEN VIEWING FROM REAR.





PN 161311