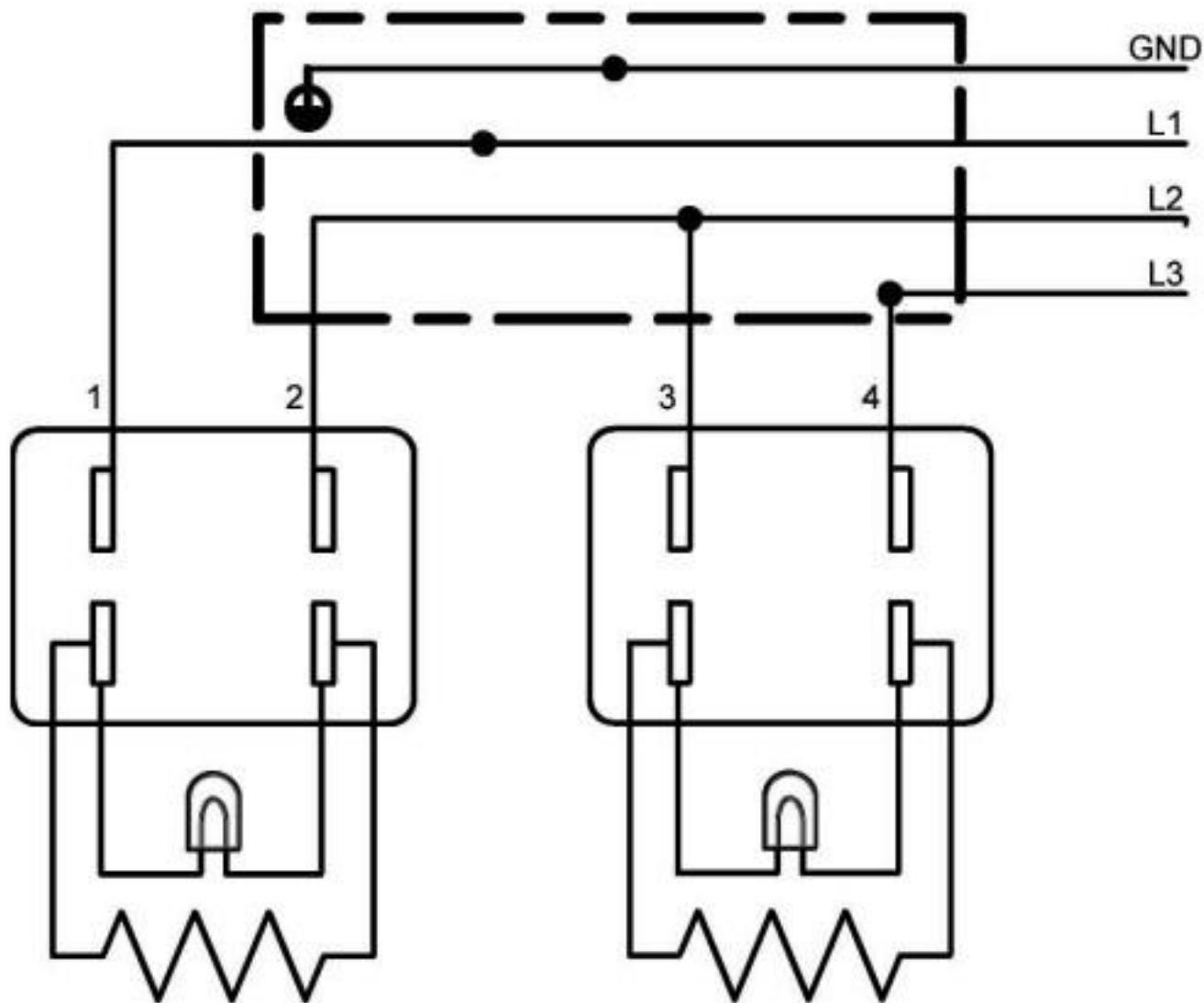
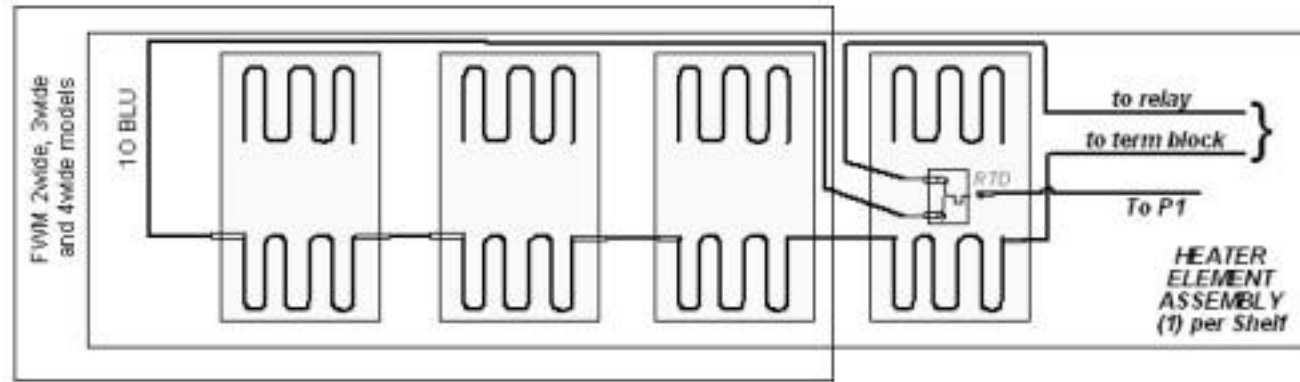


# FIELD WIRING—THREE-PHASE 208V

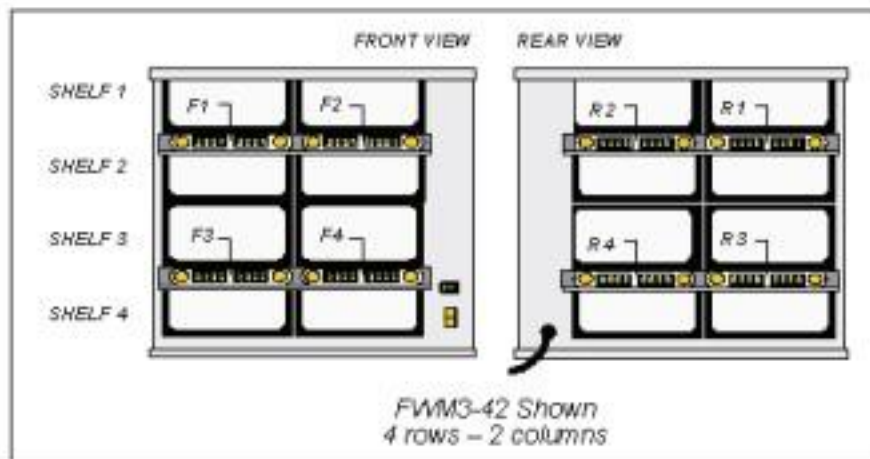
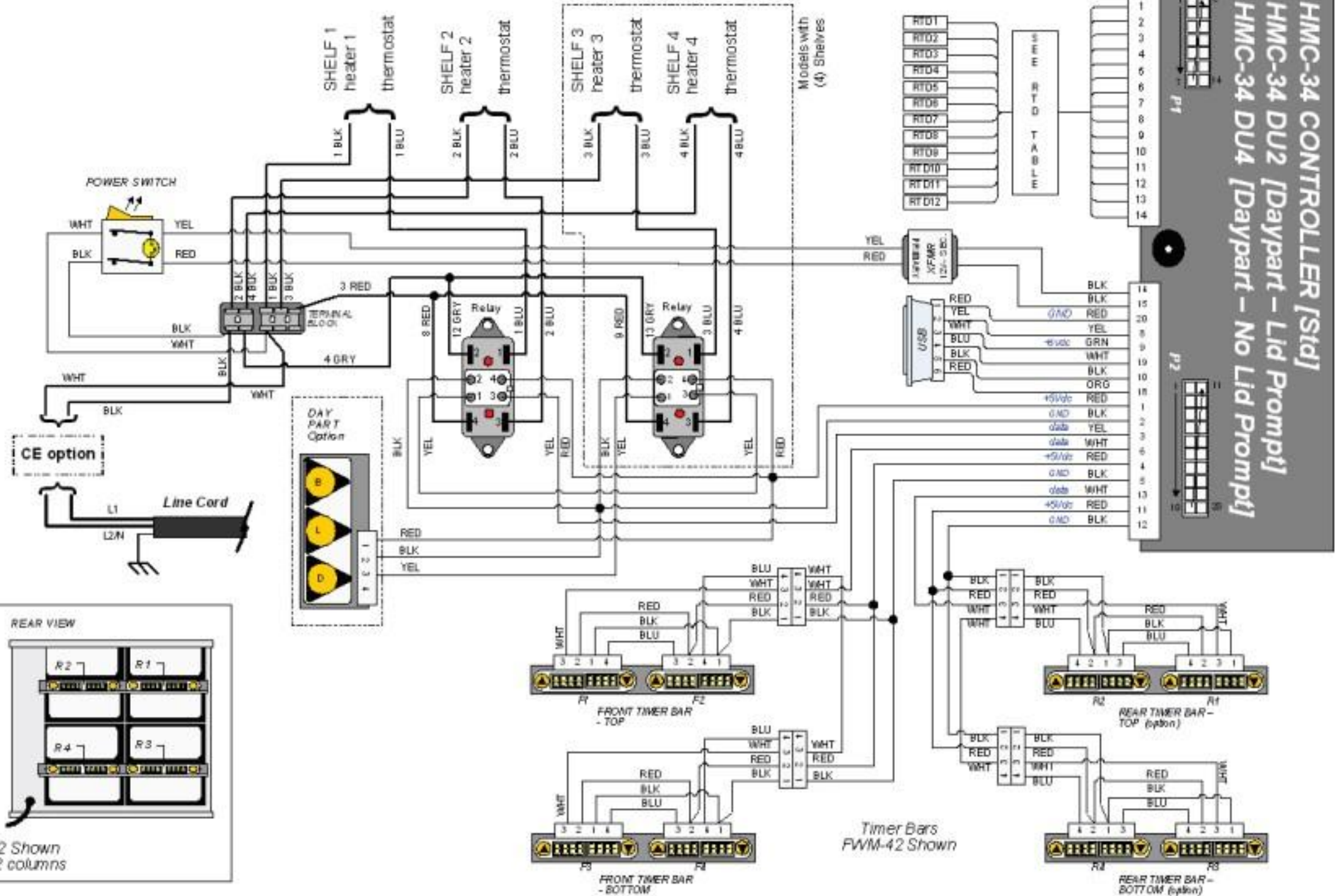
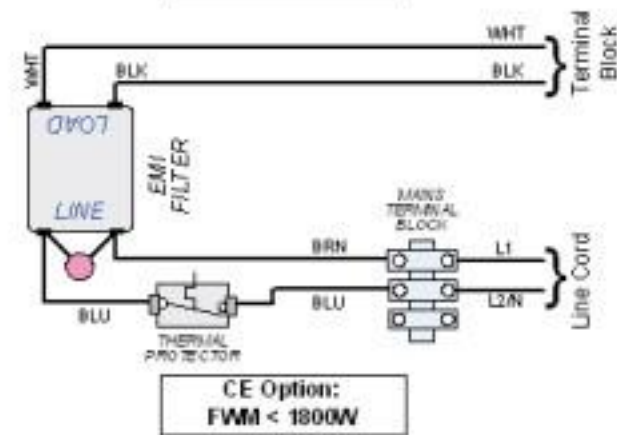
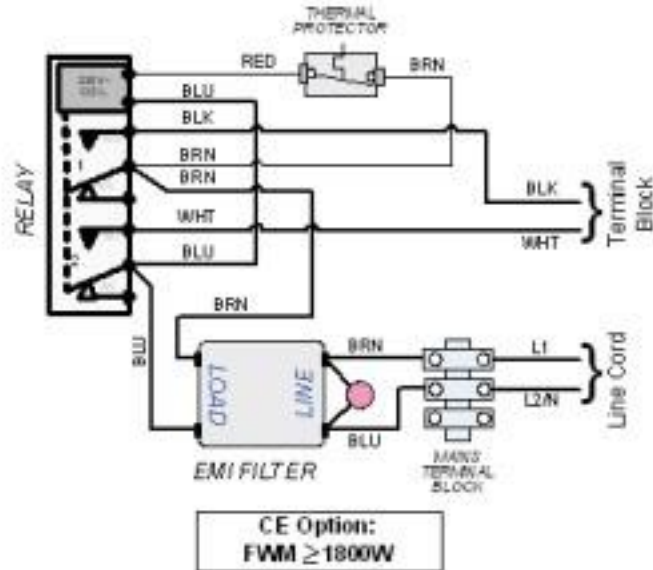


**DUKE FOOD WARMER**  
**MODEL FWM34-42, 43**  
**100/120/208/230/240 VAC**  
**50/60 HZ 1 PH.**  
**160681 REV. B**



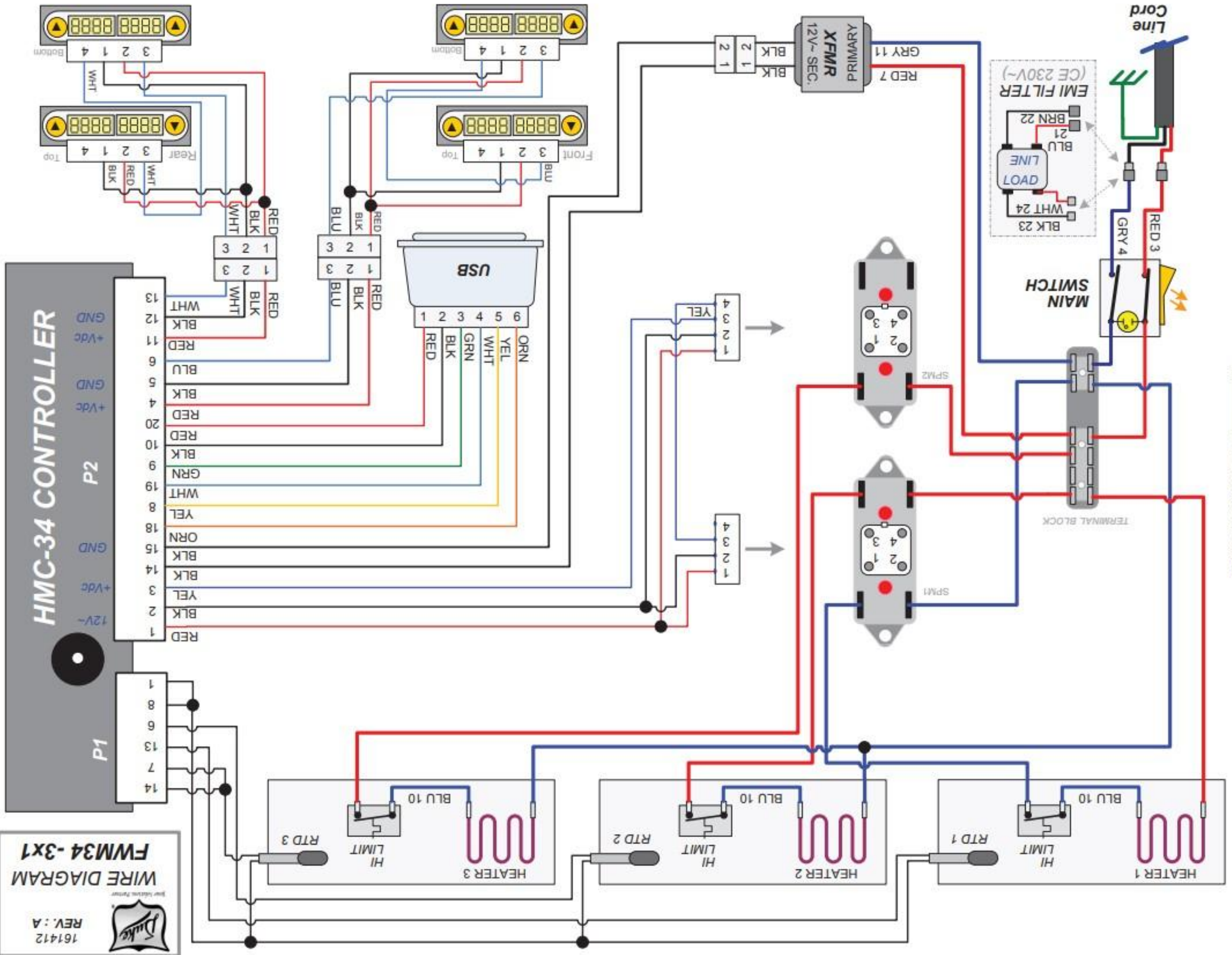
RTD TABLE: PIN LOCATIONS (PIN #1 AND #8 ARE COMMON)

	FWM3-21	FWM3-22	FWM3-23	FWM3-24	FWM3-41	FWM3-42	FWM34-22	FWM34-23	FWM34-42	FWM34-43
RTD1	14	14	14	14	14	14	14	14	14	14
RTD2	7	7	7	7	7	7	7	7	7	7
RTD3					13	12			12	11
RTD4					6	5			5	4



HMC-34 CONTROLLER [Std]  
HMC-34 DU2 [Daypart - Lid Prompt]  
HMC-34 DU4 [Daypart - No Lid Prompt]



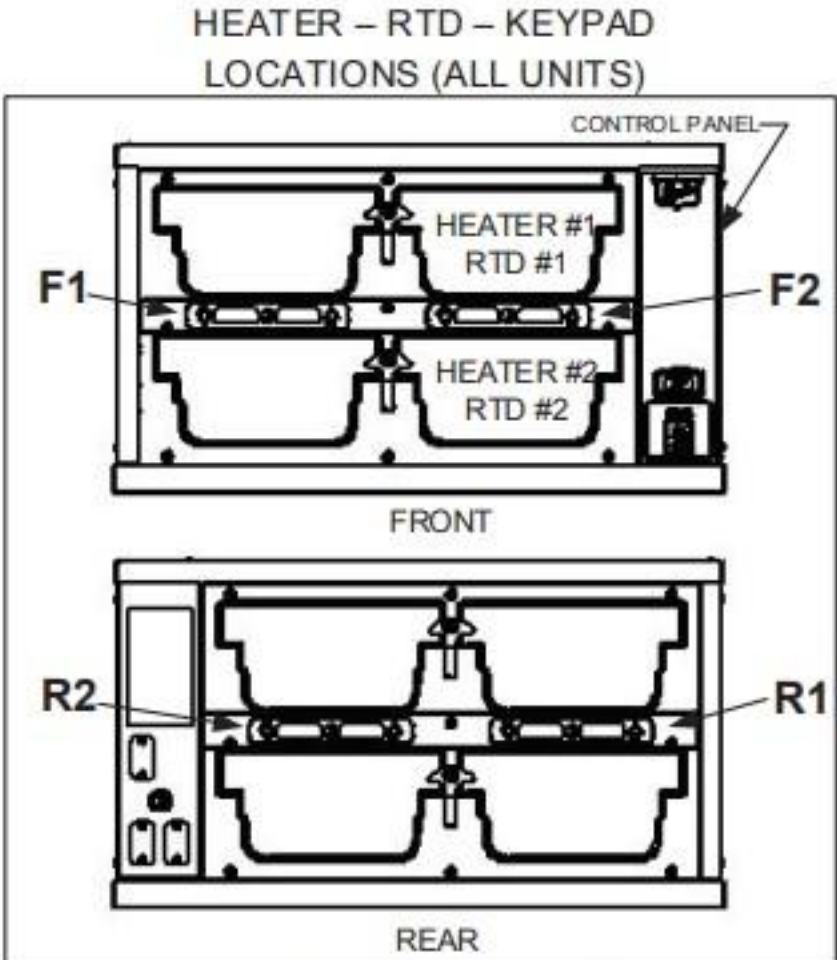
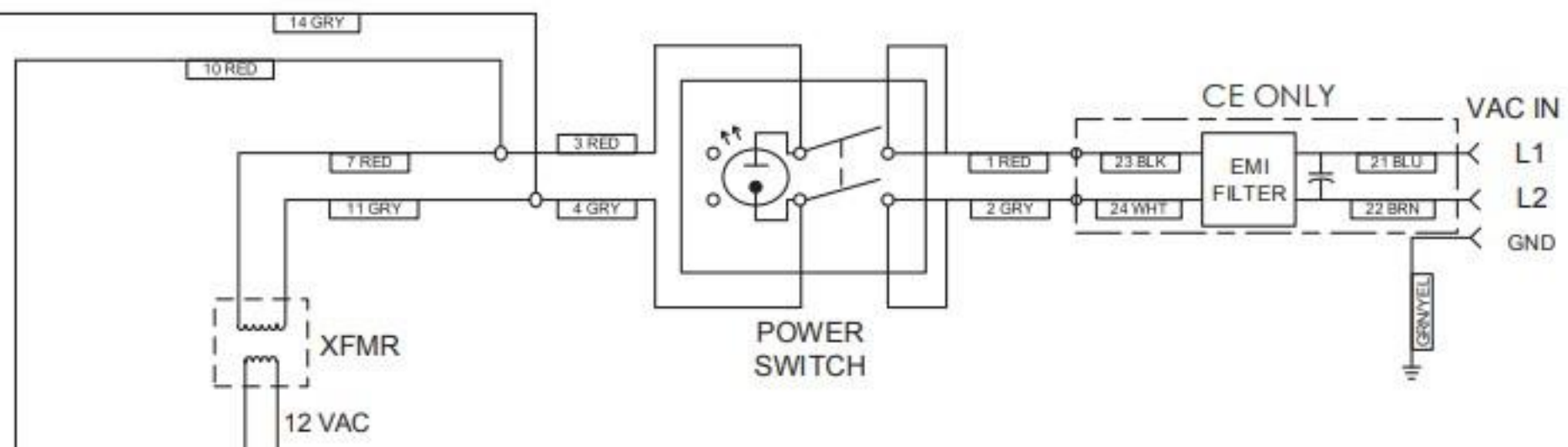


FWM34X31 Schematic

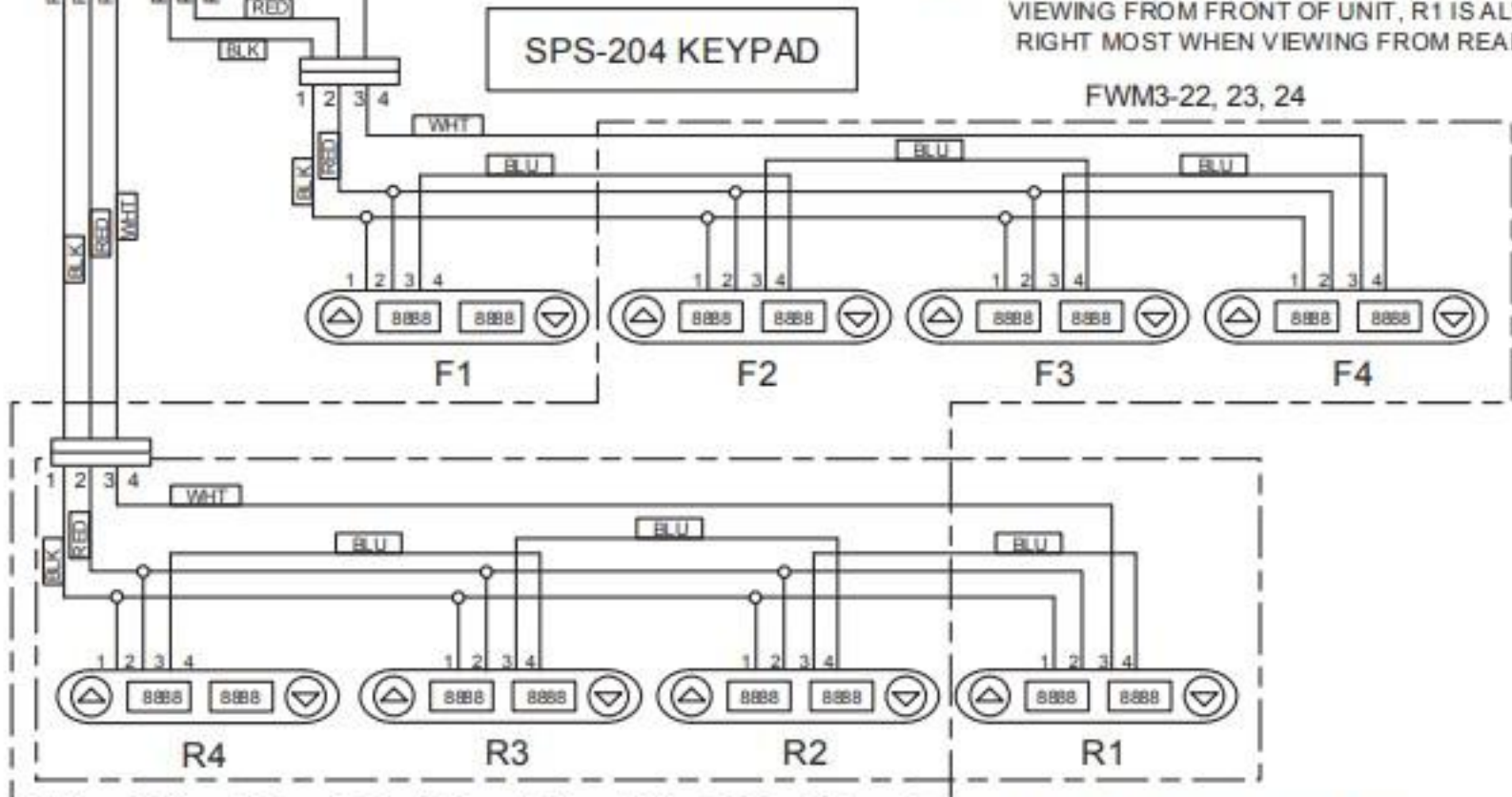
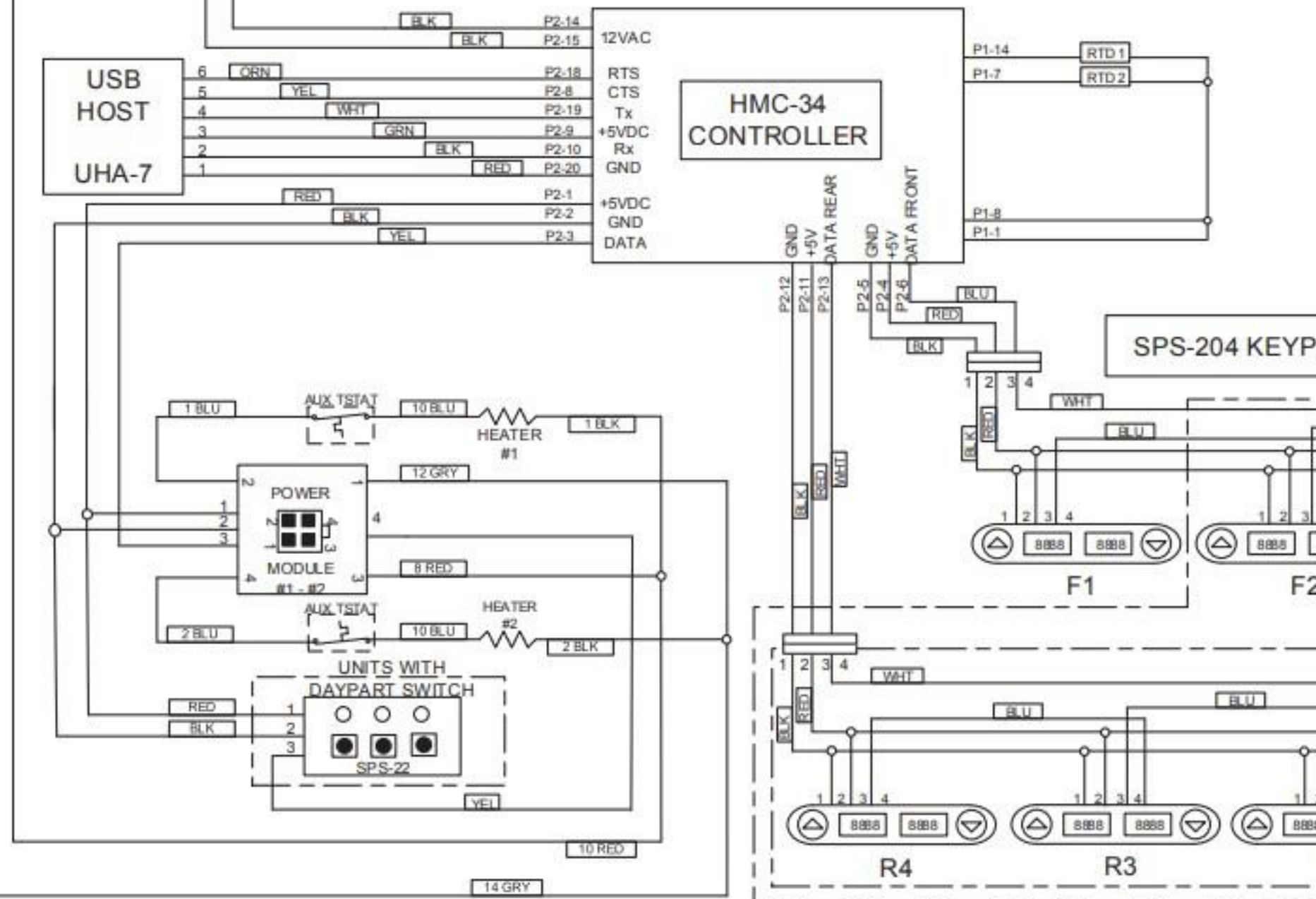
**161412 REV: A**

**FWM34-3X1**  
WIRE DIAGRAM

DUKE FOOD WARMER  
 MODEL FWM3-21, 22, 23, 24  
 100/120/208/230/240 VAC 50/60 HZ 1 PH.

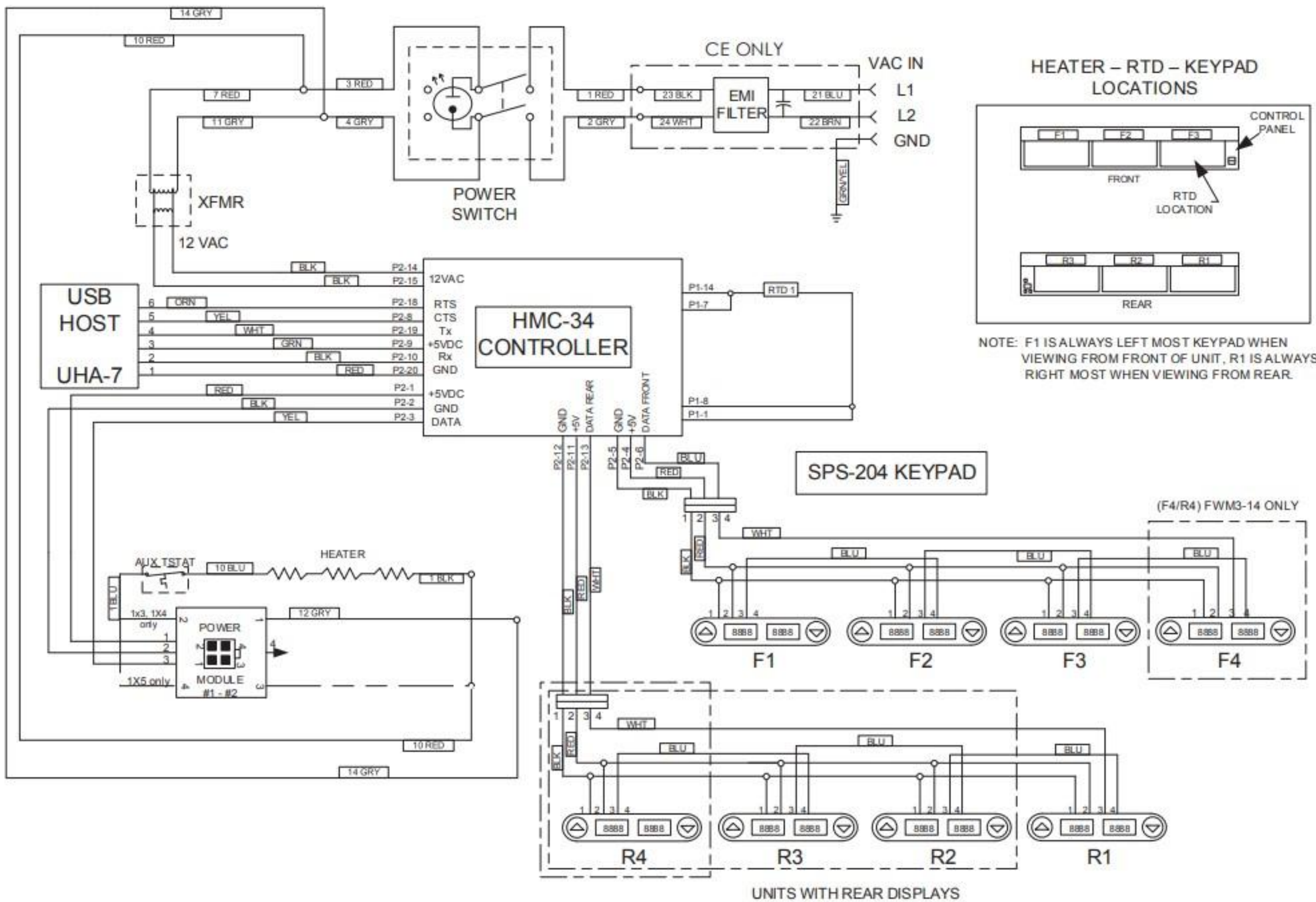


NOTE: F1 IS ALWAYS LEFTMOST KEYPAD WHEN VIEWING FROM FRONT OF UNIT, R1 IS ALWAYS RIGHT MOST WHEN VIEWING FROM REAR.



UNITS WITH REAR DISPLAYS

FWM34 2-High Schematic



FWM34 1-High Schematic