



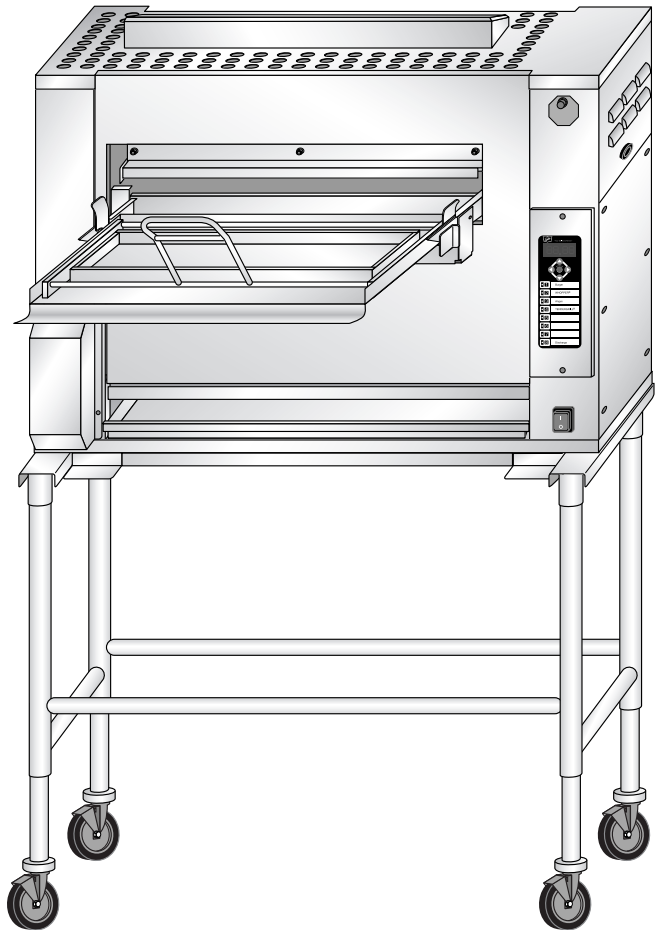
Your Solutions Partner

Flexible Batch Broiler CE Version

MODELS:

| | |
|-------------------|-------------------|
| FBB-10-230 | FBB-1C-230 |
| FBB-20-230 | FBB-2C-230 |
| FBB-30-230 | FBB-3C-230 |
| FBB-50-230 | FBB-5C-230 |

Illustrated Parts List



*This manual is Copyright © 2022 Duke Manufacturing Company. All rights reserved.
Reproduction without written permission is prohibited. Duke is a registered
trademark of the Duke Manufacturing Company.*

Duke Manufacturing Company

**2305 N. Broadway
St. Louis, MO 63102
Phone: 314-231-1130
Toll Free: 800-735-3853
Fax: 314-231-5074
www.dukemfg.com**

How to Determine Manufacture Date from Duke Equipment Serial Numbers

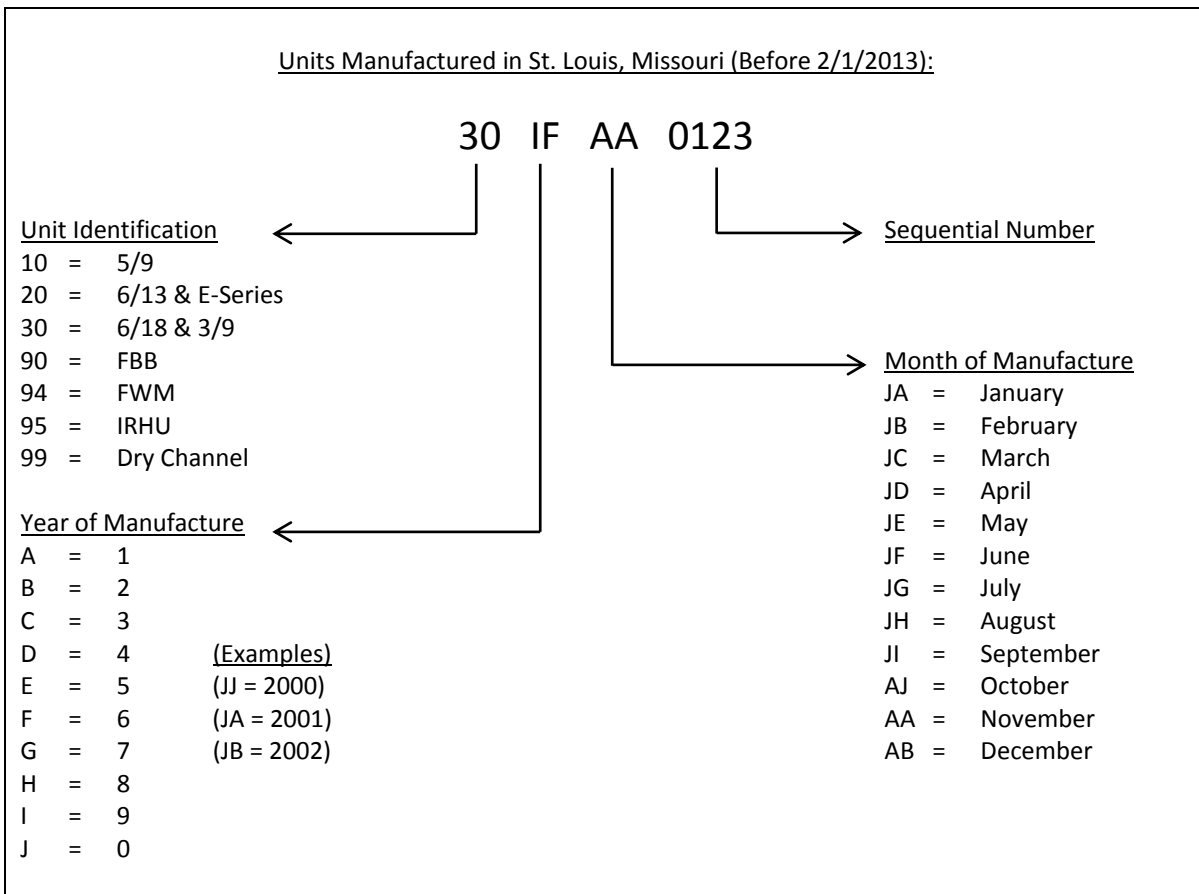
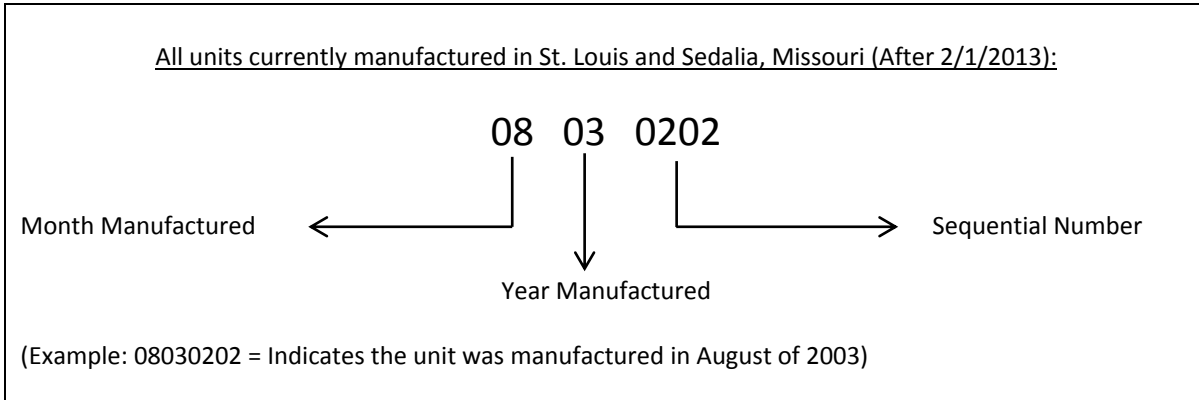


TABLE OF CONTENTS

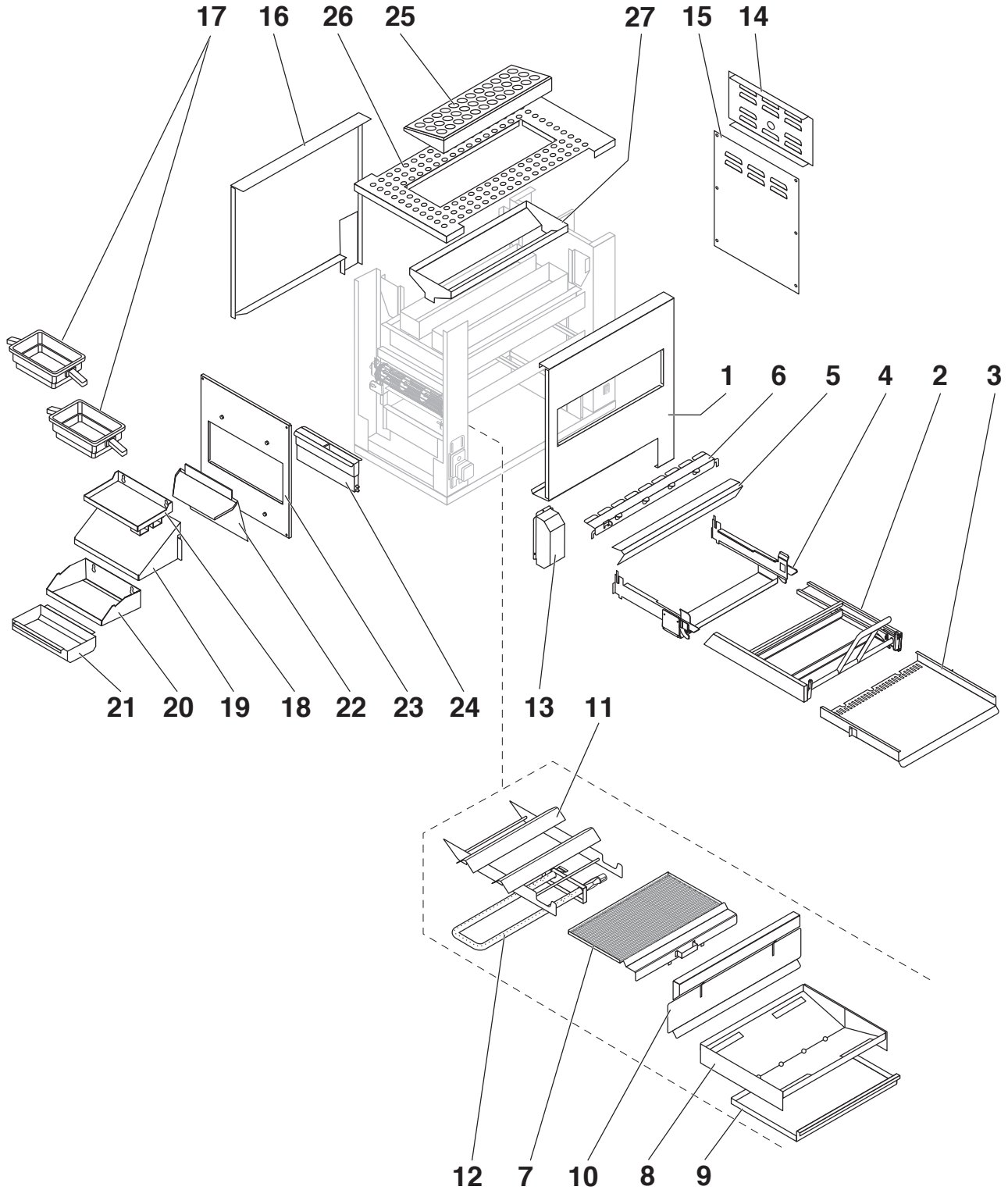
| | |
|--|----|
| COVERS, ACCESS PANELS AND PANS..... | 4 |
| TOP, FRONT AND CONTROL SIDE COMPONENTS | 6 |
| REAR AND DISCHARGE SIDE COMPONENTS | 10 |
| STAND COMPONENTS..... | 12 |
| ELECTRICAL SCHEMATIC..... | 14 |

COVERS, ACCESS PANELS AND PANS

| Location | Part Number | Description | Quantity |
|-----------|-------------------------|--|----------|
| 1 | 175300K | Front Panel | 1 |
| 2 | 175444K | Loader | 1 |
| | 176830K | Loader, India, Chicken | 1 |
| 3 | 175430K | Loader Tray | 1 |
| 4 | 175878K | Weldment, Loader Mounting Bracket | 1 |
| 5 | 175429K | Weldment, Hinged Door | 1 |
| 6 | 175741K | Weldment, Loader Ramp | 1 |
| 7 | 600222 | Kit, Flame Arrestor | 1 |
| 8 | 175325K | "V" Grease Pan | 1 |
| | 176834K | "V" Grease Pan, Air Flow, India, Chicken (Not Shown) | 1 |
| 9 | 175329 | Main Grease Pan | 1 |
| 10 | 175351 | Panel, Lower "J" Burner | 1 |
| 11 | 175200K | Weldment, Burner Shield | 1 |
| | 176349K | Weldment, Burner Shield, XT (EMEA Region) | 1 |
| 12 | 175934 | Burner, Tube, 0.375 Air Shutter Setting | 1 |
| | 176350K | Kit, Adjustable Burner Installation (EMEA Region) | 1 |
| | 176521 | Burner, FBB (Australia, LPG) | 1 |
| | 175950 | Kit, Burner, Adjustable | 1 |
| Not Shown | 600431 | Kit, Lower Burner Upgrade (India) | 1 |
| 13 | 175177 | Motor Cover, Conveyor Drive Motor | 1 |
| 14 | 175392K | Upper Electric Panel | 1 |
| 15 | 175383 | Panel, Access Electrical LWB | 1 |
| 16 | 175305 | Rear Access Panel | 1 |
| 17 | 155695 | Pan, PHU | A/R |
| 18 | 175353K | PHU Pan Shelf | 1 |
| 19 | 175778K | Discharge Hood | 1 |
| 20 | 175358K | Discharge Pan | 1 |
| 21 | 175357K | Side, Grease Pan | 1 |
| 22 | 175340 | Discharge Chute | 1 |
| Not Shown | 600224 | Kit, Service, Discharge Chute Arm Pins | A/R |
| Not Shown | 600330 | Kit, Bracket, Discharge, FBB | 1 |
| 23 | 175250K | Panel, Access Discharge | 1 |
| 24 | 175150K | Pivot Ash Scraper | 1 |
| Not Shown | 175019 | Pivot Scraper Mounting Bracket | 1 |
| 25 | 175226 | Impedance Pan (No Optional Catalyst) | 1 |
| Not Shown | 175480 | Catalyst, Optional | 1 |
| Not Shown | 176546 | Catalyst with Interlock Actuator (Australia) | 1 |
| Not Shown | 175482 | Catalyst Guard, Required With Catalyst | 1 |
| Not Shown | 600277 | Kit, Catalyst Riser Assembly | 1 |
| Not Shown | 600278 | Kit, Catalyst with Risor | 1 |
| 26 | 175221 | Body Top | 1 |
| | 176523 | Body Top (Australia) | 1 |
| Not Shown | 176544 | Switch, Catalyst Interlock (Australia) | 1 |
| 27 | 175225K | Weldment, Upper Flue | 1 |

COVERS, ACCESS PANELS AND PANS

| | | | |
|-----------|---------|--|---|
| Not Shown | 176853 | Removable Panel Kit (Ref-175300-175250-175305) | 1 |
| Not Shown | 176854 | Lower Flue Kit (Ref-175838-213042) | 1 |
| Not Shown | 176301K | Kit-Replacement Dataplate FBB-CE Broiler (Gas) | 1 |



TOP, FRONT AND CONTROL SIDE COMPONENTS

| Location | Part Number | Description | Quantity |
|-----------|-------------------------|---|----------|
| 28 | 175066 | Burner, Mounting Bracket | 2 |
| 29 | 176901 | Kit, Gas Burner. Fa.asy,Spare Parts | 2 |
| 30 | 175875K | Motor, Conveyor Drive | 1 |
| 31 | 175176 | Mounting Bracket, Conveyor Drive Motor | 1 |
| 32 | 175517 | Sprocket, B21 X 3/8" Motor | 1 |
| 33 | 175550 | Light, Cook | 1 |
| 34 | 175503 | Switch, Main Power | 1 |
| 35 | 175536 | Igniter - Remote Sense (IR & Lower Burner) | 3 |
| | 176560 | Igniter, Lower Burner (Australia) | 1 |
| Not Shown | 175095K | Weldment, Igniter Gaurd | 1 |
| 36 | 175086 | Shaft Plate, Right Side | 2 |
| 37 | 175525 | Bushing Block, Conveyor | 4 |
| 38 | 175038 | Conveyor Shaft, Right Side | 1 |
| 39 | 175356 | Frame, Control Board Mounting Bezel | 1 |
| 40 | 175918 | Control Board | 1 |
| Not Shown | 176039 | Kit, Mylar Replacement | 1 |
| 41 | 175510 | Gasket, Control Bezel | 1 |
| 42 | 175538 | Ignition Suppression Cable, Lower Ignition Module | 1 |
| 43 | 175802 | Capacitor, Motor, Conveyor | 1 |
| 44 | 175877K | Ignition Module W/Label (Qty = 3/Natural Gas or 2/Propane Gas) | 3 or 2 |
| 45 | 175876 | Ignition Module W/Label, Lower J Burner (Propane Gas Only) | 1 |
| Not Shown | 176524 | Kit, Natural Gas / G20 (I2H/I2E) Conversion, EMEA | 1 |
| Not Shown | 176525 | Kit, Natural Gas Conversion, Australia | 1 |
| Not Shown | 176526 | Kit, Propane Gas / G31 (I3P) Conversion, EMEA | 1 |
| Not Shown | 176527 | Kit, Propane Gas Conversion, International | 1 |
| Not Shown | 176528 | Kit, Propane Gas Conversion, Australia | 1 |
| Not Shown | 176577 | Kit, LHV Natural Gas / G25 (I2L) Conversion, EMEA | 1 |
| Not Shown | 176578 | Kit, Butane/Propane Gas Mix / G30 (I3B/P) Conversion, EMEA | 1 |
| Not Shown | 176579 | Kit, Natural Gas Conversion, International | 1 |
| 46 | 175765 | Transformer-Terminated-240V PRI, 24V SEC | 2 |
| 47 | 175870 | Relay, Solid State | 2 |
| 48 | 175537 | Ignition Suppression Cable, Upper Ignition Module | 2 |
| 49 | 175553 | Connect Block, 3 Wire | 1 |
| 50 | 175920 | Kit, Valve CE with Fitting | 1 |
| Not Shown | 176329 | CE Valve Filter | 1 |
| Not Shown | 175812 | Harness, Valve Rectifier w/Connectors and Terminal | 1 |
| Not Shown | 600301K | Kit, CE Gas Valve & Rectifier | 1 |
| Not Shown | 175813 | Brass Flange | 1 |
| Not Shown | 176568 | O-Ring | 1 |
| Not Shown | 523173 | 4mm x 12 Socket Head Cap Screw | 1 |
| 51 | 175540 | Brass Fitting – Gas Valve to Burner Supply Tube | 2 |
| 52 | 600290 | Kit, Lower Orifice Holder Replacement | 1 |

TOP, FRONT AND CONTROL SIDE COMPONENTS (CONTINUED)

| | | | |
|-----------|-------------------------|---|---|
| | 175823 | Orifice, Lower Burner 3.05MM (Nat Gas, 120/230V Int, H/Alt) | 1 |
| | 175935 | Orifice, Lower Burner #30, H/Alt (Nat Gas, 230V International) | 1 |
| | 175952 | Orifice, Lower Burner 1.70MM (Propane/Butane Mix, 230V Int) | 1 |
| 53 | 175953 | Orifice, Lower Burner 1.85MM (Propane, 230V International) | 1 |
| | 176388 | Orifice, Lower Burner 2.00MM (Propane, 230V International) | 1 |
| | 176522 | Orifice, Lower Burner 1.75MM (Propane, 230V Australia) | 1 |
| | 600291 | Kit, FBB, W/Low Calorific Gas | 1 |
| 54 | 175511 | Gasket, Blower Inlet | 1 |
| 55 | 600248K | Assembly, Blower & Gasket, CE, 230V 50HZ | 1 |
| 55b | 175987 | Strain Relief, Heyco 6l-1 #1214 (Order with 600251) | 1 |
| Not Shown | 600286 | Kit, Blower Upgrade Components, FBB | 1 |
| Not Shown | 175184 | Relay, Flange Mount, 10A, 24VAC | 1 |
| 55c | 600251K | Kit, Replacement Blower with Switch, 230V 50Hz | 1 |
| 56 | 175380 | Shield, Ignition Cable | 2 |
| 57 | 175477 | Tubing, Tee to Valve, Kit | 1 |
| 58 | 175535 | Sensor, IR Burner | 2 |
| 59 | 175549 | Hose Clamp | 2 |
| 60 | 175189 | Hose, Blower 14" | 1 |
| 61 | 175108 | Bower Box Cover | 1 |
| 62 | 175476 | Tubing – Tee to IR Kit | 2 |
| 63 | 175541 | Tee, Compression Fitting | 1 |
| 64 | 175542 | Orifice, Holder Only, IR Burners (May Also Be Required - 175547 3/8" Sleeve & 175548 3/8" Nut) | 2 |
| 65 | 175814 | Orifice, IR Burner 2.35MM (Nat Gas, 230V International) | 1 |
| | 175816 | Orifice, IR Burner 1.55MM (Propane, 230V International) | 1 |
| | 175818 | Orifice, IR Burner 1.40MM (Propane/Butane Mix, 230V Int) | 1 |
| 66 | 175815 | Orifice, IR Burner 2.50MM (Nat Gas, 230V International) | 1 |
| | 175817 | Orifice, IR Burner 1.61MM (Propane, 230V International) | 1 |
| | 175819 | Orifice, IR Burner 1.51MM (Propane/Butane Mix, 230V Int) | 1 |
| 67 | 175478 | Tubing, Lower Burner to Valve, Kit | 1 |
| | 175547 | Sleeve, 3/8" Compression | 1 |
| | 175548 | Nut, 3/8" Compression | 1 |
| 68 | 175514 | Bushing, Heyco, Shorty 1" | 1 |
| 68 | 175514 | Bushing, Heyco, Shorty 1" | 1 |
| 69 | 175376 | Plate, Orifice Holder | 1 |
| 70 | 175546 | Jam Nut, Orifice Holder, Lower | 2 |
| 71 | 175571 | Piping, Gas Manifold | 1 |
| Not Shown | 176343 | Harness, Test Cord Flame Sense BK Broiler, CE | 1 |
| Not Shown | 176569 | Instructions, BK CE Flame Sensor Test Harness (176343) | 1 |
| Not Shown | 176410 | Assembly, Pressure Switch/Relay (Australia) | 1 |
| Not Shown | 175185 | Tubing, Silicone, Pressure Switch (Australia) | 1 |
| Not Shown | 176408 | Assembly, Pressure Switch (Australia) | 1 |
| Not Shown | 176244 | Assembly, Adapter, Blower Centrifugal Switch (Japan) | 1 |
| Not Shown | 600199 | Kit, Full PM - 13B/13P (G30 & G31), 230V International | 1 |
| Not Shown | 176682 | Kit, Mini PM - 13B/13P (G30 & G31), International | 1 |
| Not Shown | 600200 | Kit, Full PM - 12H, 12E & 12L (G20 & G25), 230V International | 1 |
| Not Shown | 176681 | Kit, Mini PM - 12H, 12E & 12L (G20 & G25), International | 1 |

TOP, FRONT AND CONTROL SIDE COMPONENTS

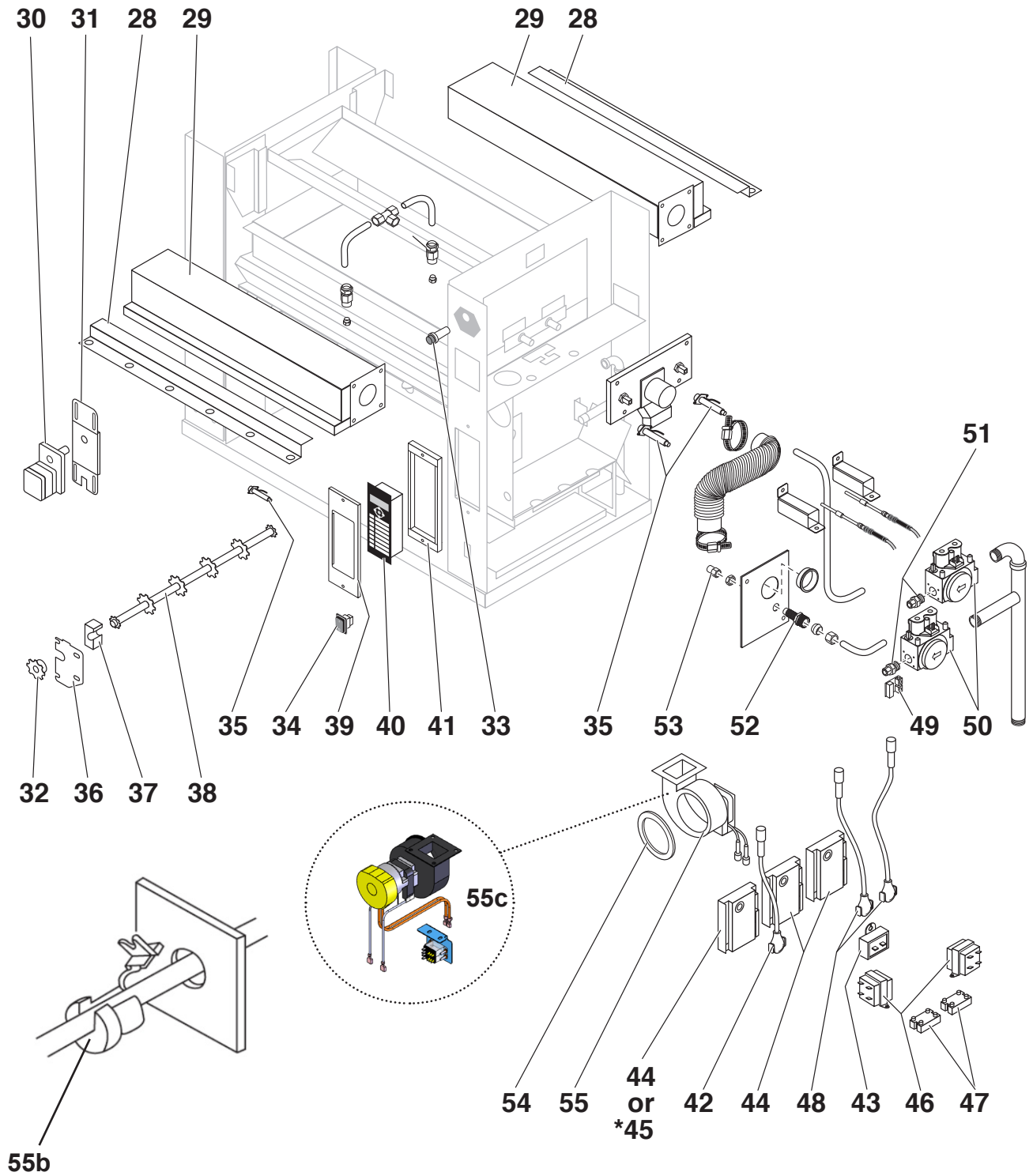


Figure: PL-2 Top, Front and Control Side Components

TOP, FRONT AND CONTROL SIDE COMPONENTS (CONTINUED)

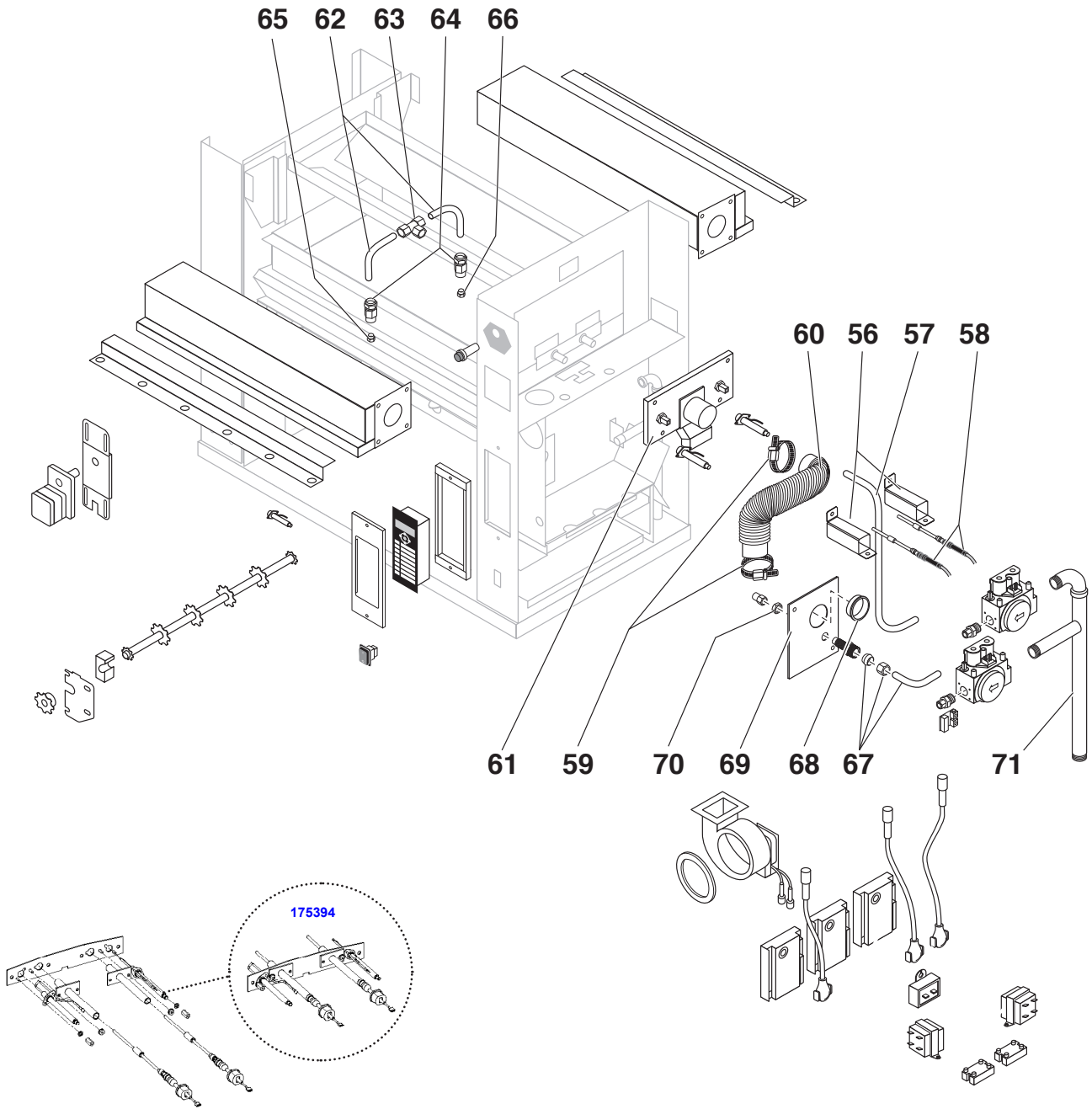


Figure: PL-3 Top, Front and Control Side Components (Continued)

REAR AND DISCHARGE SIDE COMPONENTS

| Location | Part Number | Description | Quantity |
|-----------|-------------------------|---|----------|
| 36 | 175086 | Shaft Plate, Right Side | 2 |
| 37 | 175525 | Bushing Block, Conveyor | 4 |
| 72 | 175534 | Sensor, Lower Burner | 1 |
| 73 | 175977 | Kit, Temperature Probe | 1 |
| 74 | 175515 | Strain Relief, Power Cord | 1 |
| Not Shown | 175805 | Cordset, Plug Type BS 1363 FBB CE | 1 |
| Not Shown | 175887 | Cordset, Australia/New Zealand, FBB CE | 1 |
| 75 | 175022 | Conveyor, Bushing Block Mounting Bracket, Left Side | 2 |
| 76 | 175037K | Shaft, Discharge Side | 1 |
| 77 | 175551 | Chain, Drive | 1 |
| 78 | 175674 | Chain, Cook Conveyor | 1 |
| Not Shown | 524934 | Sanigrid Pliers | 1 |

REAR AND DISCHARGE SIDE COMPONENTS

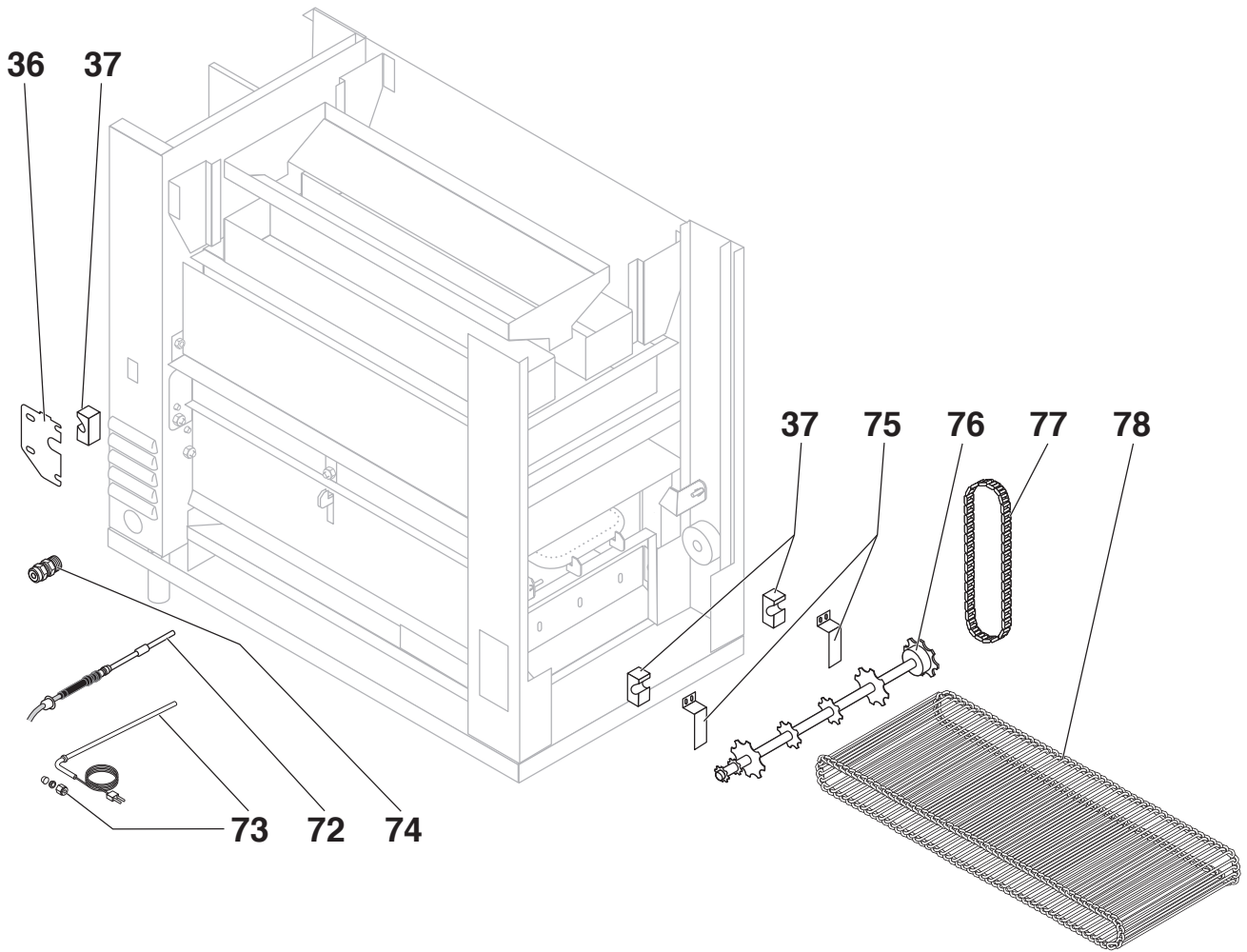
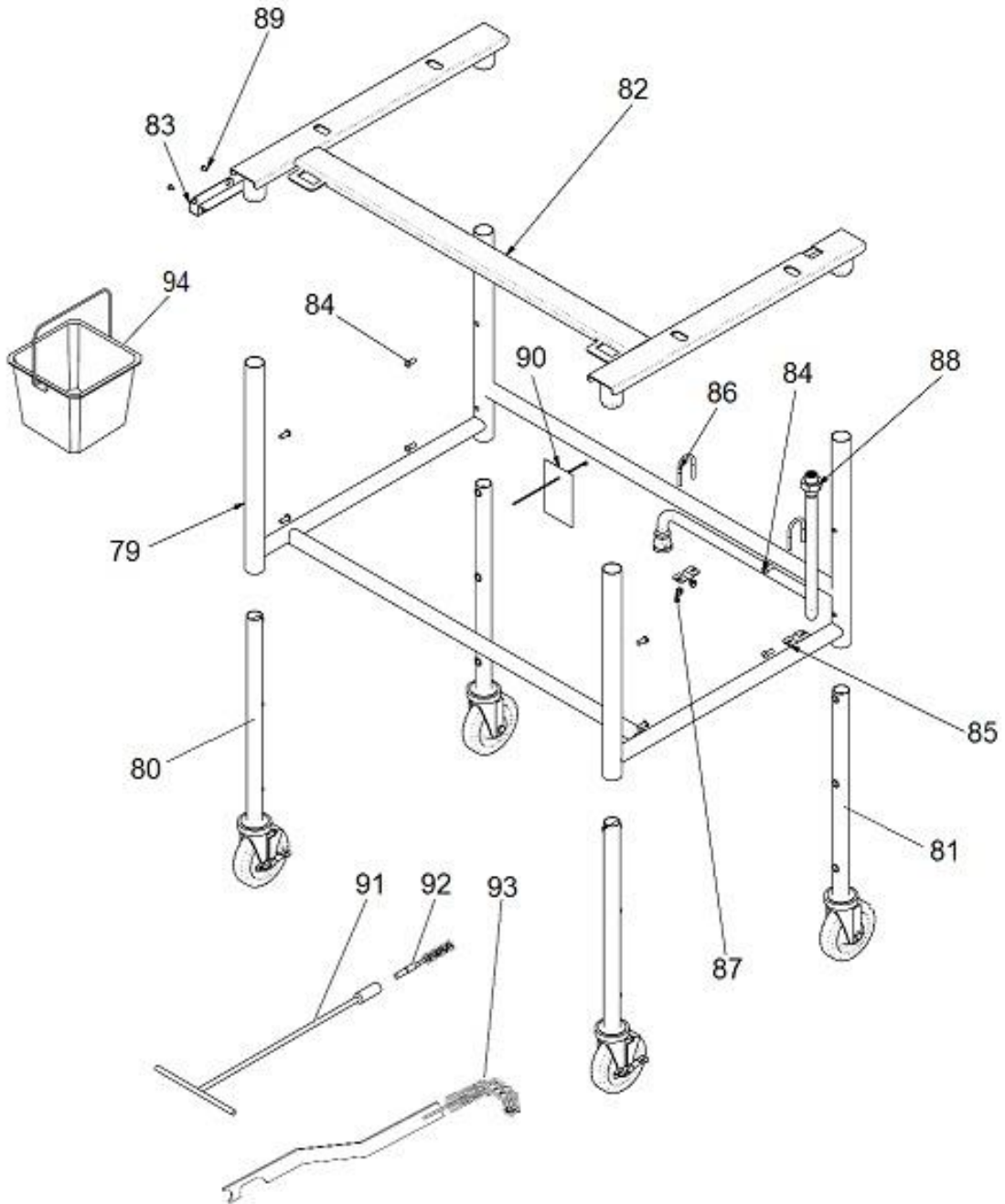


Figure: PL-4 Rear and Discharge Side Components

STAND COMPONENTS

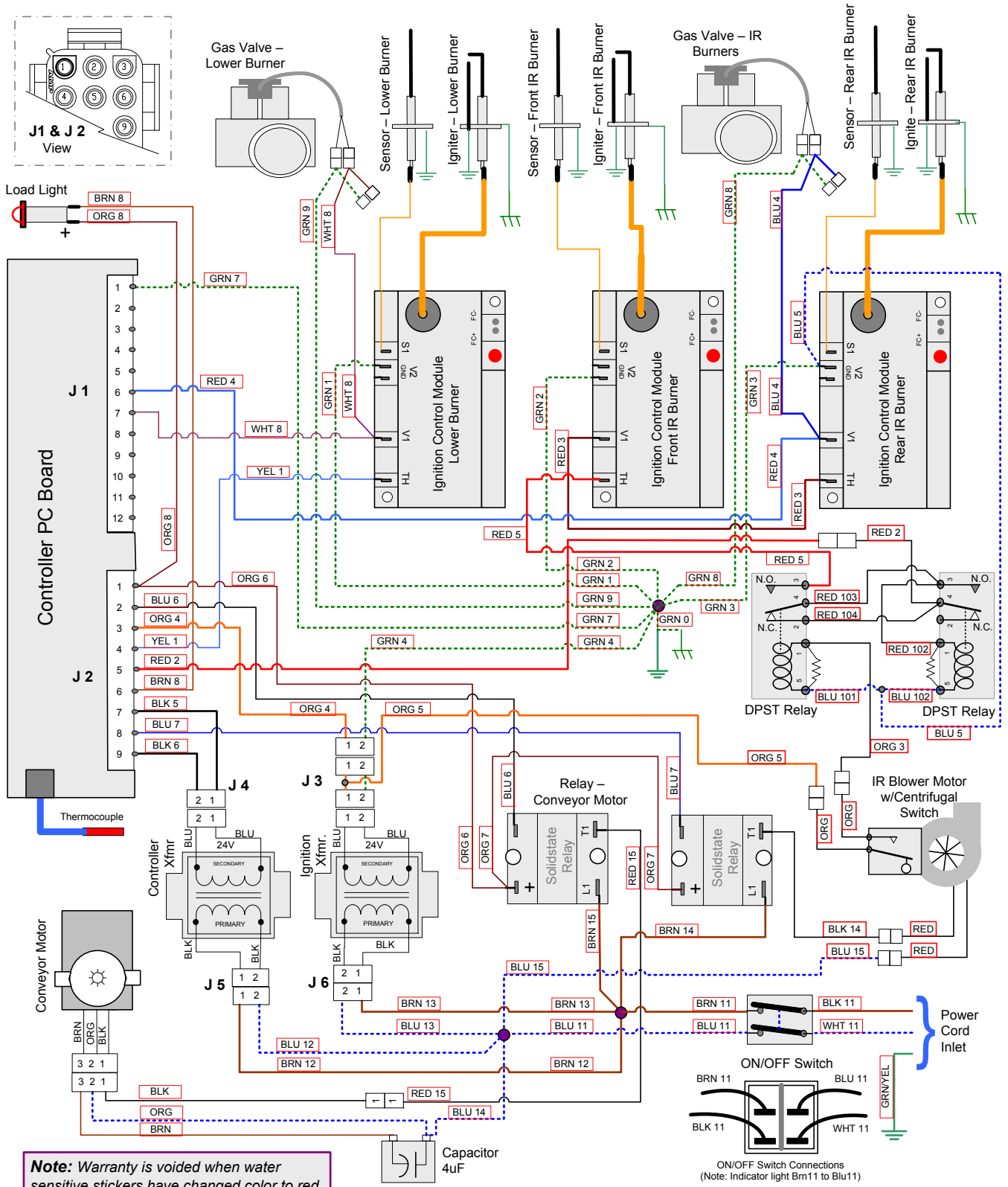
| Location | Part Number | Description | Quantity |
|-----------|----------------------------|---|----------|
| 79 | 175999 | Weldment, Broiler Stand | 1 |
| 80 | 175462PC | Assembly, Leg Extension w/Brake (<i>Ref-Drawing 175562</i>) | 2 |
| Not Shown | 175562 | Caster, Stem W/Brake | 2 |
| 81 | 175463PC | Assembly, Leg Extension w/o Brake (<i>Ref-Drawing 175463</i>) | 2 |
| Not Shown | 175563 | Caster, Stem No Brake | 2 |
| 82 | 175961PC | Weldment, Top Broiler Stand | 1 |
| 83 | 175748 | Weldment, Sanitizer Bracket | 1 |
| 84 | 175468 | Screw, 5/16-18 x 3/4 SS Button Head | 8 |
| 85 | 175459 | Saddle, U-Bolt | 2 |
| 86 | 175565 | U-Bolt, 1/4-20 x 1-1/4" Long Thread | 2 |
| 87 | 0220750SED | Nut, 1/4-20 Acorn SS | 4 |
| 88 | 175570 | Piping, Gas Supply | 1 |
| 89 | 213028 | Screw, 10-24 x 3/8" PTHMS SS | 2 |
| 90 | 175722PC | Kit, Nylon Rivet | 1 |
| 91 | 175701 | Assy, Flame Rod Tube Cleaner (includes 175705 Brush) | 1 |
| 92 | 175705 | Brush, Flame Rod Tube Cleaner | 1 |
| 93 | 175485 | Assembly, Cleaning Tool | 1 |
| 94 | 175842 | Sanitation Pail | 1 |
| Not Shown | 175700 | Kit, Cleaning & Install Tool | 1 |
| Not Shown | 175689 | Kit, Hi Service Pressure | 1 |
| Not Shown | 175690 | Kit, Gas Connector Assembly | 1 |
| Not Shown | 176341 | Assembly, KD Welded Broiler Stand (Australia) | 1 |

STAND COMPONENTS

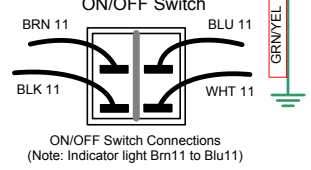


ELECTRICAL SCHEMATIC – CE FLEXIBLE BATCH BROILER

DUKE MFG. 175806 Rev.E

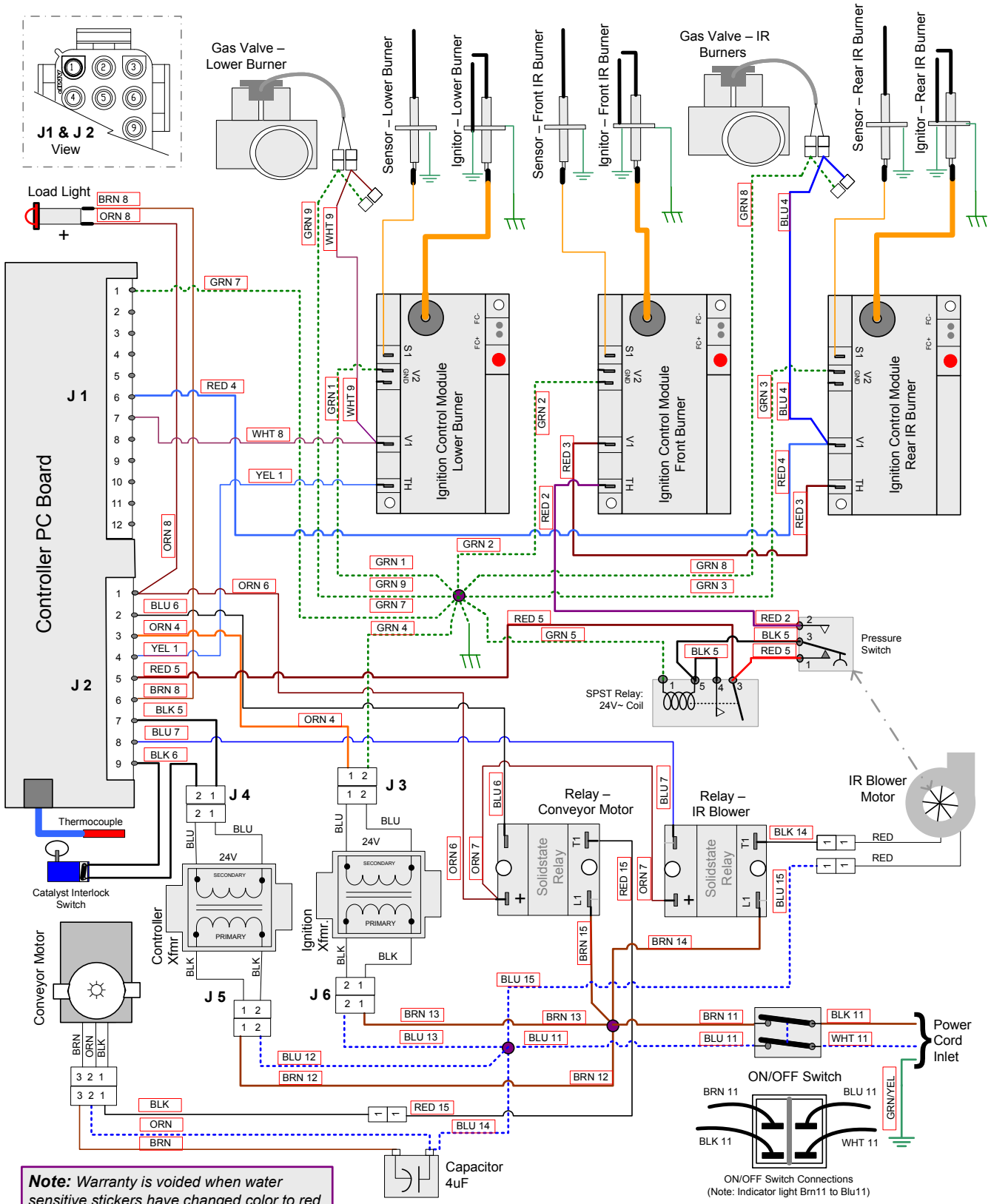


Note: Warranty is voided when water sensitive stickers have changed color to red.



ELECTRICAL SCHEMATIC – FLEXIBLE BATCH BROILER

DUKE MFG, AUS w/ IR Air Pressure Switch, P.N. 175186_D





Your Solutions Partner

Duke Manufacturing Company

2305 N. Broadway
St. Louis, MO 63102
Phone: 314-231-1130
Toll Free: 800-735-3853
Fax: 314-231-5074
www.dukemfg.com