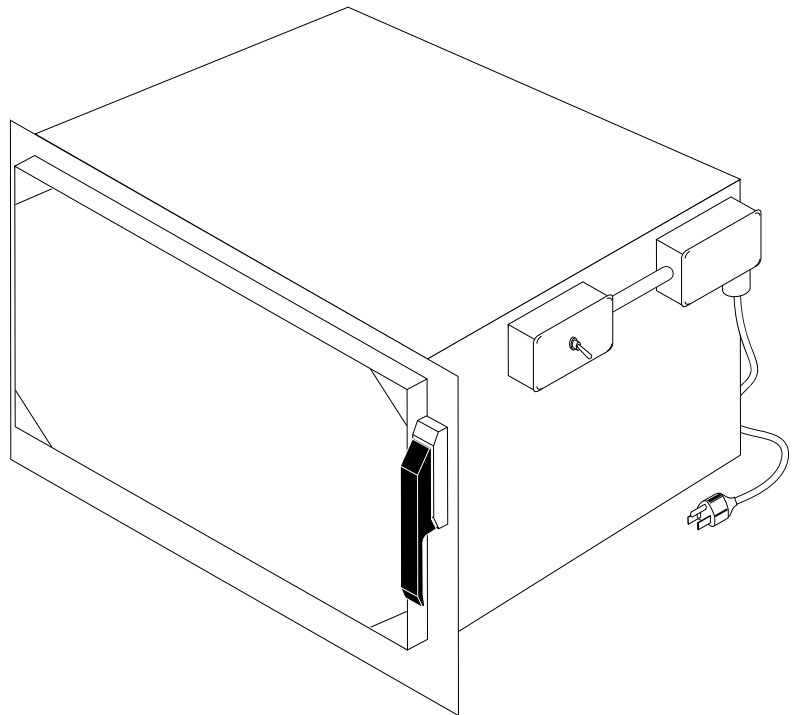




Your Solutions Partner

Illustrated Parts List



HEATED BASE UNIT

MODEL
HTD-BASE-M

*This manual is Copyright © 2023 Duke Manufacturing Co. All rights reserved.
Reproduction without written permission is prohibited. Duke is a registered
trademark of the Duke Manufacturing Co.*

Duke Manufacturing Co.

**2305 N. Broadway
St. Louis, MO 63102
Phone: 314-231-1130
Toll Free: 1-800-735-3853
Fax: 314-231-5074
www.dukemfg.com**

HEATED BASE UNIT

| Item | Qty. | Part Number | Description |
|------|------|-------------|------------------------|
| 1 | 1 | 403391 | Heated Base Module,Pkd |
| 2 | 1 | 212711 | Foil Heater 2 Drawer |
| 3 | 2 | 407570 | Outer Body End |
| 4 | 1 | 216507 | Fixed Limit Control |
| 5 | 1 | 2113-2 | Toggle Switch |
| 6 | 2 | 214324 | Door Hinge |
| 7 | 1 | 407578 | Hinged Door Panel |
| 8 | 1 | 407579 | Door Liner |
| 9 | 1 | 214323 | Magnetic Latch |
| 10 | 1 | 214323 | Thermometer 200°F |

Table: PL-1 Heated Base Unit

HEATED BASE UNIT

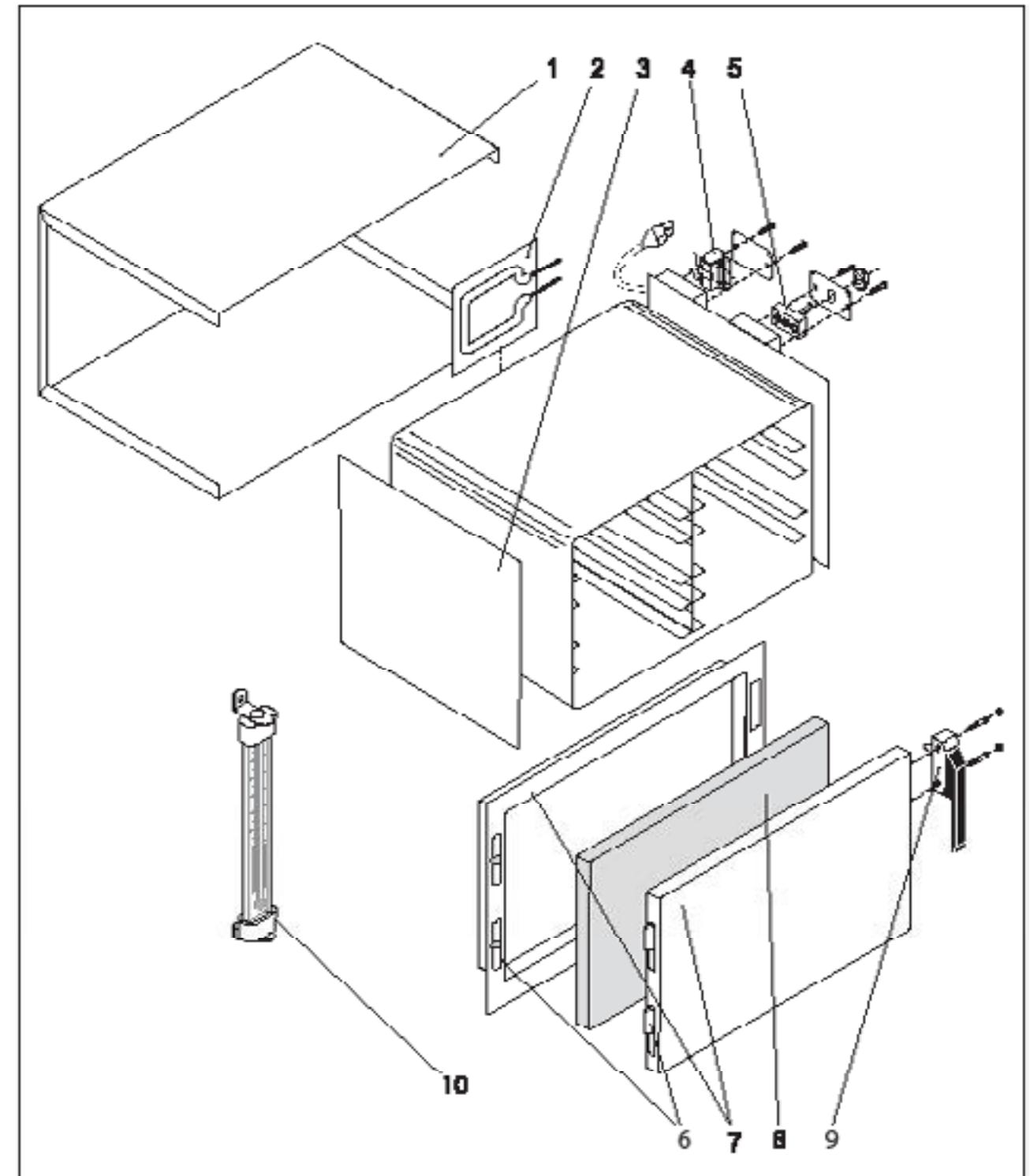
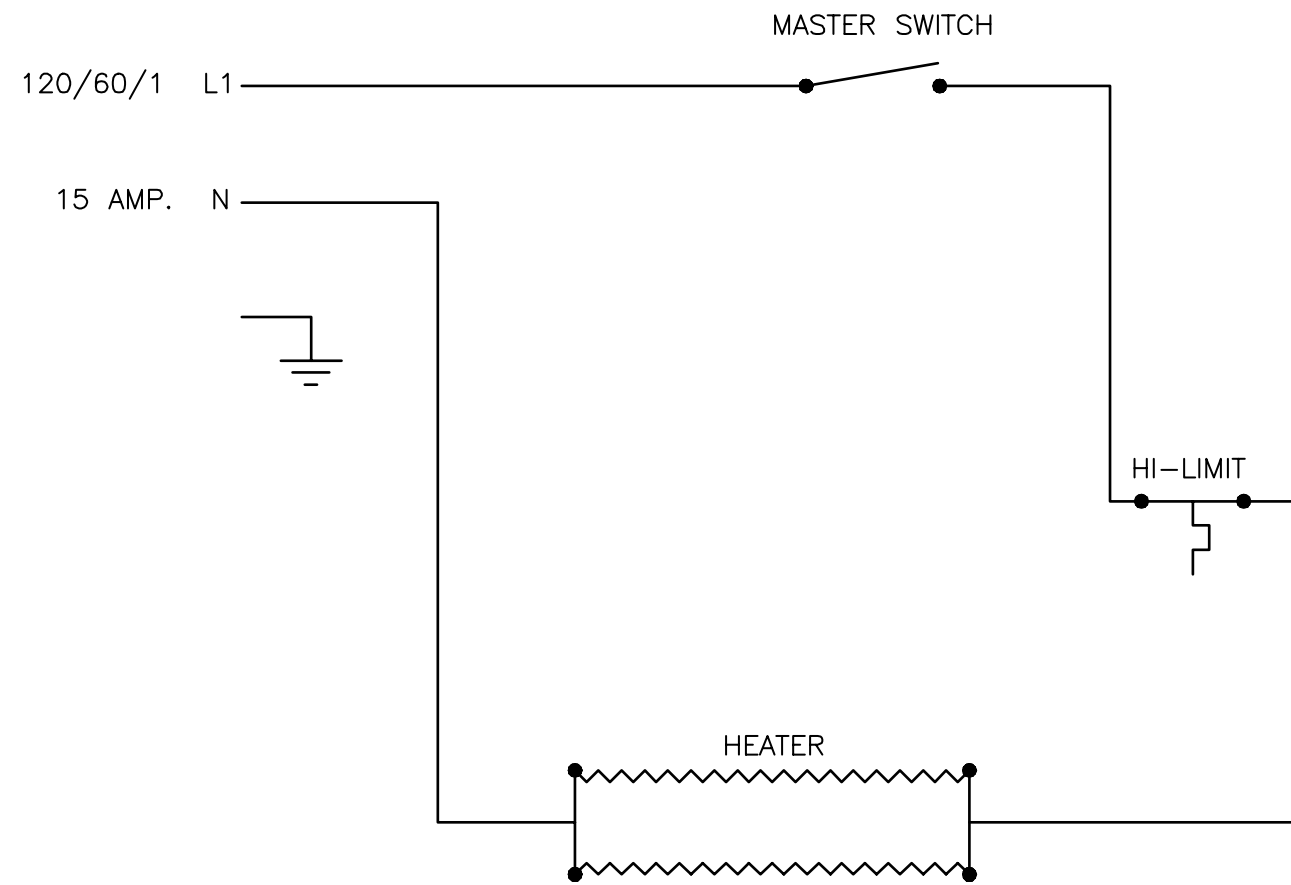


Figure: PL-1 Heated Base Unit

HEATED BASE UNIT SCHEMATIC



NOTES

NOTES

CUSTOMER ASSISTANCE

To aid in reporting this unit in case of loss or theft, please record below the model number and serial number located on the unit. We also suggest you record all the information listed and retain for future reference.

| | |
|-------------------------------|----------------------------|
| MODEL NUMBER _____ | SERIAL NUMBER _____ |
| DATE OF PURCHASE _____ | |
| DEALER _____ | TELEPHONE _____ |
| SERVICER _____ | TELEPHONE _____ |

NORTH AMERICA & LATIN AMERICA

Duke Manufacturing Company
 2305 N. Broadway
 St. Louis, MO 63102
 Phone: 314-231-1130
 Toll Free: 1-800-735-3853
 Fax: 314-231-5074

UK & IRELAND

Duke Mfg UK
 Duke House
 Unit 10, Greendale Business Park
 Woodbury Salterton
 Exeter
 Devon - UK EX5 1EW
 Tel: 01395 234140
 FAX: 01395 234154

CONTINENTAL EUROPE

EU Headquarter Office
 Duke Manufacturing
 CR s.r.o. Vitavska 219,
 Stechovice 25207
 Phone: +420 257-741-033

ASIA

Duke Food Service Equipment
 (shanghai) Company Limited
 1F, Building #17-2, 658 Nong Jin Zhong Road
 Shanghai, China 200335
 Tel: +86 21 6876 9272
 Fax: +86 21 33600628

TO ACCESS INTERNET: www.dukemfg.com

Please provide the following information when you write or call: model number, serial number, date of purchase, your complete mailing address (including zip code), and description of the problem.



Your Solutions Partner

Duke Manufacturing Co.

**2305 N. Broadway
St. Louis, MO 63102
Phone: 314-231-1130
Toll Free: 1-800-735-3853
Fax: 314-231-5074
www.dukemfg.com**

**EU Headquarter Office
Duke Manufacturing
CR s.r.o. Vitavska 219,
Stechovice 25207
Phone: +420 257 741 033
Fax: +420 257 741 039**

**Duke Mfg UK
Duke House
Unit 10, Greendale Business Park
Woodbury Salterton
Exeter
Devon - UK EX5 1EW
Tel: +44 (0) 1395 234140
FAX: +44 (0) 1395 234154**

**Asia Office
Duke Food Service Equipment (shanghai) Company Limited
1F, Building #17-2, 658 Nong Jin Zhong Road
Shanghai, China 200335
Tel: +86 21 6876 9272
Fax: +86 21 33600628**