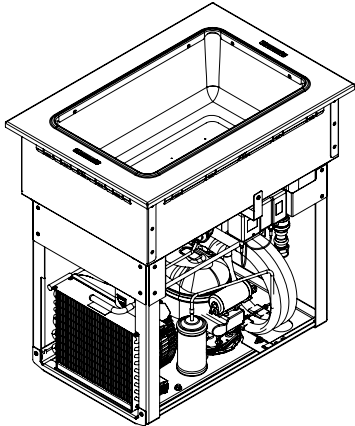


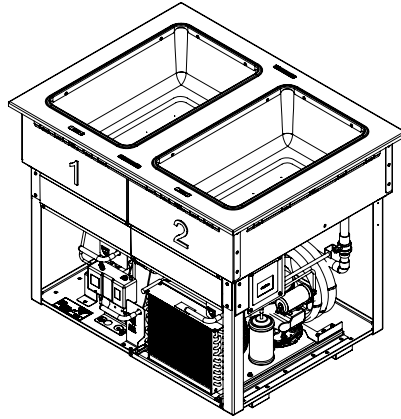


Your Solutions Partner

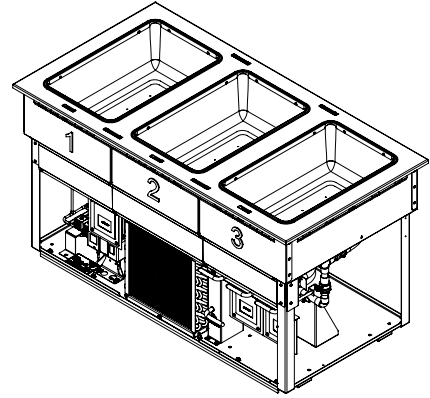
Illustrated Parts List



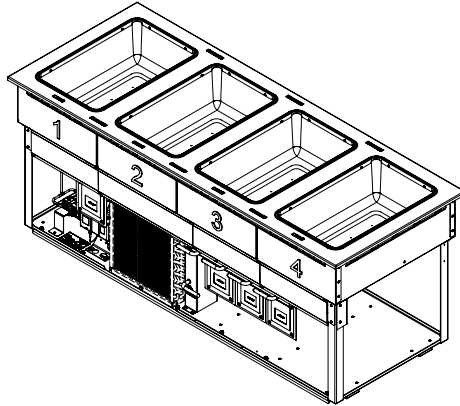
HCF-1



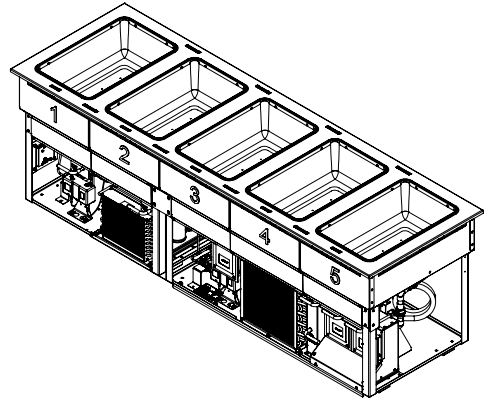
HCF-2



HCF-3



HCF-4



HCF-5

HOT COLD FREEZE UNITS MODELS

HCF-1, HCF-2, HCF-3, HCF-4 & HCF-5

*This manual is Copyright © 2023 Duke Manufacturing Co. All rights reserved.
Reproduction without written permission is prohibited. Duke is a registered
trademark of the Duke Manufacturing Co.*

Duke Manufacturing Co.

2305 N. Broadway • St. Louis, MO 63102

800.735.3853 • 314.231.1130

Fax: 314-231-5074

www.dukemfg.com

How to Determine Manufacture Date from Duke Equipment Serial Numbers

All units currently manufactured in St. Louis and Sedalia, Missouri (After 2/1/2013):

08 03 0202

(Example: 08030202 = Indicates the unit was manufactured in August of 2003)

Units Manufactured in St. Louis, Missouri (Before 2/1/2013):

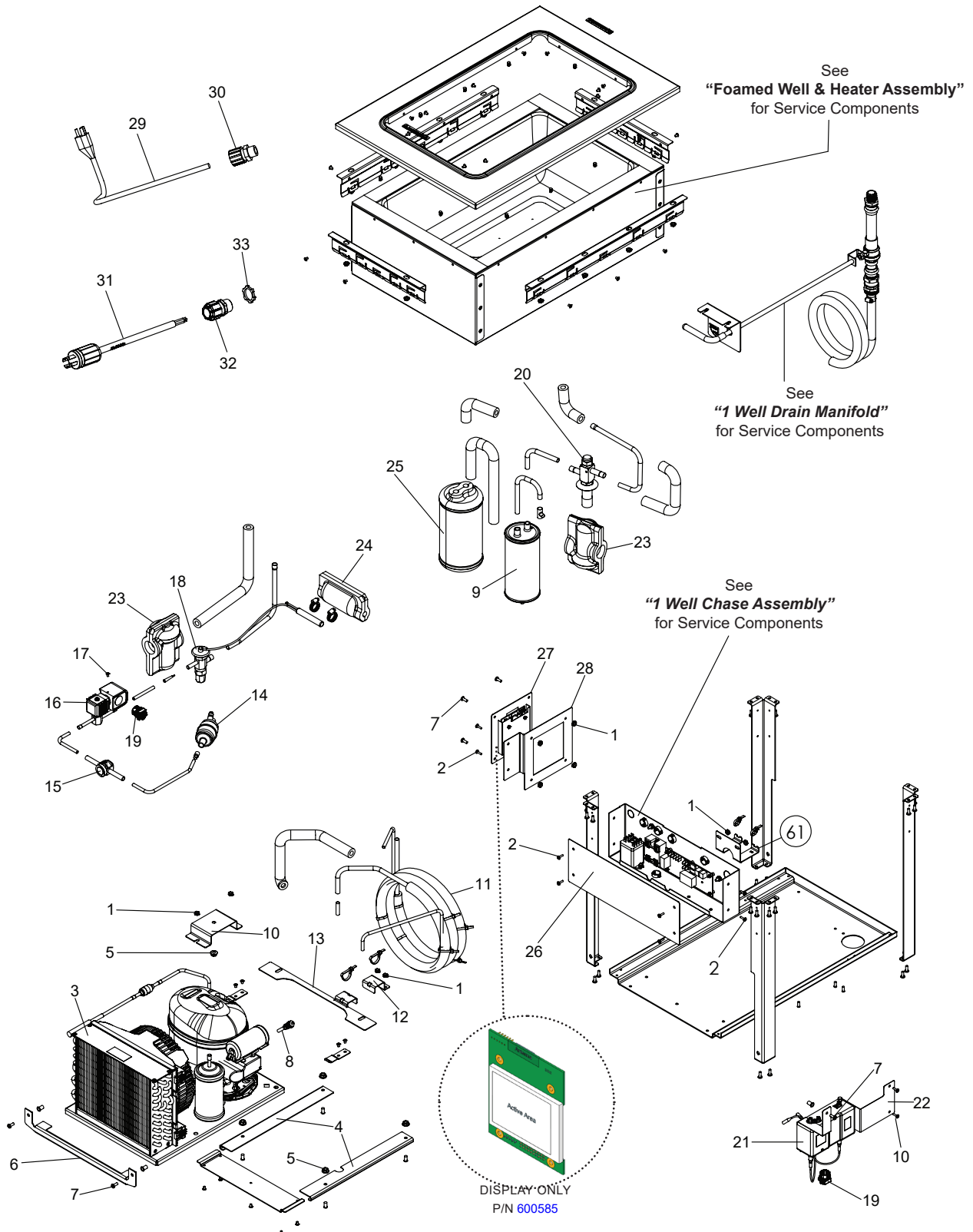
30 IF AA 0123

<p><u>Unit Identification</u></p> <p>10 = 5/9 20 = 6/13 & E-Series 30 = 6/18 & 3/9 90 = FBB 94 = FWM 95 = IRHU 99 = Dry Channel</p> <p><u>Year of Manufacture</u></p> <p>A = 1 B = 2 C = 3 D = 4 (Examples) E = 5 (JJ = 2000) F = 6 (JA = 2001) G = 7 (JB = 2002) H = 8 I = 9 J = 0</p>	<p><u>Sequential Number</u></p> <p><u>Month of Manufacture</u></p> <p>JA = January JB = February JC = March JD = April JE = May JF = June JG = July JH = August JI = September AJ = October AA = November AB = December</p>
--	--

TABLE OF CONTENTS

Hot Cold Freeze - 1 Well Unit	4
Hot Cold Freeze - Foamed Well & Heater Assembly	6
Hot Cold Freeze - 516825 Condensing Unit	7
Hot Cold Freeze - 1 Well Drain Manifold	8
Hot Cold Freeze - 1 Well Chase Assembly	9
Hot Cold Freeze - 2 Well Unit	10
Hot Cold Freeze - 2 Well Drain Manifold	12
Hot Cold Freeze - 2 Well Chase Assembly	13
Hot Cold Freeze - 2 Well Refrigerant Line Assemblies	14
Hot Cold Freeze - 2 Well Base Assembly	16
Hot Cold Freeze - 3 Well Unit	18
Hot Cold Freeze - 3 Well Chase Assembly	20
Hot Cold Freeze - 3 Well Drain Manifold	21
Hot Cold Freeze - 3 Well Refrigerant Line Assemblies	22
HOT COLD FREEZE - DUKE BUILT SLIDE OUT CONDENSER UNIT	24
Hot Cold Freeze - 4 Well Unit	26
Hot Cold Freeze - 4 Well Chase Assembly	28
Hot Cold Freeze - 4 Well Drain Manifold	29
Hot Cold Freeze - 4 Well Refrigerant Line Assemblies	30
Hot Cold Freeze - 5 Well Unit	32
Hot Cold Freeze - 5 Well, First 2 Drains, Manifold	34
Hot Cold Freeze - 5 Well, Last 3 Drains, Manifold	35
Hot Cold Freeze - 5 Well Electrical Configuration-A	36
Hot Cold Freeze - 5 Well Electrical Configuration-A Plus	37
Hot Cold Freeze - 5 Well Electrical Configuration-D	38
Hot Cold Freeze - 5 Well Electrical Configuration-D Plus	39
Hot Cold Freeze - Wiring Diagrams	41

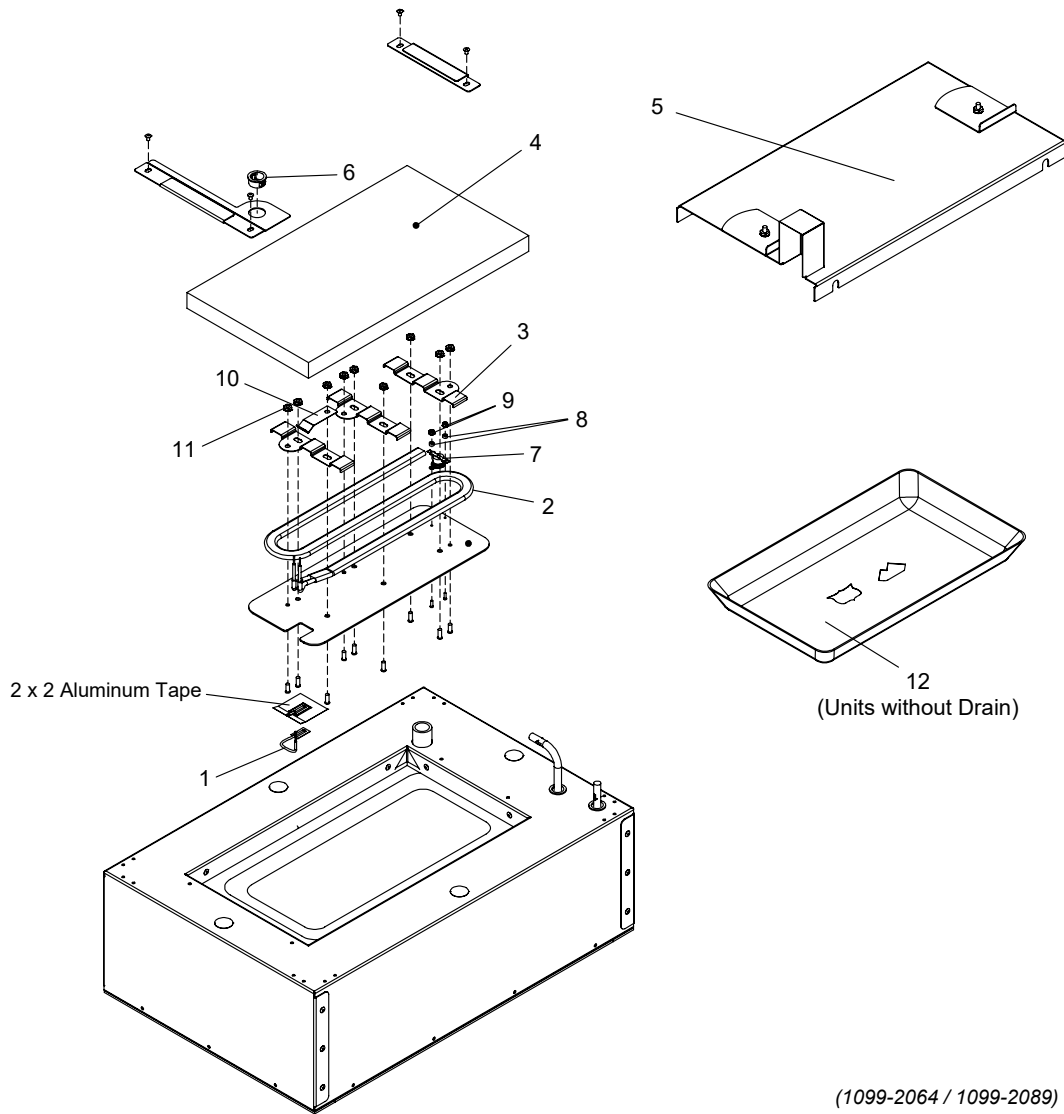
HOT COLD FREEZE - 1 WELL UNIT



HOT COLD FREEZE - 1 WELL UNIT

Item	Part #	Description	Qty
1	213322	Nut Keps 10-24, Stainless	22
2	213032	Screw, 8-18 X 1/2" Tek Phil	10
3	516825	Condenser Unit (Hcf-1 & 2) 120v 60hz (See "516825 Condensing Unit")	1
4	1099-0384-5K	Service-Upper Slides, Left & Right (<i>Pem Studs Installed</i>)	1
5	213042	Nut, 1/4-20 Serrated Zinc	5
6	1099-0387	Cond. Unit Front Bracket	1
7	213064	Screw, 10-24 X 1/2" Tcs Rd H	31
8	216547	Valve 1/4 Schrader Refrigeration	1
9	226117	Accumulator, Sporlan 3" Dia. 3/8" Fittings 1bs	1
10	1099-0388	Accumulator Bracket	10
11	1099-2066K	Service Part-Service Loop Assembly	1
12	1099-0363	Service Loop Bracket	1
13	1099-0389	Service Loop Bracket	1
14	226039	Drier, Filter	1
15	216415	Glass, Sight	1
16	216553	Solenoid, Refrigeration W/Coil 120v	1
17	512901	Screw, 6-32x1/4"Pn Ph Bo-Tap Tite Thrd Rlg Black Oxide	1
18	526315-2	Valve 526315 Adjusted On Flow Bench	1
19	222101	Bushing, Heyco 1280 Strain Relief	2
20	226045	Valve, Sporlan Cro-4-07/75 3x3 Odf	1
21	216891-1	Preset Dual Pressure Switch	1
22	1099-0287	Dual Pressure Switch Bracket	1
23	216859	Insulation, Txv Wrap	2
24	216860	Insulation, Txv Bulb	1
25	526805	Insulation, Accumulator 3" Dia. 3/8" Fittings	1
26	1099-0285	One Well Chase Cover	1
*27	600585	Kit, loc-G Elc0804 Only Board Replacement (See: Table 1 on Page 33)	1
28	1099-0405	Tube Support Bracket	1
29	212170	Cord, With Plug 5-15 14/3 6 Ft 15a 1ph	1
30	212117	Strain Relief, With 1/2" Lock Nut	1
31	ELC0156	Nema L140p Molded Power Cord	1
32	115357	Connector, 3/4" Liquidtight N.m .500-.750 Grip Range	1
33	167568	Locknut, Conduit 3/4"	1
HCF-1 Well Wire Harness List (Ref. 1099-2059)			
Not Shown	ELC0376	Harness, loa To Refrig Valve 30"	1
Not Shown	ELC0380	Jumper, loa Ssr Trigger	1
Not Shown	ELC0382	Jumper, Compressor Control	1
Not Shown	ELC0383	Harness, loa 120v Power - 11"	1
Not Shown	ELC0386	Harness, loa Heat & Refrig 120v	1
Not Shown	ELC0454	Jumper, High Limit	2
Not Shown	ELC0457	Harness - loa To loc-G 72"	1
Not Shown	ELC0465	Jumper, Control To UI Pressure Sw-Hcf	1

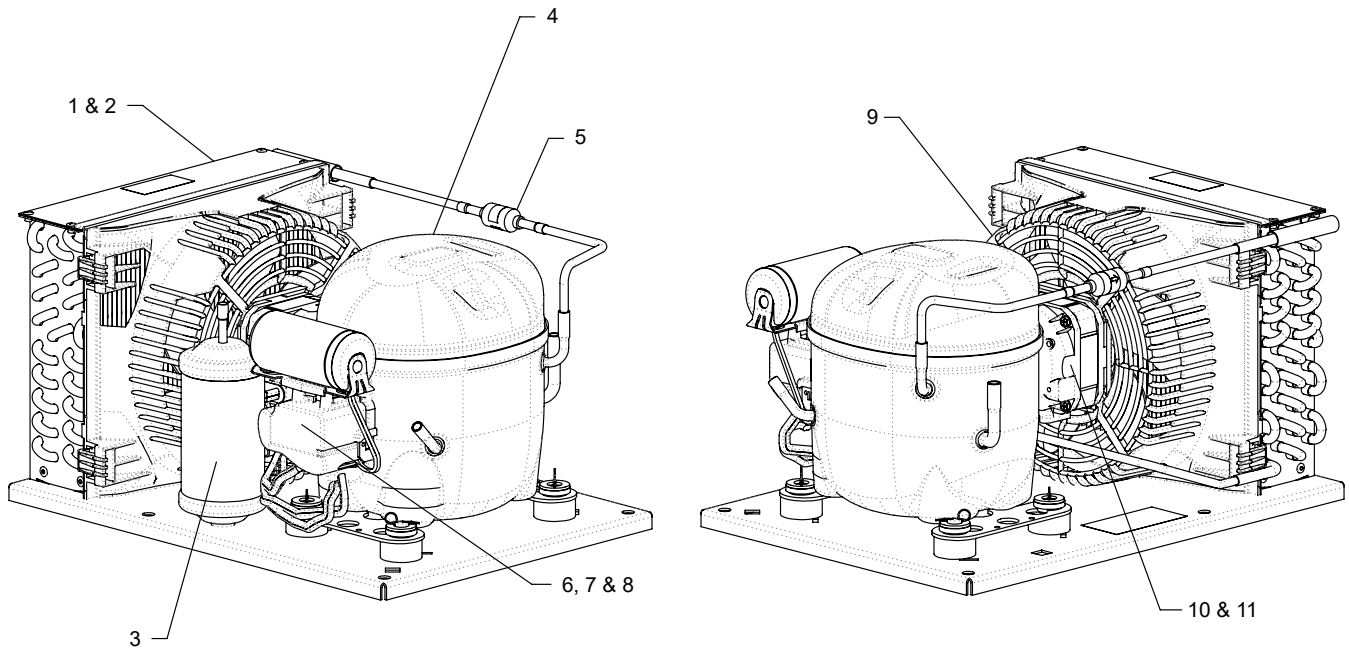
HOT COLD FREEZE - FOAMED WELL & HEATER ASSEMBLY



(1099-2064 / 1099-2089)

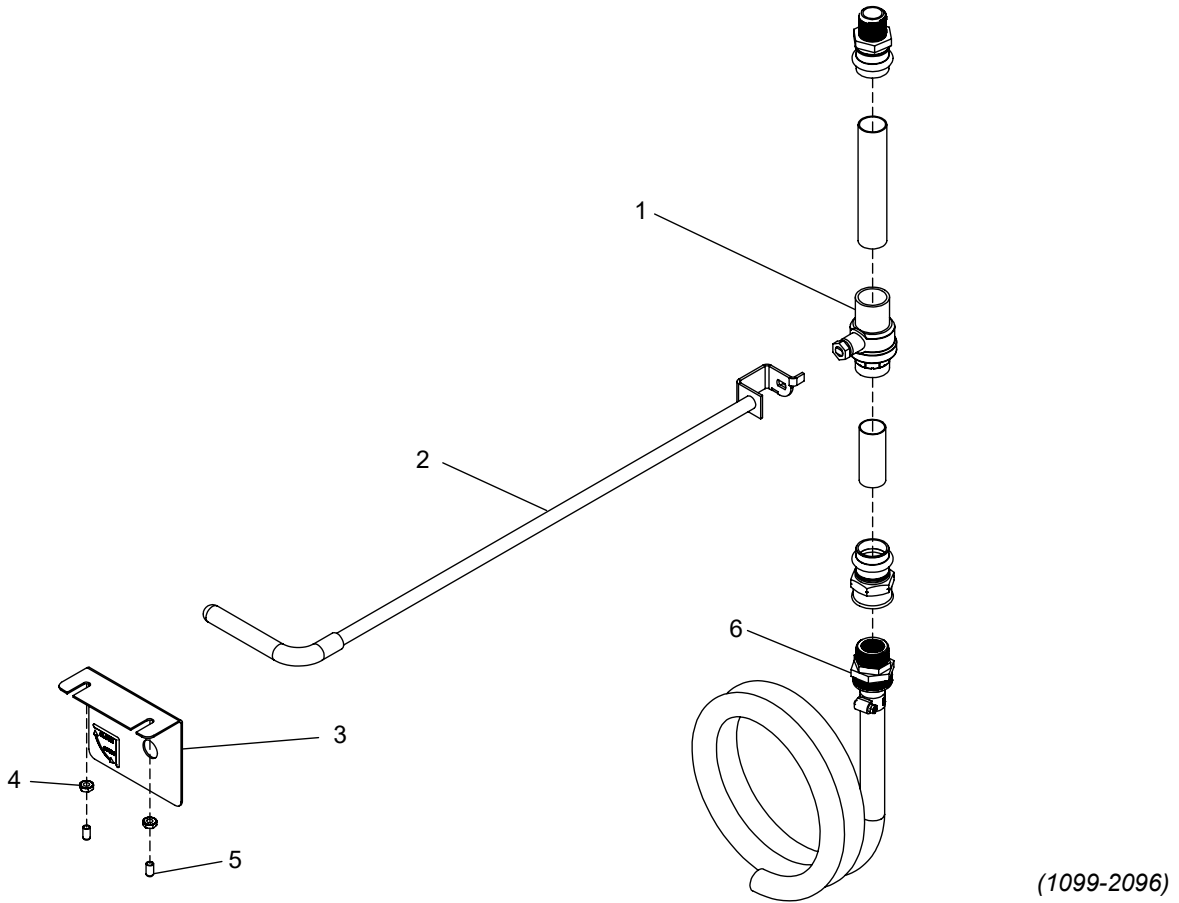
Item	Part #	Description	Qty
1	157725	RTD Assembly, 1000 Ohm 54" Leads	1
2	524831	Element, Firebar 120V 625W, 5/8" W/24" Leads, Formed	1
3	1099-0182	Firebar Heater Bracket	3
4	226758	Insulation, Mineral Wool 1" X 8-7/8" X 16-1/8"	1
5	1099-2054K	Service Replacement, Heater Cover Assembly	1
6	212023	Bushing, Heyco	1
7	226759	Thermostat, Hi-Limit	1
8	523045	Spacer, Round #4 Aluminum 1/8"	2
9	213455	Nut, Keps 4-40 Hex Zinc	2
10	1099-0415	RTD Tension Clip	1
11	213322	Nut Keps 10-24, Stainless	
12	524860	Liner, Silicone, Heated Well, W/Logo (<i>Units Without Drain</i>)	1

HOT COLD FREEZE - 516825 CONDENSING UNIT



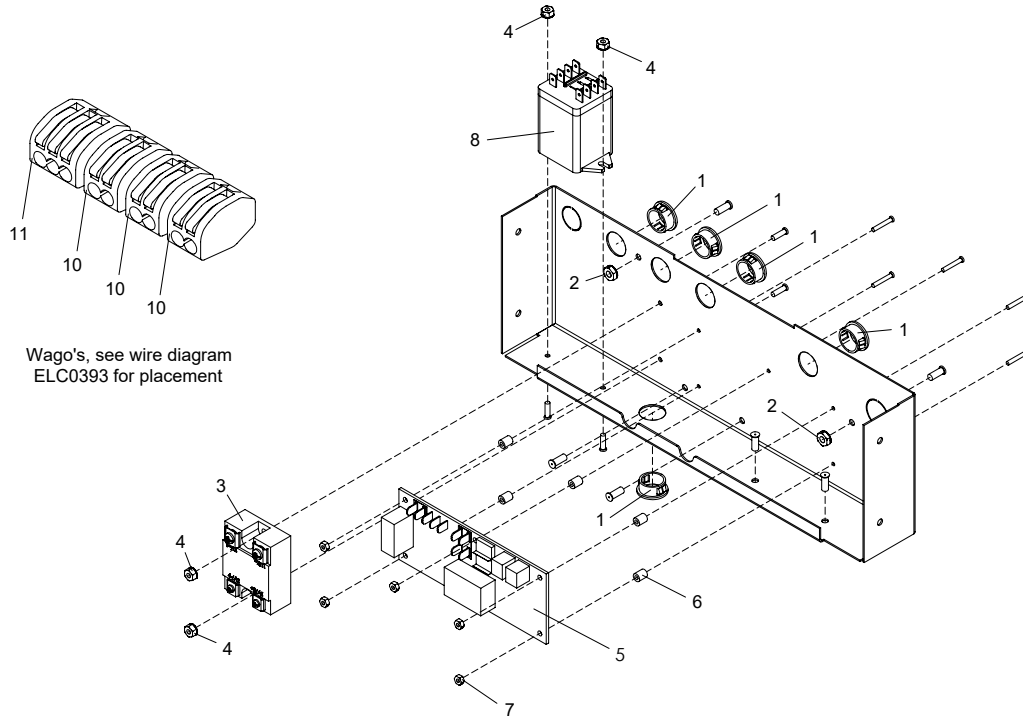
Item	Part #	Description	Qty
1	527819	Coil, Condenser	1
2	527821	Fan Guard, Condenser Coil	1
3	527818	Reciever	1
4	516832	Compressor	1
5	527894	Check Valve	1
6	527114	Start Capacitor	1
7	227842	Relay	1
8	227841	Overload Protector	1
9	527822	Fan Guard Shroud	1
10	527117	Fan Motor	1
11	227845	Fan Blade	1

HOT COLD FREEZE - 1 WELL DRAIN MANIFOLD

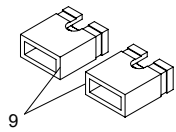


Item	Part #	Description	Qty
1	215381	Valve, Ball 3/4" Copper Sweat	1
2	T998071K	Service, Drain Handle Assembly	1
3	1099-0442	Drain Bracket	1
4	213322	Nut Keps 10-24, Stainless	2
5	213326	Cap, Plastic-Thread Cover Black, .172-.375 Size	2
6	1099-2099	Drain Hose Assembly	1

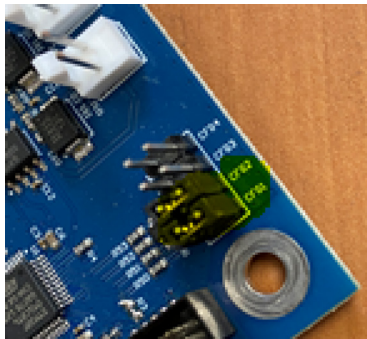
HOT COLD FREEZE - 1 WELL CHASE ASSEMBLY



Wago's, see wire diagram
ELC0393 for placement



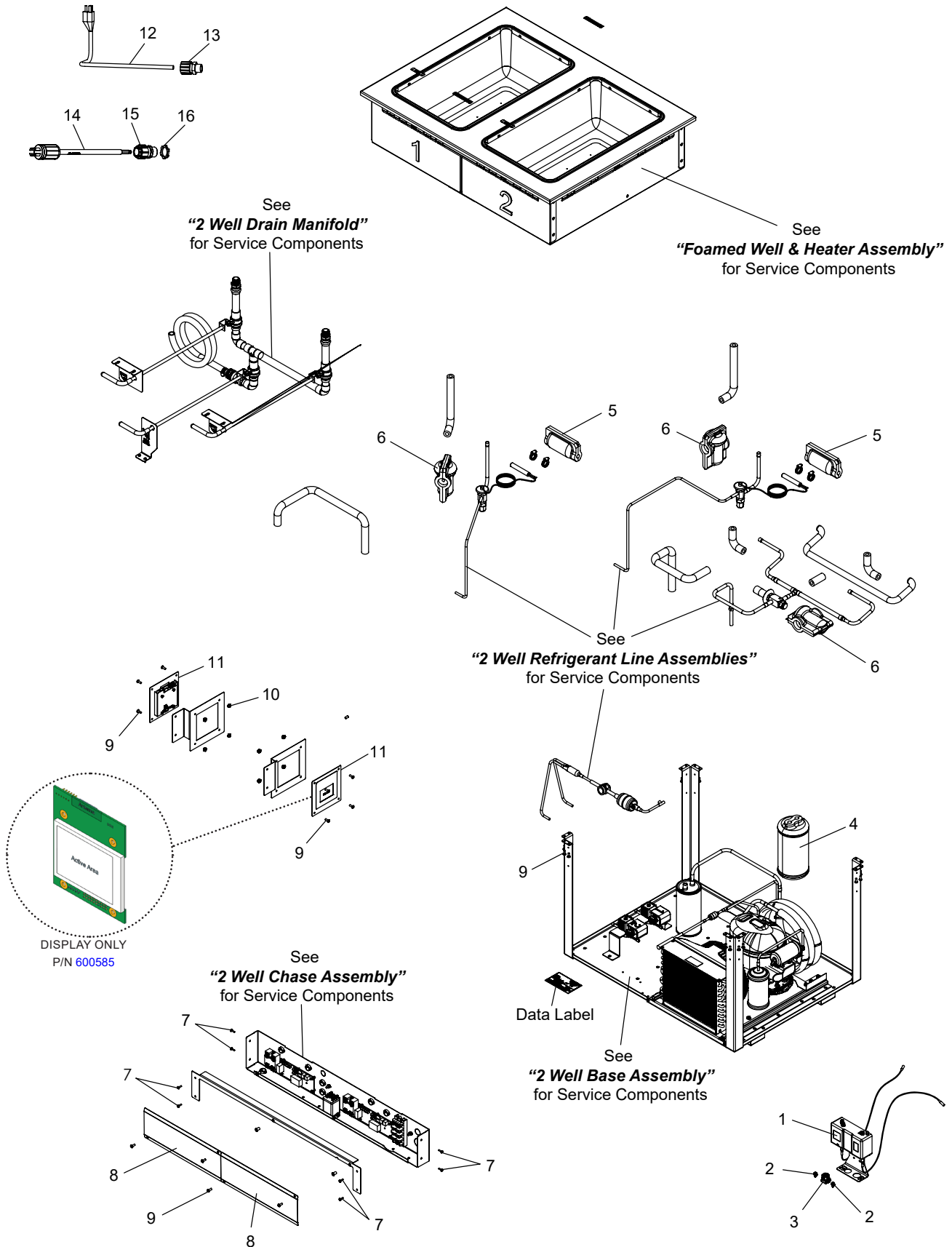
Two jumpers,
install on IOA
Board at these
locations



(1099-2042)

Item	Part #	Description	Qty
1	155773	Bushing Heyco, 3/4	5
2	213322	Nut Keps 10-24, Stainless	2
3	600373	Kit, Solid State Relay Replacement	1
4	653035	Nut, 6-32 Kep Zinc Plated	4
*5	600586	Kit, loa Elc0805 Only Board Replacement (See: Table 1 on Page 33)	1
6	166100	Spacer, Tube Nylon 0.250d X 0.125id X 0.375h	5
7	112807	Nut, 4-40 Locknut Nylon Insert Thin Pattern Zinc Plated	5
8	290432	Picker Relay Replacement Kit	1
9	ELC0451	Shunt, Jumper 2-Pos	2
10	155811	Connector, Wago 222-412, 2 Conductor	3
11	212107	Connector, Wago 222-413, 3 Conductor	1

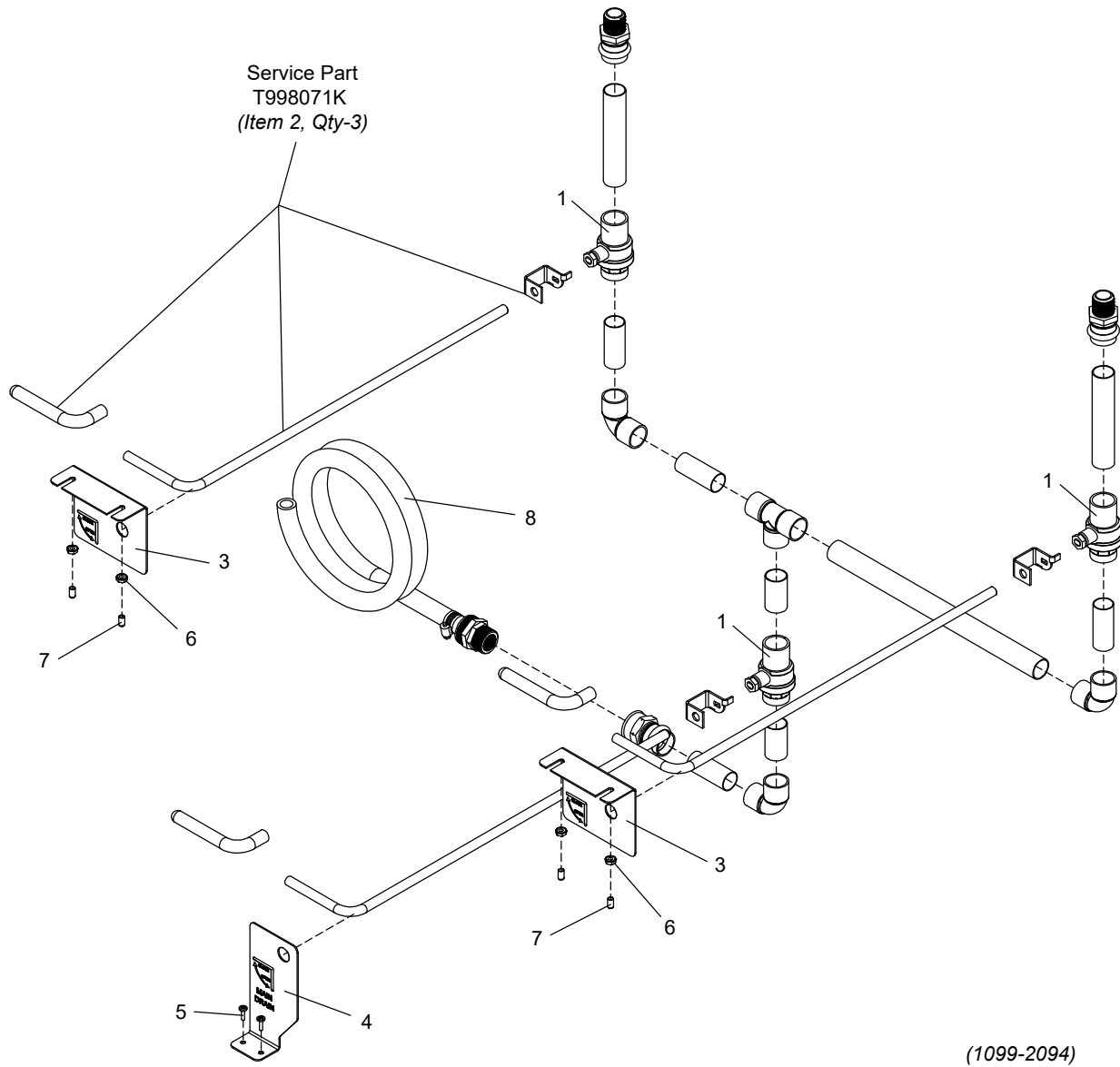
HOT COLD FREEZE - 2 WELL UNIT



HOT COLD FREEZE - 2 WELL UNIT

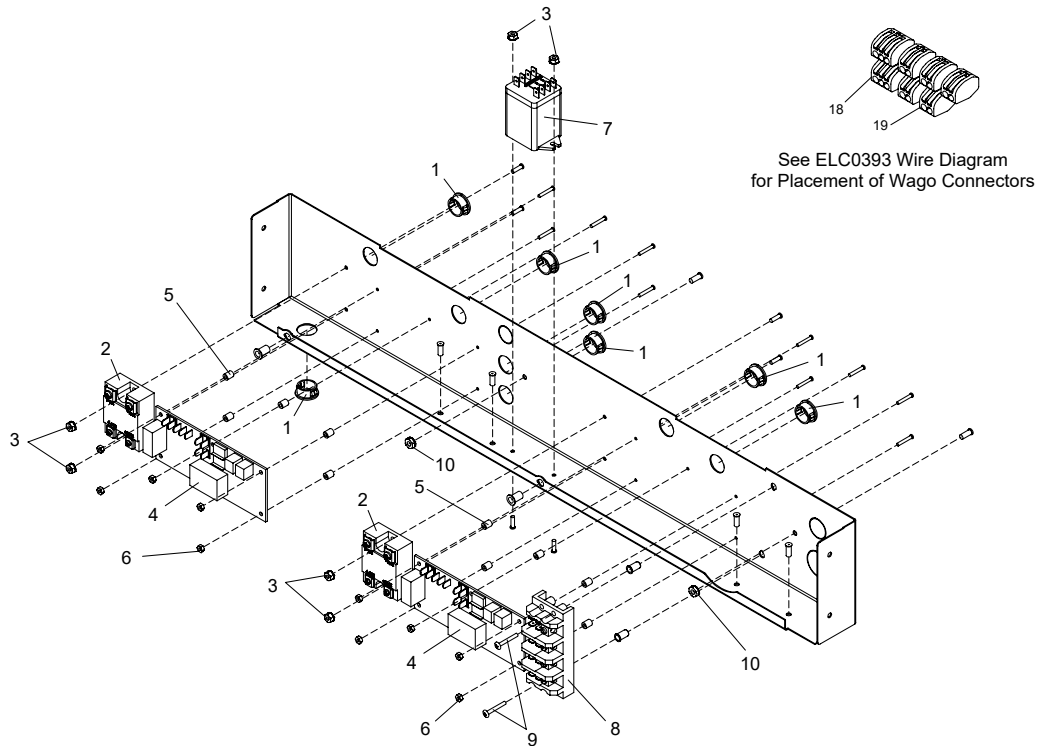
Item	Part #	Description	Qty
1	216891-1	Preset Dual Pressure Switch	1
2	169781	Screw, 10-24 X 3/8" Flg Head Ser Ss	2
3	222101	Bushing, Heyco 1280 Strain Relief	1
4	526805	Insulation, Accumulator 3" Dia. 3/8" Fittings	1
5	216860	Insulation, Txv Bulb	2
6	216859	Insulation, Txv Wrap	3
7	213032	Screw, 8-18 X 1/2" Tek Phil	8
8	1099-0376	Chase Cover, 2 Well	2
9	213064	Screw, 10-24 X 1/2" Tcs Rd H	28
10	213322	Nut Keps 10-24, Stainless	8
*11	600585	Kit, loc-G Elc0804 Only Board Replacement <i>(See: Table 1 on Page 33)</i>	2
12	212170	Cord, W/Plug 5-15 14/3 6 Ft 15a 1ph	1
13	212117	Strain Relief, W/1/2" Lock Nut Shc1022cr	1
14	ELC0156	Nema L14-20p Molded Power Cord	1
15	115357	Connector, 3/4" Liquidtight	1
16	167568	Locknut, Conduit 3/4"	1
HCF-2 Well Wire Harness List (Ref. 1099-2060)			
Not Shown	ELC0376	Harness, loa To Refrig Valve 30"	1
Not Shown	ELC0377	Harness, loa To Refrig Valve 40"	1
Not Shown	ELC0379	Harness, Heat Ssr 120v-loa	1
Not Shown	ELC0380	Jumper, loa Ssr Trigger	2
Not Shown	ELC0382	Jumper, Compressor Cntl	1
Not Shown	ELC0383	Harness, loa 120v Power - 11"	1
Not Shown	ELC0385	Harness, loa 120v Power - 25"	1
Not Shown	ELC0386	Harness, loa Heat & Refrig 120v	1
Not Shown	ELC0388	Jumper, Can loa To loa 20"	1
Not Shown	ELC0454	Jumper, High Limit	4
Not Shown	ELC0457	Harness- loa To loc-G 72"	2
Not Shown	ELC0465	Jumper, Cntl To UI Pressure Sw-Hcf	1

HOT COLD FREEZE - 2 WELL DRAIN MANIFOLD

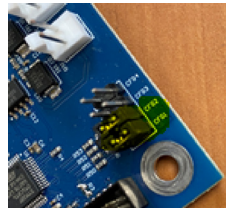
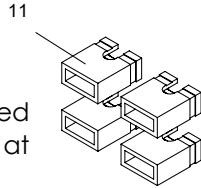


Item	Part #	Description	Qty
1	215381	Valve, Ball 3/4" Copper Sweat	3
2	T998071K	Service, Drain Handle Assembly	3
3	1099-0442	Drain Bracket	2
4	1099-0443	Drain Bracket	1
5	213032	SCREW, 8-18 X 1/2" TEK PHIL	2
6	213322	Nut Keps 10-24, Stainless	4
7	213326	Cap, Plastic-Thread Cover Black, .172-.375 Size	4
8	1099-2099	Drain Hose Assembly	1

HOT COLD FREEZE - 2 WELL CHASE ASSEMBLY



Two jumpers, installed on each IOABoard at these locations

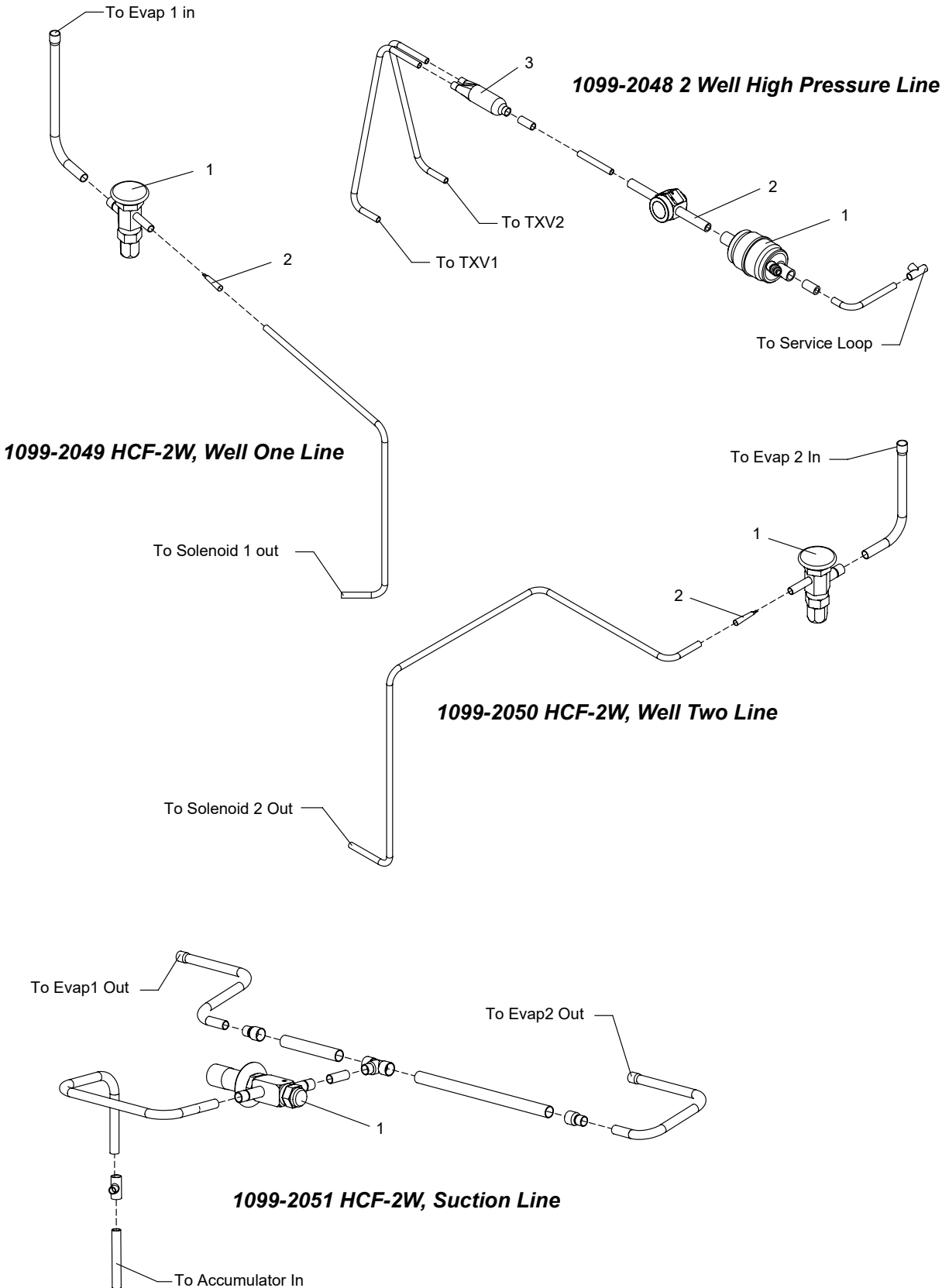


(1099-2058)

Item	Part #	Description	Qty
1	155773	Bushing Heyco, 3/4	7
2	600373	Kit, Solid State Relay Replacement	2
3	653035	Nut, 6-32 Kep Zinc Plated	6
*4	600586	Kit, loa Elc0805 Only Board Replacement (See: Table 1 on Page 33)	2
5	166100	Pacer, Tube Nylon .25od X .125id X .375h	10
6	112807	Nut, 4-40 Locknut Nylon Insert Thin Pattern Zinc Plated	10
7	290432	Picker Relay Replacement Kit	1
8	120001	Block, Terminal 4 Pole	1
9	10280000	Screw, 8-32 X 1"Tr Ph Ss Machine	2
10	213322	Nut Keps 10-24, Stainless	2
11	ELC0451	Shunt, Jumper 2-Position	4
12	212107	Connector, Wago 222-413, 3 Conductor	2
13	155811	Connector, Wago 222-412, 2 Conductor	5



HOT COLD FREEZE - 2 WELL REFRIGERANT LINE ASSEMBLIES



HOT COLD FREEZE - 2 WELL REFRIGERANT LINE ASSMBLIES

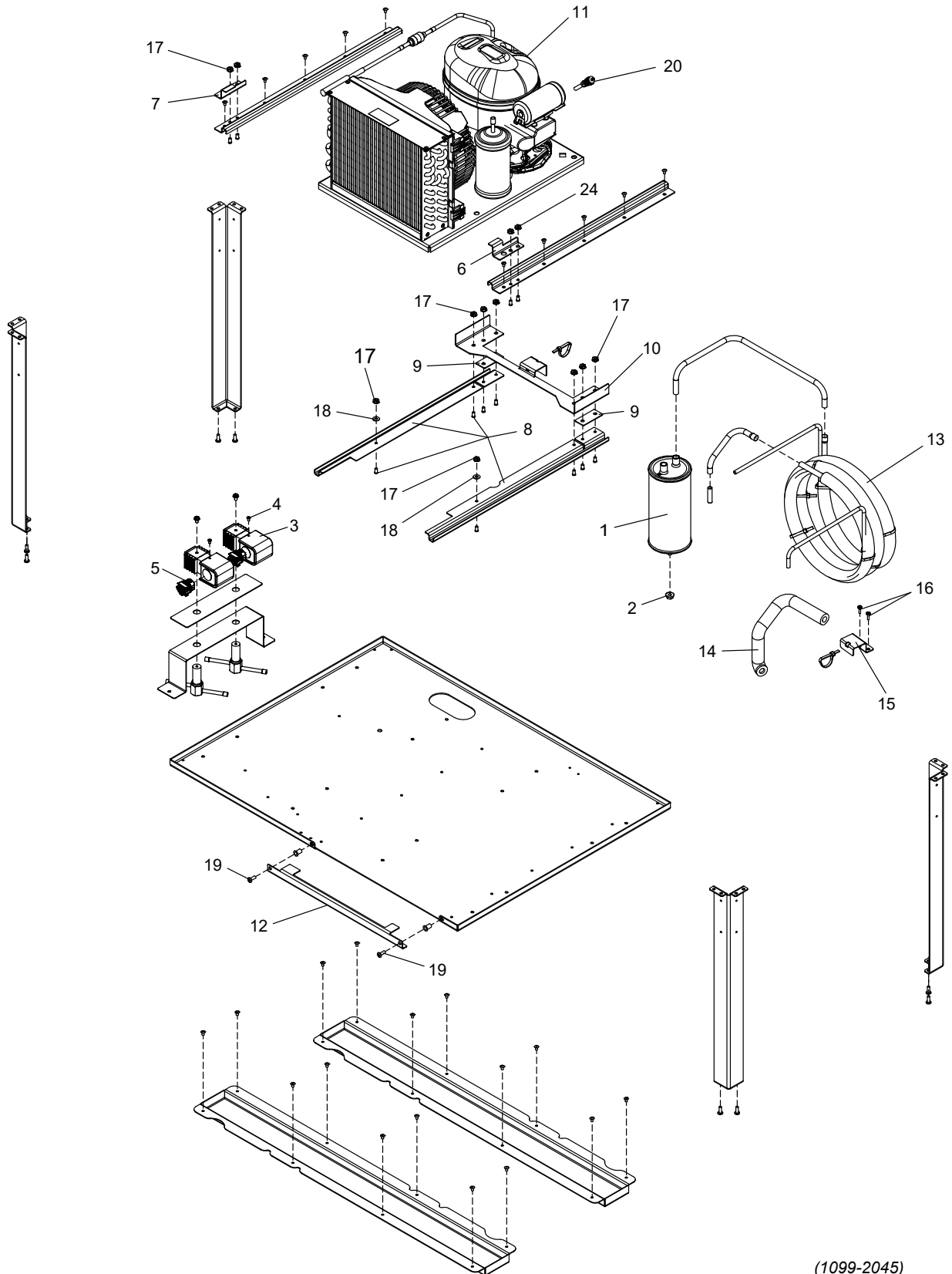
1099-2048 2 WELL HIGH PRESSURE LINE			
Item	Part #	Description	Qty
1	226039	Drier, Filter	1
2	216415	Sight Glass	1
3	226832	Distributor	1

1099-2049 HCF-2W, WELL ONE LINE			
Item	Part #	Description	Qty
1	526315-2	Valve 526315 Adjusted On Flow Bench	1
2	226959	Strainer, #1543-002 Screen, 1/4 Odf	1

1099-2050 HCF-2W, WELL TWO LINE			
Item	Part #	Description	Qty
1	526315-2	Valve 526315 adjusted on Flow Bench	1
2	226959	STRAINER, #1543-002 SCREEN, 1/4 ODF	1

1099-2051 HCF-2W, SUCTION LINE			
Item	Part #	Description	Qty
1	226045	VALVE, SPORLAN CRO-4-07/75 3X3 ODF	1

HOT COLD FREEZE - 2 WELL BASE ASSEMBLY

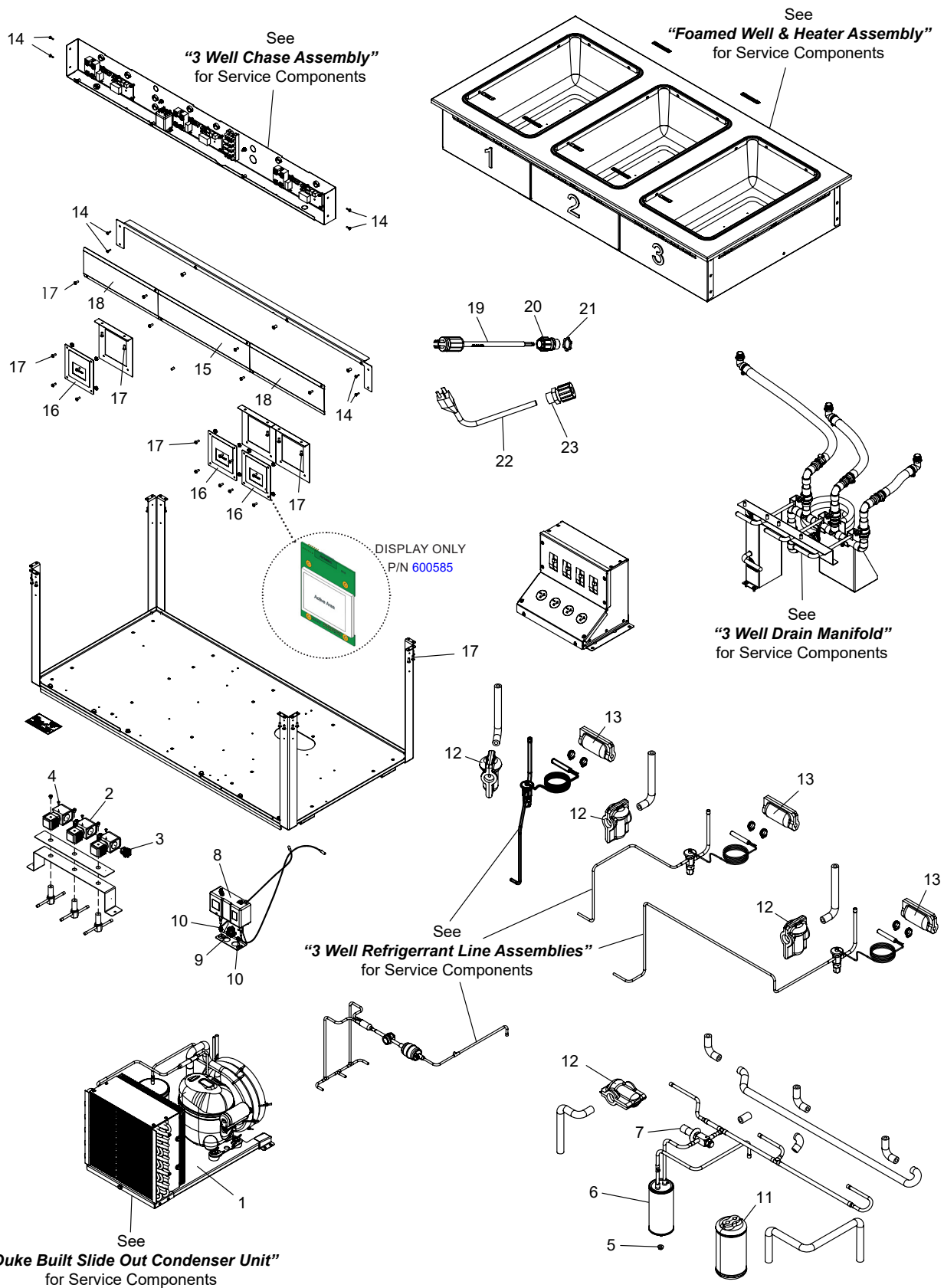


(1099-2045)

HOT COLD FREEZE - 2 WELL BASE ASSEMBLY

Item	Part #	Description	Qty
1	226117	Accumulator, Sporlan 3" Dia. 3/8" Fittings 1bs	1
2	213042	Nut, 1/4-20 Serrated Zinc	1
3	216553	Solenoid, Refrigeration W/Coil 120v	2
4	512901	Screw, 6-32 X 1/4" Pan Headtrilobular, Thread Rolling	2
5	222101	Bushing, Heyco 1280 Strain Relief	2
6	1099-0358	Condenser Unit Slide Stop Angle	1
7	1099-0359	Condenser Unit Slide Stop Angle, Mirror	1
8	1099-0356-7K	Service-Cond. Unit Slide, Inner & Mirror <i>(Pem Studs Installed)</i>	1
9	1099-0360	Condenser Unit Slide Spacer	2
10	1099-0361	Condenser Unit Slide Support	1
11	516825	Condenser Unit (Hcf-1 & 2) 120v 60hz (See "516825 Condensing Unit")	1
12	1099-0362	Condenser Unit Restraint Bracket	1
13	1099-2057K	Service Part-Service Loop Assembly	1
14	1099-0367	Insulation, Tube Service Loop	1
15	1099-0363	Service Loop Bracket	1
16	213032	Screw, 8-18 X 1/2" Tek Phil	2
17	213322	Nut Keps 10-24, Stainless	12
18	213056	Washer, 10 Flat Zinc	2
19	213064	Screw, 10-24 X 1/2" Tcs Rd H	10
20	216547	Valve 1/4 Schrader Refrigeration	1

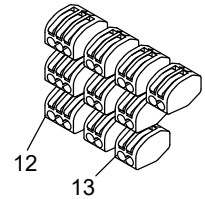
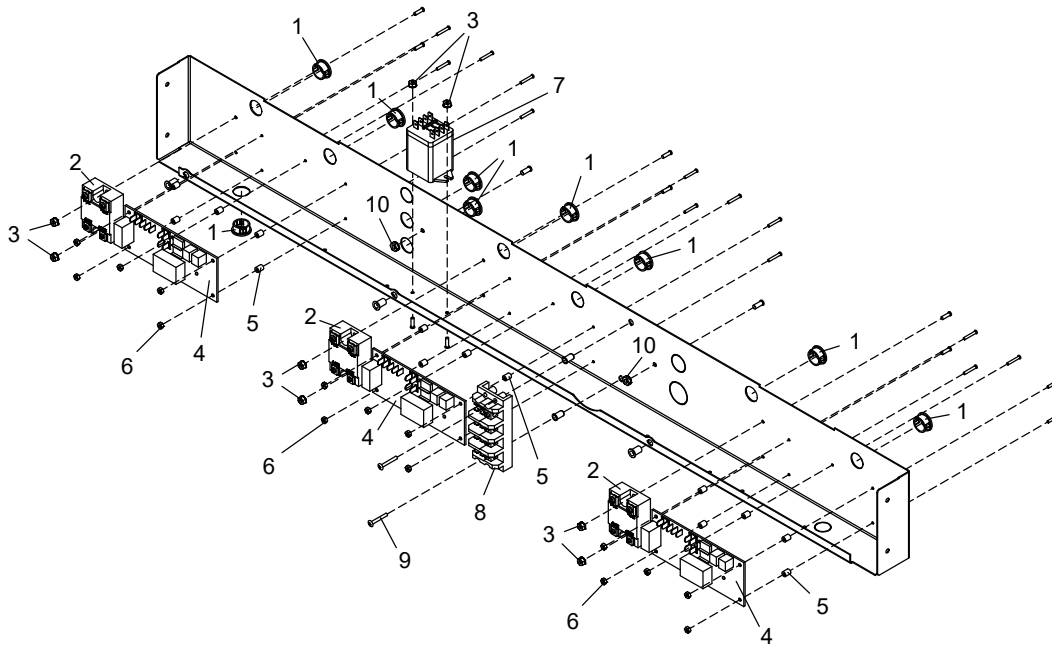
HOT COLD FREEZE - 3 WELL UNIT



HOT COLD FREEZE - 3 WELL UNIT

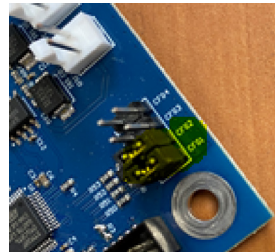
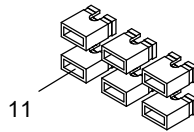
Item	Part #	Description	Qty
1	1099-2055K	Service-Condensing Unit, Slide Out, Duke Built	1
2	216553	Solenoid, Refrig W/Coil 120v	3
3	222101	Bushing, Heyco 1280 Strain Relief	3
4	512901	Screw, 6-32 X 1/4" Pn Ph Bo-Tap Tite Thrd Rlg Black Oxide	3
5	213042	Nut, 1/4-20 Serrated Zinc	5
6	226117	Accumulator, Sporlan 3" Dia. 3/8" Fittings 1bs	1
7	226045	Valve, Sporlan Cro-4-07/75 3x3 Odf	1
8	216891-1	Preset Dual Pressure Switch	1
9	222101	Bushing, Heyco 1280 Strain Relief	1
10	169781	Screw, 10-24 X 3/8" Flg Head Ser Ss	2
11	526805	Insulation, Accumulator 3" Dia. 3/8" Fittings	1
12	216859	Insulation, Txv Wrap	4
13	216860	Insulation, Txv Bulb	3
14	213032	Screw, 8-18 X 1/2" Tek Phil	8
15	1099-0268	Chase Cover, 3 Well, Center	1
*16	600585	Kit, loc-G Elc0804 Only Board Replacement (<i>See: Table 1 on Page 33</i>)	3
17	213064	Screw, 10-24 X 1/2" Tcs Rd H	39
18	1099-0267	Chase Cover, 3 Well, Ends	2
19	ELC0156	Nema L140p Molded Power Cord	1
20	115357	Connector, 3/4" Liquidtight	1
21	167568	Locknut, Conduit 3/4"	1
22	222100	Cord With Plug, 120v, 20a	1
23	212110	Strain Relief With Nut	1
HCF-3 Well Wire Harness List (Ref. 1099-2061)			
Not Shown	ELC0376	Harness, loa To Refrig Valve 30"	1
Not Shown	ELC0377	Harness, loa To Refrig Valve 40"	1
Not Shown	ELC0378	Harness, loa To Refrig Valve 50"	1
Not Shown	ELC0379	Harness, Heat Ssr 120v-loa	2
Not Shown	ELC0380	Jumper, loa Ssr Trigger	3
Not Shown	ELC0382	Jumper, Compressor Cntl	1
Not Shown	ELC0383	Harness, loa 120v Power - 11"	1
Not Shown	ELC0384	Harness, loa 120v Power - 18"	1
Not Shown	ELC0385	Harness, loa 120v Power - 25"	1
Not Shown	ELC0386	Harness, loa Heat & Refrig 120v	1
Not Shown	ELC0389	Jumper, Can loa 3-Well Hcf	1
Not Shown	ELC0454	Jumper, High Limit	6
Not Shown	ELC0457	Harness-loa To loc-G 72"	3
Not Shown	ELC0465	Jumper, Cntl To UI Pressure Sw-Hcf	1

HOT COLD FREEZE - 3 WELL CHASE ASSEMBLY



Wago's, see wire diagram ELC0393 for placement

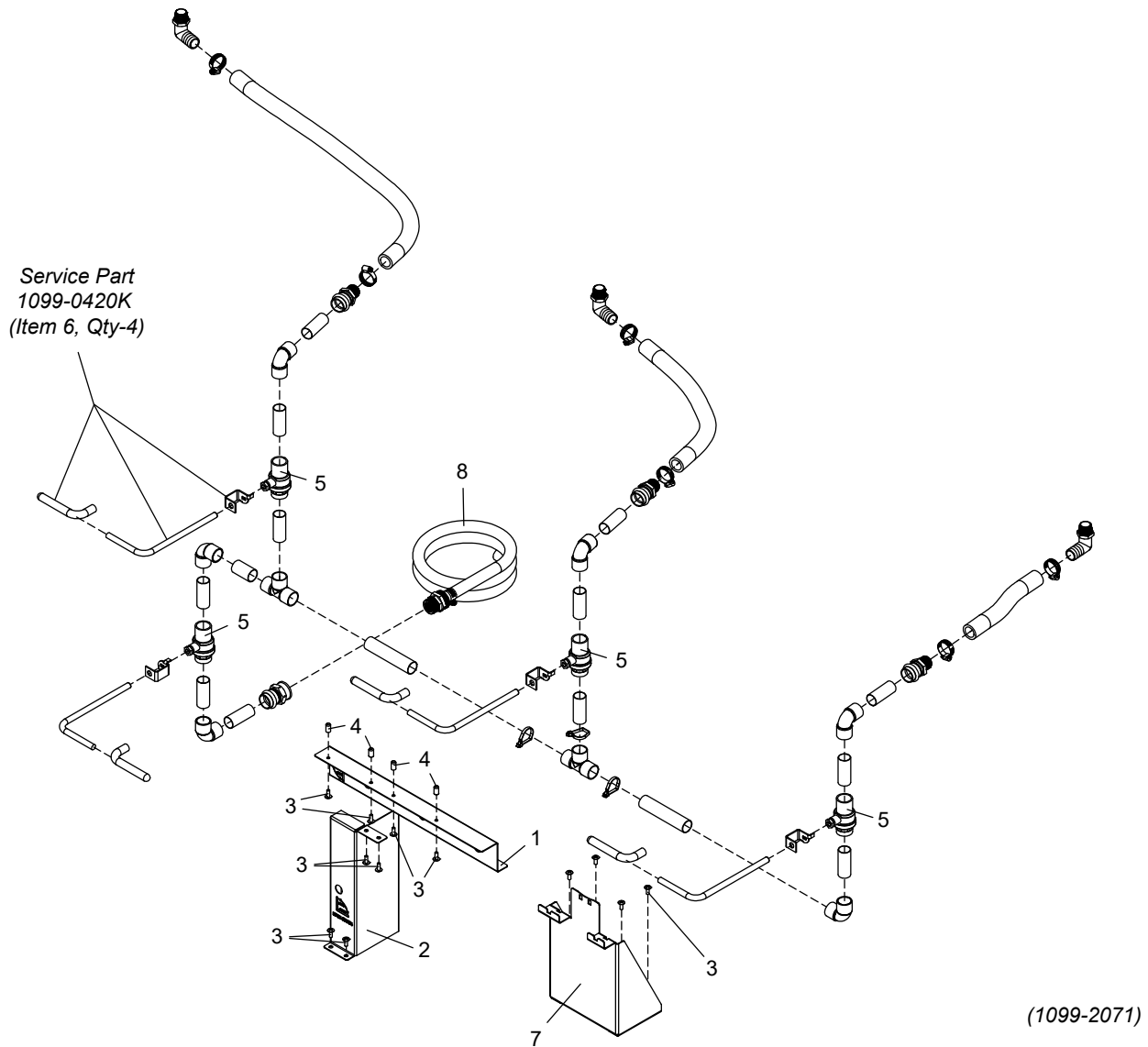
Two jumpers, installed on each IOABoard at these locations



(1099-2037)

Item	Part #	Description	Qty
1	155773	Bushing Heyco, 3/4	9
2	600373	Kit, Solid State Relay Replacement	3
3	653035	Nut, 6-32 Kep Zinc Plated	8
*4	600586	Kit, loa ELC0805 Only Board Replacement (See: Table 1 on Page 33)	3
5	166100	Spacer, Tube Nylon 0.25od X 0.125id X 0.375h	15
6	112807	Nut, 4-40 Locknut Nylon Insert Thin Pattern Zinc Plated	15
7	290432	Picker Relay Replacement Kit	1
8	120001	Block, Terminal 4 Pole	1
9	10280000	Screw, 8-32 X 1"Tr Ph Ss Machine	2
10	213322	Nut Keps 10-24, Stainless	2
11	ELC0451	Shunt, Jumper 2-Position	6
12	212107	Connetor, Wago 222-413, 3 Conductor	3
13	155811	Connetor, Wago 222-412, 2 Conductor	7

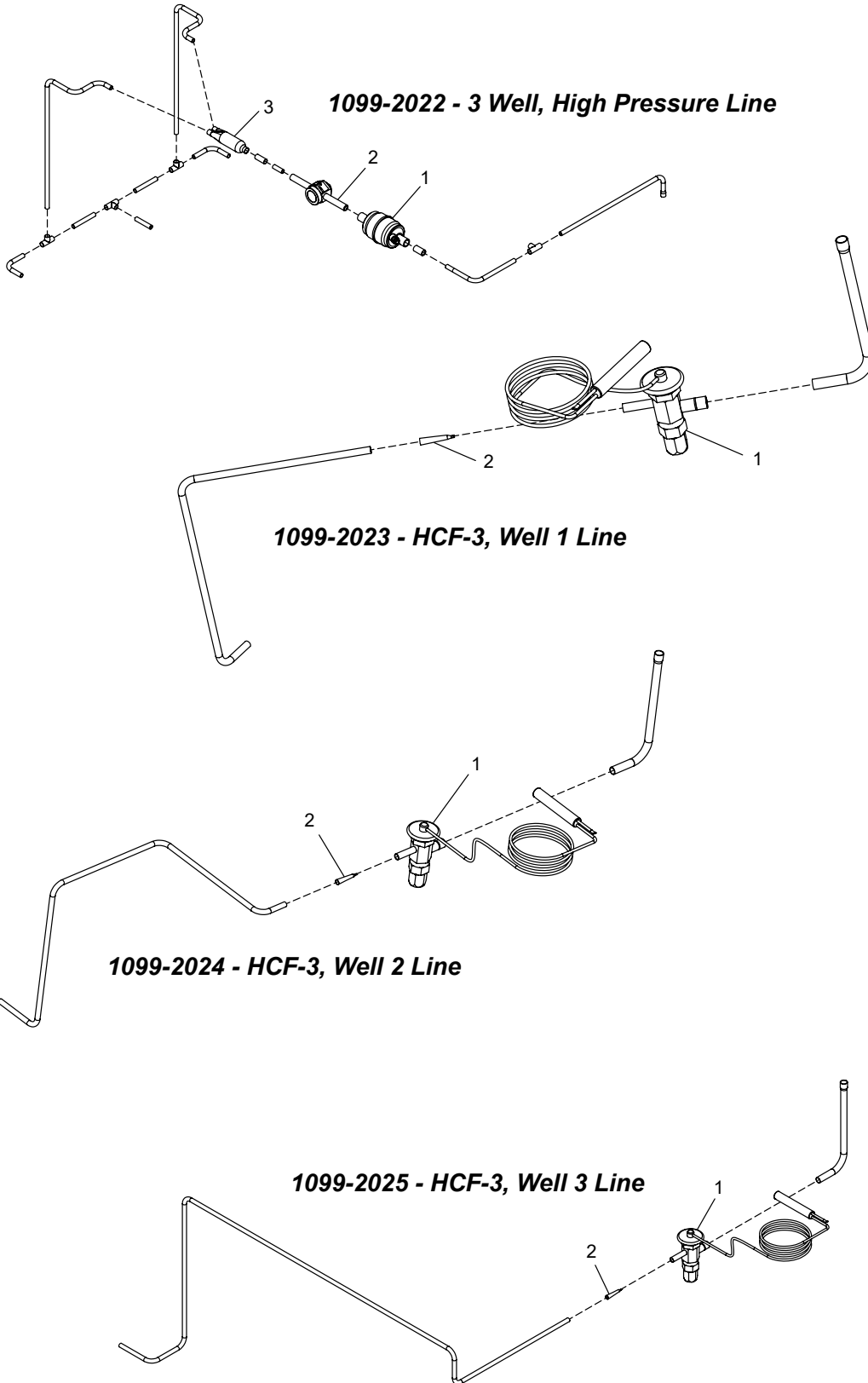
HOT COLD FREEZE - 3 WELL DRAIN MANIFOLD



Item	Part #	Description	Qty
1	1099-0432	Hcf Icb Drain Lever Bracket	1
2	1099-0433	Hcf Icb Main Drain Bracket	1
3	213027	Screw, 10-24 X 1/2" Pthms S/S	12
4	213326	Cap, Plastic-Thread Cover Black, .172-.375 Size	4
5	215381	Valve, Ball 3/4" Copper Sweat	4
6	1099-0420K	Service-Hcf Icb Drain Handle	4
7	1099-0435	Hcf Icb Drain Manifold Bracket	1
8	1099-2099	DRAIN HOSE ASSEMBLY	1



HOT COLD FREEZE - 3 WELL REFRIGERANT LINE ASSEMBLIES



HOT COLD FREEZE - 3 WELL REFRIGERANT LINE ASSEMBLIES

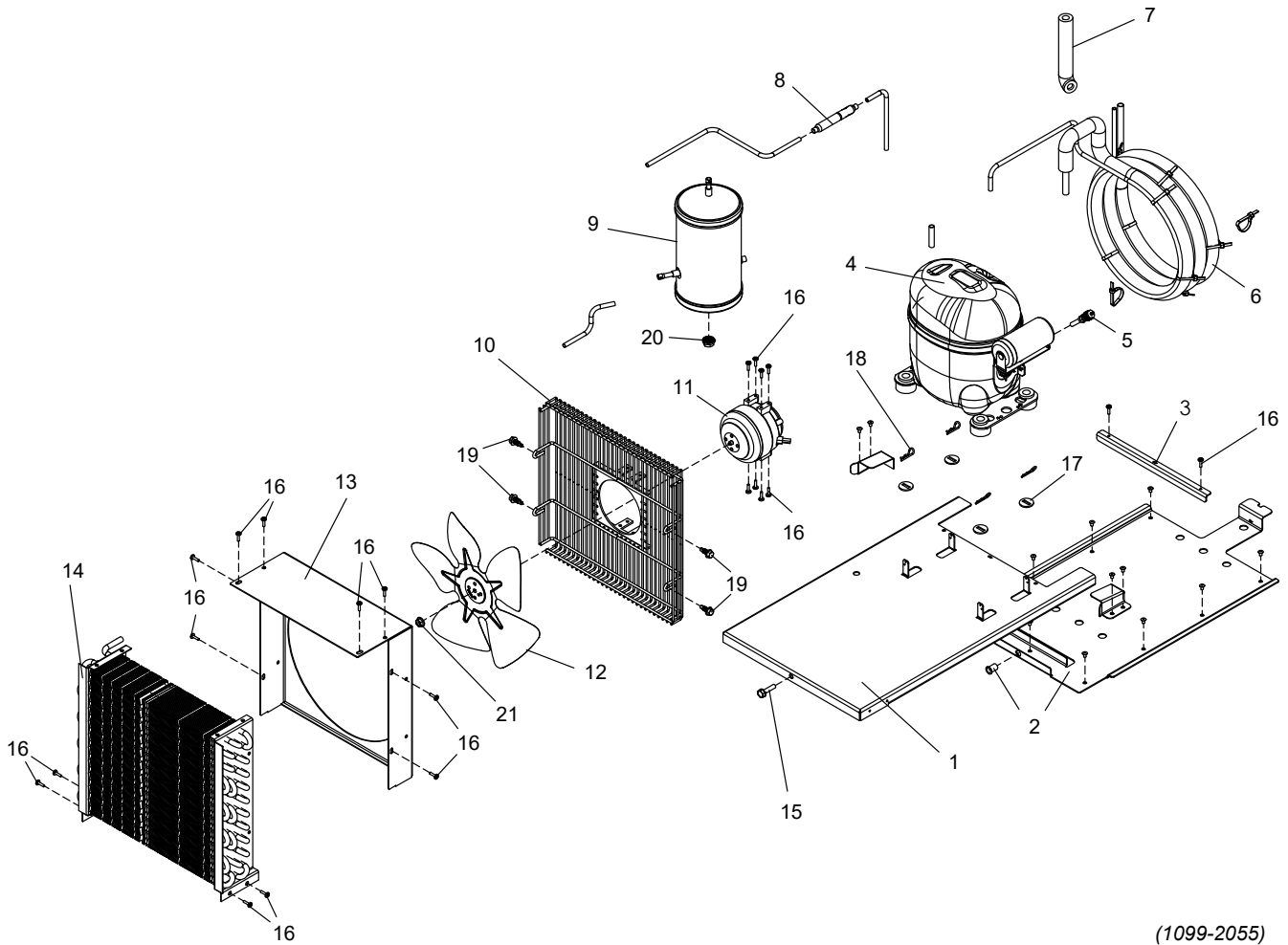
1099-2022 - 3 WELL, HIGH PRESSURE LINE			
Item	Part #	Description	Qty
1	226039	Drier, Filter	1
2	216415	Glass, Sight	1
3	226832	Distributor	1

1099-2023 - HCF-3, WELL 1 LINE			
Item	Part #	Description	Qty
1	526315-2	Valve 526315 Adjusted On Flow Bench	1
2	226959	Strainer, #1543-002 Screen, 1/4 Odf	1

1099-2024 - HCF-3, WELL 2 LINE			
Item	Part #	Description	Qty
1	526315-2	Valve 526315 Adjusted On Flow Bench	1
2	226959	Strainer, #1543-002 Screen, 1/4 Odf	1

1099-2025 - HCF-3, WELL 3 LINE			
Item	Part #	Description	Qty
1	526315-2	Valve 526315 Adjusted On Flow Bench	1
2	226959	Strainer, #1543-002 Screen, 1/4 Odf	1

HOT COLD FREEZE - DUKE BUILT SLIDE OUT CONDENSER UNIT

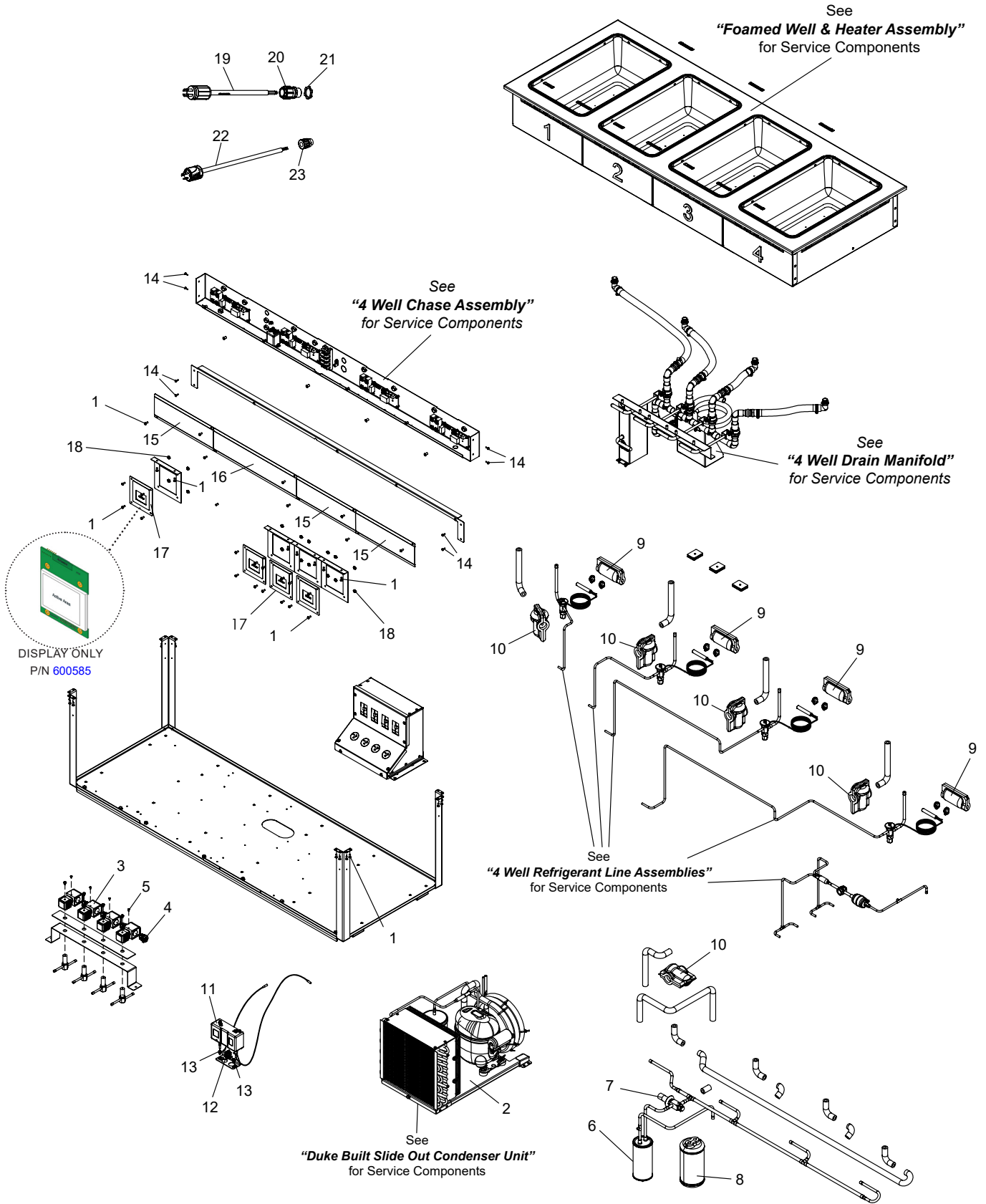


(1099-2055)

HOT COLD FREEZE - DUKE BUILT SLIDE OUT CONDENSER UNIT

Item	Part #	Description	Qty
1	1099-0338	Condensing Unit Base	1
2	1099-0337k	Service-Condensing Unit Slide Bracket With Nutsert	1
3	1099-0328	Condensing Unit Angle Stop	1
4	527893	Compressor	1
5	216547	Valve 1/4 Schrader	1
6	1099-2054K	Service Part-Service Loop Assembly	1
7	1099-0336	Insulation, Tube Loop To Compressor	1
8	526702	Valve, Check 1/4" Odf. X 1/4"Odf	1
9	524870	Receiver, 1/4 " Connection	1
10	527890	Guard, Fan	1
11	527888	Motor, Fan	1
12	527889	Blade, Fan	1
13	1099-0186	Condensing Coil Fan Shroud	1
14	526842	Coil, Condenser	1
15	213024	Screw, 1/4-20 X 1" Thread Form	1
16	213032	Screw, 8 X 1/2 Tek Phil.	22
17	290047	Washer, Compressor	4
18	213217	Clip. Hairpin	4
19	513023	Screw, 1/4-20 X 3/4" lhxw Us Sp Tt	4
20	274702	Nut, 3/8-16 Ss Serrated Flange Hex Locknut	1
21	213042	Nut, 1/4-20 Serrated Zinc	1

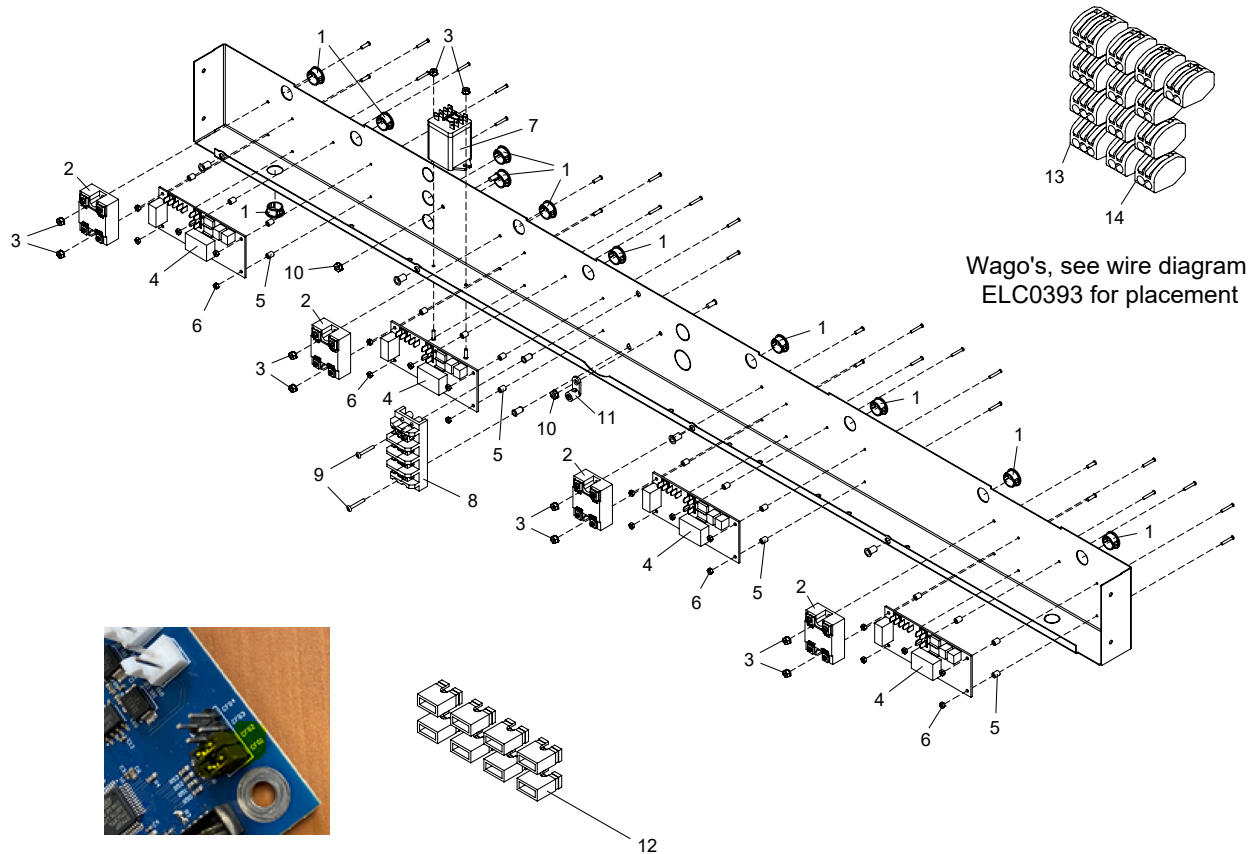
HOT COLD FREEZE - 4 WELL UNIT



HOT COLD FREEZE - 4 WELL UNIT

Item	Part #	Description	Qty
1	213064	Screw, 10-24 X 1/2 Phil.	47
2	1099-2055K	Service-Condensing Unit, Slide Out, Duke Built	1
3	216553	Solenoid, Refrig W/Coil 120v	4
4	222101	Bushing, Heyco 1280 Strain Relief	4
5	512901	Screw, 6-32 X 1/4" Pn Ph Bo-Tap Tite Thrd Rlg Black Oxide	4
6	226117	Accumulator, Sporlan 3" Dia. 3/8" Fittings 1bs	1
7	226045	Valve, Sporlan Cro-4-07/75 3x3 Odf	1
8	526805	Insulation, Accumulator 3" Dia. 3/8" Fittings	1
9	216860	Insulation, Txv Bulb	4
10	216859	Insulation, Txv Wrap	5
11	216891-1	Preset Dual Pressure Switch	1
12	222101	Bushing, Heyco 1280 Strain Relief	1
13	169781	Screw, 10-24 X 3/8" Flg Head Ser SS	2
14	213032	Screw, 8-18 X 1/2" Tek Phil	8
15	1099-0267	Chase Cover, 3 Well, Ends	3
16	1099-0275	Chase Cover, 4 Well	1
*17	600585	Kit, loc-G Elc0804 Only Board Replacement (See: Table 1 on Page 33)	4
18	213322	Nut Keps 10-24, Stainless	16
19	ELC0156	Nema L140p Molded Power Cord	1
20	115357	Connector, 3/4" Liquidtight	1
21	167568	Locknut, Conduit 3/4"	1
22	157001	Cord Set, 125v L5-30	1
23	212119	Strain Relief, W/ 3/4" Lock Nut	1
Hcf-4 Well Wire Harness List (Ref. 1099-2062)			
Not Shown	ELC0376	Harness, loa To Refrig Valve 30"	1
Not Shown	ELC0377	Harness, loa To Refrig Valve 40"	1
Not Shown	ELC0378	Harness, loa To Refrig Valve 50"	1
Not Shown	ELC0379	Harness, Heat Ssr 120v-loa	3
Not Shown	ELC0380	Jumper, loa Ssr Trigger	4
Not Shown	ELC0382	Jumper, Compressor Cntl	1
Not Shown	ELC0383	Harness, loa 120v Power - 11"	1
Not Shown	ELC0384	Harness, loa 120v Power - 18"	1
Not Shown	ELC0385	Harness, loa 120v Power - 25"	1
Not Shown	ELC0386	Harness, loa Heat & Refrig 120v	1
Not Shown	ELC0390	Jumper, Can loa 4-Well Hcf	1
Not Shown	ELC0396	Harness, loa To Refrig Valve 70"	1
Not Shown	ELC0401	Harness, loa 120v Power 32"	1
Not Shown	ELC0454	Jumper, High Limit	8
Not Shown	ELC0457	Harness- loa To loc-G 72"	4
Not Shown	ELC0465	Jumper, Cntl To UI Pressure Sw-Hcf	1

HOT COLD FREEZE - 4 WELL CHASE ASSEMBLY

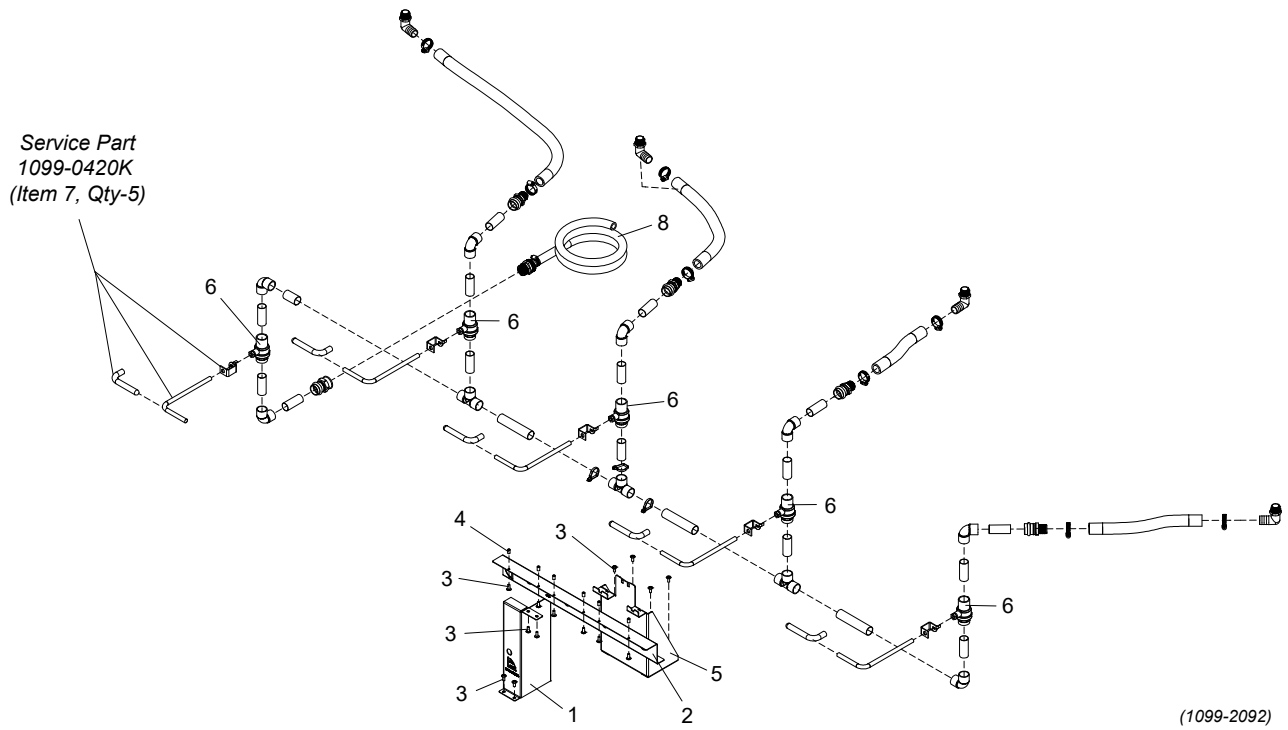


Two jumpers, install on each IOA Board at these locations

(1099-2039)

Item	Part #	Description	Qty
1	155773	Bushing Heyco, 3/4	11
2	600373	Kit, Solid State Relay Replacement	4
3	653035	Nut, 6-32 Kep Zinc Plated	10
*4	600586	Kit, loa Elc0805 Only Board Replacement	4
5	166100	Spacer, Tube Nylon 0.25od X 0.125id X 0.375h	20
6	112807	Nut, 4-40 Locknut Nylon Insert Thin Pattern Zinc Plated	20
7	290432	Picker Relay Replacement Kit	1
8	120001	Block, Terminal 4 Pole	1
9	10280000	Screw, 8-32 X 1"Tr Ph Ss Machine	2
10	213322	Nut Keps 10-24	2
11	212837	Ground Lug	1
12	ELC0451	Shunt, Jumper 2-Position	8
13	212107	Connetor, Wago 222-413, 3 Conductor	4
14	155811	Connetor, Wago 222-412, 2 Conductor	9

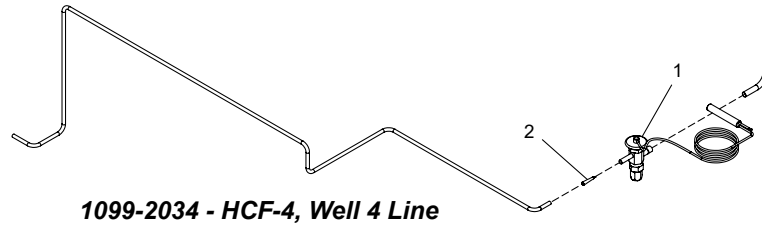
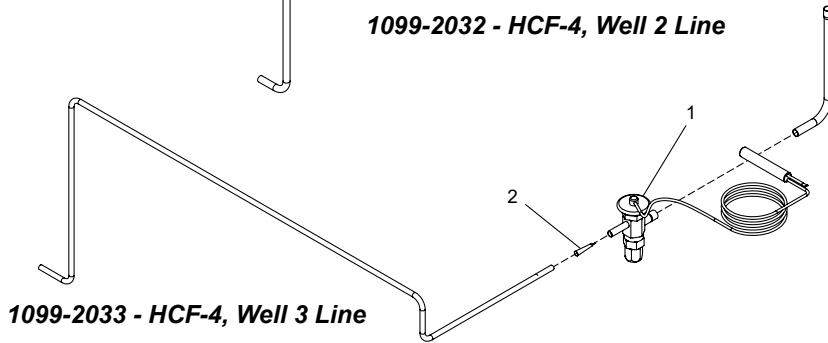
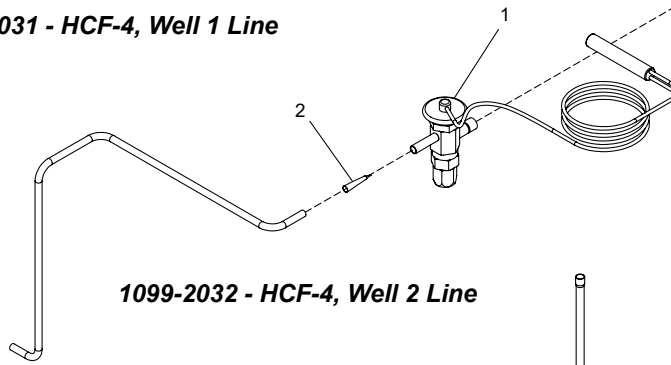
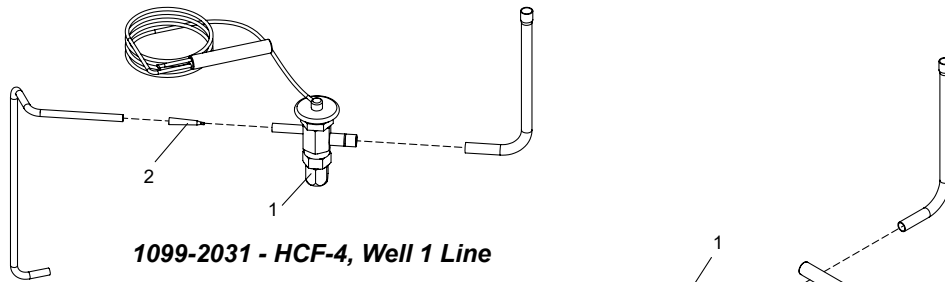
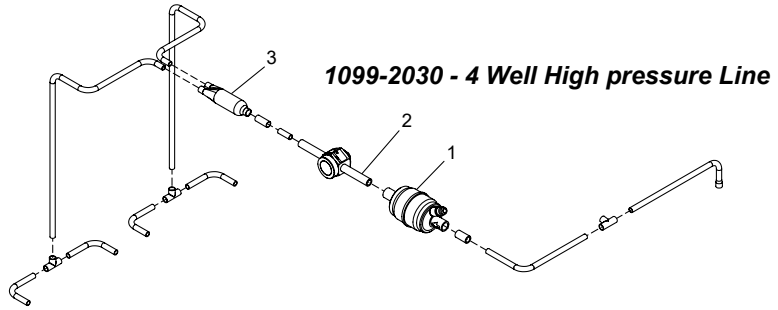
HOT COLD FREEZE - 4 WELL DRAIN MANIFOLD



Item	Part #	Description	Qty
1	1099-0433	Hcf Icb Main Drain Bracket	1
2	1099-0441	Hcf Icb 4 Drain Lever Bracket	1
3	213027	Screw, 10-24 X 1/2" Pthms S/S	14
4	219041	Cap, Plastic-Thread Cover Black, .172-.375 Size	6
5	1099-0435	Hcf Icb Drain Manifold Bracket	1
6	215381	Valve, Ball 3/4" Copper Sweat	5
7	1099-0420K	Service-Hcf Icb Drain Handle	5
8	1099-2099	Drain Hose Assembly	1



HOT COLD FREEZE - 4 WELL REFRIGERANT LINE ASSEMBLIES



HOT COLD FREEZE - 4 WELL REFRIGERANT LINE ASSEMBLIES

1099-2030 - 4 WELL, HIGH PRESSURE LINE			
Item	Part #	Description	Qty
1	226039	Drier, Filter	1
2	216415	Glass, Sight	1
3	226832	Distributor	1

1099-2031 - HCF-4, WELL 1 LINE			
Item	Part #	Description	Qty
1	526315-2	Valve 526315 Adjusted On Flow Bench	1
2	226959	Strainer, #1543-002 Screen, 1/4 Odf	1

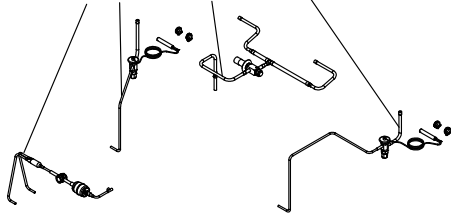
1099-2032 - HCF-4, WELL 2 LINE			
Item	Part #	Description	Qty
1	526315-2	Valve 526315 Adjusted On Flow Bench	1
2	226959	Strainer, #1543-002 Screen, 1/4 Odf	1

1099-2033 - HCF-4, WELL 3 LINE			
Item	Part #	Description	Qty
1	526315-2	Valve 526315 Adjusted On Flow Bench	1
2	226959	Strainer, #1543-002 Screen, 1/4 Odf	1

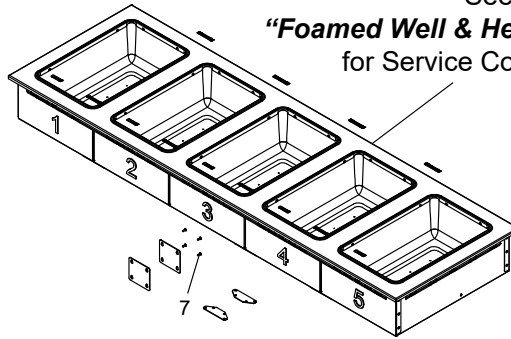
1099-2034 - HCF-4, WELL 3 LINE			
Item	Part #	Description	Qty
1	526315-2	Valve 526315 Adjusted On Flow Bench	1
2	226959	Strainer, #1543-002 Screen, 1/4 Odf	1

HOT COLD FREEZE - 5 WELL UNIT

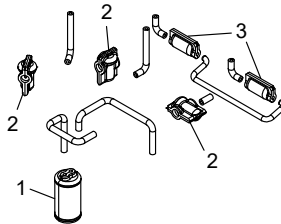
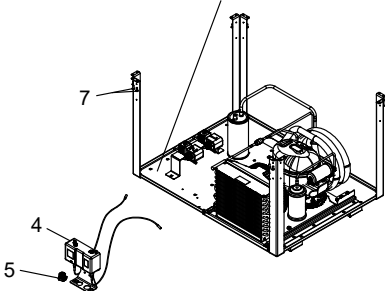
See
"2 Well Refrigerant Line Assemblies"
 for Service Components



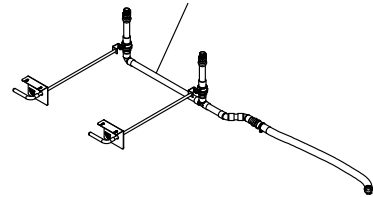
See
"Foamed Well & Heater Assembly"
 for Service Components



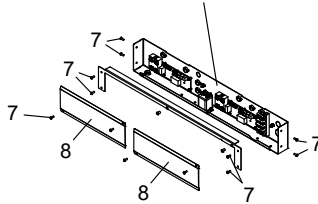
See
"2 Well Base Assembly"
 for Service Components



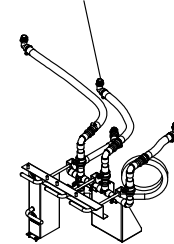
See
"5 Well, First 2 Drains, Manifold"
 for Service Components



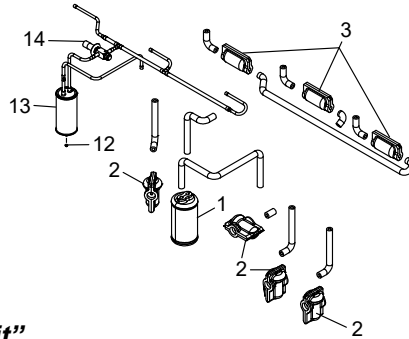
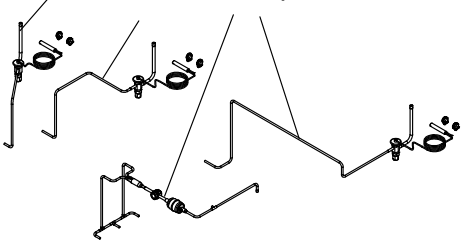
See
"2 Well Chase Assembly"
 for Service Components



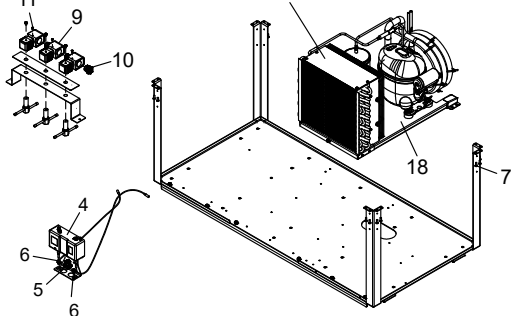
See
"5 Well, Last 3 Drains, Manifold"
 for Service Components



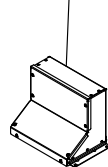
See
"3 Well Refrigerant Line Assemblies"
 for Service Components



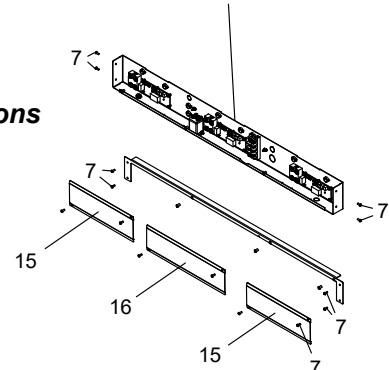
See
"Duke Built Slide Out Condenser Unit"
 for Service Components



See
"5 Well Electrical Configurations"
 for Service Components



See
"3 Well Chase Assembly"
 for Service Components



HOT COLD FREEZE - 5 WELL UNIT

Item	Part #	Description	Qty
1	526805	Insulation, Accumulator	2
2	216859	Insulation, Txv Wrap	7
3	216860	Insulation, Txv Bulb	5
4	216891-1	Preset Dual Pressure Switch	2
5	222101	Bushing,Heyco 1280 Strain Relief	2
6	169781	Screw, 10-24 X 3/8" Flg Head Ser SS	4
7	213064	Screw, 10-24 X 1/2" Tcs Rd H	79
8	1099-0376	Chase Cover, 2 Well	2
9	216553	Solenoid, Refrig W/Coil 120v	3
10	222101	Bushing, Heyco 1280 Strain Relief	3
11	512901	Screw, 6-32 X 1/4"Pn Ph Bo-Tap Tite Thrd Rlg Black Oxide	3
12	213042	Nut, 1/4-20 Serrated Zinc	1
13	226117	Accumulator, Sporlan 3" Dia. 3/8" Fittings 1bs	1
14	226045	Valve, Sporlan Cro-4-07/75 3x3 Odf	1
15	1099-0267	Chase Cover, 3 Well, Ends	2
16	1099-0268	Chase Cover, 3 Well, Center	1
17	1099-2036	Remote Mount Display Assembly	5
18	1099-2055K	Service-Condensing Unit, Slide Out, Duke Built	1
Hcf-2 Well Wire Harness List (Ref. 1099-2060) - See "Hot Cold Freeze - 2 Well Unit"			
Hcf-3 Well Wire Harness List (Ref. 1099-2061) - See "Hot Cold Freeze - 3 Well Unit"			

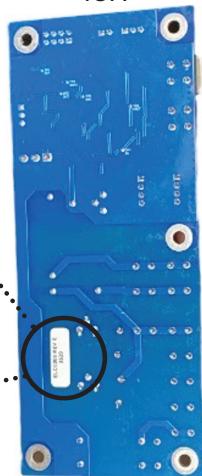
*TABLE 1

IOC-G Display Version	IOA Board Versions		
	ELC0200	ELC0576	ELC0805
ELC0353	✓	✗	✗
ELC0643	✓	✓	✗
ELC0804	✓	✓	✓

IOC-G DISPLAY BOARD

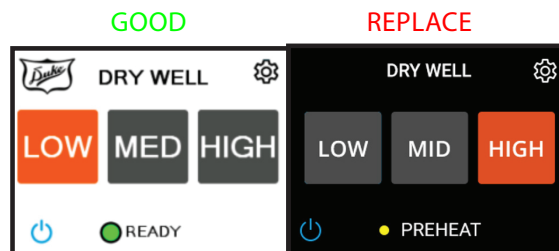


IOA

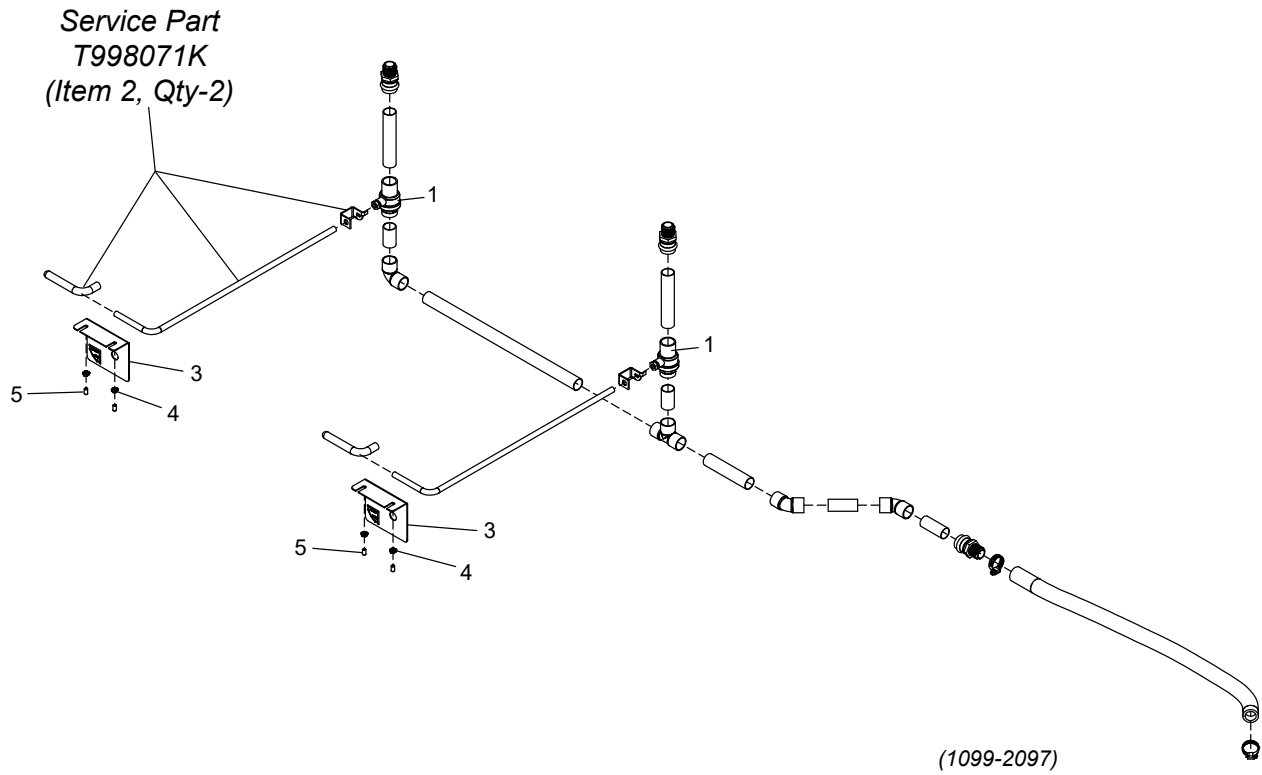


Part Number Location

IOC-G DISPLAY COLOR EXAMPLE

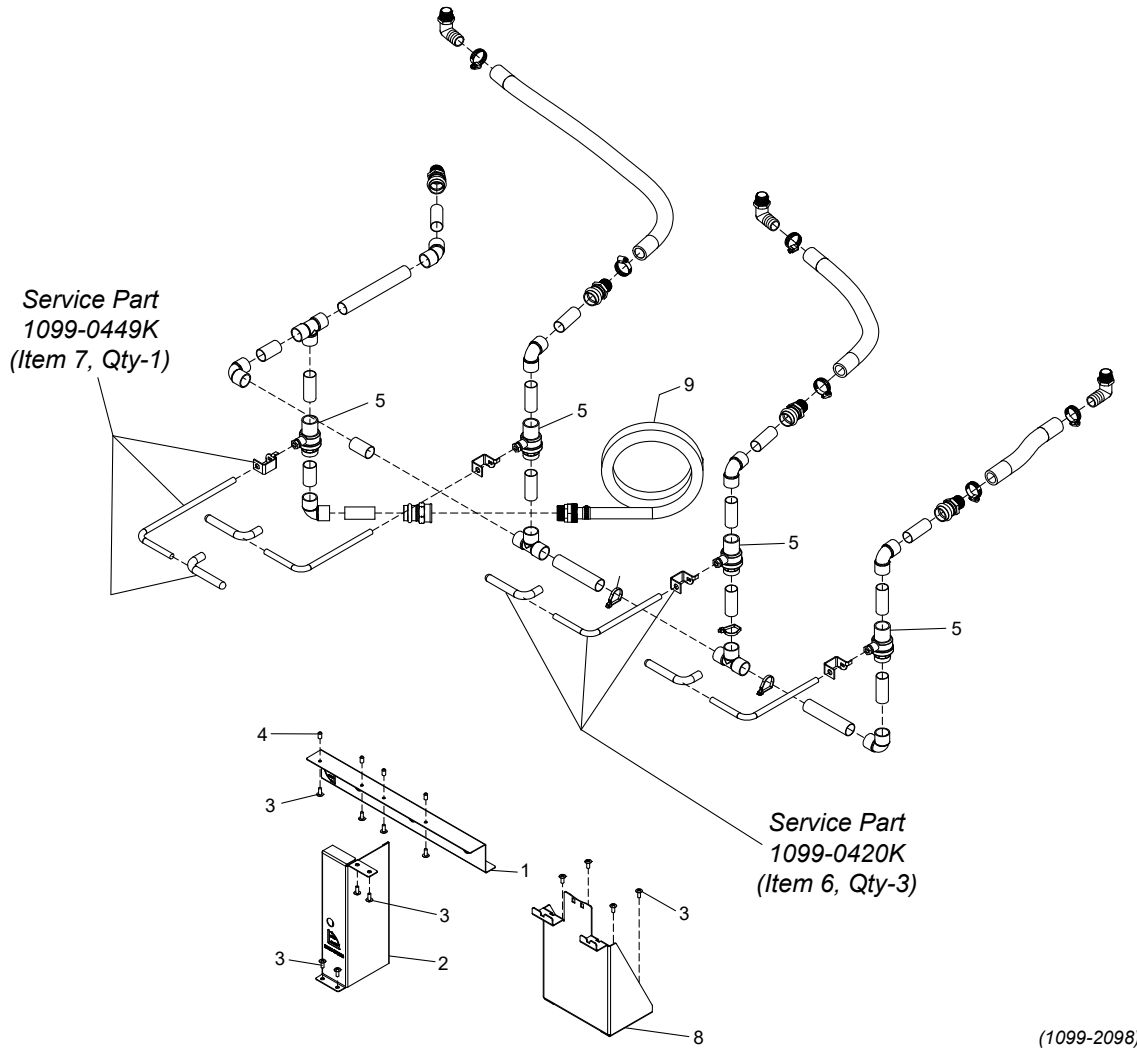


HOT COLD FREEZE - 5 WELL, FIRST 2 DRAINS, MANIFOLD



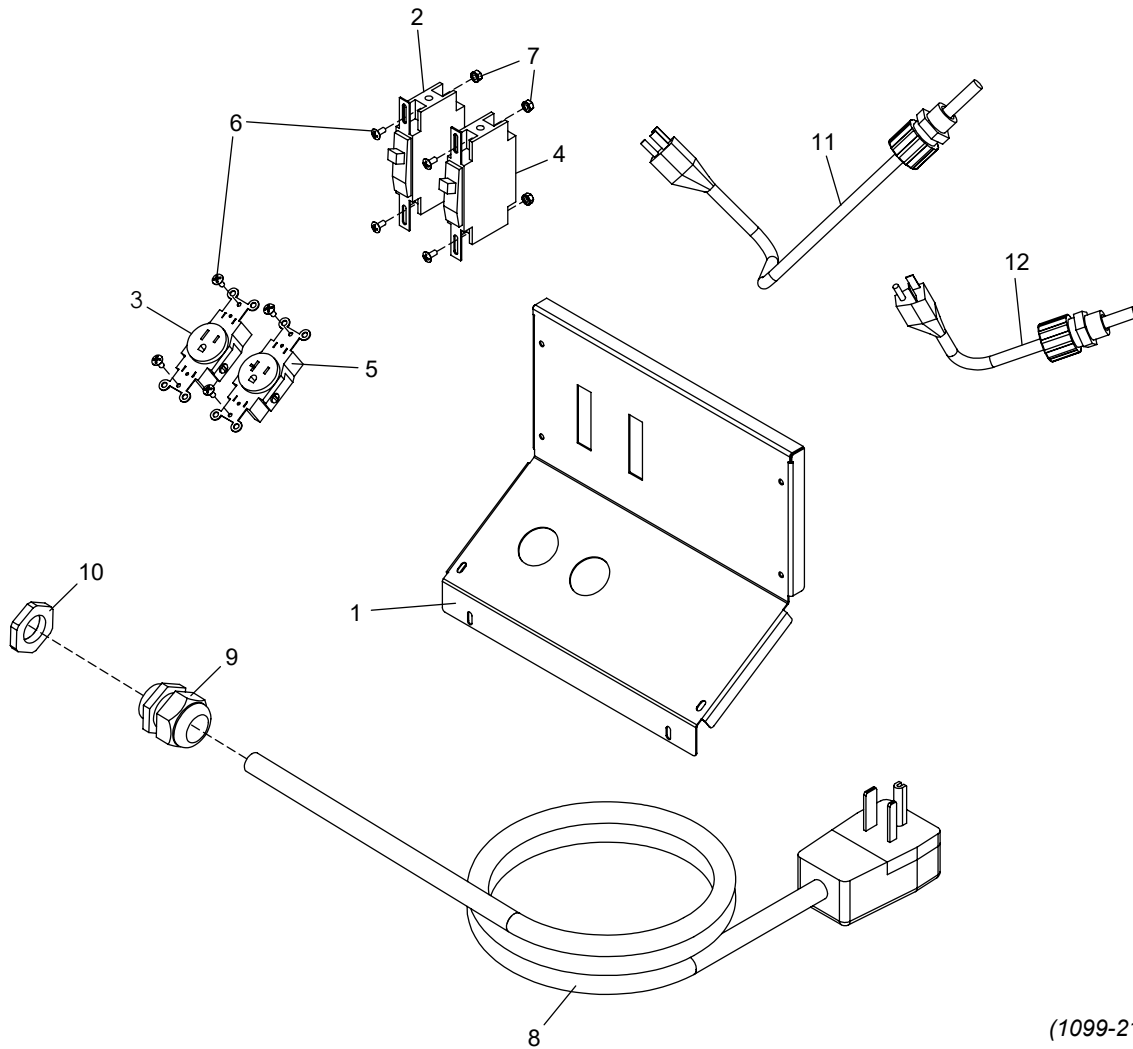
Item	Part #	Description	Qty
1	215381	Valve, Ball 3/4" Copper Sweat	2
2	T998071K	Service-Rod Handle For Ext. Individual Valves	2
3	1099-0442	Service, Drain Handle Assembly	2
4	213322	Nut Keps 10-24, Stainless	4
5	213326	Cap, Plastic-Thread Cover Black, .172-.375 Size	4

HOT COLD FREEZE - 5 WELL, LAST 3 DRAINS, MANIFOLD



Item	Part #	Description	Qty
1	1099-0432	Hcf Icb Drain Lever Bracket	1
2	1099-0433	Hcf Icb Main Drain Bracket	1
3	213027	Screw, 10-24 X 1/2" Pthms S/S	12
4	213326	Cap, Plastic-Thread Cover Black, .172-.375 Size	4
5	215381	Valve, Ball 3/4" Copper Sweat	4
6	1099-0420K	Service-Hcf Icb Drain Handle	3
7	1099-0449K	Service-Hcf Icb Drain Handle	1
8	1099-0435	Hcf Icb Drain Manifold Bracket	1
9	1099-2099	Drain Hose Assembly	1

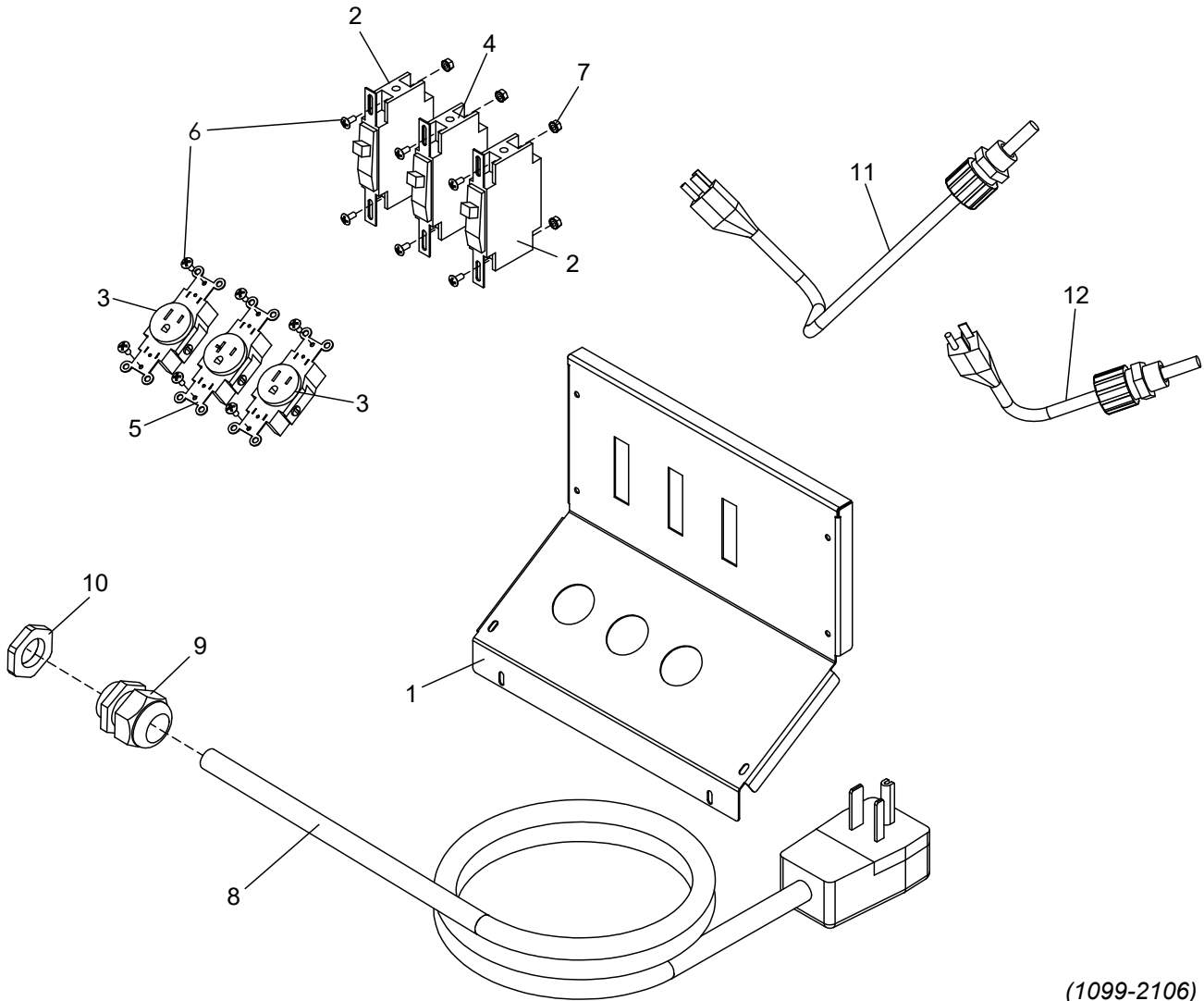
HOT COLD FREEZE - 5 WELL ELECTRICAL CONFIGURATION-A



(1099-2102)

Item	Part #	Description	Qty
1	1099-0454	Hcf-5 Icb Cover, Style A	1
2	212996	Breaker, Single 1p 15a	1
3	212177	Recpt, Elec 5-15 Single	1
4	212997	Breaker, Single 1p 20a	1
5	212337	Recpt, 5-20 Single Gray 20a 125v	1
6	213317	Screw, 8-32 X 3/8 Ph.tr. SS	8
7	154458	Nut, 8-32 Hex Kep Zinc	4
8	157011	Cord Set, 8/3 Cord-90 Deg Plug, 50a/125v	1
9	222106	Strain Relief, 1"	1
10	222185	Locknut, Plastic 1"	1
11	1099-2074	Hcf-2, 120v Cord Set (Ref - 212170 & 212117)	1
12	1099-2076	Hcf-3, 120v Cord Set (Ref - 222100 & 212110)	1

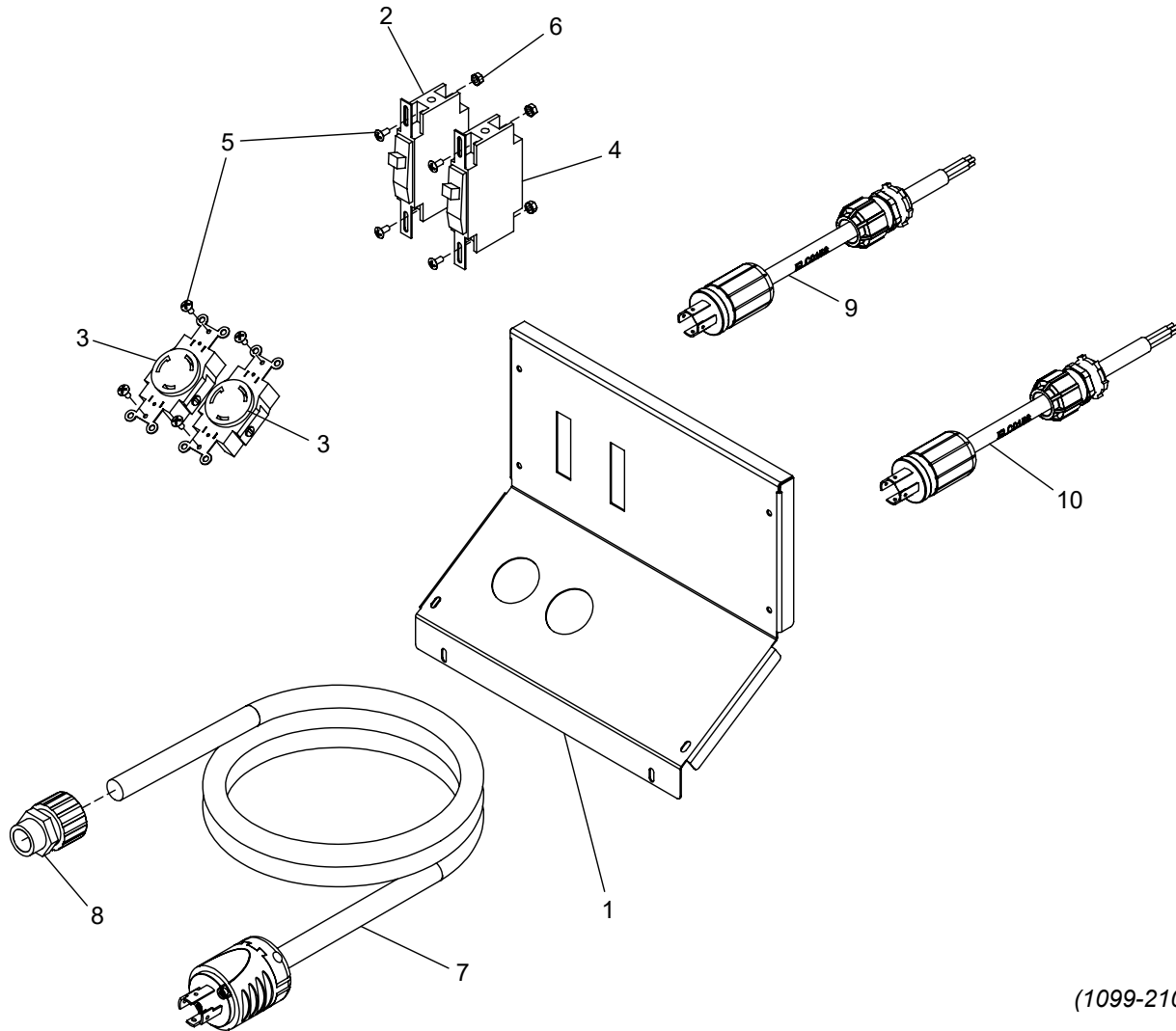
HOT COLD FREEZE - 5 WELL ELECTRICAL CONFIGURATION-A PLUS



(1099-2106)

Item	Part #	Description	Qty
1	1099-0458	Hcf 5 Icb Box Cover, Style A Plus	1
2	212996	Breaker, Single 1p 15a	2
3	212177	Recpt, Elec 5-15 Single	2
4	212997	Breaker, Single 1p 20a	1
5	212337	Recpt, 5-20 Single Gray 20a 125v	1
6	213317	Screw, 8-32 X 3/8 Ph.tr. Ss	12
7	154458	Nut, 8-32 Hex Kep Zinc	6
8	157011	Cord Set, 8/3 Cord-90 Deg Plug, 50a/125v	1
9	222106	Strain Relief, 1"	1
10	222185	Locknut, Plastic 1"	1
11	1099-2074	Hcf-2, 120v Cord Set (Ref- 212170 & 212117)	1
12	1099-2076	Hcf-3, 120v Cord Set (Ref- 222100 & 212110)	1

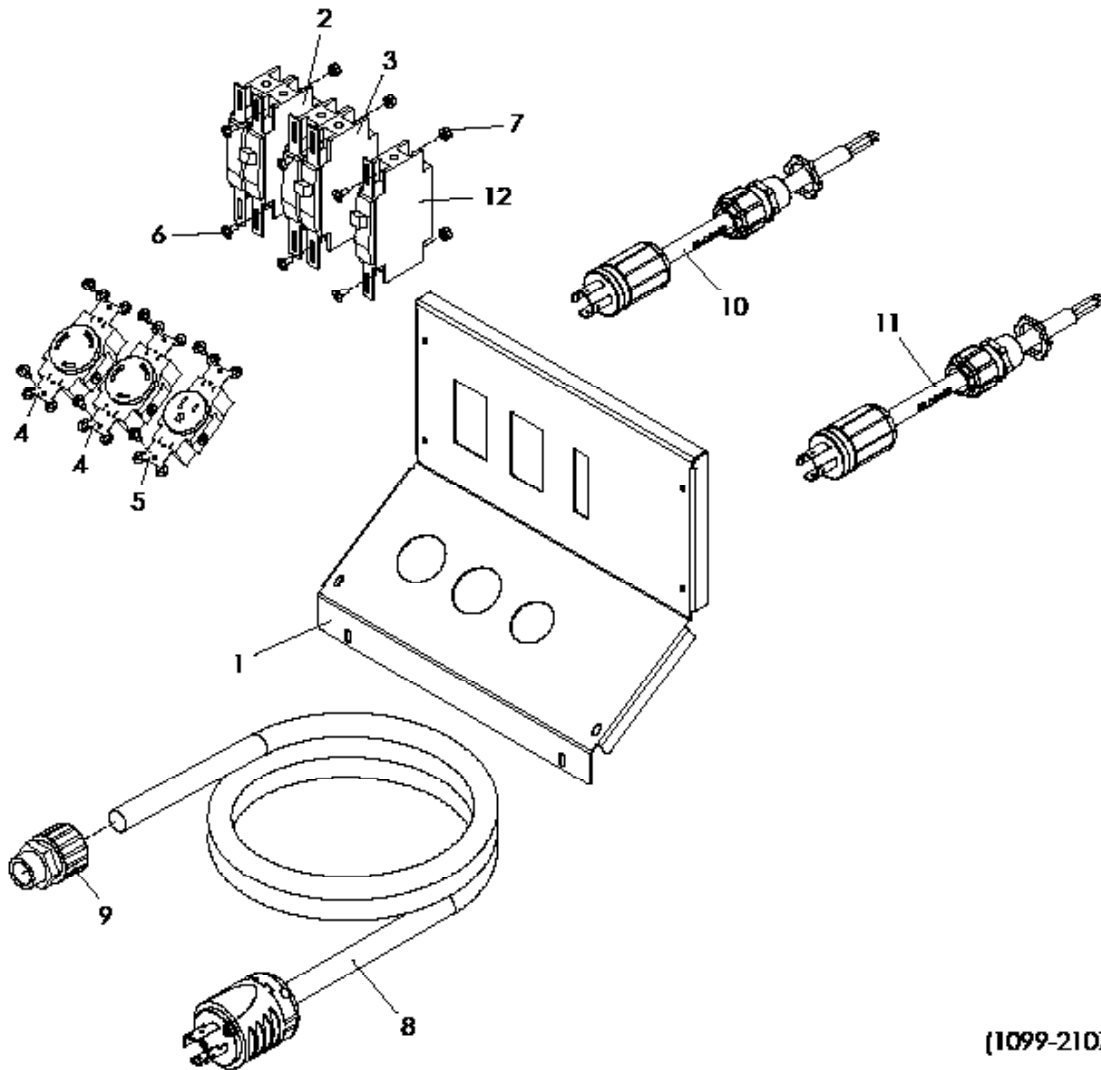
HOT COLD FREEZE - 5 WELL ELECTRICAL CONFIGURATION-D



(1099-2105)

Item	Part #	Description	Qty
1	1099-0457	Hcf-5 Icb Cover, Style D	1
2	212998	Breaker, Double 1p 20a	1
3	212265	Receptacle Nema L14-20r	2
4	222602	Breaker, Double 1p 20a	1
5	213317	Screw, 8-32x3/8 Ph.tr. SS	8
6	154458	Nut, 8-32 Hex Kep Zinc	4
7	157004	Cord Set, L14-30 10/4 Dual (212082 Cord & 212336 Plug)	1
8	212119	Strain Relief, W/ 3/4" Lock Nut	1
9	1099-2075	Hcf-2, 120/208v Or 120/240v Cord Set (<i>Ref-Elc0156, 167568 & 115357</i>)	1
10	1099-2077	Hcf-3, 120/208v Or 120/240v Cord Set (<i>Ref-Elc0156, 167568 & 115357</i>)	1

HOT COLD FREEZE - 5 WELL ELECTRICAL CONFIGURATION-D PLUS



(1099-2107)

Item	Part #	Description	Qty
1	1099-0459	Hcf 5 Icb Box Cover - Style D Plus	1
2	212998	Breaker, Double 1p 20a	1
3	212995	Breaker, Single 1p 10a	1
4	212265	Receptacle Nema L14-20R	2
5	212177	Recpt, Elec 5-15 Single	1
6	213317	Screw, 8-32x3/8 Ph.tr. SS	12
7	154458	Nut, 8-32 Hex Kep Zinc	6
8	157004	Cord Set, L14-30 10/4 Dual (212082 Cord & 212336 Plug)	1
9	212119	Strain Relief, W/ 3/4" Lock Nut	1
10	1099-2075	Hcf-2, 120/208v Or 120/240v Cord Set (Ref-Elc0156 , 167568 & 115357)	1
11	1099-2077	Hcf-3, 120/208v Or 120/240v Cord Set (Ref-Elc0156 , 167568 & 115357)	1
12	212602	Breaker, Double 1p 15a	1



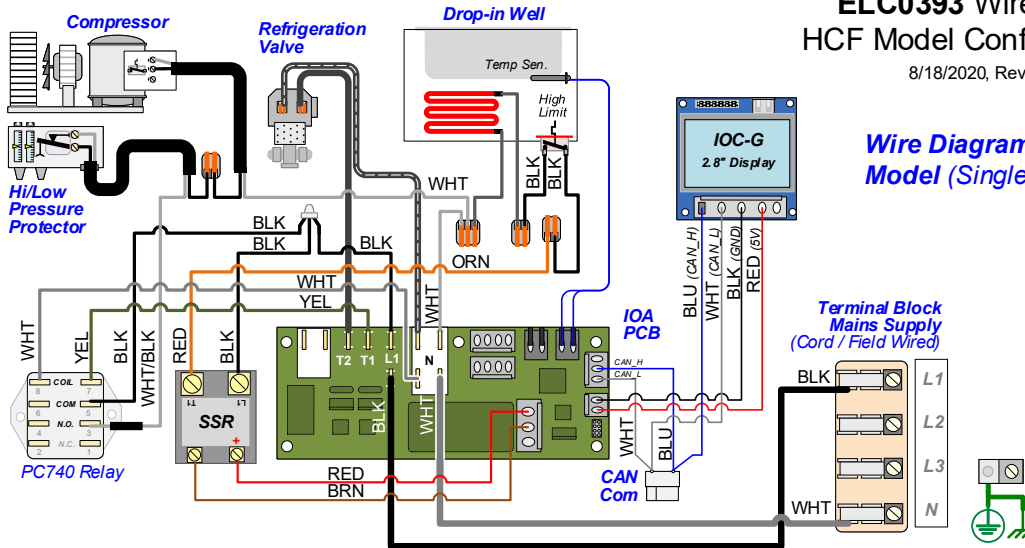
Notes

HOT COLD FREEZE - WIRING DIAGRAM

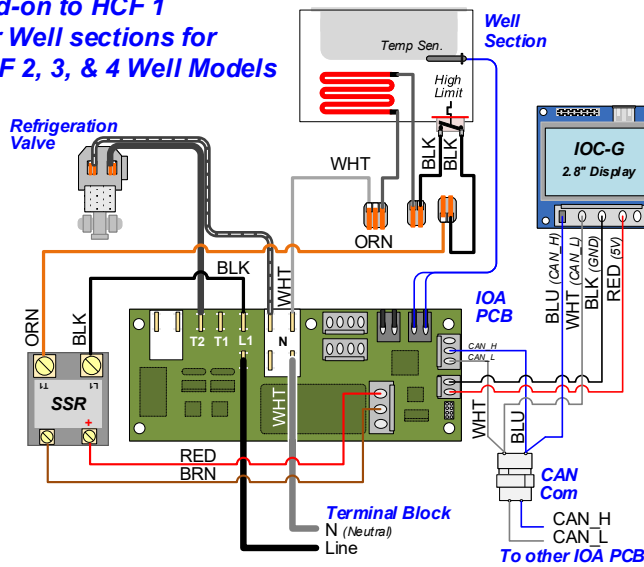
ELC0393 Wire Diagram HCF Model Configurations

8/18/2020, Rev. C, ECO-0002902

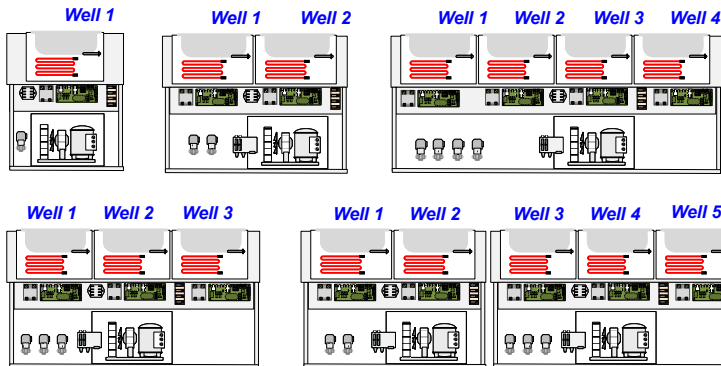
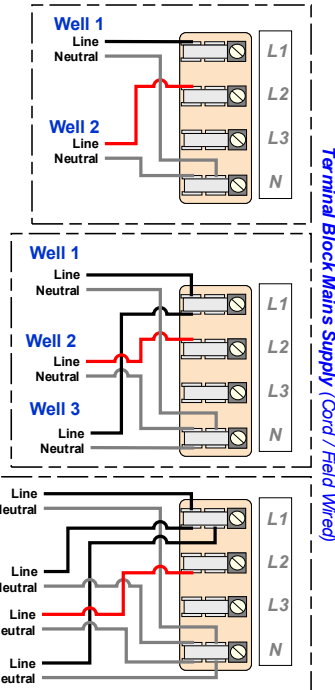
Wire Diagram, HCF 1 Model (Single Well)



Add-on to HCF 1 per Well sections for HCF 2, 3, & 4 Well Models



120/208V & 120/240V Terminal Block Connections



***NOTE:** All components are 120Vac Branch Circuits Supply from Mains Terminal Block to Well sections

***NOTE:** 5-Well model uses a separate 2-Well & a 3-Well model. The 5-Well model has 2 Power Line Cords

*Displays can be mounted in front of each Well or mounted in a group at either end of the installed counter.



Your Solutions Partner

Duke Manufacturing Company

**2305 N. BROADWAY
ST. LOUIS, MO 63102
PHONE: 314-231-1130
TOLL FREE: 1-800-735-3853
FAX: 314-231-5074
WWW.DUKEMFG.COM**