



Your Solutions Partner

Illustrated Parts List



ICE BATH BREADING STATION

ASSEMBLY:

E080148

*This manual is Copyright © 2020 Duke Manufacturing Co. All rights reserved.
Reproduction without written permission is prohibited. Duke is a registered
trademark of the Duke Manufacturing Co.*

Duke Manufacturing Co.

2305 N. Broadway • St. Louis, MO 63102

800.735.3853 • 314.231.1130

Fax: 314-231-5074

www.dukemfg.com

How to Determine Manufacture Date from Duke Equipment Serial Numbers

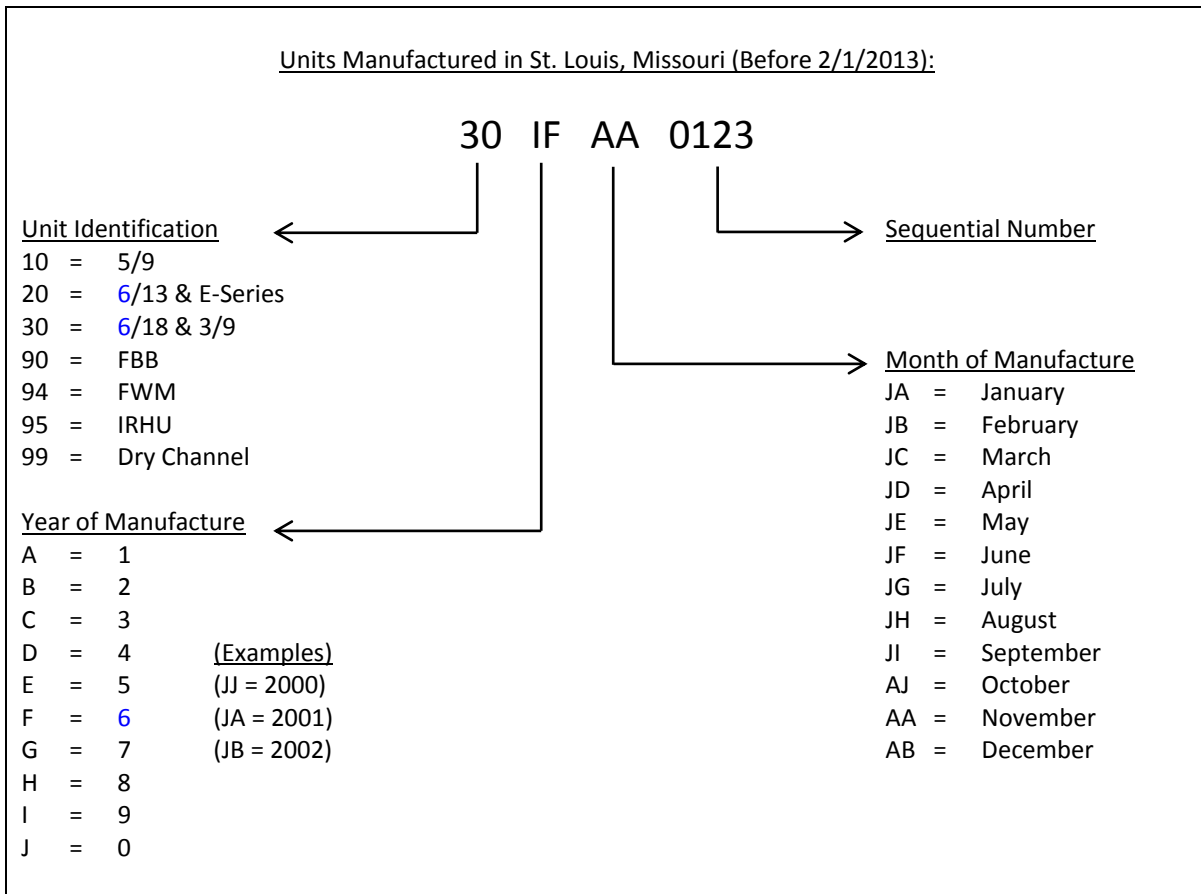
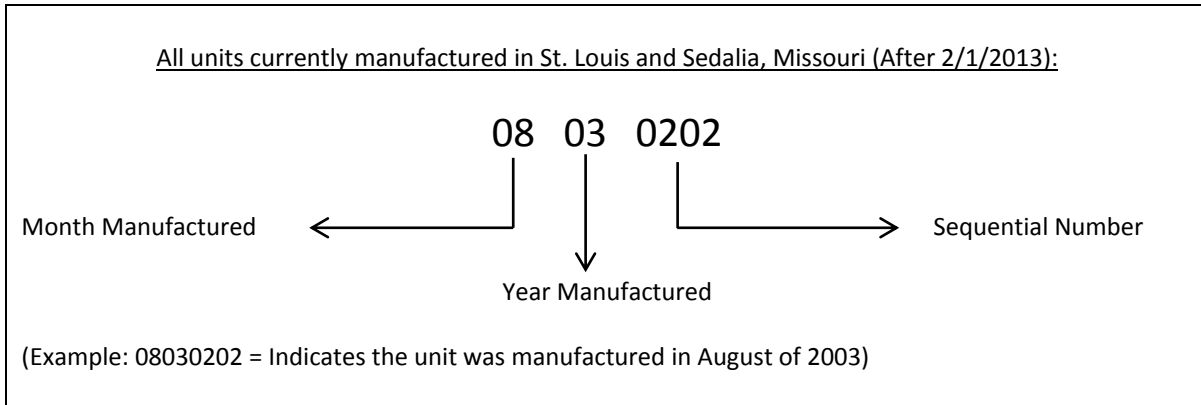
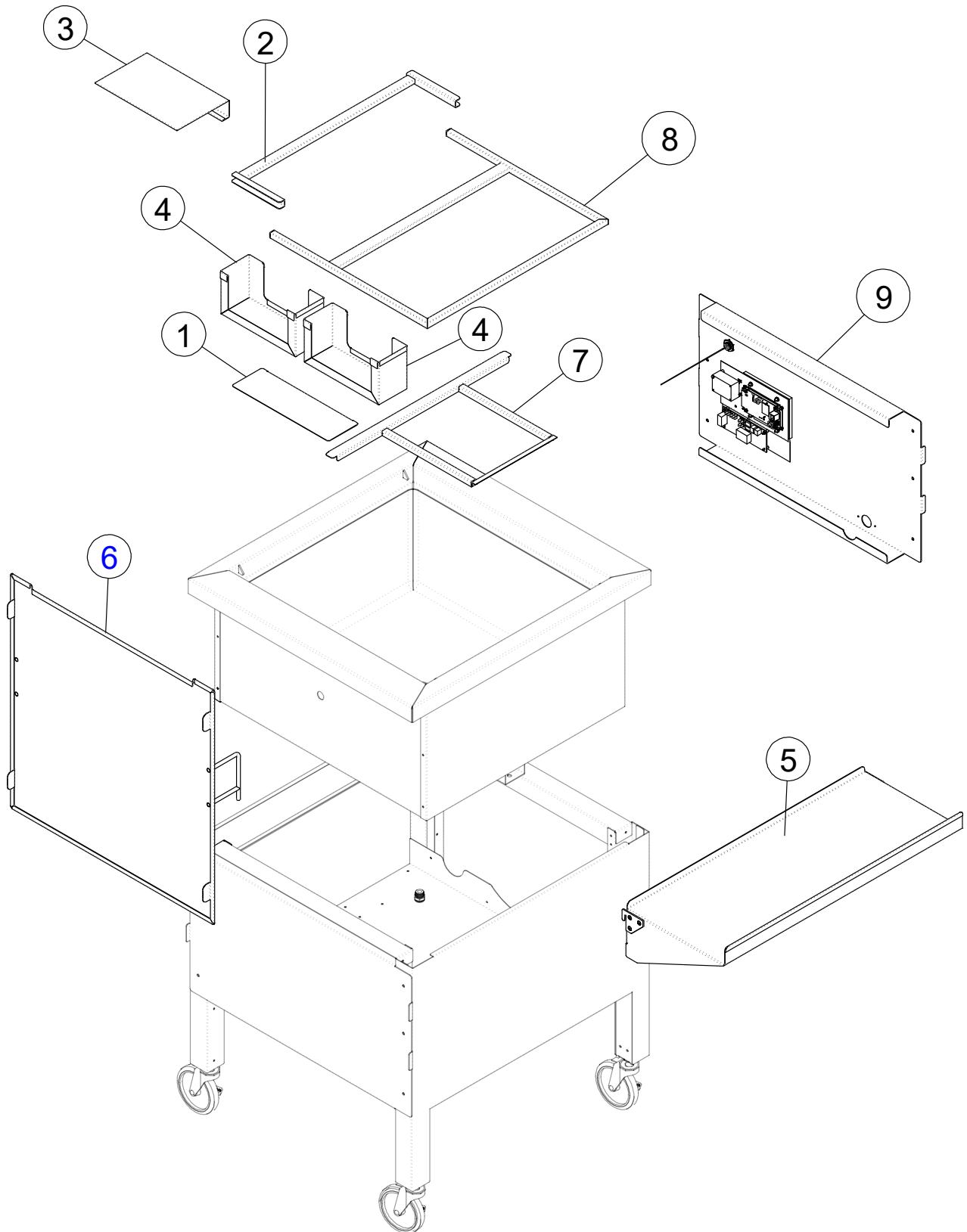


TABLE OF CONTENTS

HOW TO DETERMINE MFG DATE FROM DUKE SERIAL NUMBEERS	2
ICE BATH BREADING STATION - TOP LEVEL ASSEMBLY	5
ICE BATH BREADING STATION - BODY ASSEMBLY	7
ICE BATH BREADING STATION - WIRE DIAGRAM	9

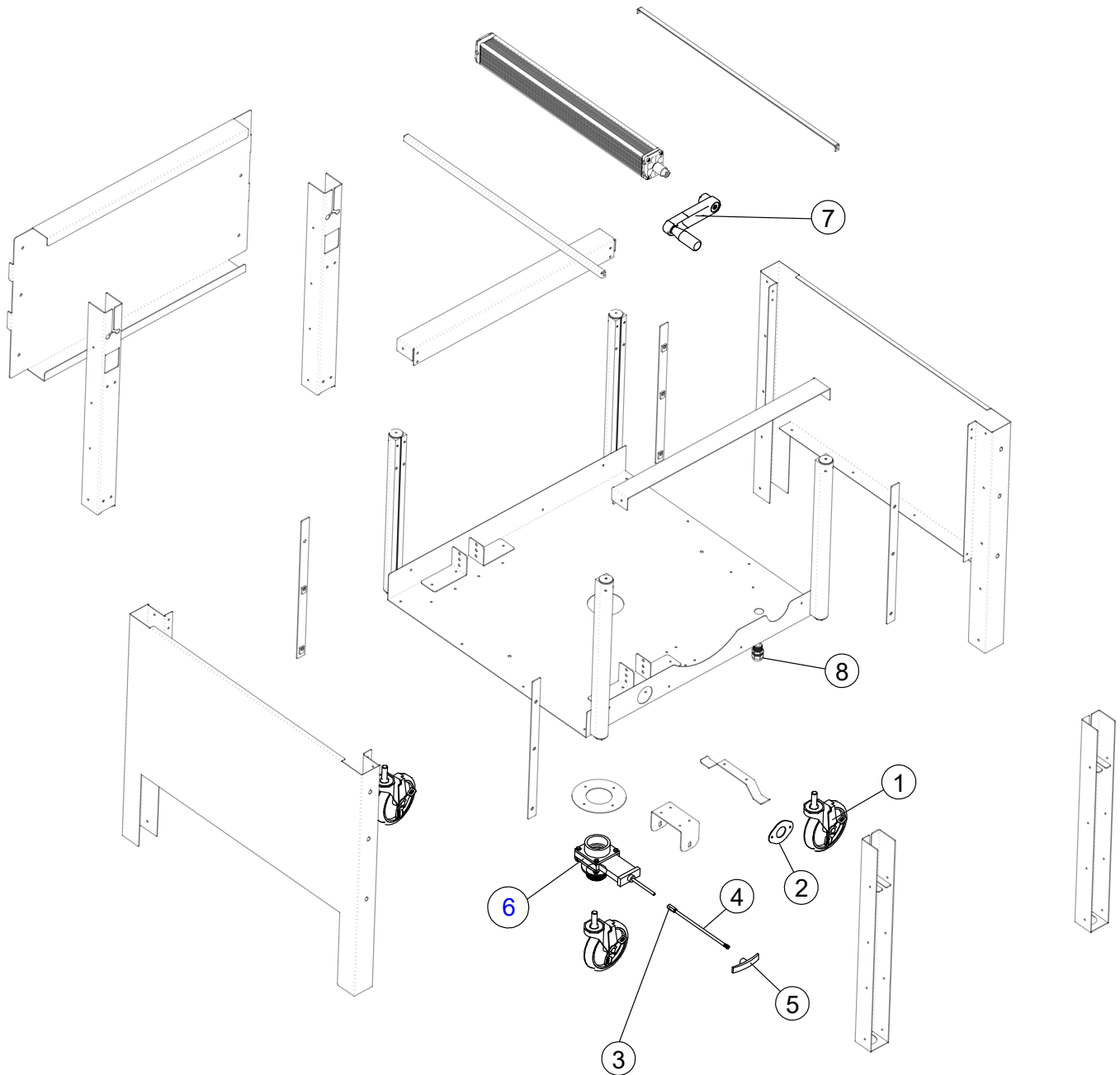
ICE BATH BREADING STATION - TOP LEVEL ASSEMBLY



ICE BATH BREADING STATION - TOP LEVEL ASSEMBLY

ITEM	PART #	DESCRIPTION	QTY
1	E080101	SPACER, BREADING PAN ORGANIZER	1
2	E080109	ANTI-FLOAT FRAME, SLIDE	1
3	E080156	TRANSFER SHELF	1
4	E08068	GLOVE HOLDER	2
5	E080137	SIDE SHELF ASSEMBLY	1
6	E080147	COVER ASSEMBLY	1
7	E080165	PAN ORGANIZER	1
8	E080172	ANTI-FLOAT FRAME 1.25 ASSEMBLY	1
9	E080179	CONTROLS, SERVICE KIT	1

ICE BATH BREADING STATION - BODY ASSEMBLY



ICE BATH BREADING STATION - BODY ASSEMBLY

ITEM	PART #	DESCRIPTION	QTY
1	523052	CASTER, STAINLESS STEEL	4
2	E080125	BODY CRANK SEAL	1
Not Shown	213032	SCREW, 8-18 X 1/2" TEK PHIL <i>(Used to attach E080125)</i>	2
3	523069	COUPLING NUT, 18-8 SS, 1/4-20 THREAD	1
4	E080127	EXTENSION SHAFT, GATE VALVE ASSEMBLY	1
5	523088	HANDLE, GATE VALVE ASSEMBLY	1
6	523501	GATE VALVE ASSEMBLY, SINK DRAIN	1
7	523064	HANDLE, HYDRAULIC LIFT	1
8	175515	STRAIN RELIEF, POWER CORD	1
No Shown	E080180	POWER CORD, SERVICE KIT	1
Not Shown	520780	KIT, CLUTCH, SUSPA #D44-01500 <i>(Ref - 523050 Suspa Hydraulic Unit)</i>	1



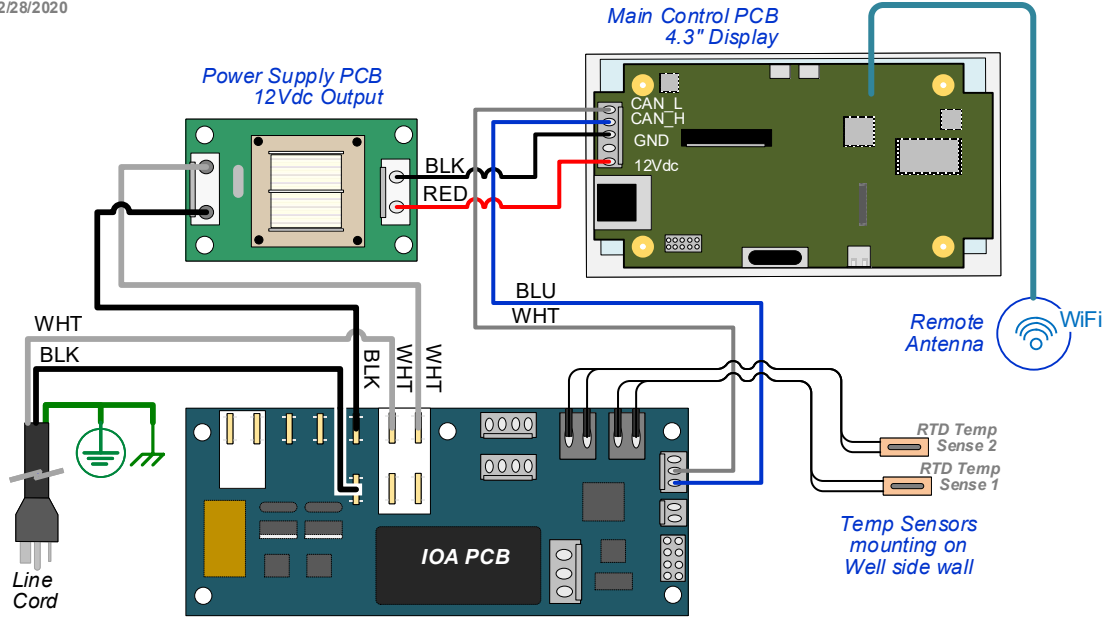
NOTES

WIRING DIAGRAM

ELC0453

Wire Diagram – CFA Breeding Station

2/28/2020





Your Solutions Partner

Duke Manufacturing Company

**2305 N. BROADWAY
ST. LOUIS, MO 63102
PHONE: 314-231-1130
TOLL FREE: 1-800-735-3853
FAX: 314-231-5074
WWW.DUKEMFG.COM**