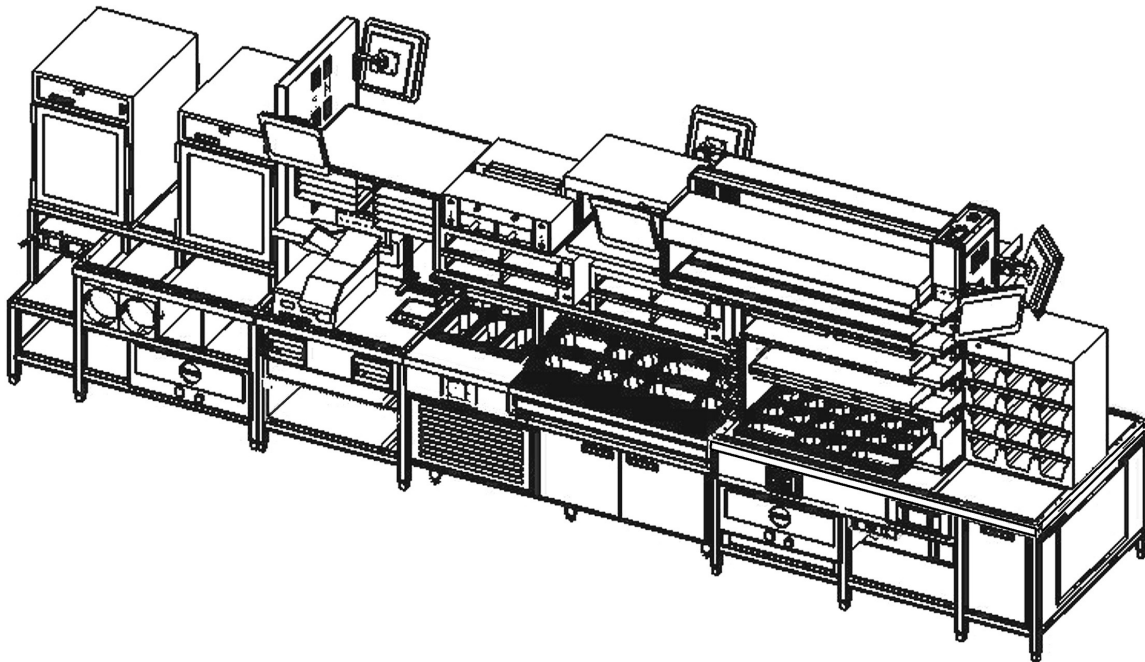




"Your Solutions Partner"

# Illustrated Parts List

## KFC KT COUNTER



---

*This manual is Copyright © 2008 Duke Manufacturing Co. All rights reserved.  
Reproduction without written permission is prohibited. Duke is a registered  
trademark of the Duke Manufacturing Co.*

### **Duke Manufacturing Co.**

**2305 N. Broadway • St. Louis, MO 63102**

**800.735.3853 • 314.231.1130**

**Fax: 314-231-5074**

**[www.dukemfg.com](http://www.dukemfg.com)**

## TABLE OF CONTENTS

EXPEDITE TABLE ASSEMBLY .....	4
HOT FOOD TABLE ASSEMBLY.....	5
DISPLAY TABLE ASSEMBLY.....	6
OVERHEAD SHELVING ASSEMBLY.....	7
REFRIGERATED BASE UNIT.....	8
DRY CHANNEL WARMER WITH 3 ZONE CONTROL .....	9
DRY CHANNEL WARMER – REV 5.1 .....	10
DRY CHANNEL WARMER – REV 5.1, CONTINUED .....	11
DRY CHANNEL RELAY BOX ASSEMBLY REV 5.1.....	12

## DETERMINING THE MANUFACTURING DATE FROM A PIECE OF EQUIPMENT'S SERIAL NUMBER

### Units Manufactured in St. Louis

Serial Number Example: 30JDJF0001

<b>30</b>	<b>JD</b>	<b>JF</b>	<b>0001</b>
Specifies the type of unit	Specifies the year manufactured - see code below.	Specifies the month manufactured - see code below.	Sequential digits

### Code Interpretation for units manufactured in St. Louis.

**A = 1   B = 2   C = 3   D = 4   E = 5   F = 6   G = 7   H = 8   I = 9   J = 0**

The serial number 30JDJF0001 indicates that the unit was built in 2004 (JD = 04) in the month of June (JF = 06).

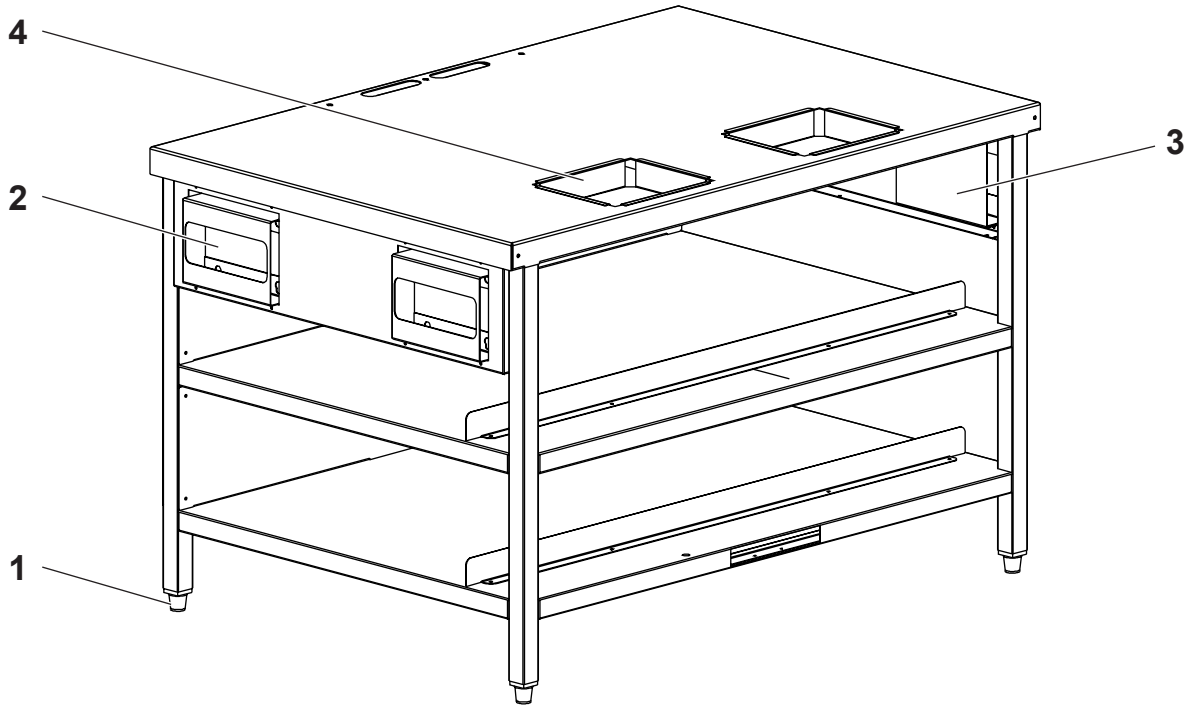
### Units Manufactured in Sedalia

Serial Number Example: 01040019

<b>01</b>	<b>04</b>	<b>0019</b>
Specifies the month manufactured	Specifies the year manufactured	Sequential digits

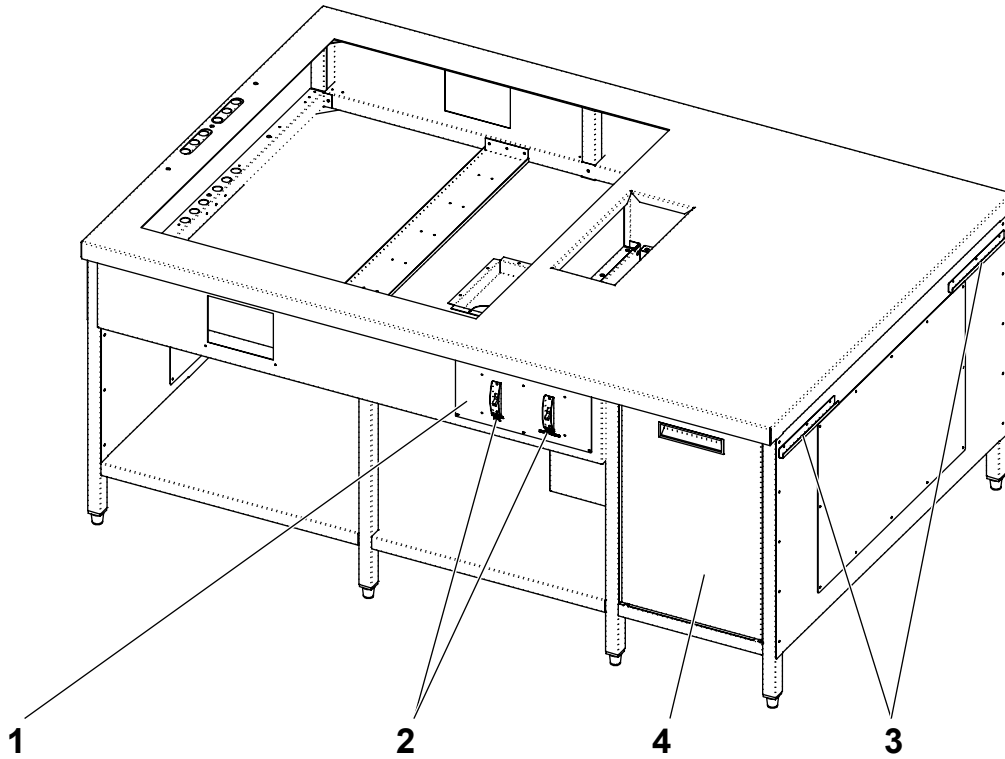
The serial number 01040019 indicates that the unit was built in January of 2004.

### EXPEDITE TABLE ASSEMBLY



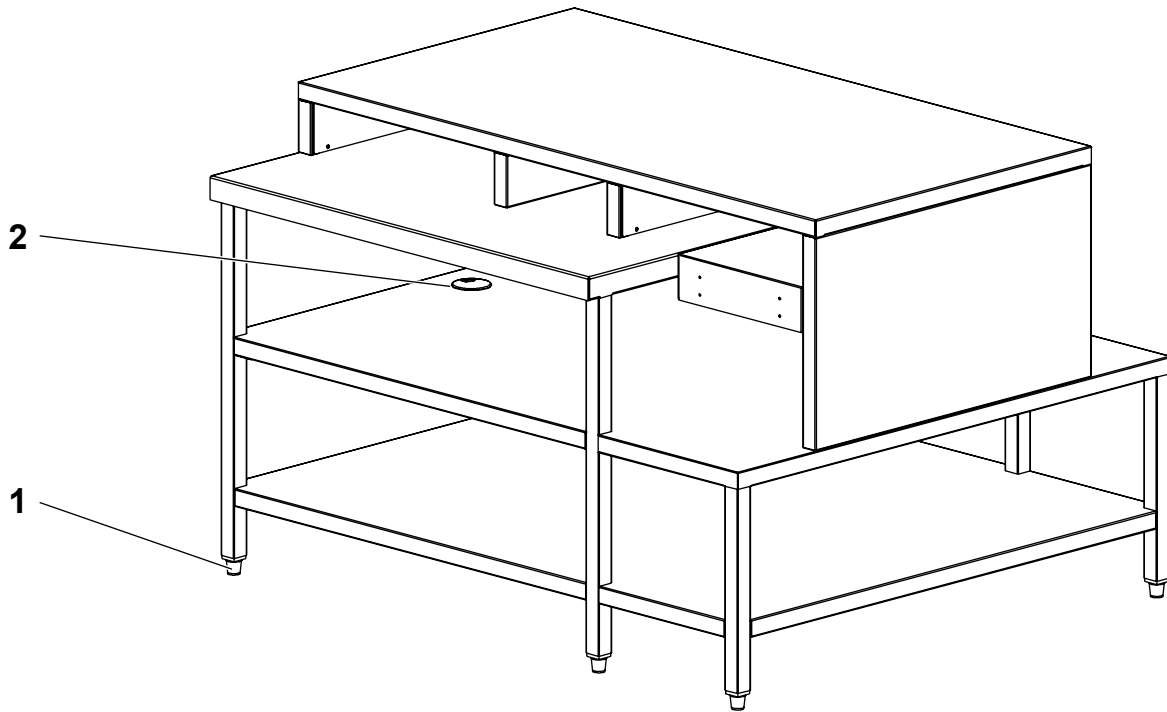
ITEM	QTY.	PART NUMBER	DESCRIPTION
1	4	214654	Adjustable Foot
2	4	551316	Tissue Box Holder
3	4	551315	Tissue Mount Support
4	2	551112	Pan Scale

## HOT FOOD TABLE ASSEMBLY



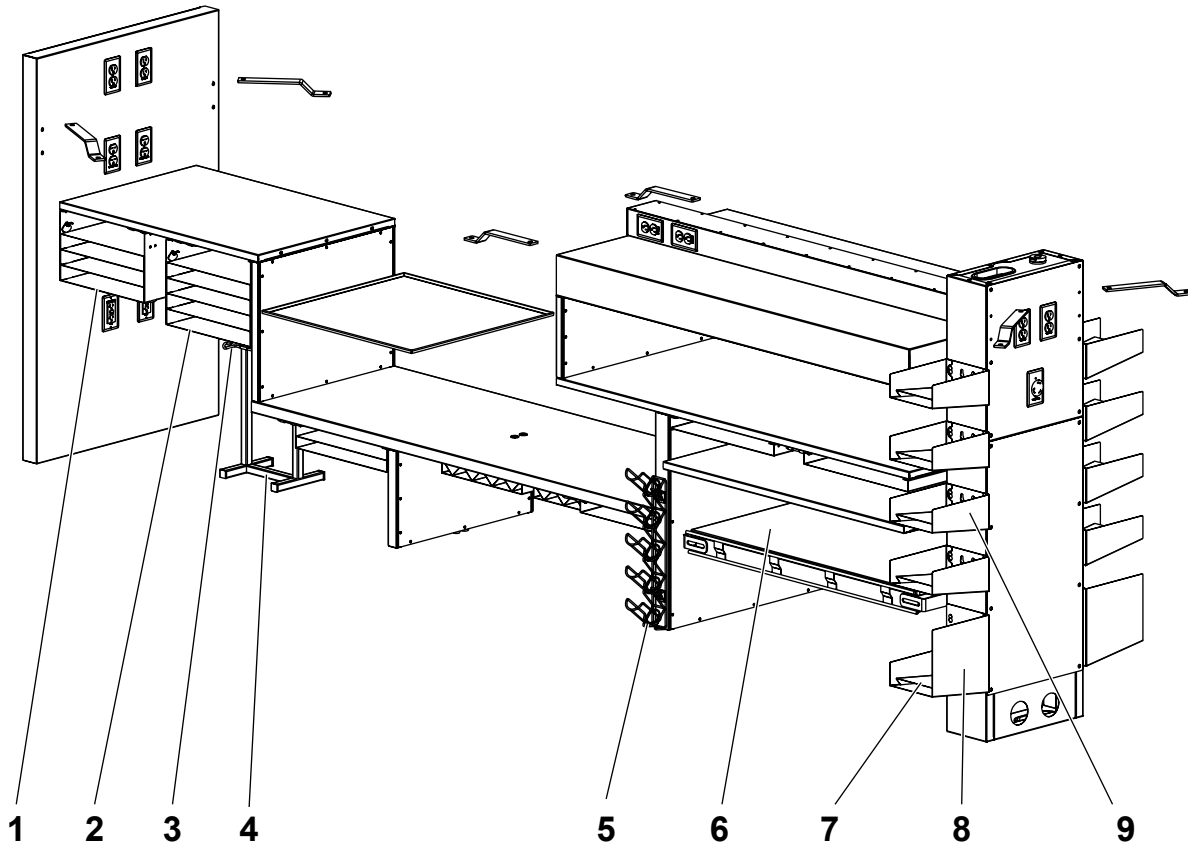
ITEM	QTY.	PART NUMBER	DESCRIPTION
1	1	550875	Toggle Switch Cover Plate
2	2	<a href="#">212792</a>	Toggle Switch, 30 Amp
3	2	550964	Sanitizer J-Hook
4	2	551219	Door

## DISPLAY TABLE ASSEMBLY



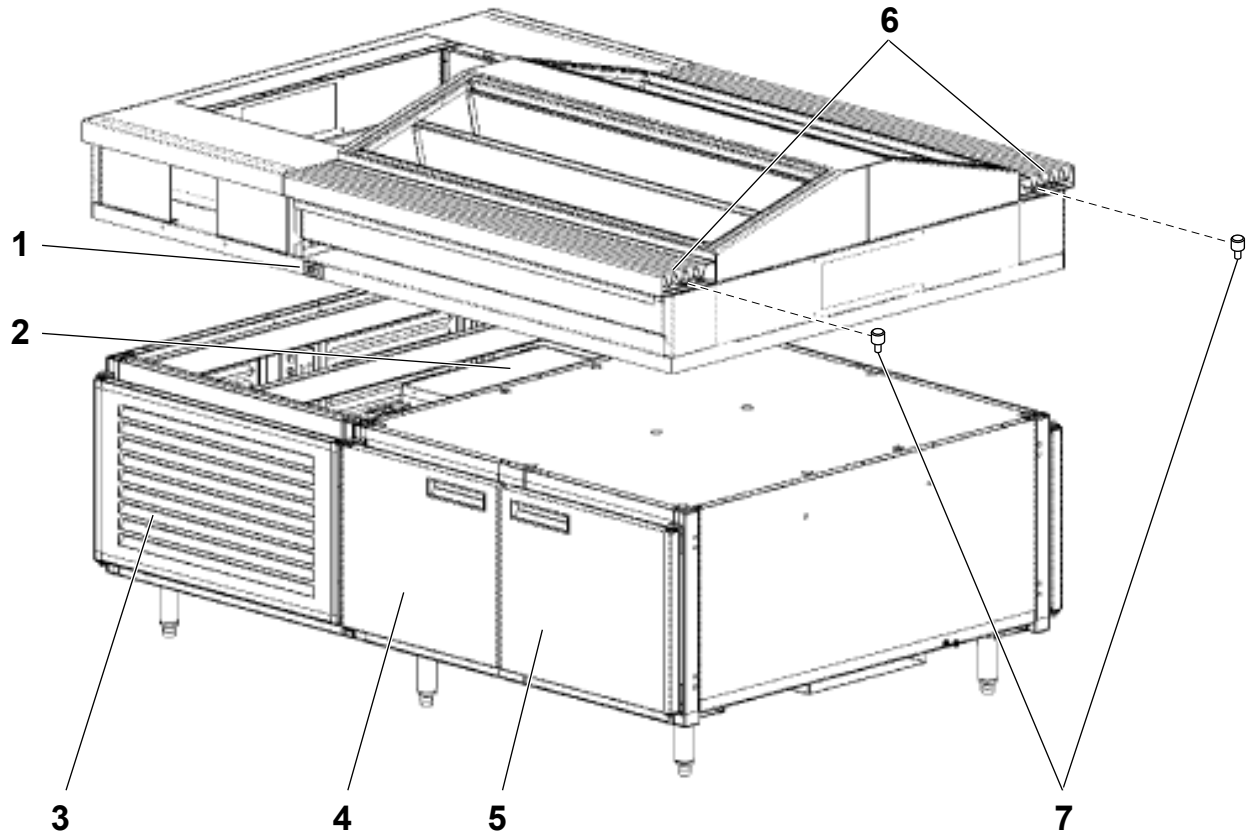
ITEM	QTY.	PART NUMBER	DESCRIPTION
1	6	214654	Adjustable Foot
2	1	<a href="#">214412</a>	Round Wire Grommet

## OVERHEAD SHELVING ASSEMBLY



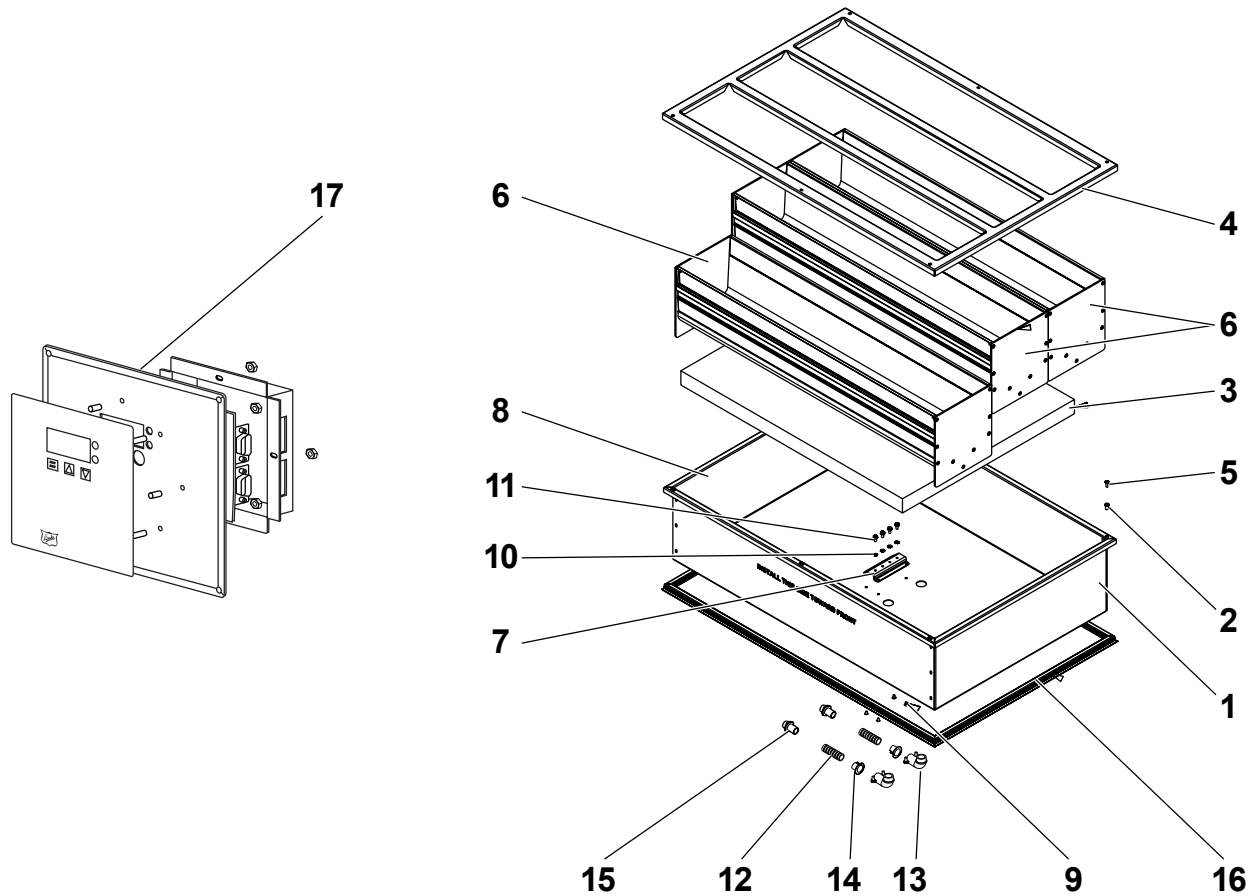
ITEM	QTY.	PART NUMBER	DESCRIPTION
1	1	551513	Removable Wrap Shelf Assembly
2	1	551514	Removable Wrap Shelf Assembly
3	2	228961	Bag Holder
4	2	551483	Bag Stand
5	2	216986	Vertical Bottle Rack
6	1	216992	Tortilla Grill
7	10	551303	Hanging Bin Lid
8	1	551301	Hanging Bin, Deep, Walk Up Side
9	8	551300	Hanging Bin, Short

## REFRIGERATED BASE UNIT



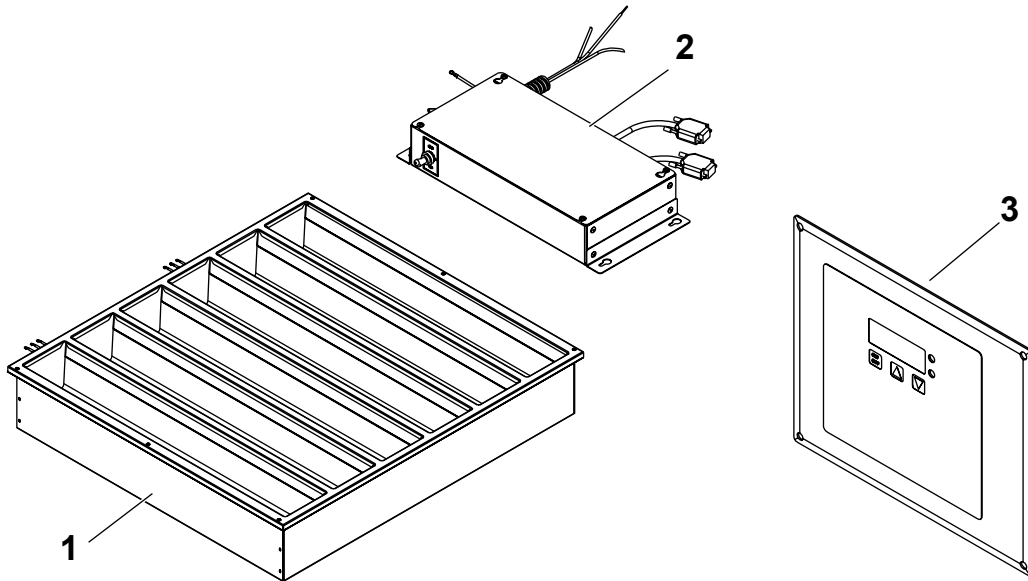
ITEM #	QTY.	PART NUMBER	DESCRIPTION
1	1	216675	Digital Thermometer
2	1	551538	Evaporator Section
3	1	551161	Louvered Panel Assembly
4	1	550328	Insulated Door, Left
5	1	550327	Insulated Door, Right
6	2	551072	Rail Assembly
7	8	214728	Carving Board Positioning Pins

## DRY CHANNEL WARMER WITH 3 ZONE CONTROL



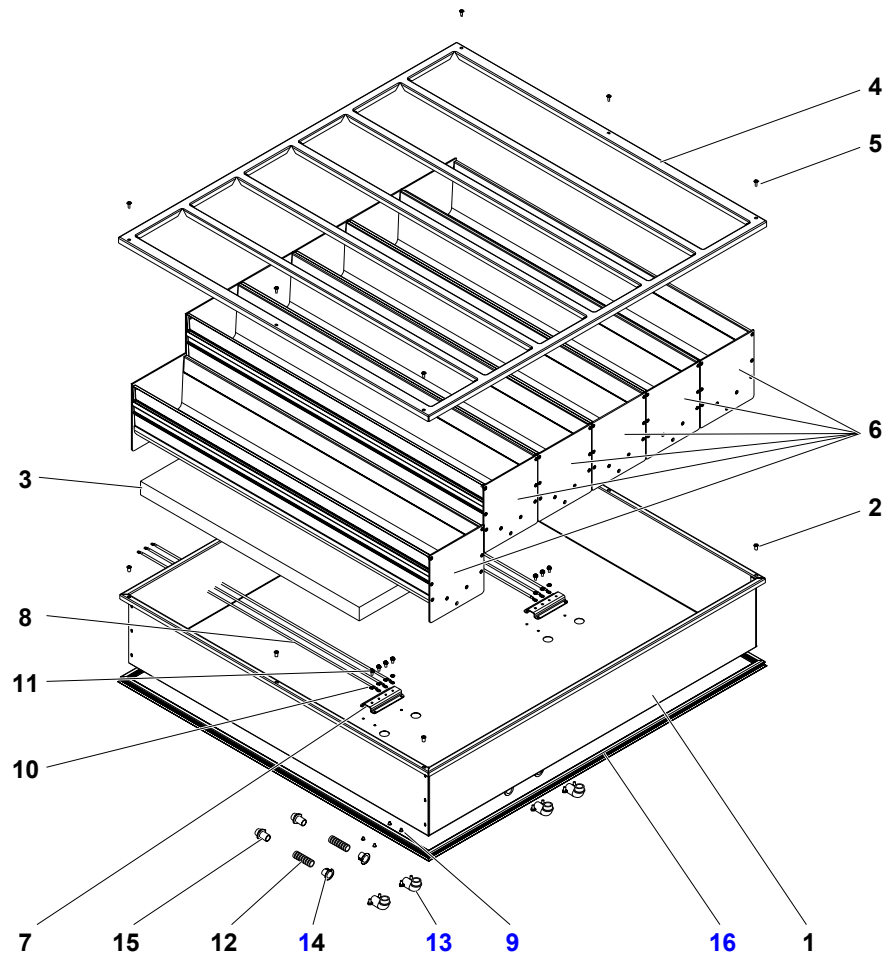
ITEM	QTY.	PART NUMBER	DESCRIPTION
1	1	553420	Tub, KT, 3 Channel
2	6	213216	Nutsert, ALM1-832-80
3	3	Proto-KFC	Insulation, Mineral Wool
4	1	553421	Top, 3 Channel Dry Channel
5	6	213359	Screw 8-32 X 1/2 TPF-M
6	1	553422	Kit, Channel
7	1	551148	Ground Bar
8	3	218958	Ground Wire Assembly
9	4	<a href="#">213192</a>	Pop Rivet, 5/32 X 1/4 SS
10	4	213107	#10 External Tooth Washer
11	4	213425	Screw, 10-32 X 3/8, Green Ground
12	2	212185	Conduit, 1/2 Flex Steel
13	2	212126	Connector, 1/2 90 Degrees
14	2	212112	Anti Short Bushing
15	2	212540	Straight Connector
16	1	228932	Gasket, Dry Channel 3
17	1	228940	Display Control Board, KFC 3 Zone Control
Not Shown	1	218934	Ground Wire Assembly

## DRY CHANNEL WARMER – REV 5.1



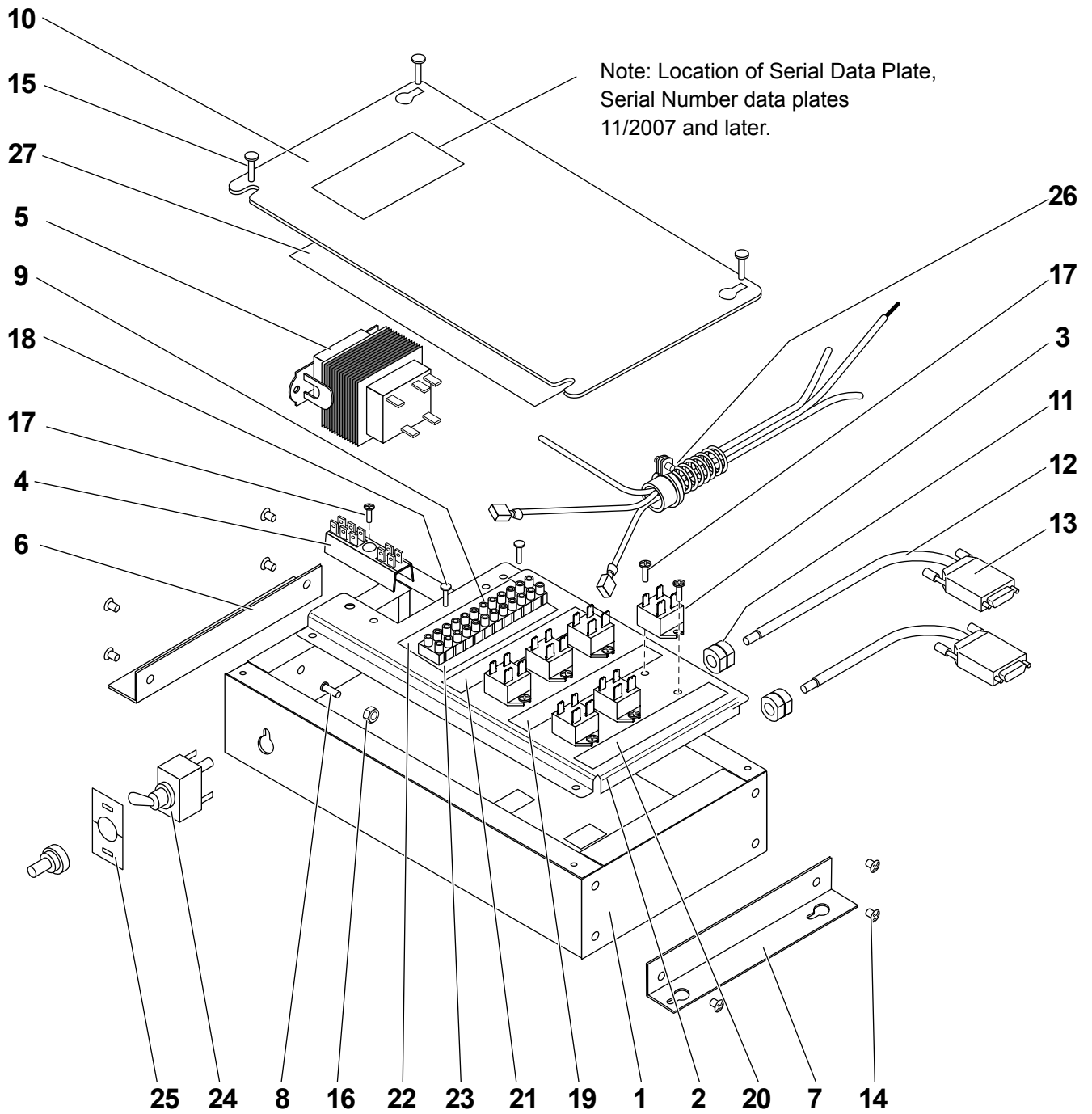
ITEM	QTY.	PART NUMBER	DESCRIPTION
1	1	553263	Tub Assembly, 6 Channel Dry Well
2	2	<a href="#">553271</a>	Relay Box With Switch Assembly
3	2	218880	Control Board Display Assembly
Not Shown	5	218850	Dry Channel Data Plate
Not Shown	1	218853	Operations Manual

## DRY CHANNEL WARMER – REV 5.1, CONTINUED



ITEM	QTY.	PART NUMBER	DESCRIPTION
1	1	553410	Tub, 6 Channel
2	6	213216	Nutsert, ALM1-832-80
3	1	218874	Insulation, Fiberfrax #8-1.5 Inches
4	1	553412	Top, 6 Channel Dry Channel
5	6	213359	Screw 8-32 X 1/2 TPF-M
6	1	553290	Kit, Channel
7	2	551148	Ground Bar
8	6	218958	Ground Wire Assembly
9	8	213192	Pop Rivet, 5/32 X 1/4 SS
10	7	213107	#10 External Tooth Washer
11	7	213425	Screw, 10-32 X 3/8, Green Ground
12	4	212185	Conduit, 1/2 Flex Steel
13	4	212126	Connector, 1/2 90 Degrees
14	4	212112	Anti Short Bushing
15	4	212540	Straight Connector
16	1	228931	Gasket, Dry Channel 3
Not Shown	1	218934	Ground Wire Assembly

## DRY CHANNEL RELAY BOX ASSEMBLY REV 5.1



ITEM	QTY.	PART NUMBER	DESCRIPTION
1	1	553286	Box, Relay with Switch
2	1	553256	Plate, Relay Mounting
3	6	218828	Relay, Mini No 20A-240V-24V
4	1	218805	Terminal Block
5	1	218829	Transformer, 208/240V Pri, 24V Sec
6	1	553202	Angle, Mounting Bracket, Left
7	1	553203	Angle, Mounting Bracket, Right
8	1	213403	Stud PEM 8-32 X 1/2 SS
9	1	218902	Barrier Strip
10	1	553257	Top, Relay Box
11	2	218904	Bushing, HEYCO 1217
12	1	218918	Harness, Dry Channel
13	1	218917	Harness, Dry Channel
14	12	213166	Pop Rivit 5/32 X 1/8 SS
15	4	213196	Screw, 8-32 X 1/2 PAN PHIL
16	4	154458	Nut Hex 8-32 HZ-T KEPS
17	13	213032	Screw 8 X 1/2 TEK PHIL
18	2	213427	Screw 4-40 X 1/2 FPPH
19	1	218919	Relays, Center Label
20	1	218919	Relays, Inside Label
21	1	218919	Relays, Outside Label
22	1	218919	RTD Colors Label
23	1	218919	RTD Numbers Label
24	1	218963	Switch, Toggle NKK 25 Amp
25	1	218965	Plate, ON – OFF 12MM
26	2	218946	Conduit, Assembly Power Supply Relay Box Hardwired
27	1	218819	Wiring Diagram

## NOTES

## NOTES



*"Your Solutions Partner"*

## **Duke Manufacturing Company**

**2305 N. Broadway • St. Louis, MO 63102**

**800.735.3853 • 314.231.1130**

**Fax: 314-231-5074**

**[www.dukemfg.com](http://www.dukemfg.com)**