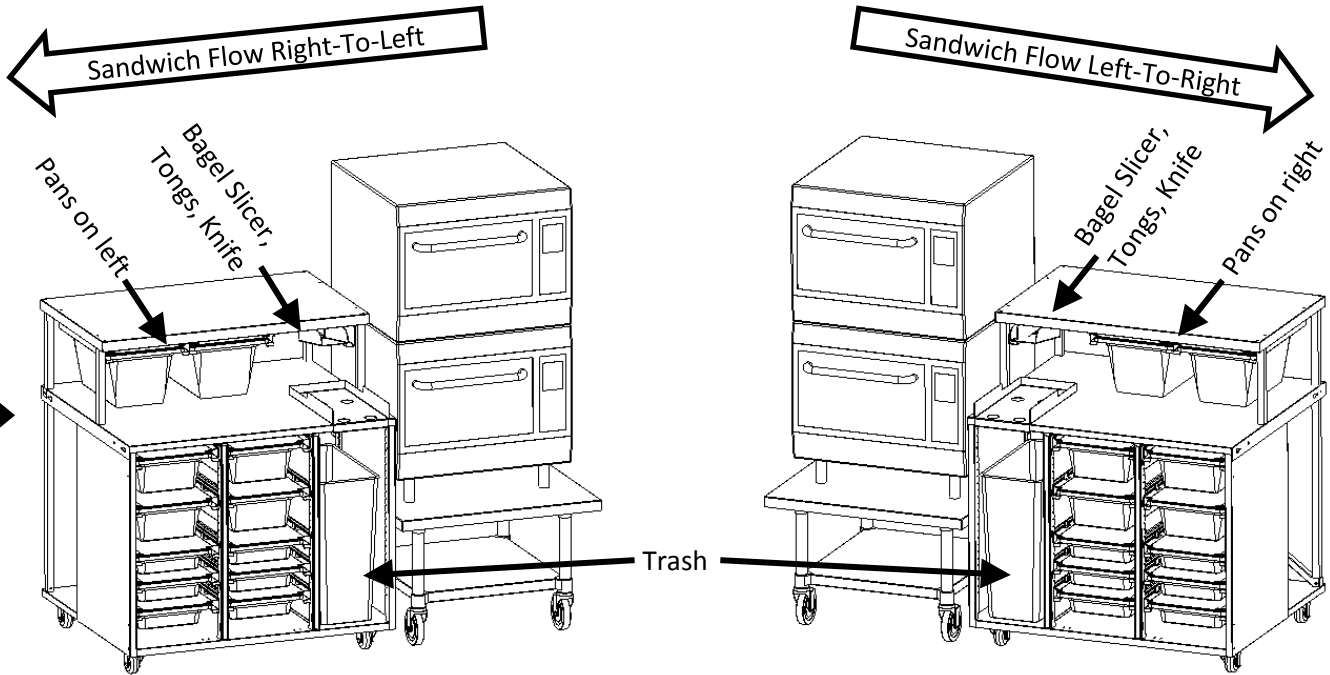


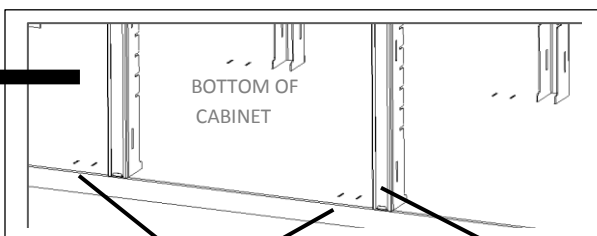
Duke Universal Toast Station Installation Manual

Step 1: Determine placement of the toast station in relation to Turbo Chef Ovens. This will dictate how to assemble the cabinet.



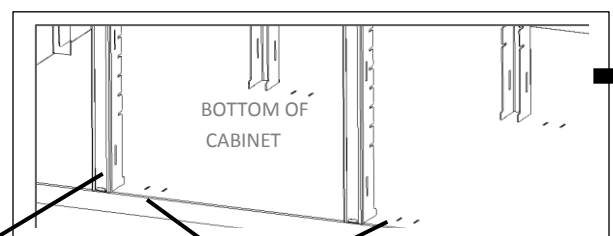
Step 2: Cabinet assembly.

A. Install lower pan support frames on appropriate side, according to the picture above



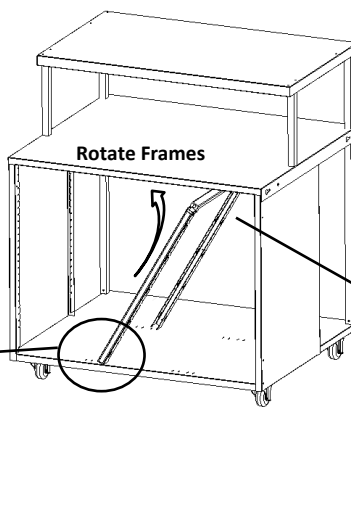
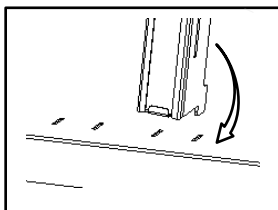
Open slots on left

Label holders toward front

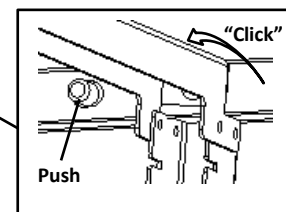


Open slots on right

Hook bottom into correct slots

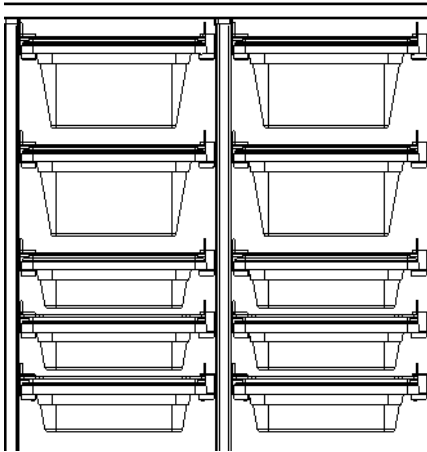


Lock into place with push buttons (Front & Rear)

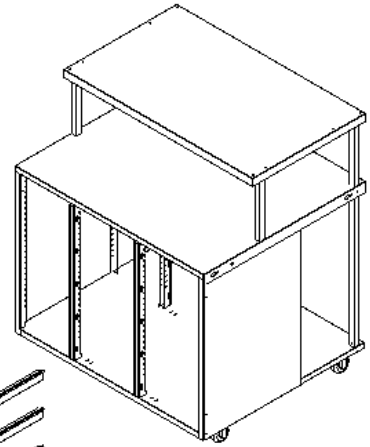
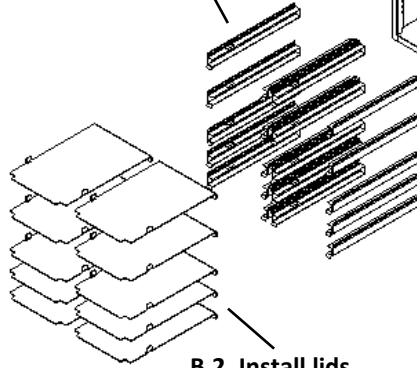


B. Install pan supports, lids and pans

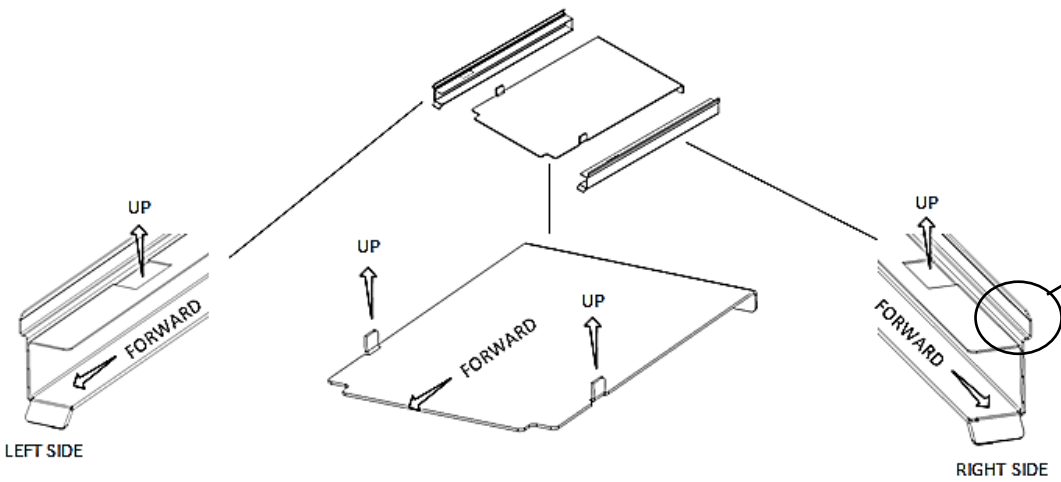
Typical pan layout



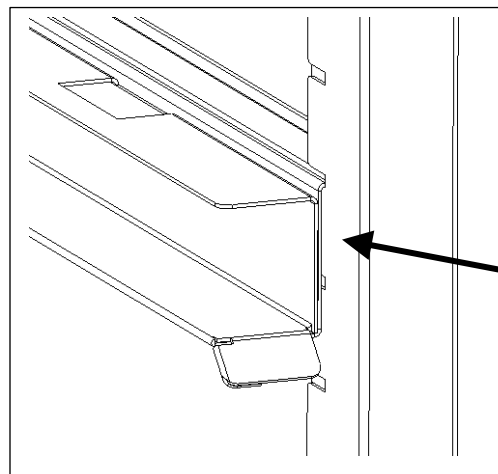
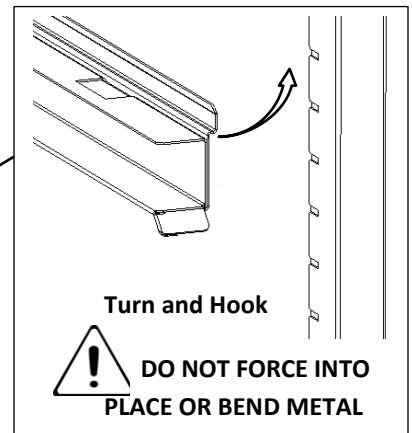
B.1. Install ALL pan supports first



B.2. Install lids



Pan support installation

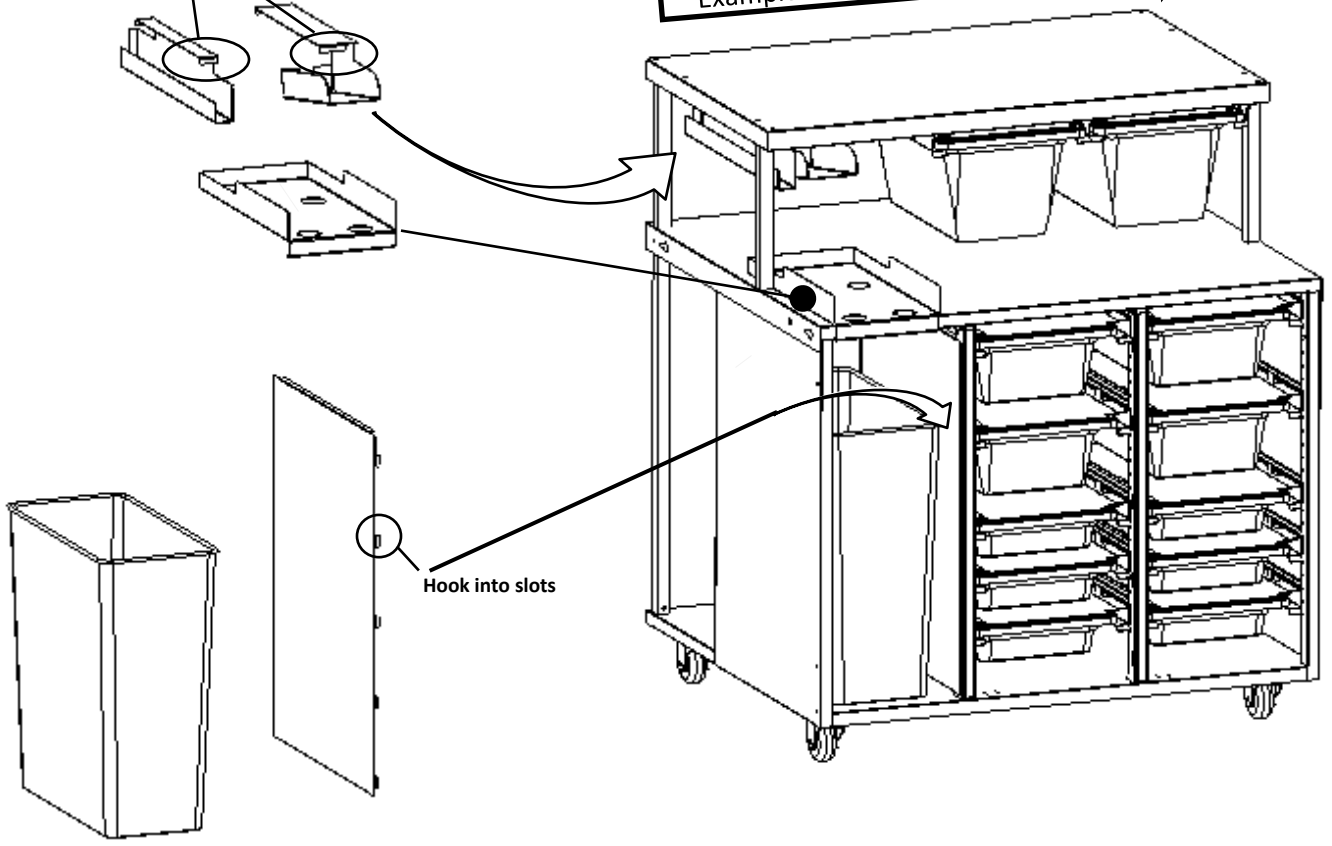


Should be tight and flat after installation

C. Install trash can divider, tong and knife block holder

Hook into slots
located under shelf

Example Sandwich Flow Left-To-Right





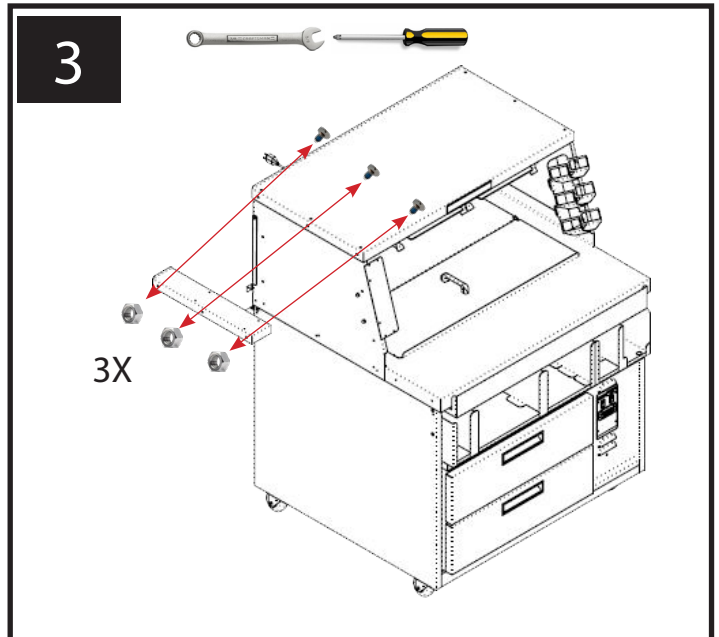
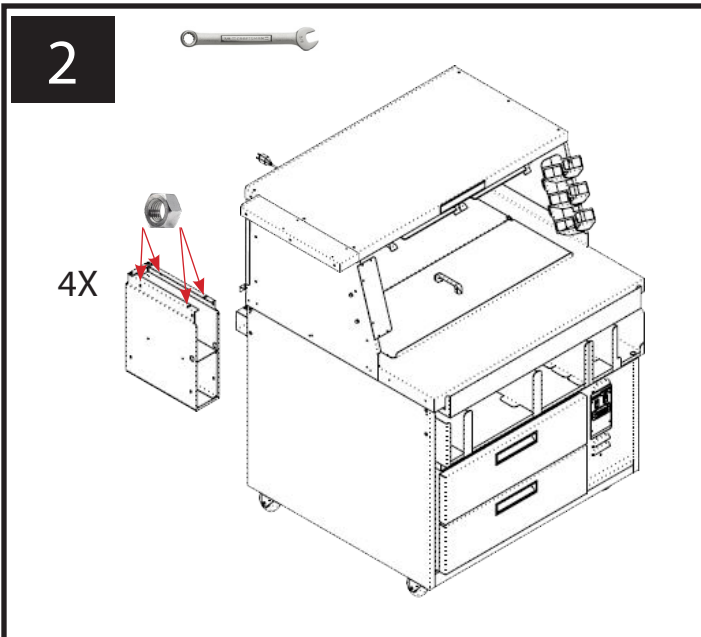
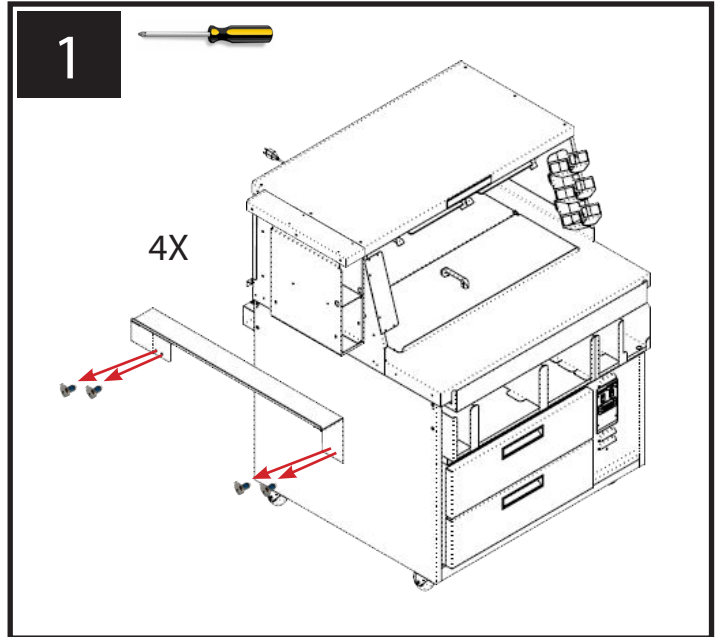
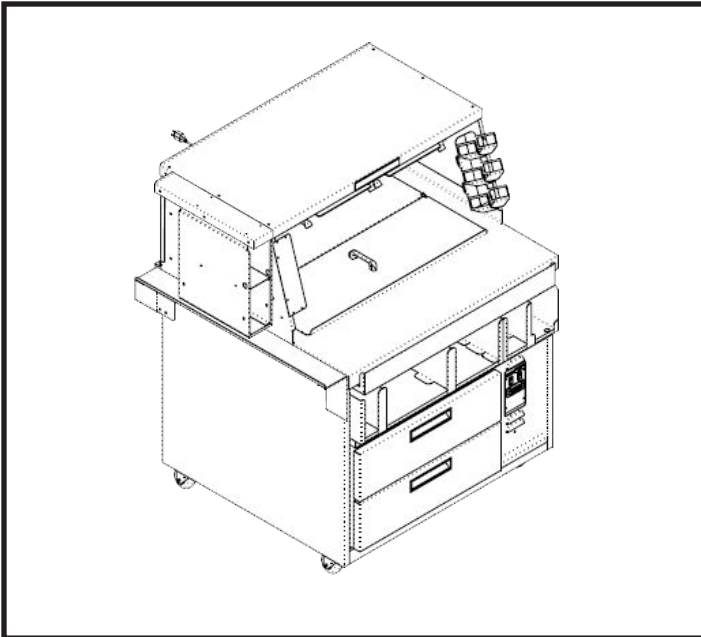
Your Solutions Partner

Instruction Sheet

Sandwich and Bag Holder Retrofit Left to Right Switch



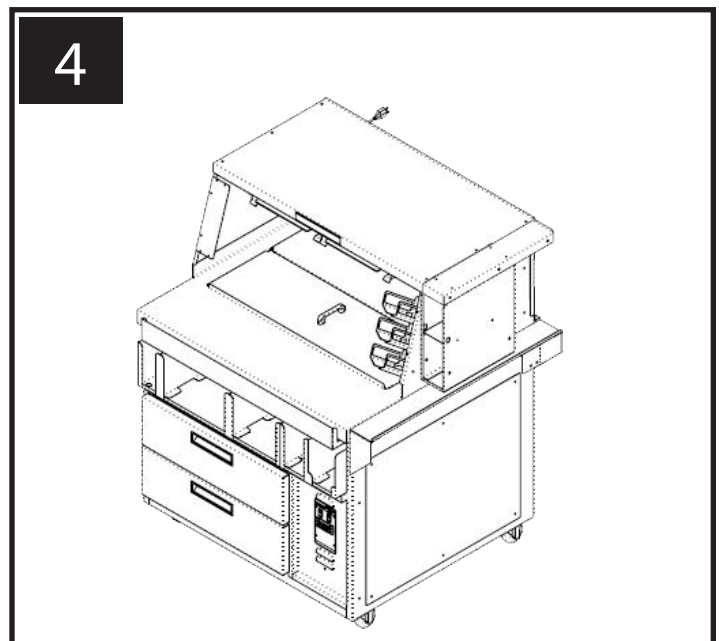
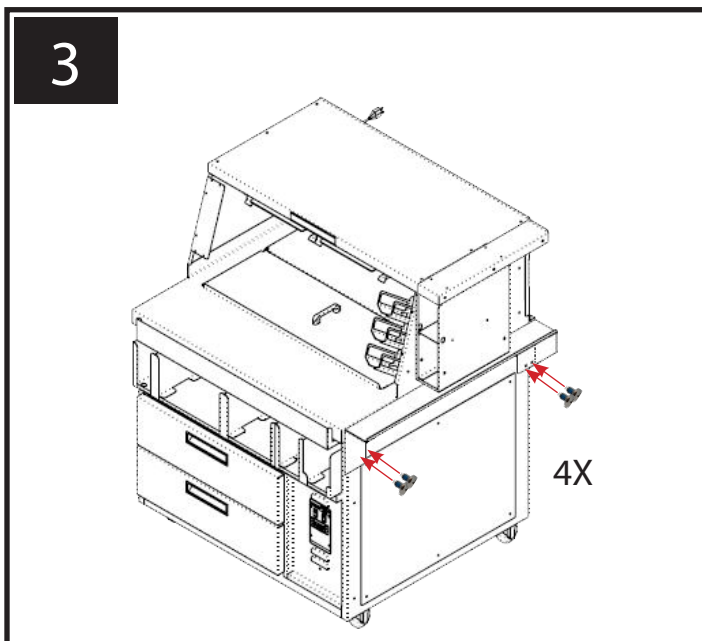
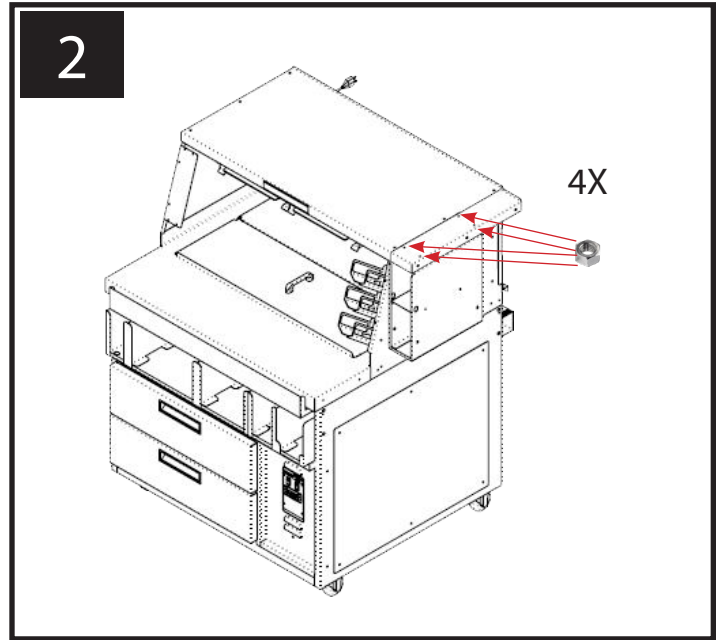
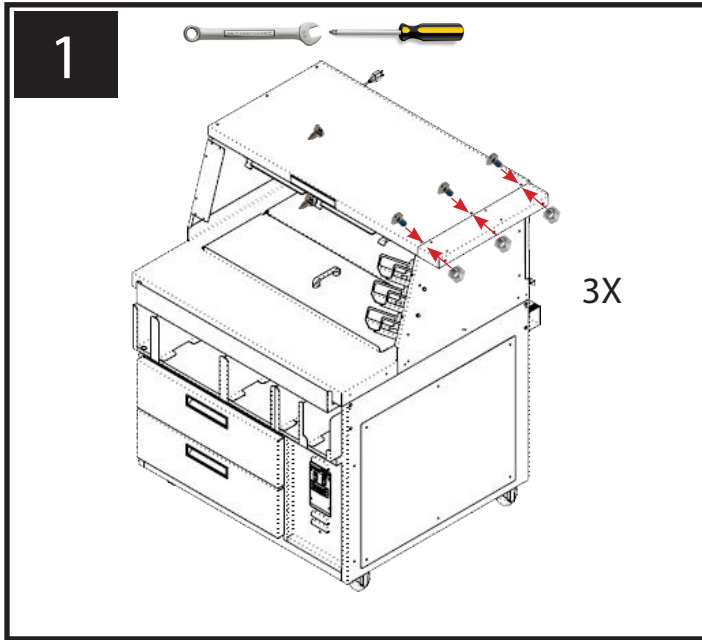
3/8" SAE



CAUTION: Please read these instructions completely before attempting to install, operate or service this equipment.

This manual is Copyright © 2018 Duke Manufacturing Co. All rights reserved. Reproduction without written permission is prohibited. Duke is a registered trademark of the Duke Manufacturing Co.

P/N 229225
REV A 11/13/2018



Your Solutions Partner

Duke Manufacturing Co.

2305 N. Broadway
St. Louis, MO 63102

Phone: 314-231-1130

Toll Free: 1-800-735-3853

Fax: 314-231-5074

www.dukemfg.com



Oven Stand Conversion Left to Right Switch

Instruction Sheet

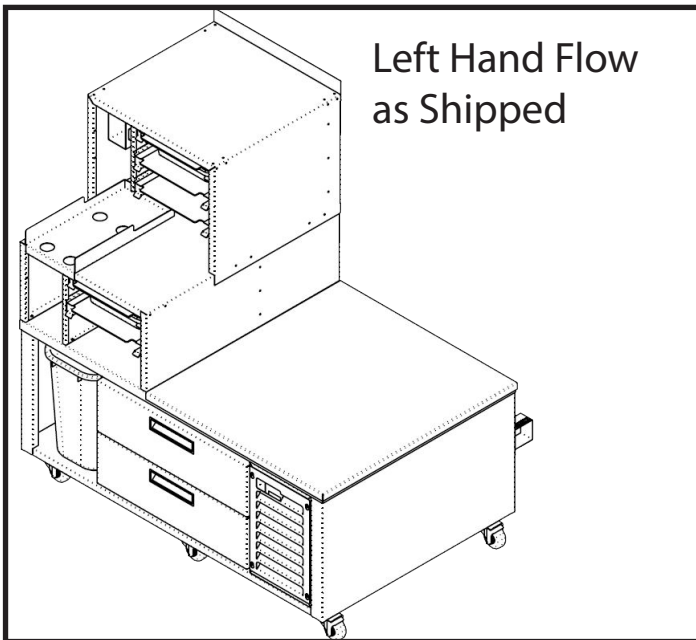
Your Solutions Partner

Units are shipped for left hand flow.

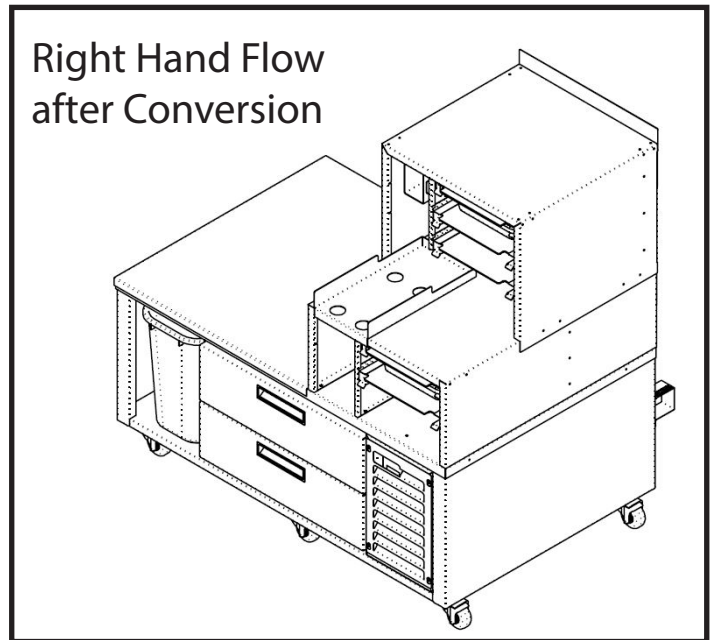


This conversion is required for a right hand flow.

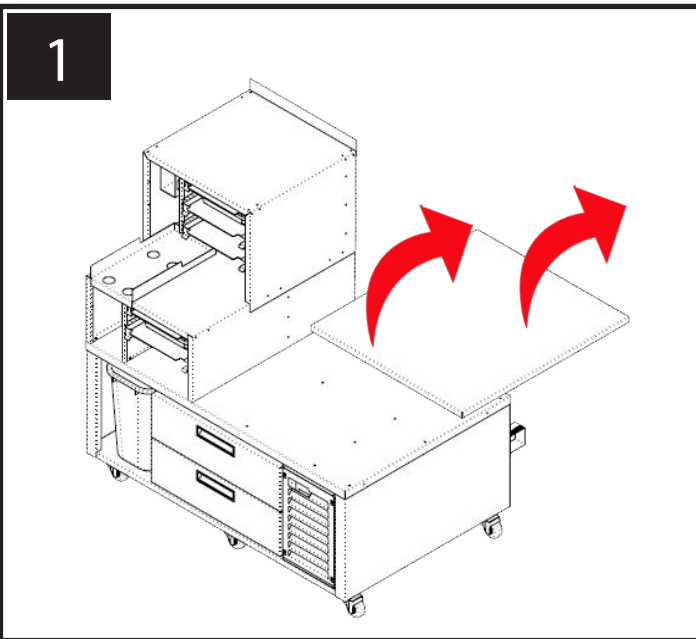
Ovens must be placed opposite Assembly Station as Shown



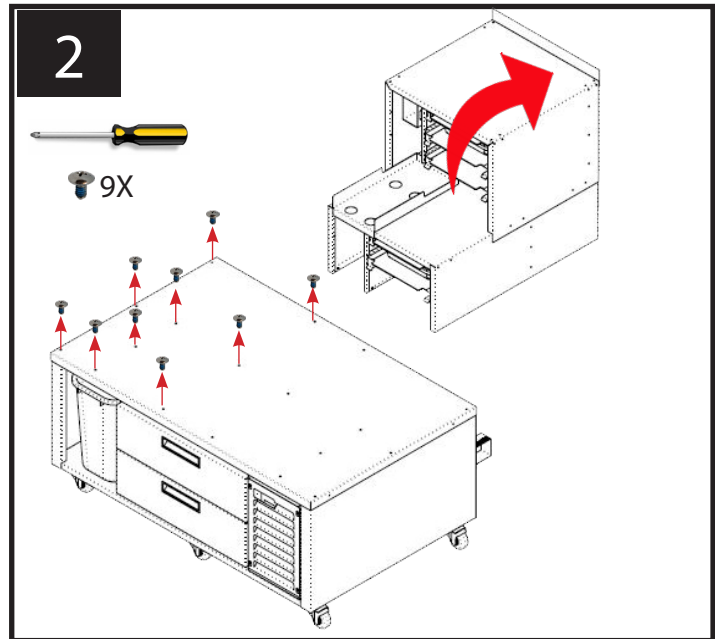
Left Hand Flow
as Shipped



Right Hand Flow
after Conversion



1



2



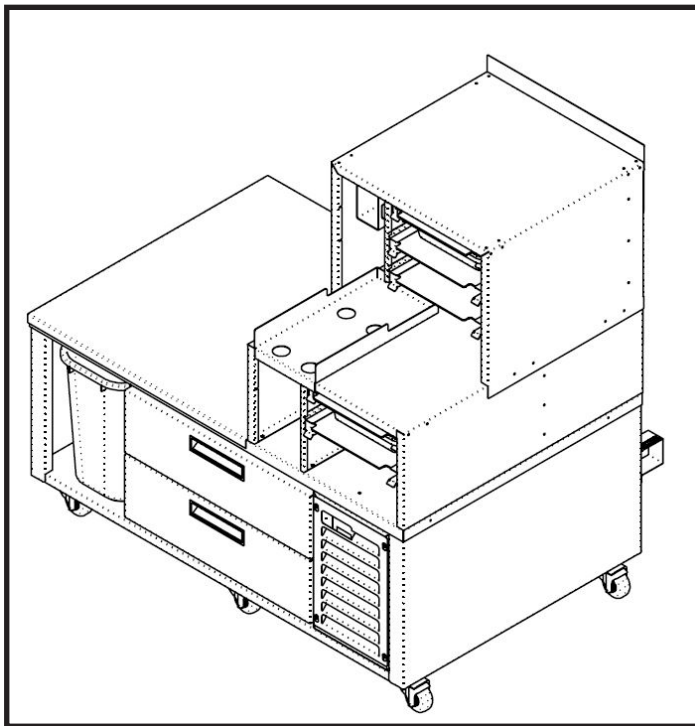
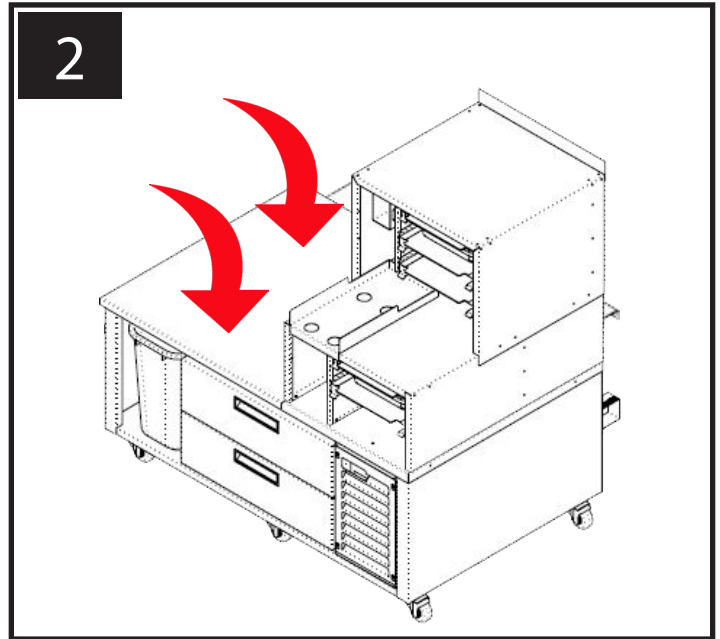
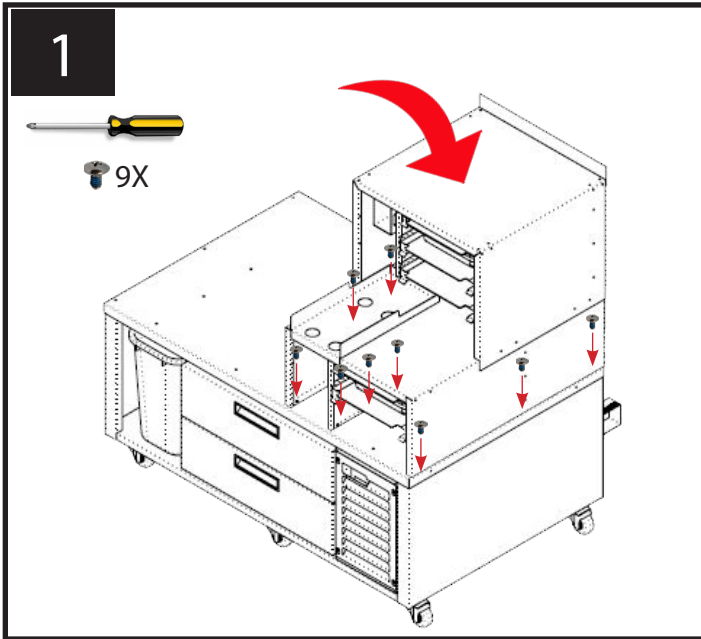
9X

CAUTION: Please read these instructions completely before attempting to install, operate or service this equipment.

*This manual is Copyright © 2019 Duke Manufacturing Co. All rights reserved.
Reproduction without written permission is prohibited. Duke is a registered
trademark of the Duke Manufacturing Co.*

P/N 229226
REV B 09/06/2019

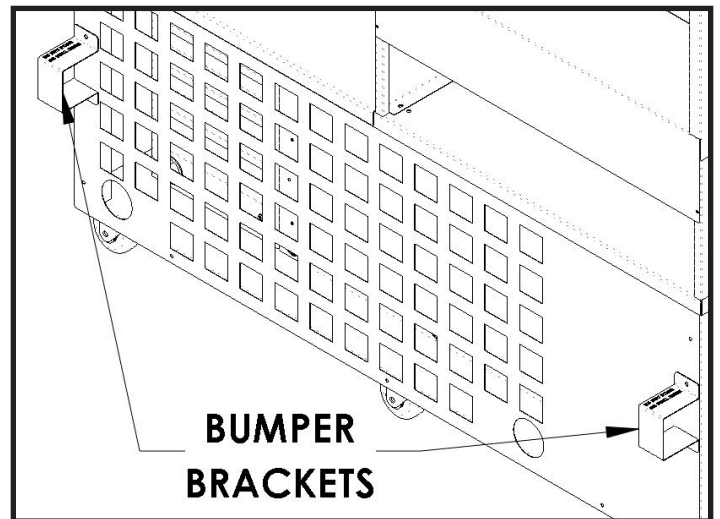
RIGHT HAND FLOW CONVERSION



CAUTION

If bumper brackets are removed during installation, they **MUST** be replaced.

Failure to do so **WILL VOID WARRANTY**



Your Solutions Partner

Duke Manufacturing Co.

2305 N. Broadway
St. Louis, MO 63102

Phone: 314-231-1130

Toll Free: 1-800-735-3853

Fax: 314-231-5074

www.dukemfg.com