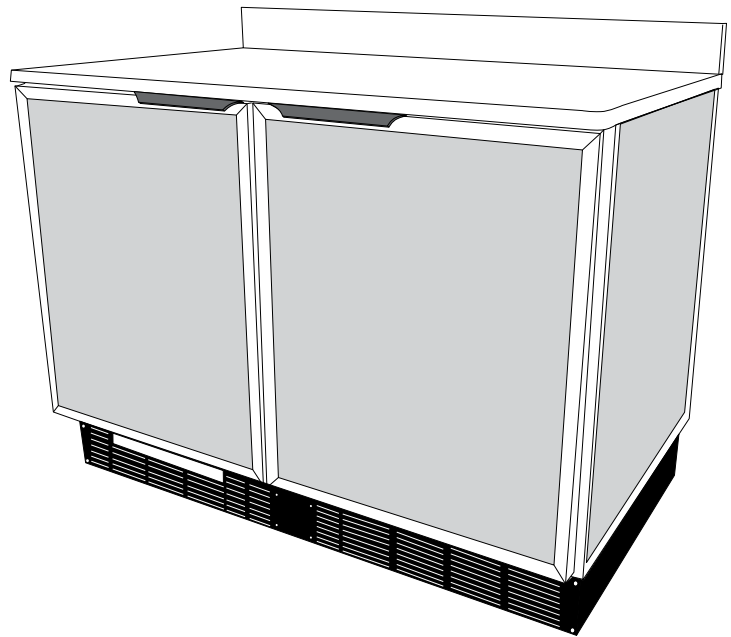




Your Solutions Partner

Illustrated Parts List



REFRIGERATED BACK BAR

MODEL

RUF-48

This manual is Copyright © 2021 Duke Manufacturing Co. All rights reserved.
Reproduction without written permission is prohibited. Duke is a registered
trademark of the Duke Manufacturing Co..

Duke Manufacturing Co.

2305 N. Broadway
St. Louis, MO 63102
Phone: 314-231-1130
Toll Free: 1-800-735-3853
Fax: 314-231-5074
www.dukemfg.com



TABLE OF CONTENTS

HOW TO DETERMINE MANUFACTURE DATE FROM DUKE EQUIPMENT SERIAL NUMBERS 3

MAIN CABINET 4
 Table: PL-1 Main Cabinet 4
 Figure: PL-1 Main Cabinet 5

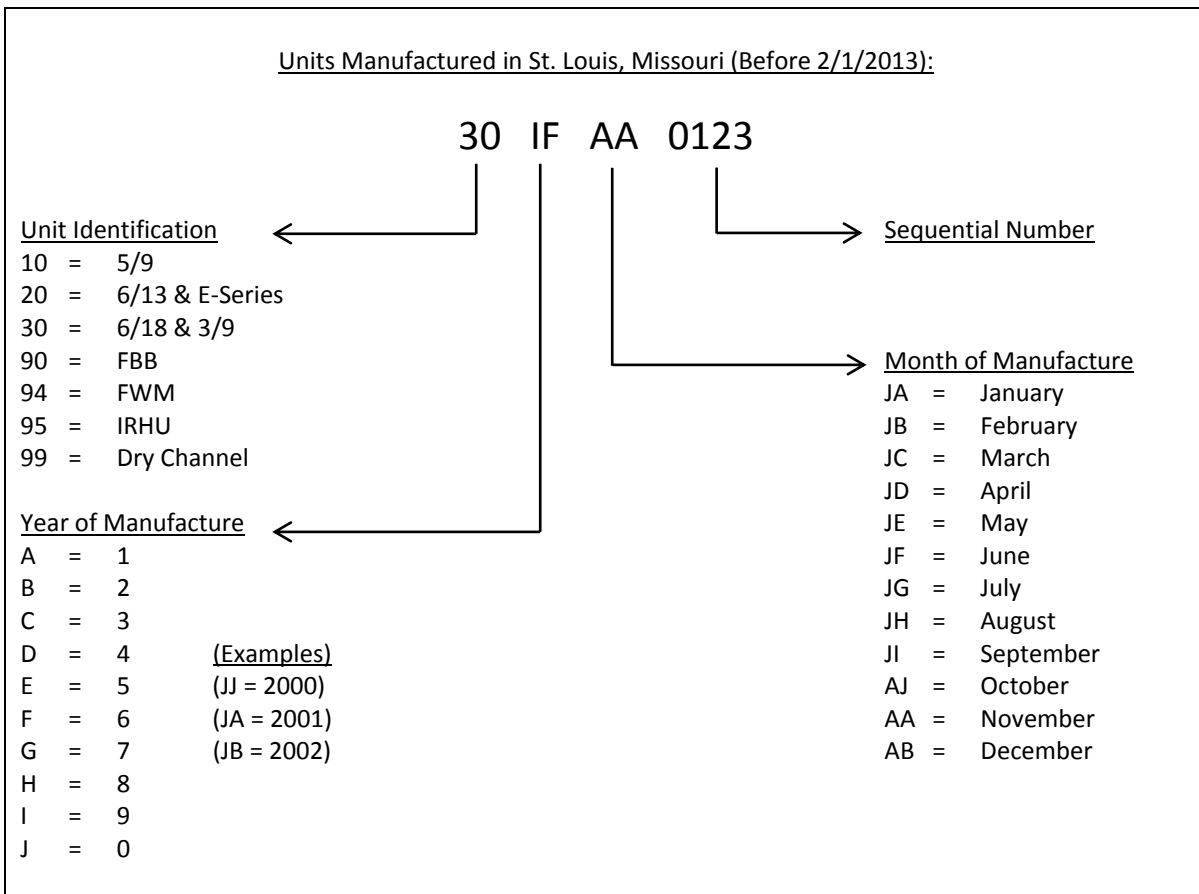
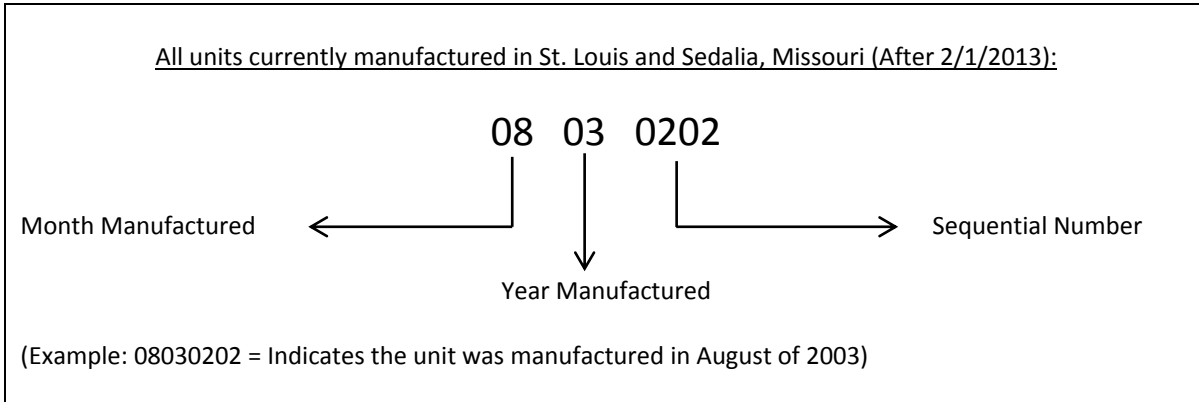
DOOR ASSEMBLY 6
 Table: PL-2 Door Assembly 6
 Figure: PL-2 Door Assembly 7

REFRIGERATION UNIT 8
 Table: PL-1 Refrigeration Unit 8
 Figure: PL-1 Refrigeration Unit 8

WIRE DIAGRAM 120VAC, RUF 10

WIRE DIAGRAM 240VAC, RUF 11

How to Determine Manufacture Date from Duke Equipment Serial Numbers



MAIN CABINET

ITEM	QTY.	PART NO.	DESCRIPTION
1	1	259892	Kit, RUF Evaporator Cover w/Guard (<i>Mechanical</i>)
	1	257312	Assy, RUF Evap, 120V (<i>Digital - Prior to Serial #04170731</i>)
	1	1064-2025	Assy, RUF Evap, 120V (<i>Digital - Begining Serial #04170731</i>)
Not Shown	1	1064-0078	Guard, Fan RUF (<i>Ref, 1064-2025</i>)
Not Shown	1	2504425	Evaporator Panel and Fan Mount Ring (<i>Ref, 1064-2025</i>)
2	1	RUF-FAN-ASY-220	Evaporator Fan Motor & Blade Replacement, 220V, 50/60Hz
	1	RUF-FAN-ASY-120	Evaporator Fan Motor & Blade Replacement, 120V, 60Hz
	1	226211	Evaporator Fan Motor (<i>Ref, 1064-2025</i>)
	1	226209	Evaporator Fan Blade (<i>Ref, 1064-2025</i>)
3	1	COLD-KIT	Thermostat Kit
	1	226930-FK	Thermostat/Controller, BIT25 (<i>Fahrenheit</i>)
	1	226930-CK	Thermostat/Controller, BIT25 (<i>Celsius</i>)
			<i>(BIT25 Thermostat 226930 replaces LAE Thermostats 216827& 216830)</i>
Not Shown	1	216834	Sensor T1 LAE AD2-28 (<i>Ref-226930</i>)
Not Shown	1	226606	Sensor, Evap. Temp. (<i>Ref-226930</i>)
	1	216839	Thermostat, 115V Digital Elreha, LAE, TARN21170VK002
Not Shown	9 Ft	216526	Capil Tube .050
Not Shown	5 Ft	216599	Capil Tube .054 (PRIOR TO 04-17-2002)
Not Shown	1	226212	Expansion Valve, EFJ-18-C, TXV
4	1	250078	Angle Trim, Front Assembly, Left
	1	250079	Angle Trim, Front Assembly, Right
5	2	RS003089	Laminate, Font Hill Pear, End Panel
	2	2501414	Laminate, 430SS, End Panel
	1	FORM-SSLAM-ENDLT-FS	Replacement Kit, SS Laminate w/Trim, Left Cabinet End
	1	FORM-SSLAM-ENDRT-FS	Replacement Kit, SS Laminate w/Trim, Right Cabinet End
	1	FORM-SSLAM-END-FS	Replacement Kit, SS Laminate w/Trim R & L Cabinet Ends
6	1	DOOR-RUF48L-FHP	Door RUF48, FHP, Replacement, Left Horizontal Handle
	1	DOOR-RUF48L-SS	Replacement Door, RUF48, Left, SS Laminate, Narrow Trim
7	1	DOOR-RUF48R-FHP	Door RUF48, FHP, Replacement, Right Horizontal Handle
	1	DOOR-RUF48R-SS	Replacement Door, RUF48, Right, SS Laminate, Narrow Trim
	1	2501541	Door, RUF48, SS Laminate & Narrow Trim (<i>Must Specify Right or Left Assy</i>)
8	1	251416	Front Kick Plate with Filter Slot
9	4	251420	Door Hinge, Solid Rod
	4	2540100032	Door Hinge with L-Braket -older style
	4	215045	Hinge Pin Bronze Bushing - older style
	4	214678	Hinge Pin - older style
10	4	214524	Caster, with Lock
	4	214556	Leg
11	2	250062	Angle Trim, Rear
12	2	250077	Angle Trim, BB End Assembly
13	2	RUF-RACK-RT	Wire Rack, Right
14	2	RUF-RACK-LT	Wire Rack, Left
Not Shown	8	214728	Support Stud, SS Wire Rack
16	2	2520040021	Kick Plate, End
17	1	2420050041	Kick Plate, Rear
18	1	255451	Thermostat Bracket
19	1	216516	Evaporator Coil
20	1	256010	Assy, Top, RUF 48 120V
	1	256011	Assy, Top, RUF 48 220V
21	1	217098	Filter, Air 10" x 24" x 1"
Not Shown	2	215321	Stripping, Door Sweep
Not Shown	1	216575	Thermometer, 120VAC units

Table: PL-1 Main Cabinet

MAIN CABINET

Not Shown	1	216843	Digital Readout Thermometer, 220VAC units
Not Shown	A/R	214734	Plastic Plugs for Shelf Pin Holes
Not Shown	1	SUB-RUF-MULLION	Replacement Mullion Assembly, RUF

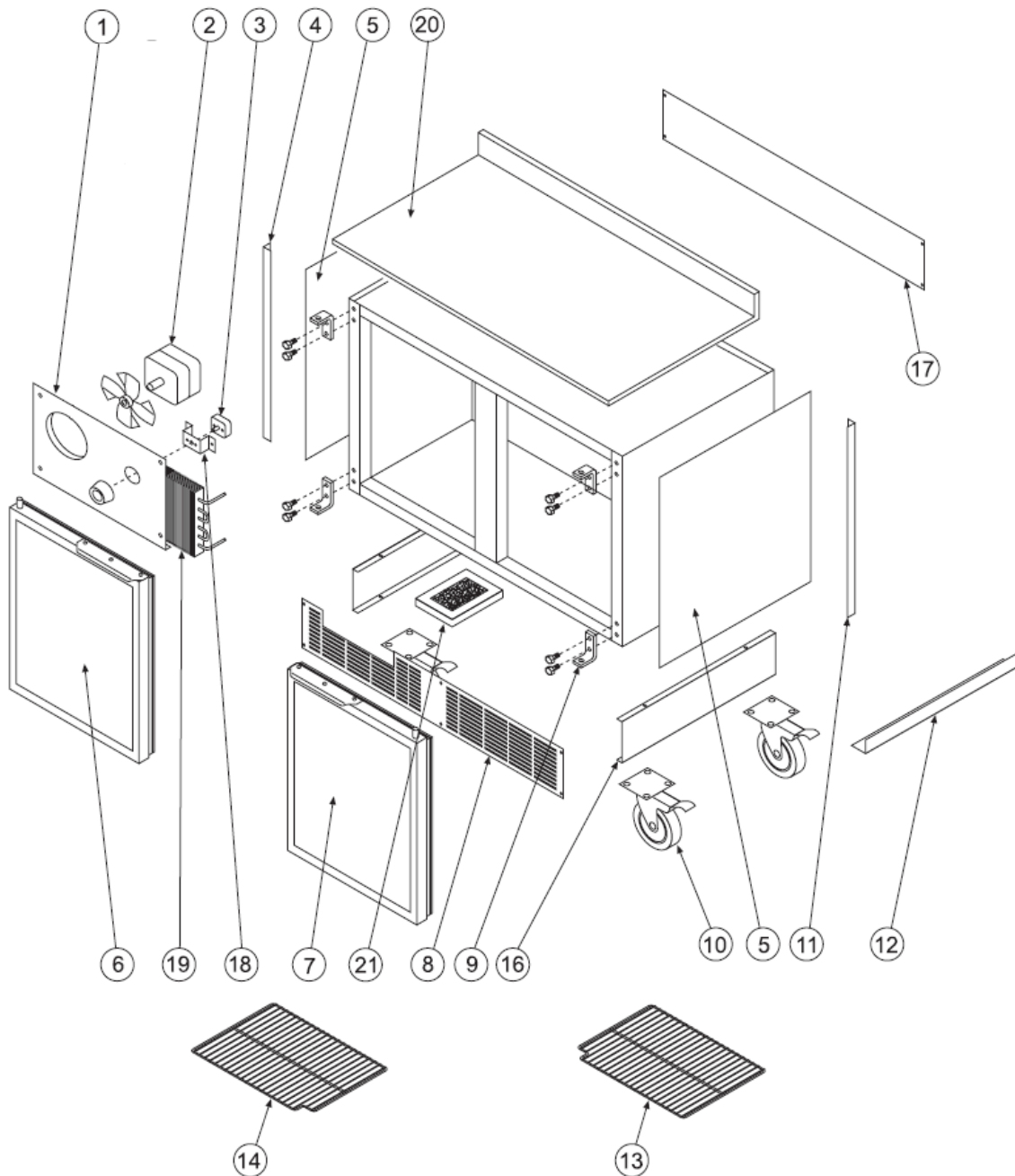


Figure: PL-1 Main Cabinet

DOOR ASSEMBLY

ITEM	QTY.	PART NO.	DESCRIPTION
1	2	215319	Rod, Door, 3/8"
2	1	256097	Assembly, Trim, RBC Door, 4' Std. Ht. Welded & Polished
	1	TRIM-NAR-RUF48-WL	Replacement, Narrow Door Trim, RUF48, Welded & Polished
3	2	RS003087	Laminate, Font Hill Pear, 23.25" x 28", No Waste
	2	2501400	Laminate, 430SS, 23.25" x 28.188", No Waste
Not Shown	1	FORM-SSLAM-48RUF-FS	Replacement Kit, SS Door Laminate, w/Narrow Trim
4	2	251440	Door, RUF
5	2	216087	Insulation, Door RUF
6	2	216683	Door, Gasket (Screw on style) Magnetic, 21.5 x 26.625 .75
Not Shown	2	226601	Door, Gasket (Press in style) Magnetic, 21.875 x 27.312 .563
7	2	2544370272	Panel, Door Interior
8	26	213032	Screw, 8-18 x 1/2"
9	6	213391	Screw for 215139 & 225139 Handle
10	2	225500	Kit, Handle, Aluminum, Black, Painted (Top Mount)
	2	253430	Handle, Stainless Steel (Top Mount)
	2	214825	Handle, Black 6" (Face Mount)
Not Shown	2	214896	Black Strip, Door Handle
11	4	213325	Washer
12	4	213324	E-Clip, SS

Table: PL-2 Door Assembly

DOOR ASSEMBLY

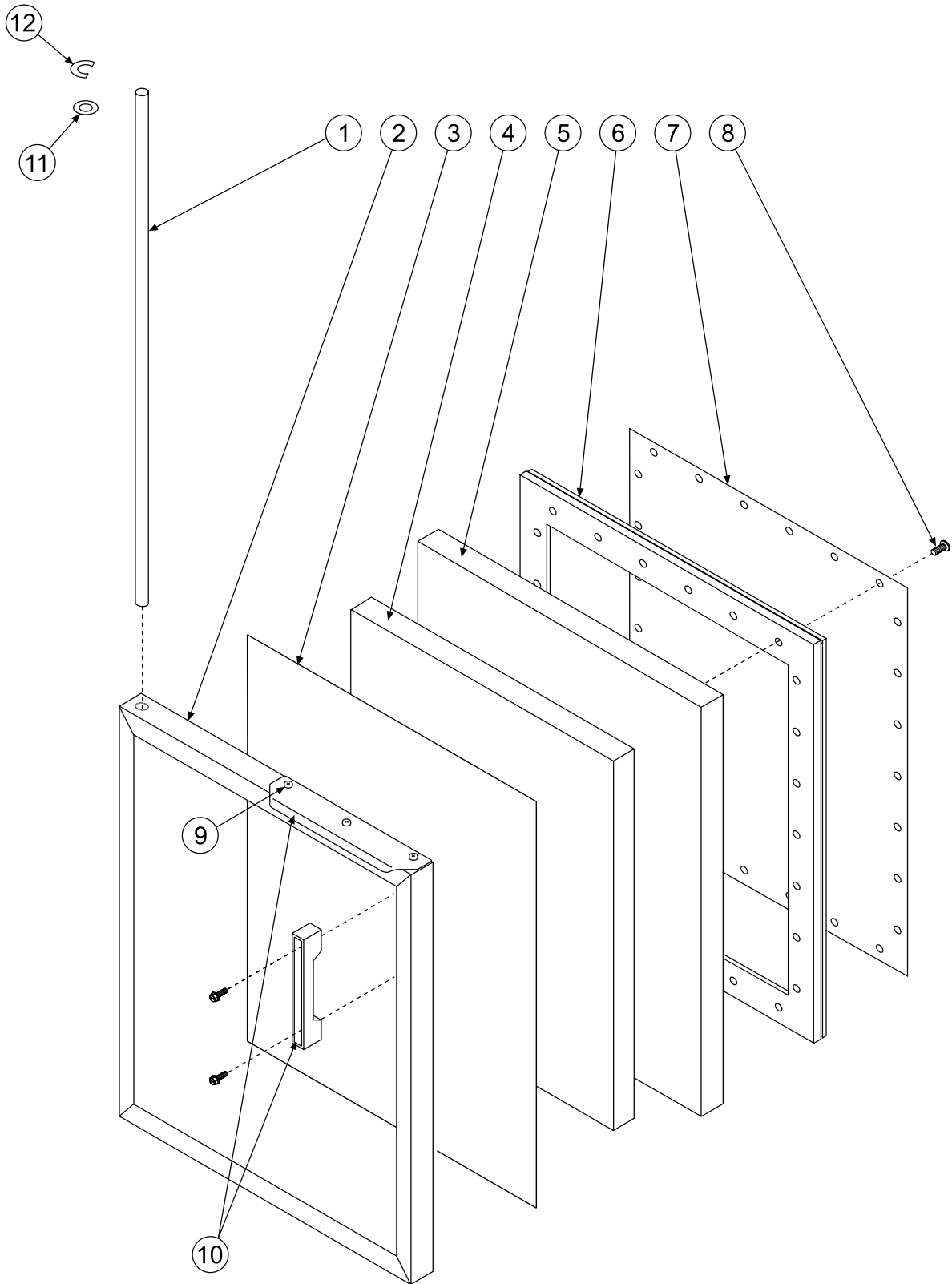


Figure: PL-2 Door Assembly



REFRIGERATION UNIT

ITEM	QTY.	PART NO.	DESCRIPTION
1	1	259891	Kit, RUF Condensation Pan (Includes Angle & Hardware)
Not Shown	1	216486	Condensing Unit, 120VAC 60Hz (Replaced by 226740)
2	1	527833	Compressor, for 216486 Condensing Unit, 120V/60Hz
3	1	217828	Fan Motor, for 216486 Condensing Unit, 120V/60Hz
7	1	217825	Overload Protector, for 216486 Condensing Unit, 120V/60Hz
Not Shown	1	217826	Relay, Emerson, for 216486 Condensing Unit, 120V/60Hz
Not Shown	1	217843	Start Capacitor, for 216468 Condensing Unit, 120V/60Hz
Not Shown	1	216616	Filter Dryer #DXA-5
Not Shown	1	226740	Condensing Unit, 120V 60Hz (Beginning Serial #03171105) <i>(226740 is No Longer Available, replaced by 226943)</i>
2	1	227832	Compressor, for 226740 Condensing Unit, 120V/60Hz
3	1	217808	Fan Motor, for 226740 Condensing Unit, 120V/60Hz
4	1	527802	Fan Blade, for 226740 Condensing Unit
5	1	527803	Condenser Coil, for 226740 Condensing Unit
7	1	227828	Overload Protector, for 226740 Condensing Unit, 120V/60Hz
Not Shown	1	227827	Relay, for 226740 Condensing Unit, 120V/60Hz
Not Shown	1	227826	Start Capacitor, for 226740 Condensing Unit, 120V/60Hz
Not Shown	1	527807	Filter Dryer, for 226740 Condensing Unit
Not Shown	1	527808	Sight Glass, for 226740 Condensing Unit
Not Shown	1	226212	Expansion Valve, EFJ-18-C, TXV, for 226740 Condensing Unit
Not Shown	1	226943	Condensing Unit, 115V 60Hz (Beginning Serial #02188362)
2	1	227832	Compressor for 226943 Condensing Unit
3	1	527813	Condenser Fan Motor for 226943 Condensing Unit
4	1	217829	Condenser Fan Blade for 226943 Condensing Unit
Not Shown	1	527814	Condenser Fan Motor Bracket for 226943 Condensing Unit
Not Shown	1	227826	Compressor Start Capacitor for 226943 Condensing Unit
Not Shown	1	227827	Relay for 226943 Condensing Unit
5	1	527811	Condenser Coil for 226943 Condensing Unit
7	1	227828	Protector for 226943 Condensing Unit
Not Shown	1	527812	Condenser Fan Guard for 226943 Condensing Unit
Not Shown	1	527807	Filter Dryer for 226943 Condensing Unit
Not Shown	1	527808	Site Glass for 226943 Condensing Unit
Not Shown	1	226407	High Pressure Cut-Out <i>(Used with 226943, sold separately)</i>
Not Shown	1	216447	Condensing Unit, 220V 50HZ
2	1	217837	Compressor, for 216447 Condensing Unit, 220V/50HZ
3	1	217811	Fan Motor, for 216447 Condensing Unit, 220V/50Hz
7	1	217862	Overload Protector, for 216447 Condensing Unit, 220V/50Hz
Not Shown	1	217863	Relay, Emerson, for 216447 Condensing Unit, 220V/50Hz
Not Shown	1	217864	Start Capacitor, for 216447 Condensing Unit, 220V/50Hz
Not Shown	1	216616	Filter Dryer #DXA-5
Not Shown	1	226486	Condensing Unit, 220V 60Hz
2	1	227912	Compressor, for 226486 Condensing Unit, 220V/60Hz
3	1	227913	Fan Motor, for 226486 Condensing Unit, 220V/60Hz
4	1	217829	Fan Blade, for 226486 Condensing Unit
7	1	217849	Overload Protector, for 226486 Condensing Unit, 220V/60Hz
Not Shown	1	227911	Relay, for 226486 Condensing Unit, 220V/60Hz
Not Shown	1	217847	Start Capacitor, for 226486 Condensing Unit, 220V/60Hz)
Not Shown	1	216616	Filter Dryer #DXA-5

Table: PL-3 Refrigeration Unit

REFRIGERATION UNIT

5	1	Condenser Coils other than 527803 - Must be ordered as a Condensing Unit
6	2	2544240022 Angle, Condensation Pan
8	1	259065 RUF Condensate Evaporator Coil (Formed)

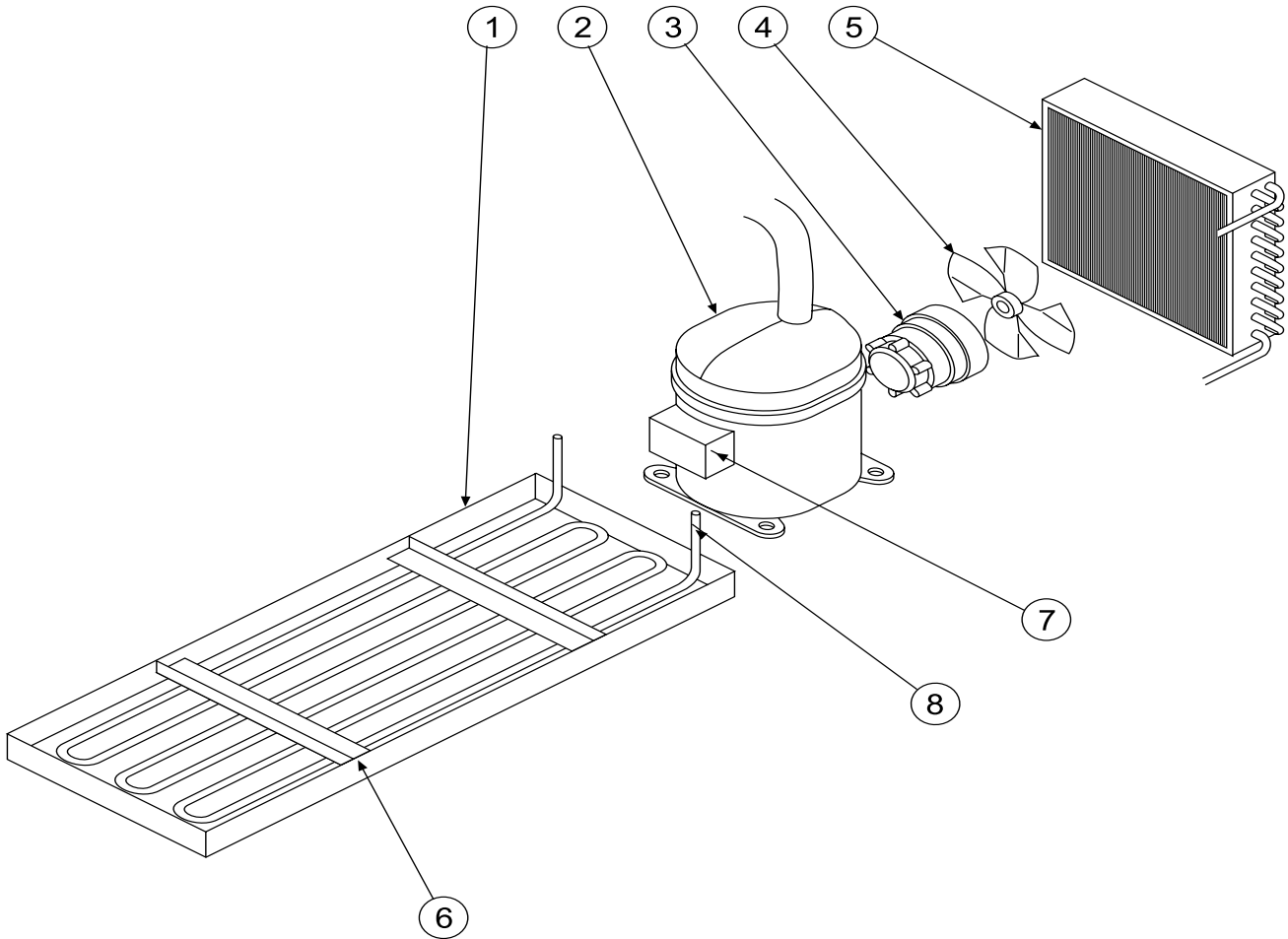
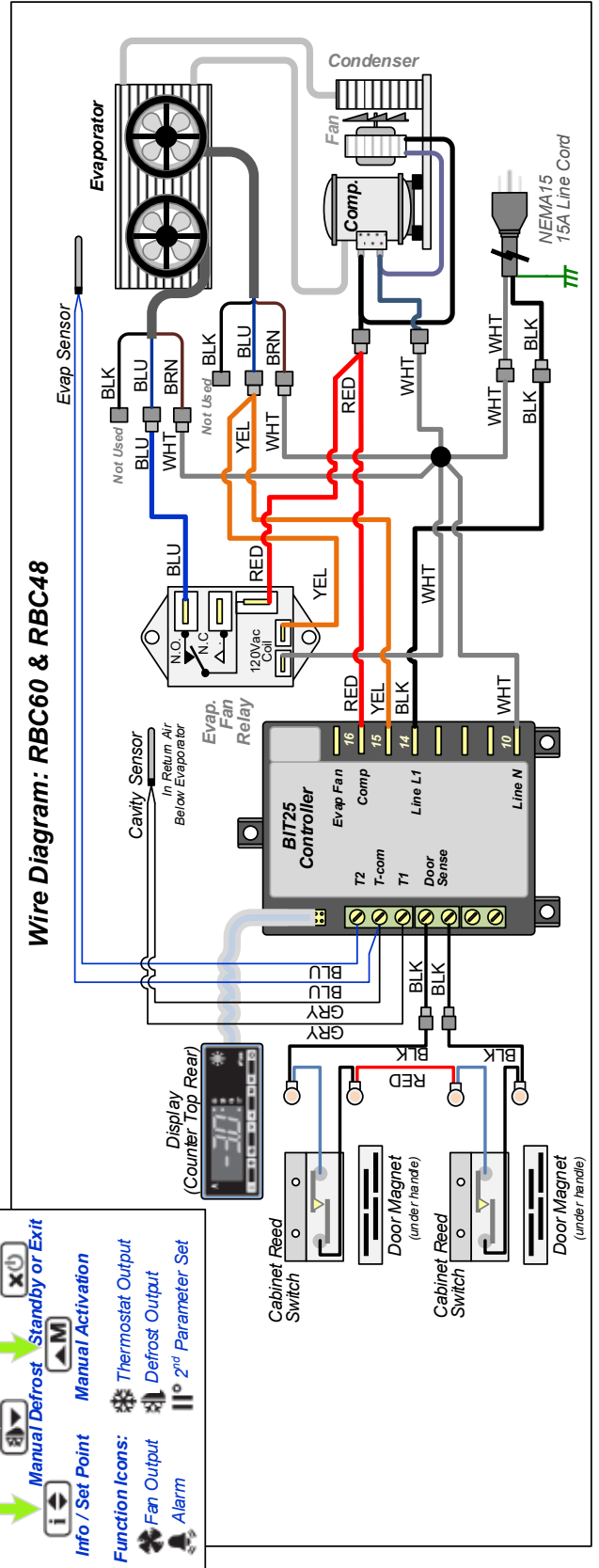
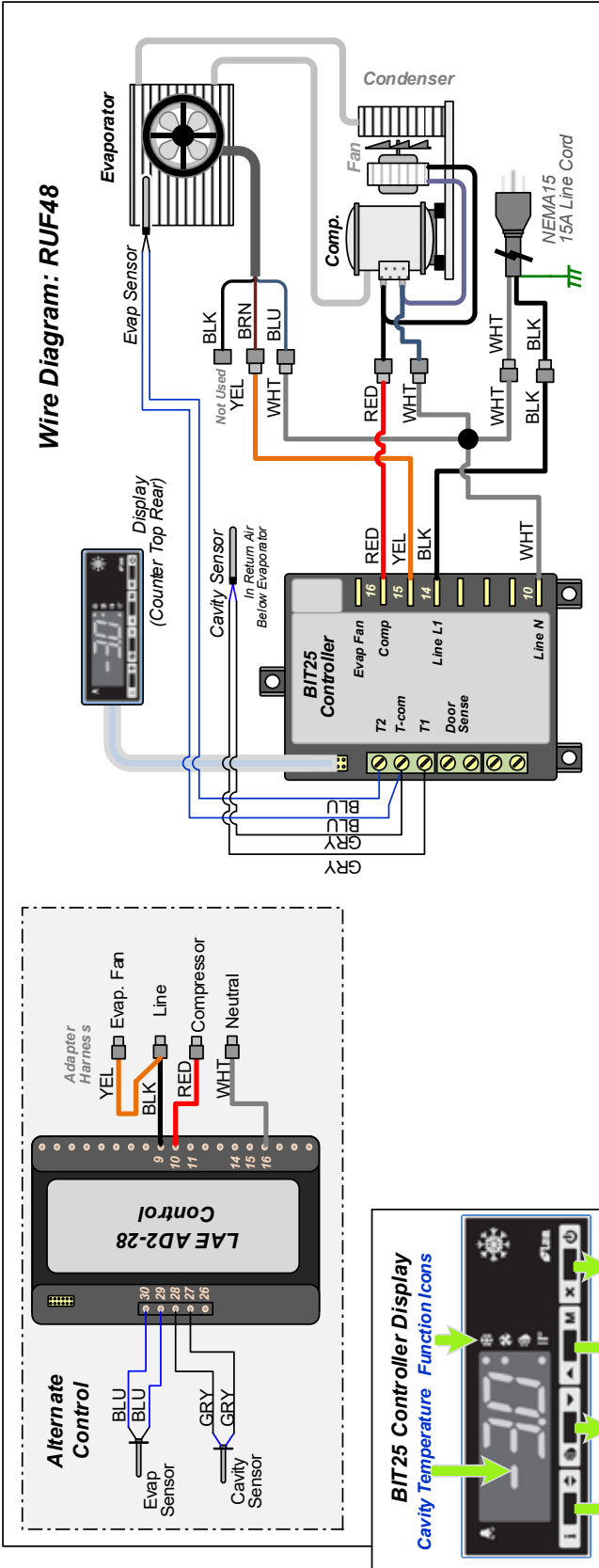
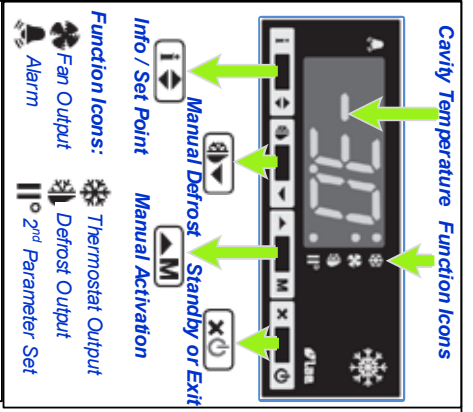


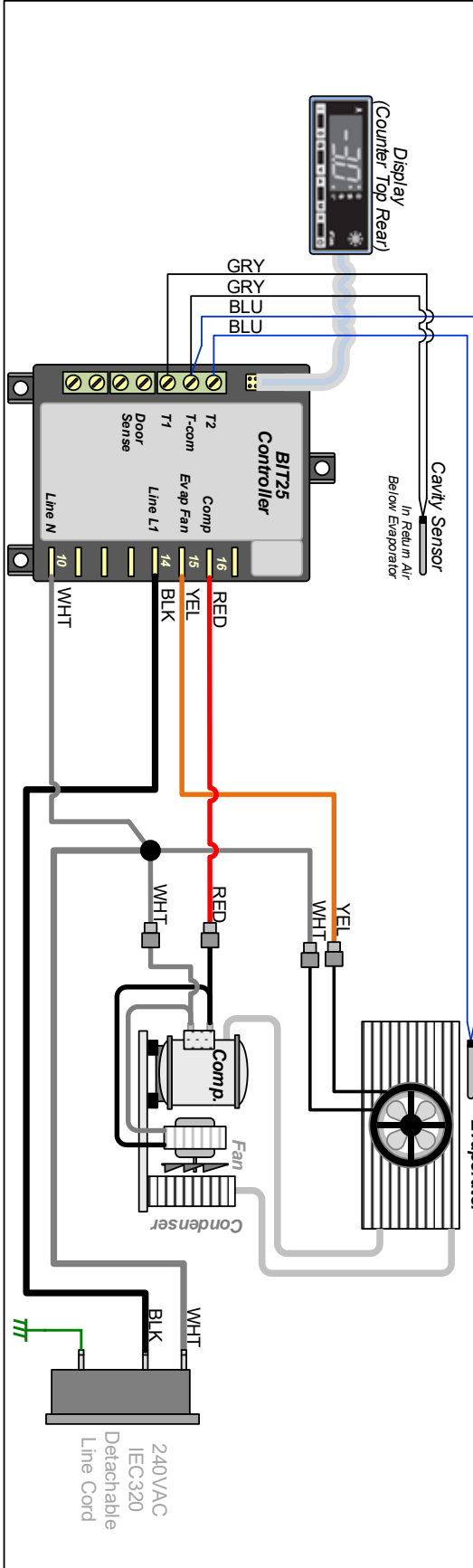
Figure: PL-3 Refrigeration Unit

Wire Diagram - RBC & RUF Models ELC0009 Rev. E 08/7/17

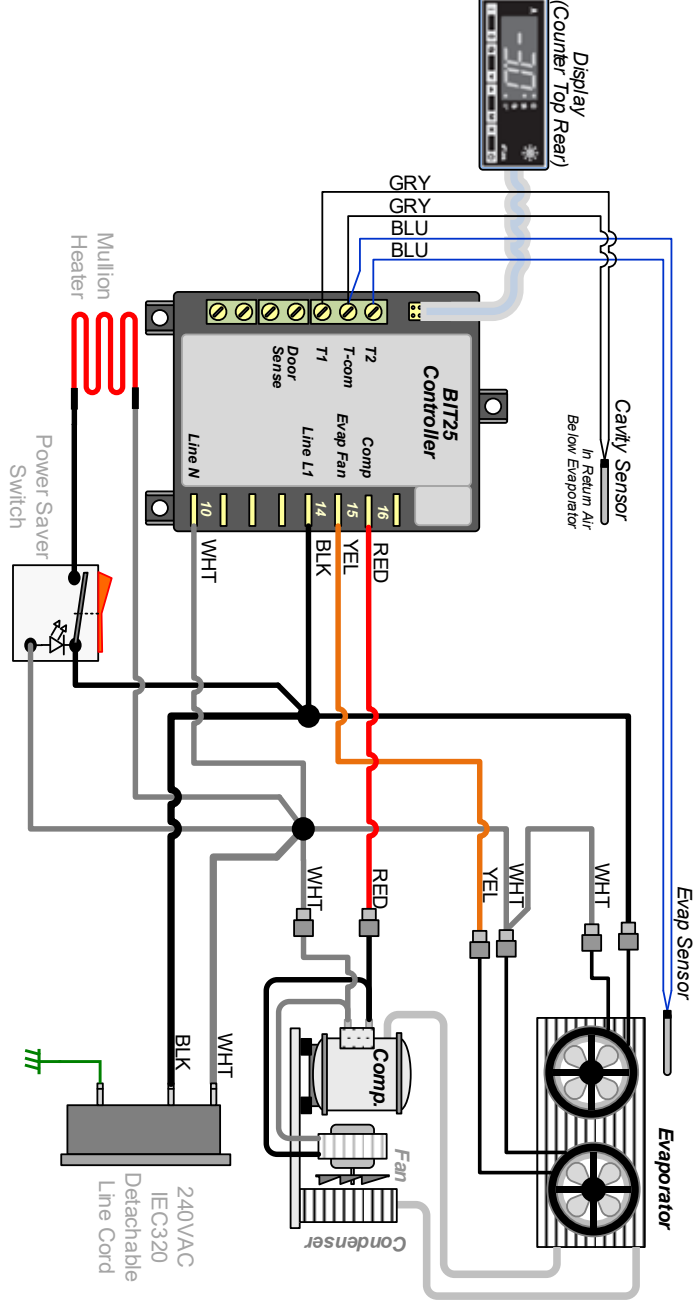




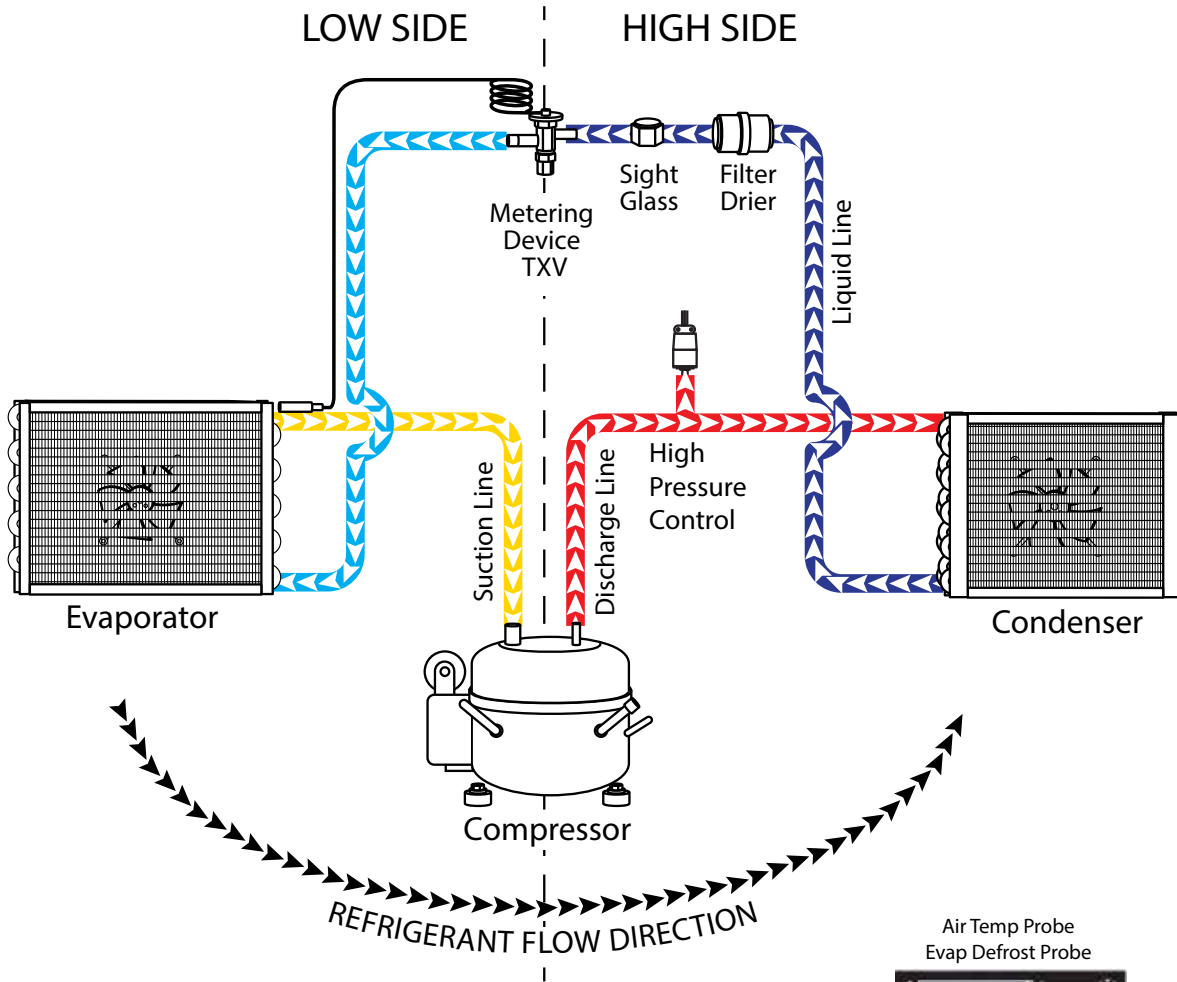
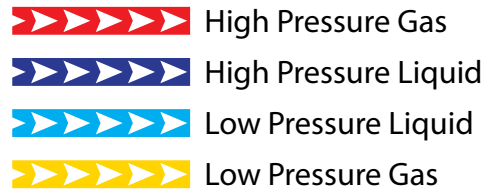
Wire Diagram: 240VAC, RUF48



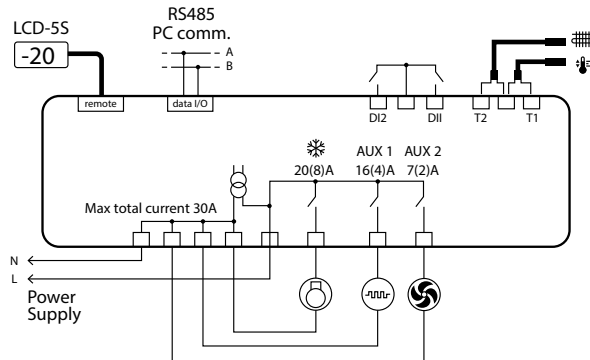
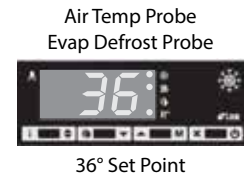
Wire Diagram: 240VAC, RBC60 & RBC48



RUF 48 REFRIGERATION SYSTEM



	RUF	
Refrigerant/Charge	513a / 14oz	134a / 14oz
Superheat	4-10°	8-12°
Sub Cooling	10-15°	5-10°
LRA	30.5	18
RLA	4.2	2.8
Oil Type	POE 7oz	POE 12oz
Condenser Fan	120vac .36a	220-240vac .18A
Evaporator Fan	120vac .1-.19a	220-240vac .16A
High Pressure Range @75°	130-150 psig	110-120 psig
Low Pressure Range @75°	18-30 psig	15-30 psig
High Pressure Cut-Out	440	N/A
High Pressure Cut-In	325	N/A



NOTES



Your Solutions Partner

Duke Manufacturing Co.

2305 N. Broadway • St. Louis, MO 63102

800-735-3853 • 314-231-1130

Fax: 314-231-5074

www.dukemfg.com