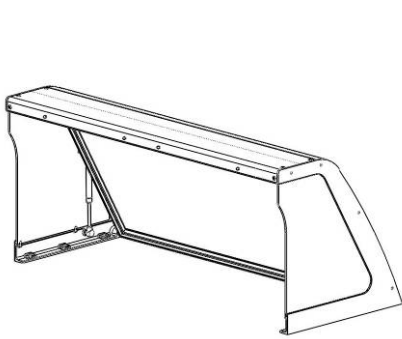
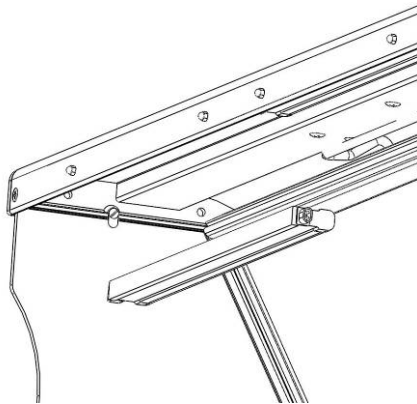


Instructions for Painted Aluminum day-cover.

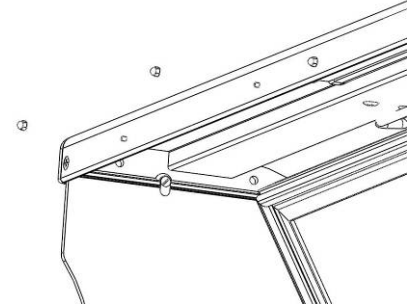
Tools Required: Philips Screwdriver
5/16" Wrench



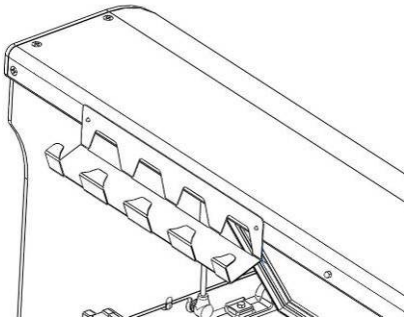
Day-Cover



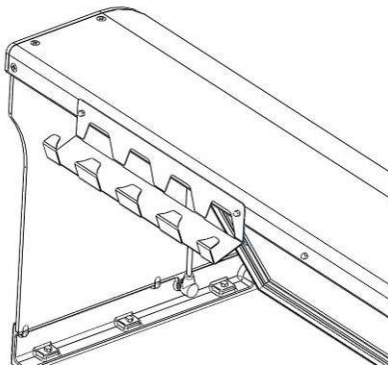
Step 1. Remove light fixture from clips, detach from adjacent light fixture.



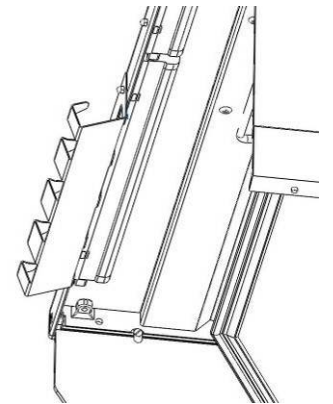
Step 2. Remove nuts and screws using a philips screwdriver and a 5/16" wrench. (retain nuts for later use)



Step 3. Attach Salt and Pepper Shaker Holder to shelf, positioning on longer screws provided.



Step 4. Re-attach and tighten nuts.

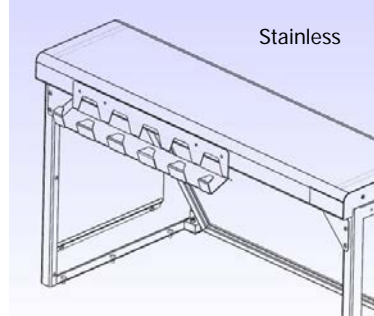


Step 5. Re-connect light fixture and clip in place.

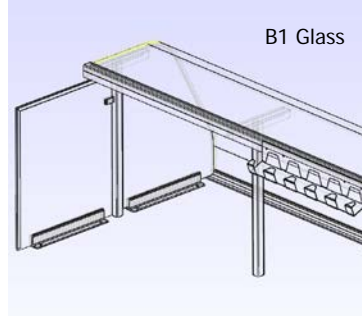
Instructions for Stainless, B1 and Curved Glass Day-Covers – (No tools required)



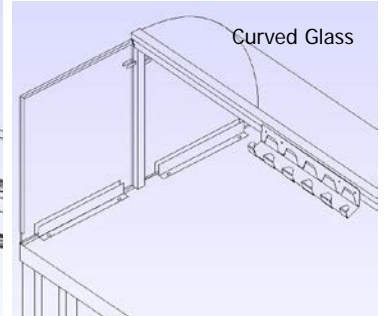
Step 1. Prepare mounting surface on Day-Cover by cleaning thoroughly with alcohol. Remove adhesive backing from double sided tape on the back of the Salt and pepper shaker holder.



Stainless



B1 Glass



Curved Glass

Step 2. Firmly press the holder at the desired location.