

INSTRUCTION SHEET

Solenoid Valve Replacement Instruction

Step 1 - Turn unit off with power switch on right side of unit. Turn off water.

Step 2 - Remove Proofer Back Panel.

Step 3 - Disconnect inlet and outlet water lines and wire terminal connections from solenoid.

Step 4 - Remove 2 each 10/24 screws from solenoid and bracket. Keep screws and discard solenoid and bracket.

Step 5 - Remove brass fittings and discard.

Step 6 - Install new solenoid valve assembly using 10/24 screws. Reconnect wire connections to solenoid.

Step 7 - Loop water line before attaching to brass fitting on Water Filter Panel.

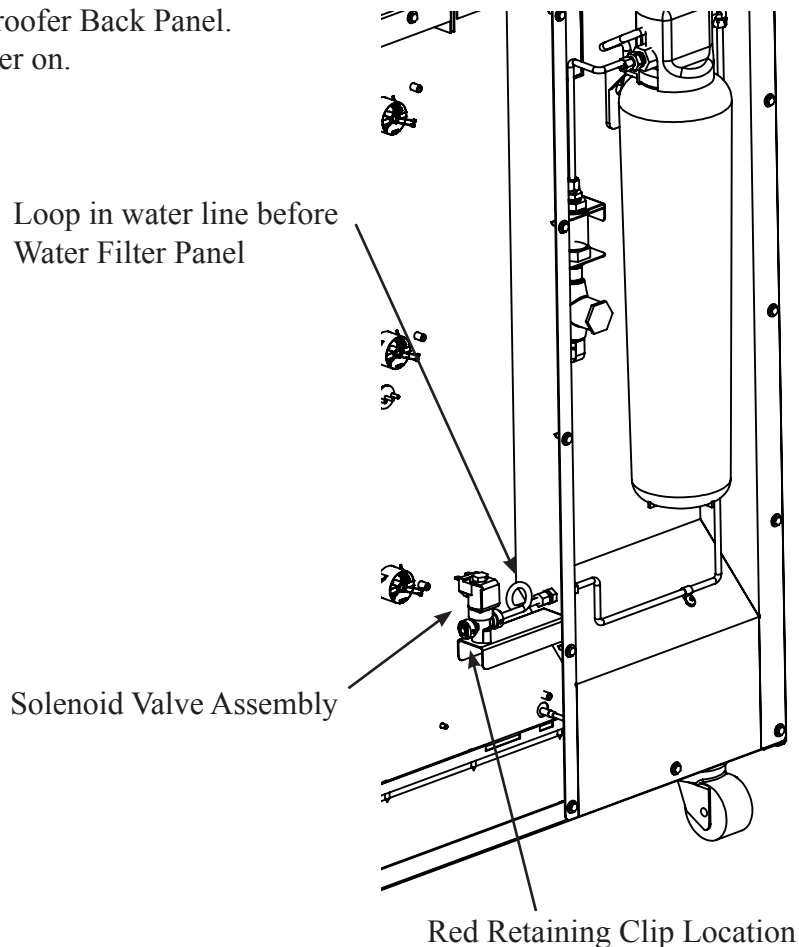
DO NOT SHORTEN HOSE

Step 8 - Reconnect water line from filter to brass fitting and from solenoid to nozzle. Install red retaining clip at solenoid valve outlet side.

Step 9 - Turn on water. Check for leaks.

Step 10 - Reinstall Proofer Back Panel.

Step 11 - Turn power on.



Your Solutions Partner

DUKE MANUFACTURING CO.
TOLL FREE 800-735-DUKE (3853)
314-231-1130

P/N 512353A