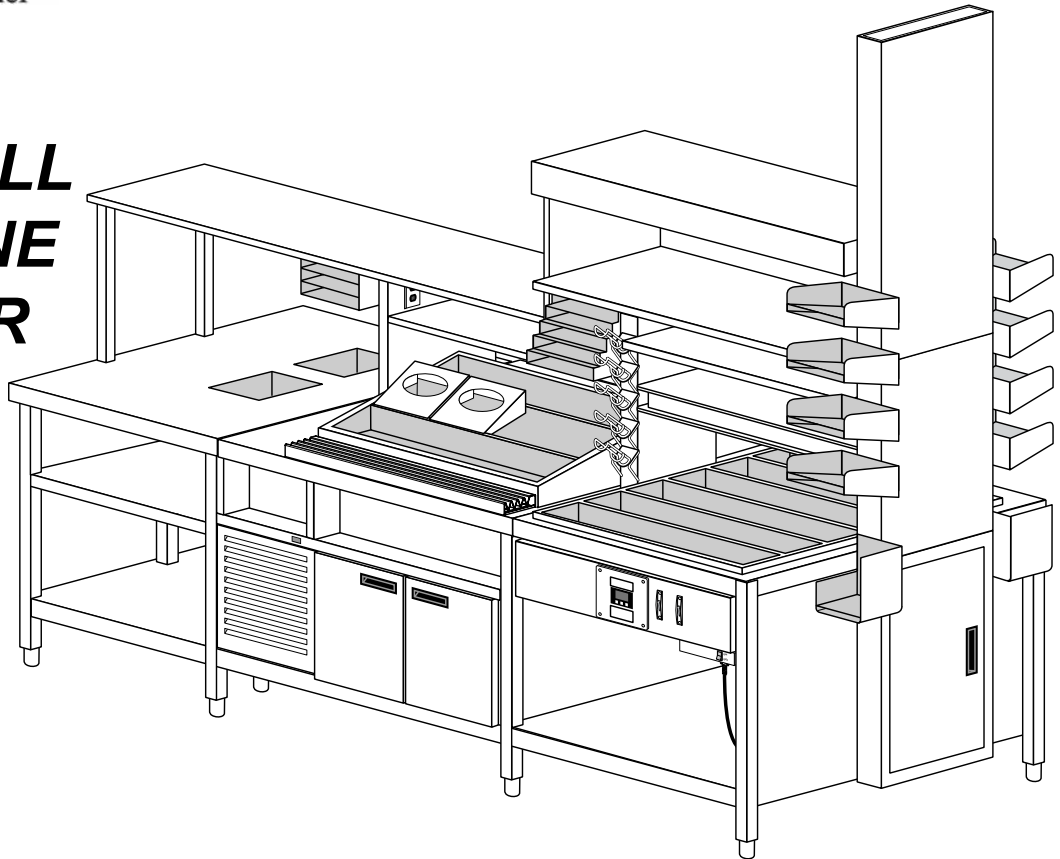




"Your Solutions Partner"

Illustrated Parts List

TACO BELL DUAL-LINE COUNTER



*This manual is Copyright © 2017 Duke Manufacturing Co. All rights reserved.
Reproduction without written permission is prohibited. Duke is a registered
trademark of the Duke Manufacturing Co.*

Duke Manufacturing Co.

2305 N. Broadway • St. Louis, MO 63102

800.735.3853 • 314.231.1130

Fax: 314-231-5074

www.dukemfg.com

TABLE OF CONTENTS

HOW TO DETERMINE MANUFACTURE DATE FROM DUKE EQUIPMENT SERIAL NUMBERS	3
TRI-CHANNEL COLD PAN	4
Table: PL-1 Tri-Channel Cold Pan	4
Figure: PL-1 Tri-Channel Cold Pan	5
REFRIGERATED BASE UNIT	6
Table: PL-2 Refrigerated Base Unit	6
Figure: PL-2 Refrigerated Base Unit	7
DRY CHANNEL WARMER	8
Table: PL-3 Dry Channel Warmer	8
Figure: PL-3 Dry Channel Warmer	9
DRY CHANNEL RELAY BOX ASSEMBLY	10
Table: PL-4 Dry Channel Relay Box Assembly	10
Figure: PL-4 Dry Channel Relay Box Assembly	11
DRY CHANNEL RELAY BOX ASSEMBLY REV 5.1	12
Table: PL-5 Dry Channel Relay Box Assembly Rev 5.1	12
Figure: PL-5 Dry Channel Relay Box Assembly Rev 5.1	13
DRY CHANNEL CONTROL BOARD	14
Figure: PL-6 Dry Channel Control Board	14

TRI-CHANNEL COLD PAN

ITEM	QTY.	PART NUMBER	DESCRIPTION
1	1	216380 216879	Condensing Unit, 120VAC, 60Hz, 1/3 HP Condensing Unit, 120VAC, 60Hz, 1/3 HP, TXV
2	1	217811	Motor, Electric Fan 120VAC
3	1	217810	Fan Bracket
4	1	217812	Fan Blade
5	1	212450	Tri-Channel Control, Temperature
	1	216837	TXV Thermostat, effective after 04/08
6	1	216600	Cap Tube .093OD X 0412ID (10')
7	1	212288	Switch, Tri-Channel Main Power
8	2	551072 550468	Rail Assembly, Taco – Before 05/07 Rail Assembly, Taco – After 05/07
9	1	553393	Assembly, Wrapper Bins
10	2	216986	Rack, Vertical Bottle
11	2	550093	Assembly, Louvered Panel
Not Shown	1	216386	Valve, AVX, I-Line
Not Shown	1	216414	Dryer, TXV
Not Shown	1	216864	TXV Valve. 54 PSI, Adjustable
Not Shown	A/R	214728	Taco Rail Pin
Not Shown	1	553085	Switch Mounting Plate, 9.5" x 9.5"
Not Shown	2	550964	J-Hook, Sanitizer
Not Shown	1	216702	AXV Valve, Dual Line
Not Shown	2	551075	Scrap Tray, Taco Assembly Rail

Table: PL-1 Tri-Channel Cold Pan

TRI-CHANNEL COLD PAN

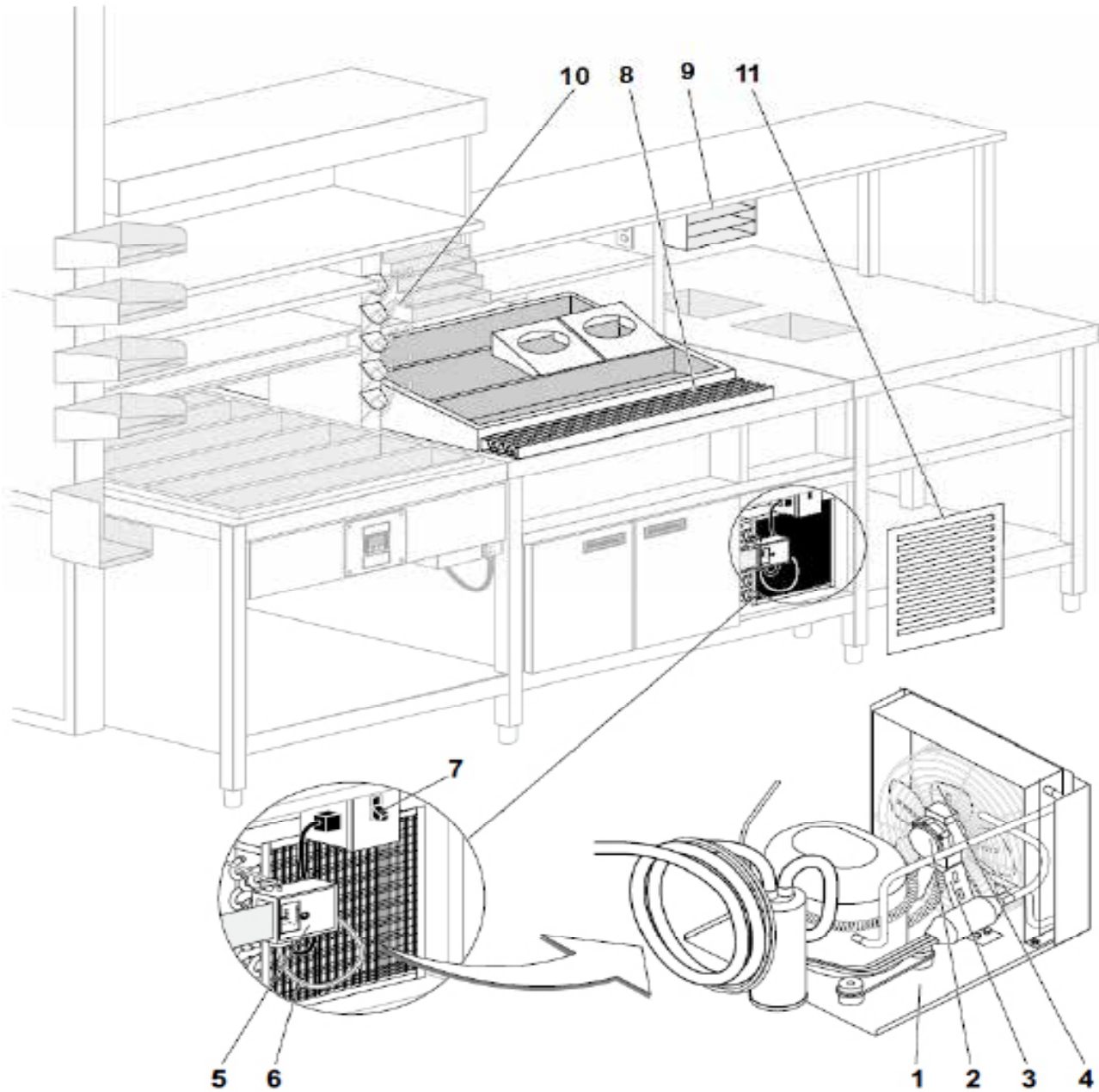


Figure: PL-1 Tri-Channel Cold Pan

REFRIGERATED BASE UNIT

ITEM	QTY.	PART NUMBER	DESCRIPTION
1	1	214947	Filter, 9.375x9.875x.3125
2	1	071136	Unit Cond. 1/5 HP R-134A 120V 60 Hz
3	1	COLD-KIT	Thermostat, Refrigerated Base Control
4	1	550326	Door, Insulated, 19" LT
		550328	Door, Insulated, 17" LT
5	1	550327	Door, Insulated, 19" RT
		550329	Door, Insulated, 17" RT
6	2	216645	Gasket, Door 17"
7	2	216636	Gasket, Door 19"
8	6	550081	Assembly, Shelf Pilaster
9	4	251420	Hinge, Base
10	6	214556	Leg, 6" Adj. mount plate
11	2	216737	Wire Rack, 19" Opening
12	2	216736	Wire Rack, 17" Opening
13	2	550313	Pilaster, Mount Filler
14	1	550087	Evaporator Cover
15	12	213091	Thumb Screws
16	16	212610	Shelf, Clip
17	1	216675	Temperature, Digital Display
Not Shown	16	212611	Support Pin

Table: PL-2 Refrigerated Base Unit

REFRIGERATED BASE UNIT

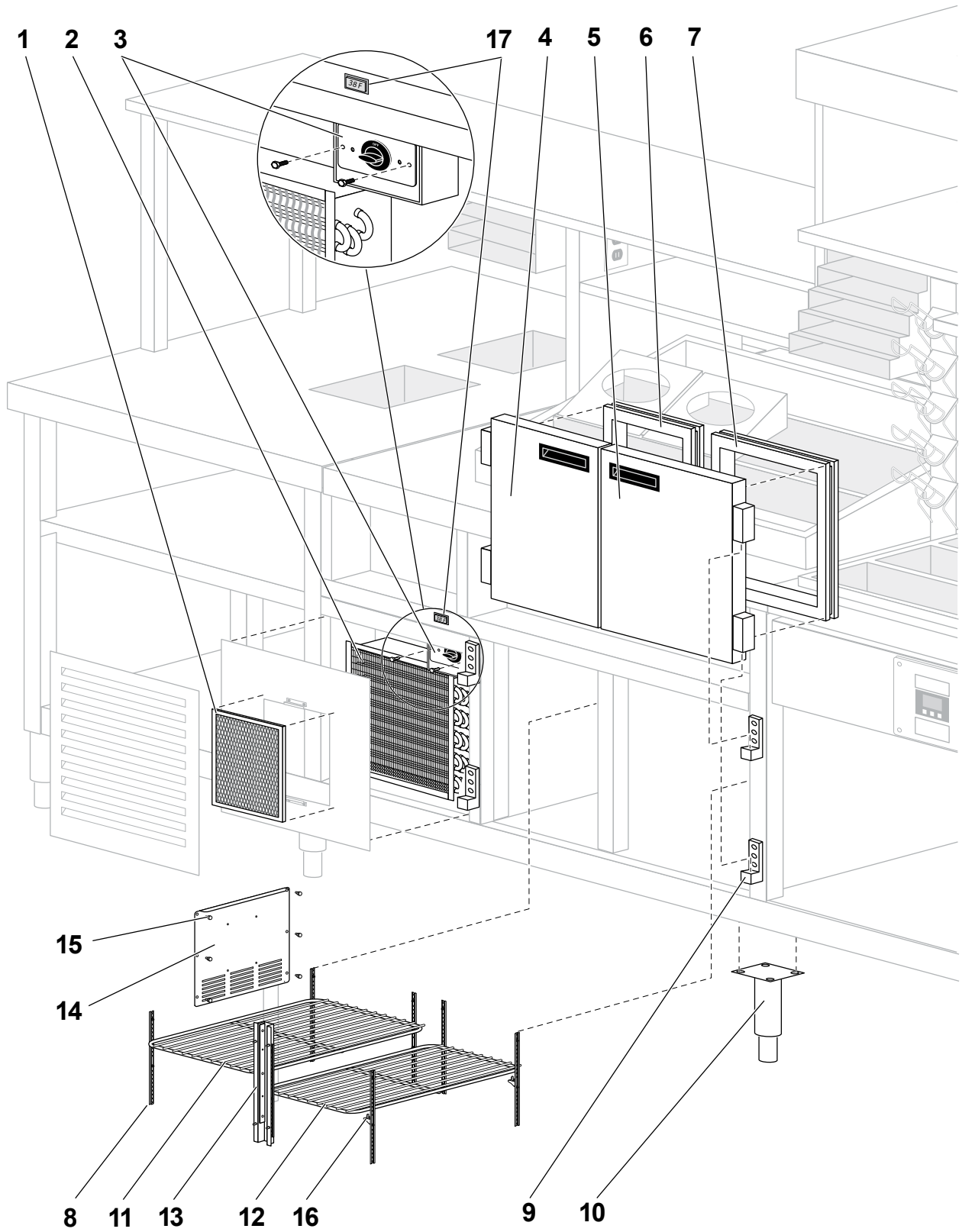


Figure: PL-2 Refrigerated Base Unit

DRY CHANNEL WARMER

ITEM	PART #	DESCRIPTION	HDC3	HDC4	HDC6
1	553415	Tub Assy, 3 Chnl, Single Zn, Dry Chnl	X		
1	553459	Tub Assy, 3 Chnl, Single Zn, Generic, Rev 5.1	X		
1	553262	Tub Assy, 4 Chnl, Dual Zn, Dry Chnl, Rev 5.1		X	
1	553263	Tub Assy, 6 Chnl, Dual Zn, Dry Chnl, Rev 5.1			X
1	553417	Tub Assy, 6 Chnl, Single Zn, Dry Chnl, Rev 6.1			X
1	553505	Tub Assy, 6 Chnl, Single Zn, Generic Dry Chnl			X
2	553411	Top, 3 Channel, Dry Channel	X		
2	553246	Top, 4 Channel, Dry Channel		X	
2	553412	Top, 6 Channel, Dry Channel			X
Not Shown	228930	Gasket, Dry Channel, 3 Channel	X		
Not Shown	228931	Gasket, Dry Channel, 6 Channel			X
3	553414	Center Chnl, Single Zn, 3/6 Dry Chnl, Rev 6.1	X		X
3	553458	Generic Chnl, Single Zn, 3/6 Dry Chnl, 5.1 & Generic	X		X
3	553284	Front Chnl, Dual Zn, 4 Chnl, Dry Chnl, Rev 5.1		X	
3	553291	Kit, Dual Zn, Center Channel Retrofit		X	
3	553268	Front Chnl, Dual Zone, 6 Dry Channel, Rev 5.1			X
3	553290	Kit, Dual Zn, Center Channel Retrofit			X
4	212792	Toggle Switch, 30 Amp, Red	X	X	X
5	553443	Relay Box, w/Switch, Dry Channel, Single Zn	X		
5	553484	Relay Box, No Switch , Dry Channel, Single Zn	X		
5	553289	Relay Box, w/Switch, Dry Channel, Rev 5.1		X	
5	553271	Relay Box, w/Switch, Dry Channel, Rev 5.1			X
5	553444	Relay Box, w/Switch, Dry Channel, Single Zn			X
Not Shown	553546	Kit, Element, 700 Watt, Single Zone	X		X
Not Shown	553535	Kit, Element, 850 Watt, Dual Zone		X	
Not Shown	553510	Kit, Element, 700 Wat, Dual Zone			X
Not Shown	553512	Kit, High Limit Replacement	X	X	X
Not Shown	553511	Kit, RTD Replacement	X	X	X
Not Shown	551148	Ground Bar	X	X	X
Not Shown	218985	cable, Grounding	X	X	X

Table: PL-3 Dry Channel Warmer

DRY CHANNEL WARMER

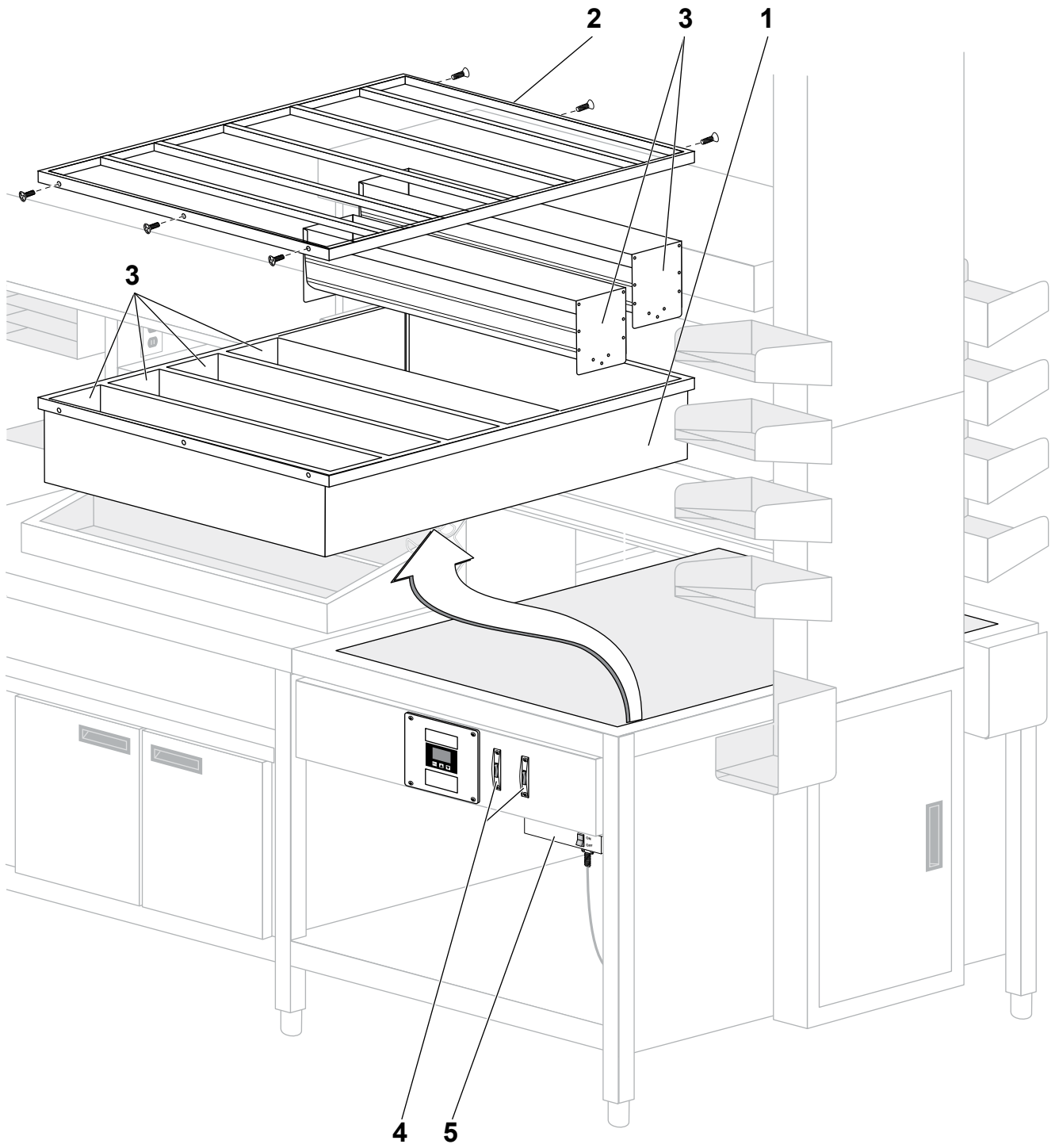


Figure: PL-3 Dry Channel Warmer

DRY CHANNEL RELAY BOX ASSEMBLY

ITEM	QTY.	PART NUMBER	DESCRIPTION
1	1	553075	Box, Relay with Switch
2	1	553154	Plate, Relay Mounting
3	6	218828	Relay, Mini No 20A-240V-24V
4	1	218817	Mylar, Relay Box
5	13	213032	Screw 8 X 1/2" TEK PHIL
6	1	553466	Switch, Lighted, DPST 16GA @ 125V
7	1	218829	Transformer, 208/240V Pri, 24V Sec
8	1	213403	Stud PEM 8-32 X 1/2" SS
9	1	147351	Nut Hex 8-32 HZ-T KEPS
10	1	171215	Cable, Assembly Power Supply
11	1	213216	Nutsert, 8-32
12	1	218805	Terminal Block
13	1	171171	Top, Relay Box
14	1	218819	Wiring Diagram
15	1	218820	Label, Relays
16	1	404886	8-32 X 1/2" RD HD PHIL SS
17	2	218830	Screw, Connector
18	1	218875	Harness, DSUB Relay
19	1	553202	Angle, Mounting Bracket, Left
20	1	553203	Angle, Mounting Bracket, Right
Not shown	1	218812	Harness, Terminal Block
Not Shown	1	553385	Kit, Dry Channel retrofit

Table: PL-4 Dry Channel Relay Box Assembly

DRY CHANNEL RELAY BOX ASSEMBLY

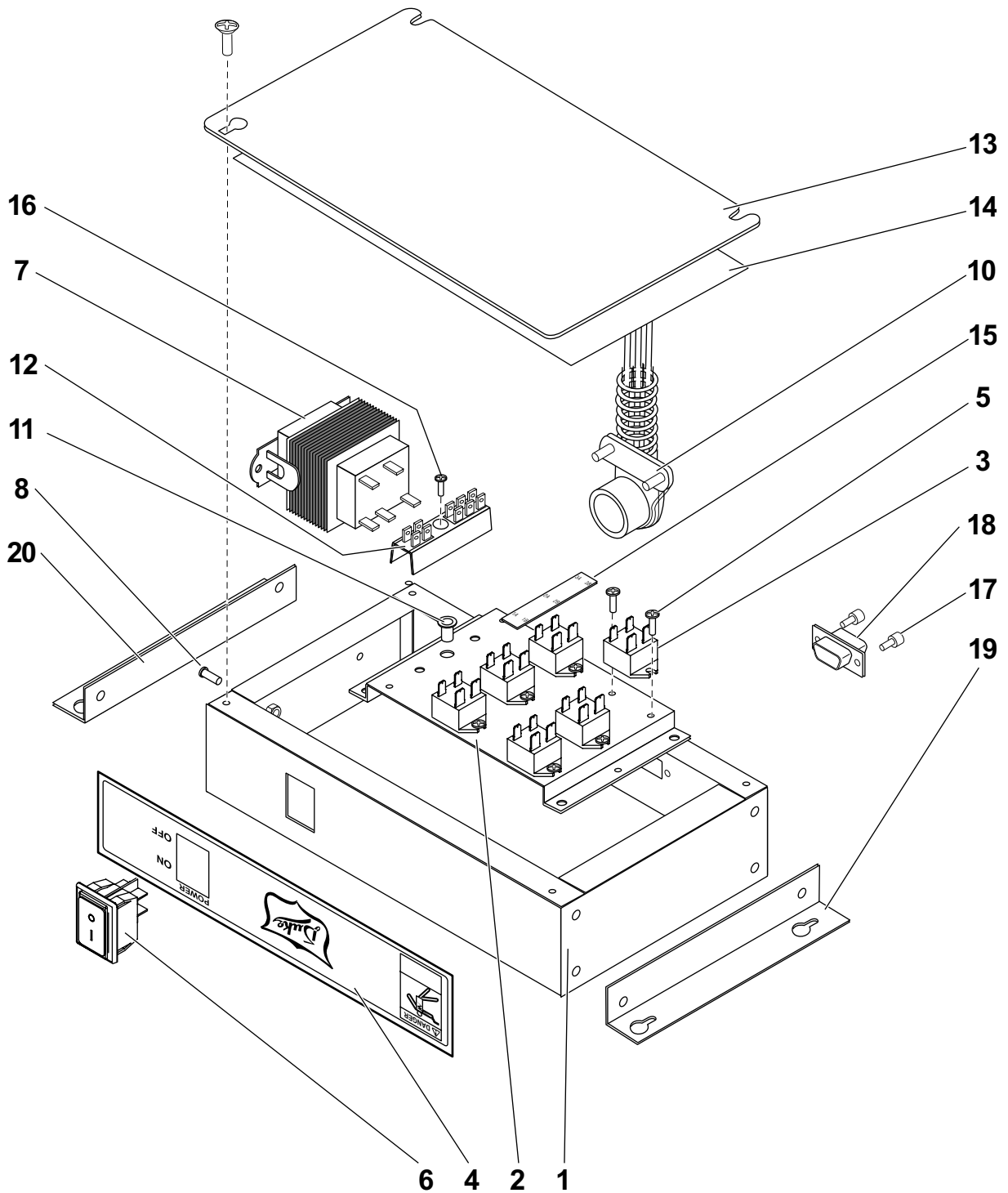


Figure: PL-4 Dry Channel Relay Box Assembly

DRY CHANNEL RELAY BOX ASSEMBLY REV 5.1

ITEM	QTY.	PART NUMBER	DESCRIPTION
1	1	553286	Box, Relay with Switch
2	1	553256	Plate, Relay Mounting
3	6	218828	Relay, Mini No 20A-240V-24V
4	1	218805	Terminal Block
5	1	218829	Transformer, 208/240V Pri, 24V Sec
6	1	553202	Angle, Mounting Bracket, Left
7	1	553203	Angle, Mounting Bracket, Right
8	1	213403	Stud PEM 8-32 X 1/2" SS
9	1	218902	Terminal Block
10	1	553257	Top, Relay Box
11	2	218904	Bushing, HEYCO 1217
12	1	218918	Harness, HD15 for RTD's Dry Channel Hardware
13	1	218917	Harness, DSUB9/Relays for Dry Channel Hardware
	1	228822	Harness, Relay 6 Channel Single Zone Unit
14	12	213166	Pop Rivit 5/32 X 1/8 SS
15	4	213196	Screw, 8-32 X 1/2" PAN PHIL
16	4	154458	Nut Hex 8-32 HZ-T KEPS
17	13	213032	Screw 8 X 1/2" TEK PHIL
18	2	213427	Screw 4-40 X 1/2" FPPH
19	1	218963	Switch, Toggle NKK 25 Amp
20	1	218965	Plate, ON – OFF 12MM
21	1	218946	Conduit, Assembly Power Supply Relay Box Hardwired
22	1	218819	Wiring Diagram
Not Shown	1	228883	Harness, Wire HDC Term. Block Hardware Single Zone

Table: PL-5 Dry Channel Relay Box Assembly Rev 5.1

DRY CHANNEL RELAY BOX ASSEMBLY REV 5.1

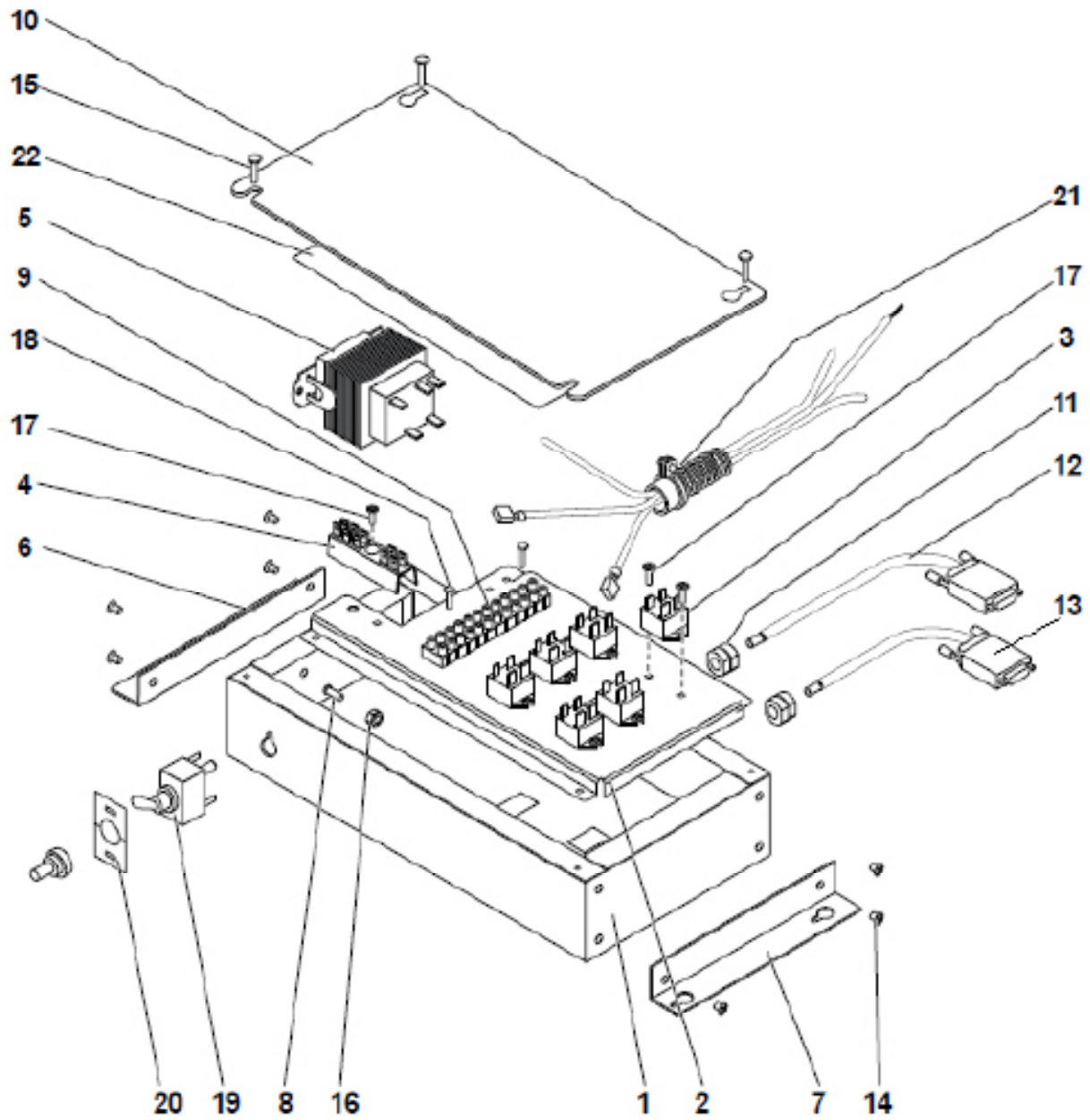


Figure: PL-5 Dry Channel Relay Box Assembly Rev 5.1

DRY CHANNEL CONTROL BOARD

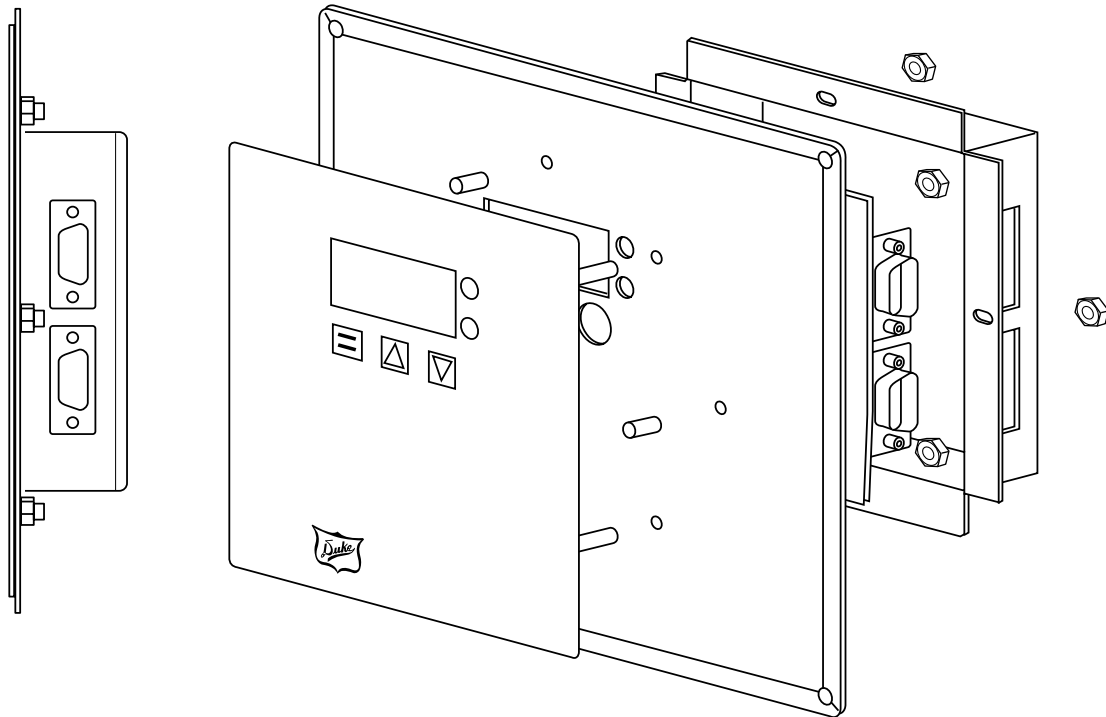


Figure: PL-6 Dry Channel Control Board

PART NO.	DESCRIPTION
553386	Kit, Dual Zone Control Board, Retrofit
228888	Control Board, Single Zone, 3 Channel
228881	Control Board, Single Zone, 6 Channel
553531	Kit, Mylar Replacement, Dual Zone Control Board
553532	Kit, Mylar Replacement, Single Zone Control Board, 3 Channel
553533	Kit, Mylar Replacement, Single Zone Control Board, 6 Channel



"Your Solutions Partner"

Duke Manufacturing Company

2305 N. Broadway • St. Louis, MO 63102

800.735.3853 • 314.231.1130

Fax: 314-231-5074

www.dukemfg.com