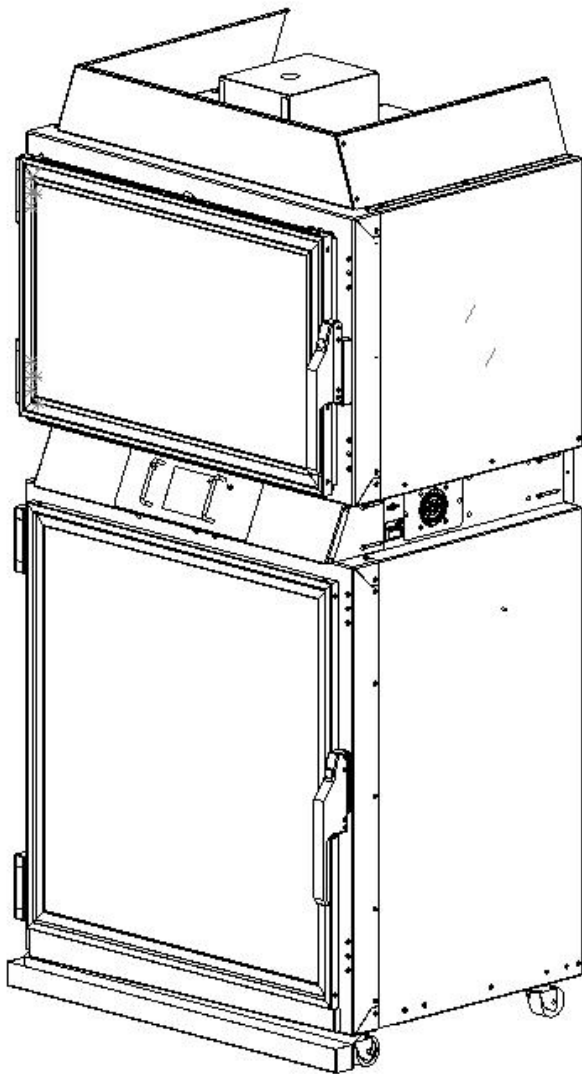




Your Solutions Partner

Removable Drain Pan for Bread Ovens

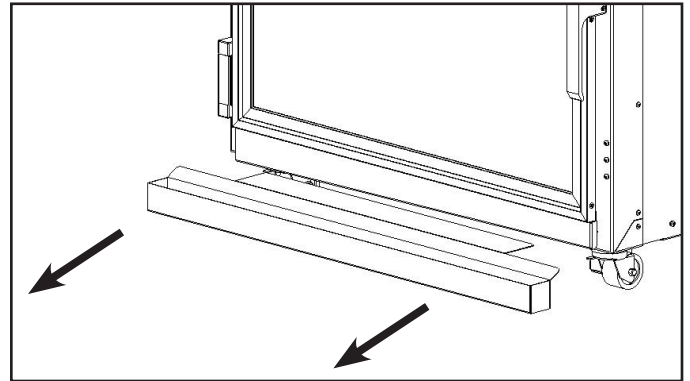


No tools required

Instruction Sheet

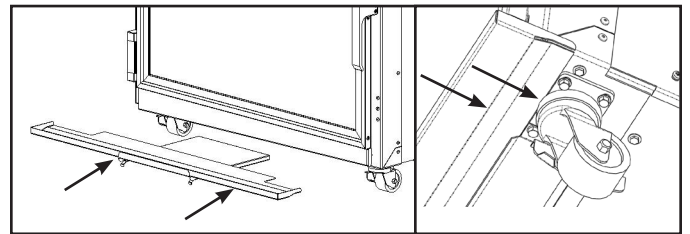
Step 1

Remove existing pan if older unit.
If new unit move to Step 2



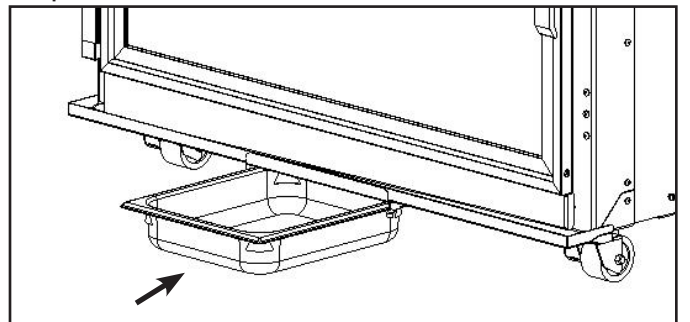
Step 2

Insert new Drip Pan. Ensure pan is centered so the ends wrap around the outside edges of the proofer face, and is pressed to a stop against the casters.



Step 3

Insert new Drain tray into the Drip Pan rail until it stops.



CAUTION: Please read these instructions completely before attempting to install, operate or service this equipment.

Duke Manufacturing Co.
2305 N. Broadway
St. Louis, MO 63102

*This manual is Copyright © 2019 Duke Manufacturing Co.
All rights reserved. Reproduction without written
permission is prohibited. Duke is a registered
trademark of the Duke Manufacturing Co.*

Phone: 314-231-1130
Toll Free: 1-800-735-3853
Fax: 314-231-5074
www.dukemfg.com

**P/N 229607
REV B 07/10/2019**