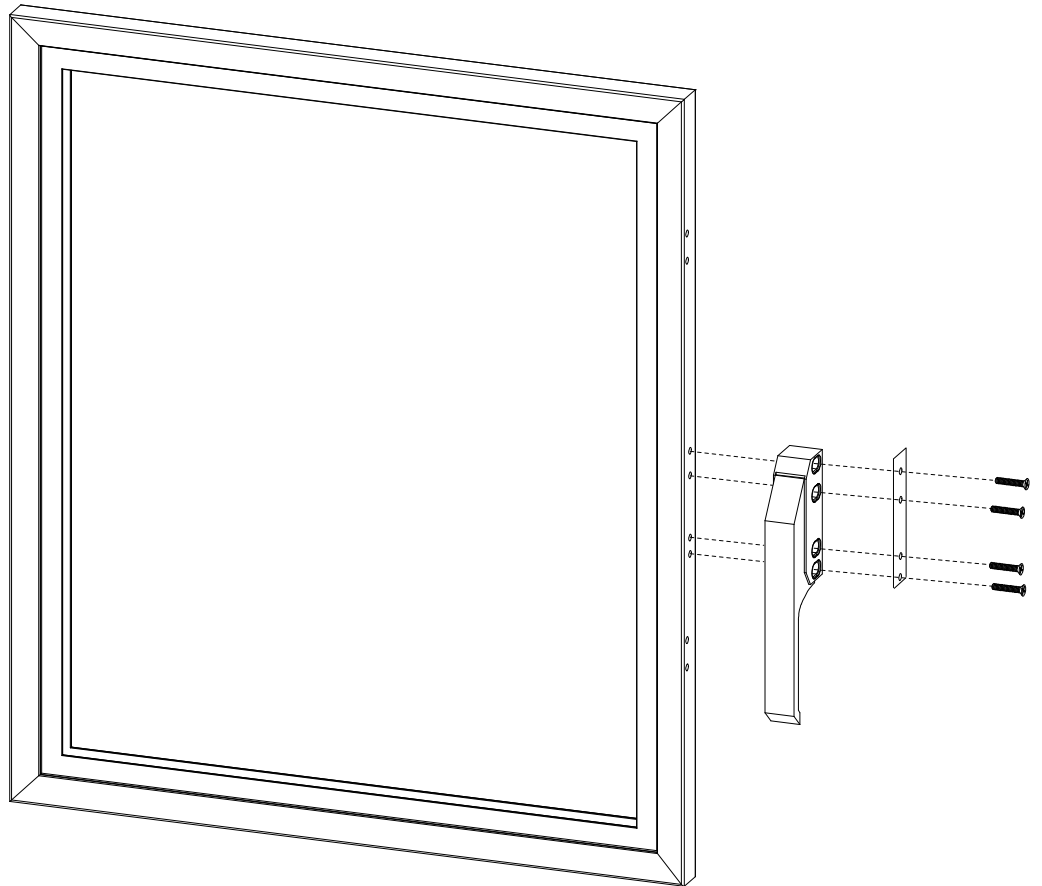




Your Solutions Partner

# Instruction Sheet

## Proofer and Oven Handle Replacement Kit # 229344



### Parts In Kit

512917 - 3ea. - SCREW, <b>10-24</b> X1-3/4OV SL SS W/NYLOK NYTEMP PATCH	502779 - 3 Ea. - SCREW, <b>12-24</b> X2"FL PH SS-NY PATCH HI TEMP
512920 - 4 Ea. - SCREW, <b>10-32</b> X1-3/4FL PH SS	502780 - 3 Ea. - WASHER,LOCK 1/4"CNSK SS E
154437 - 4 Ea. - WASHER, <b>10</b> COUNTERSUNK EXT	512905 - 1 Ea. - Door Handle and mounting plate

**CAUTION:** Please read these instructions completely before attempting to install, operate or service this equipment.

**WARNING:** Cancer and Reproductive Harm - [www.p65warnings.ca.gov](http://www.p65warnings.ca.gov)

*This manual is Copyright © 2019 Duke Manufacturing Co. All rights reserved. Reproduction without written permission is prohibited. Duke is a registered trademark of the Duke Manufacturing Co.*

**P/N 229344  
REV A 10/31/2019**

# INSTRUCTIONS

## CAUTION

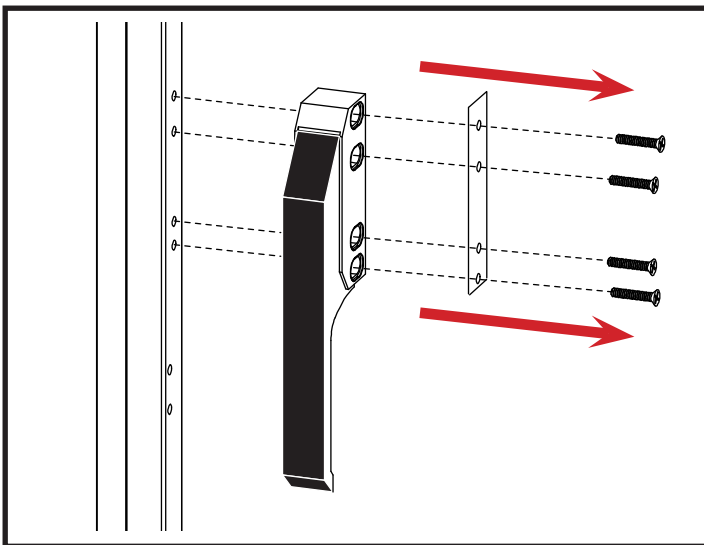
Kit contains three different size screws. Make sure you use the proper screws for your application.



**NOTE:** Depending on the model of your unit, your handle may have two (2), three (3) or four (4) screws holding the handle in place.

### Step 1

Using a Philips or Straight Blade screwdriver remove handle from door.



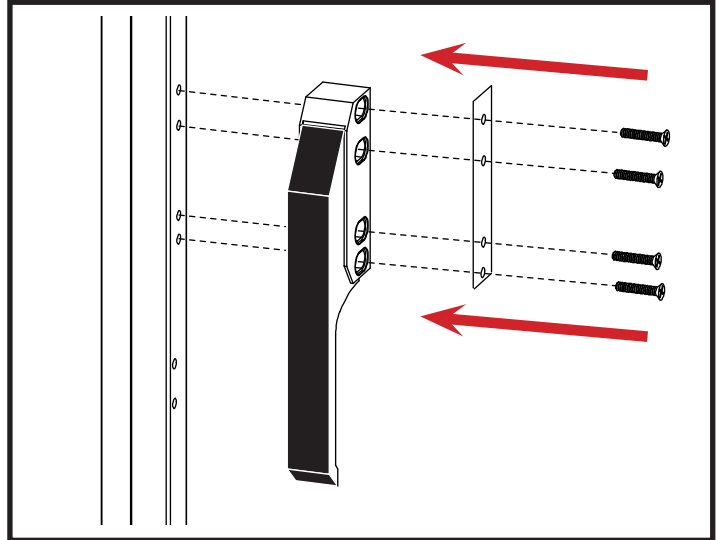
**NOTE:** If holes in door are damaged, P/N 600144 Door Handle Kit & P/N 502774 Drill Fixture will be required for repair.

### If Existing Door Had:

- 2 screws – Use 2 – P/N 512917 Screws & 2- P/N 154437 washers
- 3 screws (installed at factory) – Use 3 – P/N 512917 Screws & 3- P/N 154437 washers
- 3 screws (from door handle kit) - Use 3 – P/N 502779 Screws & 3- P/N 502780 washers
- 4 screws - Use 4 – P/N 512920 Screws & 4- P/N 154437 washers

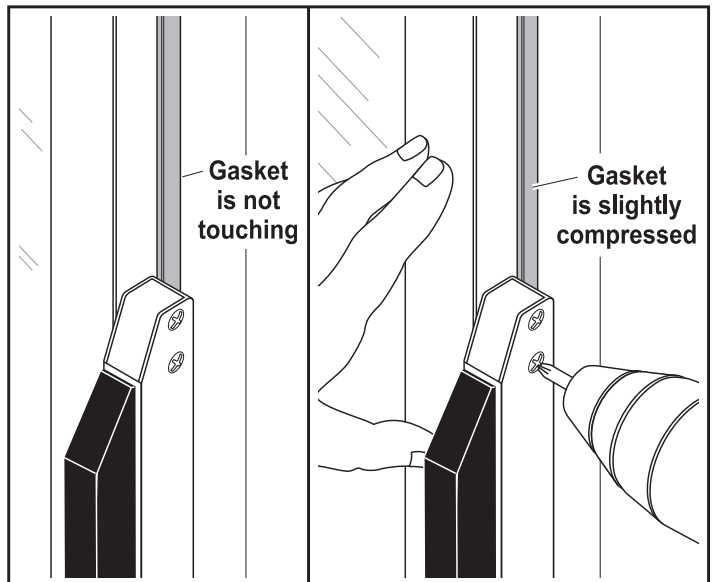
### Step 2

Using a Phillips or Straight Blade screwdriver replace handle on door with new screws.



### Step 3

Make sure your handle is adjusted properly. Make sure the door gasket is slightly compressed around the door.



**Duke Manufacturing Co.**  
2305 N. Broadway  
St. Louis, MO 63102

Phone: 314-231-1130  
Toll Free: 1-800-735-3853  
Fax: 314-231-5074

[www.dukemfg.com](http://www.dukemfg.com)