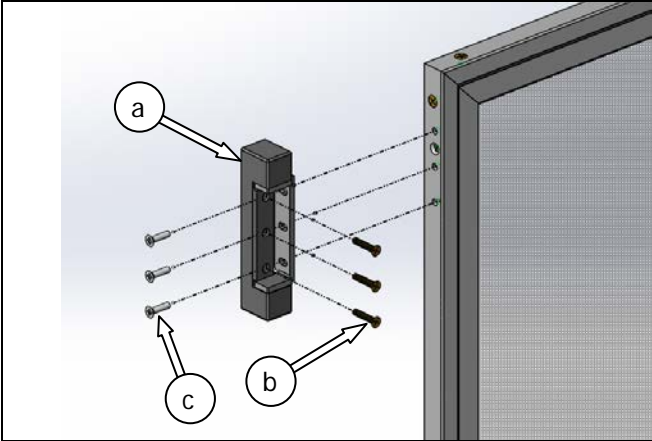


# TSC/TSC-M DOOR HINGE REPLACEMENT INSTRUCTIONS

This procedure will instruct how to remove and install hinges for Oven door and Proofer door

## Tools Required:

- Flat tip screwdriver (5/16") or a Cordless Drill (preferred) with flat screwdriver tip
- #2 Phillips screwdriver or a Cordless Drill (preferred) with Phillips screwdriver tip



## Parts required for Oven door:

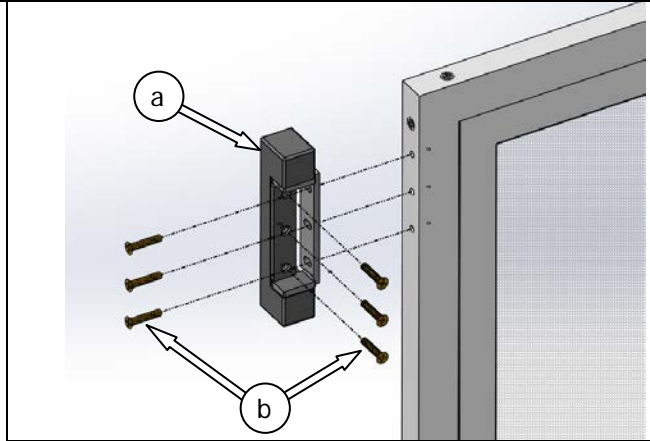
- a) Hinge (1)
- b) 1" screws (3)
- c) 5/8" screws (3)



1. Turn "OFF" the unit and allow it to cool. Then close the door so that the magnetic handle is holding the door closed.



3. Remove the 1" long screws which hold the hinges to the frame, and carefully remove the old door.

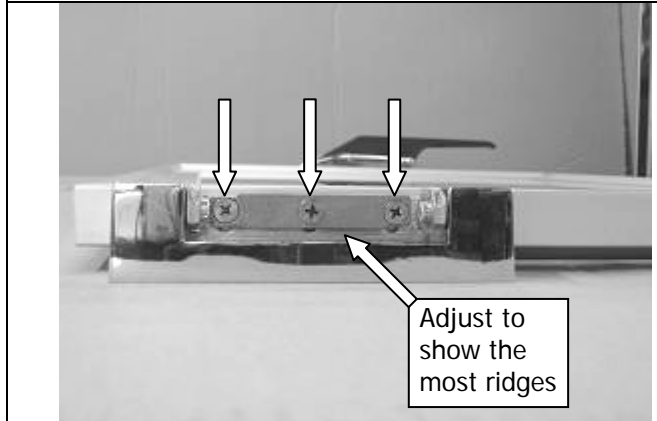


## Parts required for Proofer door:

- a) Hinge (1)
- b) 1" screws (6)

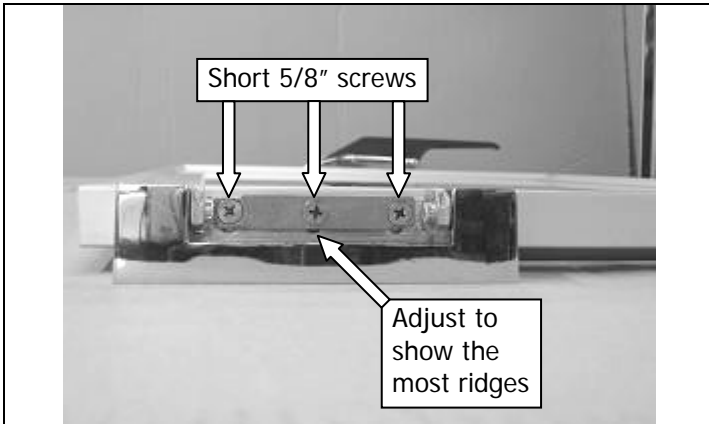


2. Remove hinge covers with a screwdriver by gently pushing them out of the hinge side as shown.

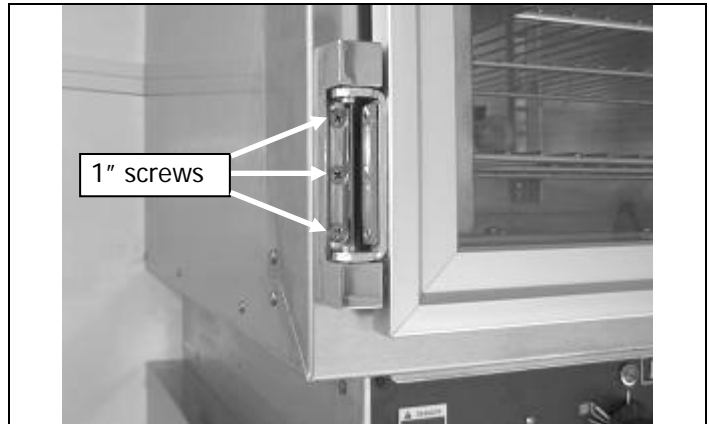


4. Remove the screws which hold the hinges to the door. Remove the hinge.

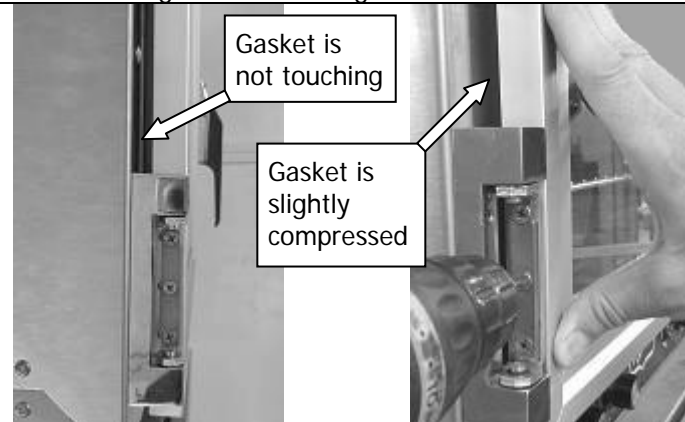
## TSC/TSC-M DOOR HINGE REPLACEMENT INSTRUCTIONS



5. **Oven door:** Mount the hinges to the door with the new short 5/8" screws. Adjust the hinge as far as possible towards the gasket. Do not tighten the screws. **Note:** Long 1" screws will damage the inner door. **Proofer door:** Mount the hinges to the door with the new 1" screws. Adjust the hinge as far as possible towards the gasket. Do not tighten the screws.



6. Mount the new door assembly to the oven face using 1" long screws provided. Engage the magnetic handle to the strikeplate to help hold the door in place. Then tighten the screws to secure the door on the frame.



7. Adjust the door position by moving the door frame to seal any gap between the gasket and the oven front near the hinges. Then tighten the hinge screws. Be careful not to compress the gasket too much, or it will cause the door to bind near the hinges.



8. To check the gasket compression, close the door with a dollar bill between the gasket and the front of the oven. You should feel resistance when you try to pull the dollar bill out with the door closed.



9. Replace Hinge Covers.