



Your Solutions Partner

INSTRUCTIONS

TSC PROOFER OVEN USB MAINTENANCE AND OPERATIONS SCREENS LOAD/UPDATE INSTRUCTIONS

*This manual is Copyright © 2011 Duke Manufacturing Co. All rights reserved.
Reproduction without written permission is prohibited. Duke is a registered
trademark of the Duke Manufacturing Co.*

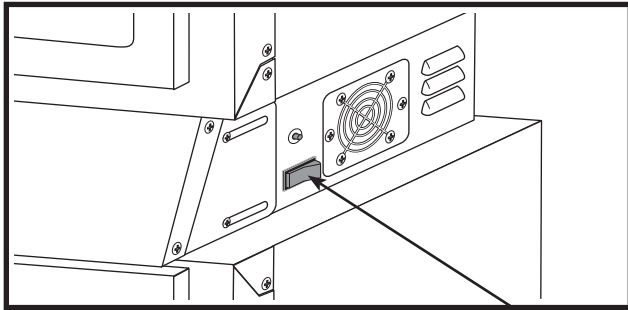
Duke Manufacturing Co.

**2305 N. Broadway
St. Louis, MO 63102
Phone: 314-231-1130
Toll Free: 1-800-735-3853
Fax: 314-231-5074**

www.dukemfg.com

Maintenance and operations screens load/update should take under 20 minutes to complete.

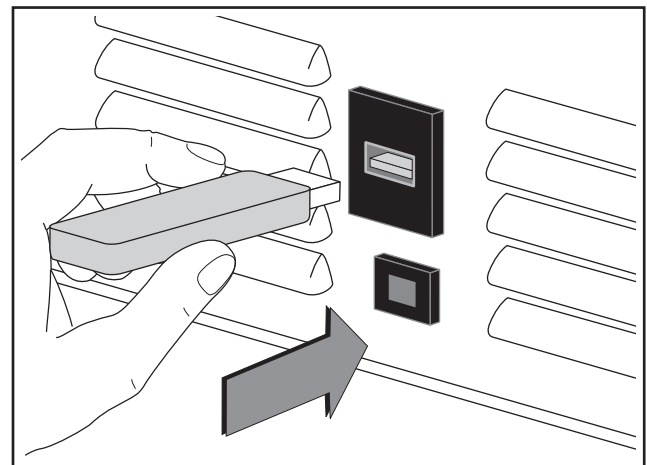
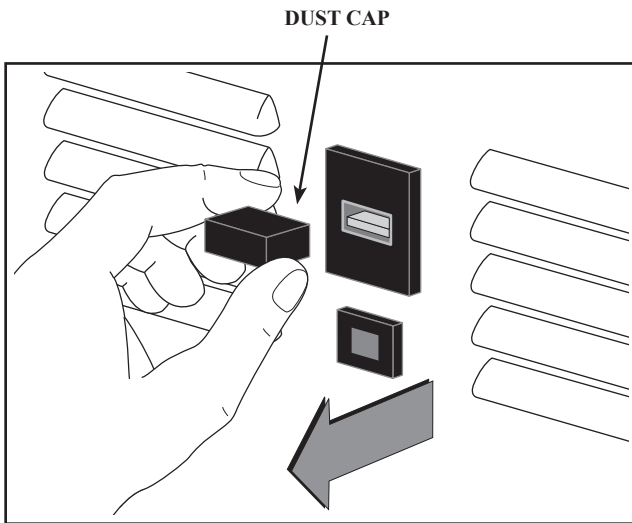
- 1) Turn the main power switch off then back on. Unit will beep three times and display the start screen.



CIRCUIT BREAKER
(POWER SWITCH)



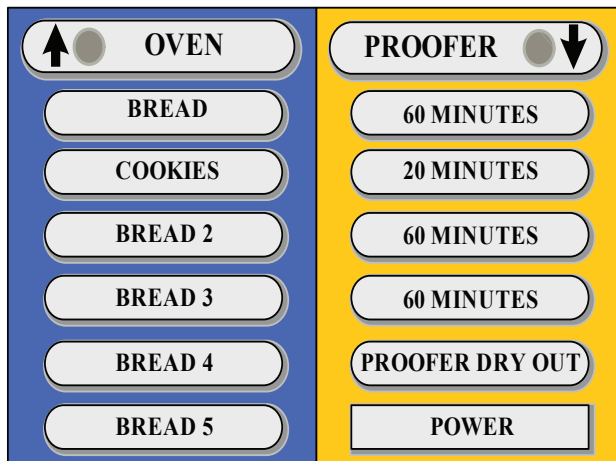
- 2) Remove USB dust cap.
- 3) Load all desired files onto the same USB drive. (filename.scr) Insert USB drive with the desired files. The green LED will flash indicating loading process.



- 4) The new files will load and the screen will display the load status in blue text. The load time depends on the number and size of the files but may take several minutes to complete.

USB Download Started
1 Download File(s) Found
Processing DAILY_~1.SCR

- 5) When Complete, the unit beeps once and reverts to the Oven/Proofer Main Menu screen.



- 6) The new files can now be viewed by accessing the Maintenance Screen and selecting the desired Maintenance Function Keys



- 7) Remove the USB drive and replace Dust Cap.
8) Unit is ready for use.



Your Solutions Partner

Duke Manufacturing Co.

Duke Corporate, Canada, Latin America
2305 N. Broadway
St. Louis, MO 63102
Phone: 314-231-1130
Toll Free: 800-735-3853
Fax: 314-231-5074
www.dukemfg.com

Duke EMEA - Europe, Middle East, Africa, Russia
Duke Manufacturing CR, s.r.o.
Zdebradska 92
Jazlovice, Ricany
Building number DC 4 on the
ProLogis Park Prague D1 West
Prague 251 01
Czech Republic
Phone: +420 257 741 033
Fax: +420 257 741 039

Duke EMEA – UK, Ireland, Nordic Countries
Duke Manufacturing UK Ltd.
Unit 10, Greendale Business Park
Woodbury Salterton
Exeter, EX5 1EW
Phone: +44 (0) 1395 234140
Fax: +44 (0) 1395 234154

Duke Asia Pacific
Duke Manufacturing
No.3 Building
Lane 28, Yu Lv Road
Malu Town, Jiading District
Shanghai 201801, China
Phone: +86 21 59153525 / 59153526
Fax: +86 21 33600628