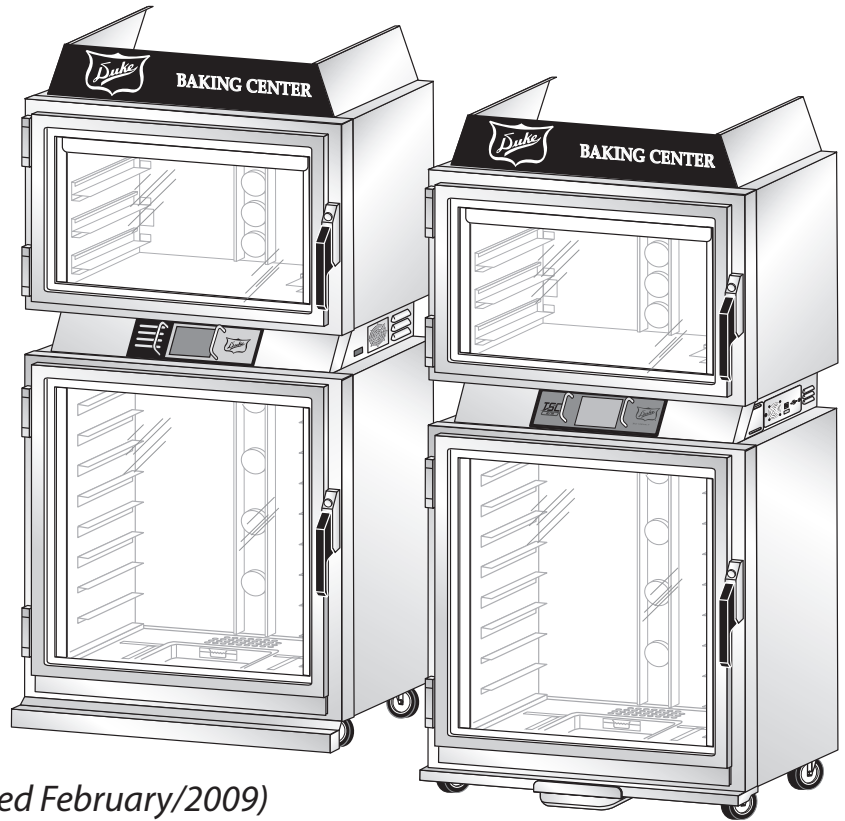




Your Solutions Partner

Illustrated Parts List



TSC, TSC-M, PBC-M AND TSC3 MODELS:

TSC-6/18	TSC-3/9	<i>(Introduced February/2009)</i>
TSC-6/18M	TSC-3/9M	<i>(Introduced January/2013)</i>
PBC-6/18M		<i>(Introduced June/2019)</i>
TSC3-6/18		<i>(Introduced January/2022)</i>

*This manual is Copyright © 2023 Duke Manufacturing Co. All rights reserved.
Reproduction without written permission is prohibited. Duke is a registered
trademark of the Duke Manufacturing Co..*

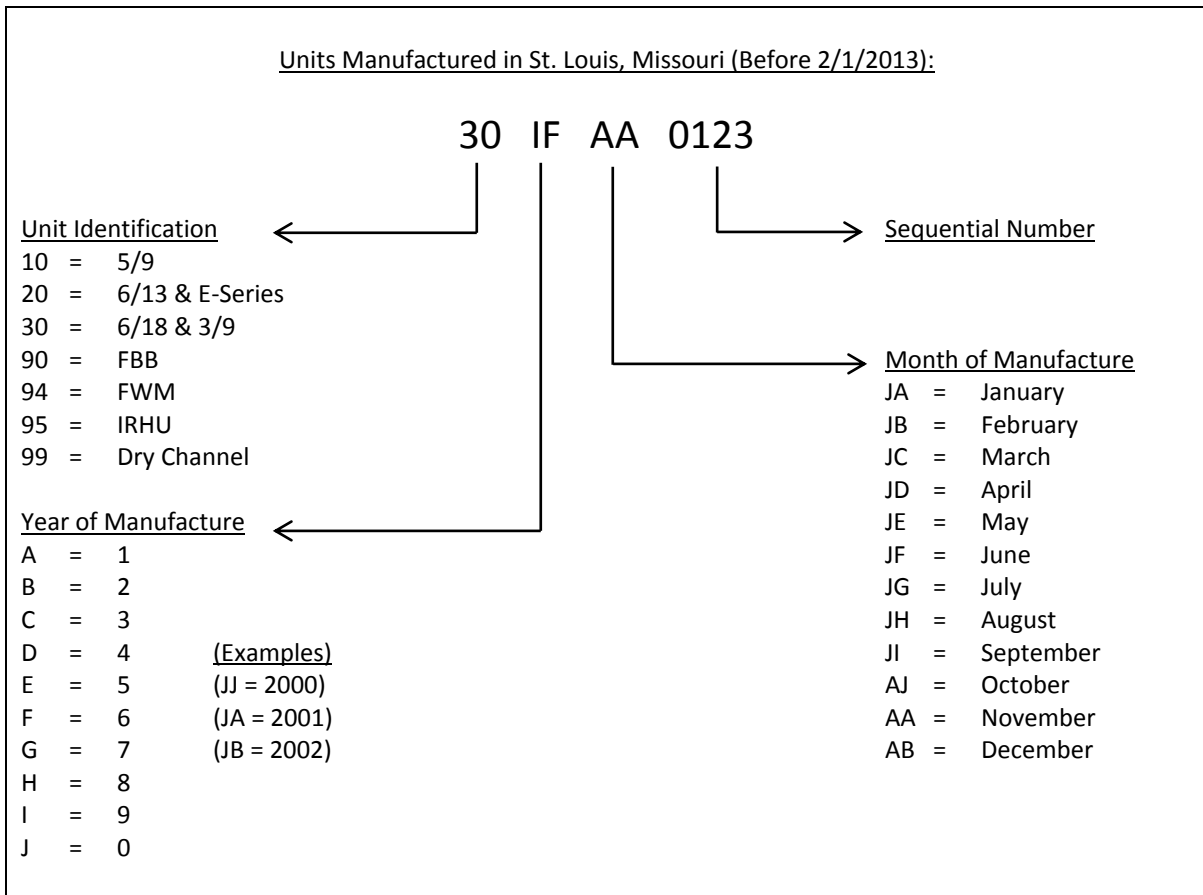
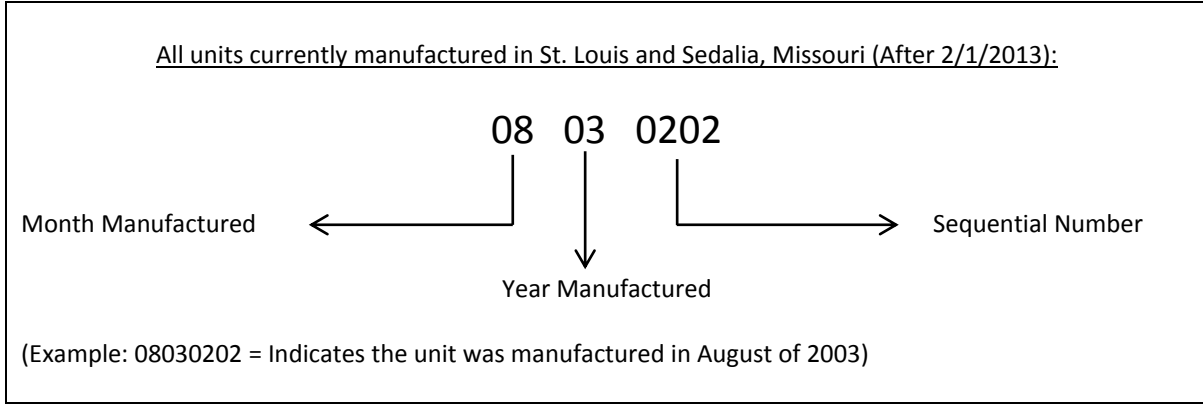
Duke Manufacturing Co.

**2305 N. Broadway
St. Louis, MO 63102
Phone: 314-231-1130
Toll Free: 1-800-735-3853
Fax: 314-231-5074
www.dukemfg.com**

TABLE OF CONTENTS

HOW TO DETERMINEMANUFACTURE DATE FROM DUKE EQUIPMENT SERIAL NUMBERS	3
TSC-6/18 & TSC-3/9 CABINET COMPONENTS.....	4
Table: PL-1 TSC Cabinet Components	4
Figure: PL-1 TSC Cabinet Components	5
TSC CONTROL PANEL.....	6
Table: PL-2 TSC Control Panel	6
Figure: PL-2 TSC Control Panel	7
CONTROLS RETROFIT TSC TO TSC-M OVENS	8
Table: PL-3 Control Retrofit TSC to TSC-M Ovens	8
Figure: PL-3 Control Retrofit TSC to TSC-M	9
AIR WASH OVEN DOOR	10
Table: PL-4 Air Wash Oven Door	10
Figure: PL-4 Air Wash Oven Door	11
TSC-M & PBC-M CABINET COMPONENTS.....	12
Table: PL-5 TSC-M & PBC-M Cabinet Components	12
Figure: PL-5 TSC-M & PBC-M Cabinet Components	13
TSC-M & PBC-M CONTROL PANEL COMPONENTS	14
Table: PL-6 TSC-M & PBC-M Control Panel.....	14
Figure: PL-6 TSC-M & PBC-M Control Panel	15-23
502933KIT - ASSEMBLY FACADE TSC OVEN, DOMESTIC	24
2505257KIT - ASSEMBLY FACADE TSC OVEN, CE	25
WIRE DIAGRAM	26-33

How to Determine Manufacture Date from Duke Equipment Serial Numbers



TSC-6/18 & TSC-3/9 CABINET COMPONENTS

Item	Part #	Qty.	Description	
1	512835	2	Caster, Swivel W/Brake, 2½"	
2	512836	2	Caster, Swivel, 2½"	
3	600374	1	Kit, Drip Pan - TSCM Oven	
4, 5 & 6	156008	1	Kit, Drip Channel Assembly – Left Hinged Door	
	156009	1	Kit, Drip Channel Assembly – Right Hinged Door	
7	512562	1	Proofer Bottom Access Panel	
8	600413	4	Kit, Hinge, Door, TSC & TSCM Ovens	
Not Shown	512021	A/R	Cover, Kason Hinge	
Not Shown	600179	A/R	Kit, Nutsert Installation Tool with Nutserts	
9	512905KIT	2	Kit, Handle and Latch Assembly, Oven & Proofer	
Not Shown	512920	4	Door Handle Screw, 10-32 x 1-3/4"	
10	600383	1	Kit, TSC Proofer Door Replacement	
11	502861	1	Gasket, Proofer Door	
Not Shown	600146	1	Kit, Proofer Door Assy-Left Hinged (Packaged)	
Not Shown	600147	1	Kit, Proofer Door Assy-Right Hinged (Packaged)	
12	600164	1	Kit, Air Wash Door Replacement w/o Hinges & Handle	
Not Shown	600162	1	Kit, Replacement, Air Wash Oven Door, Left Hinged	
Not Shown	600163	1	Kit, Replacement, Air Wash Oven Door, Right Hinged	
13	502869	1	Gasket, Oven Door	
14	512745	1	Cover, Motor Top	
15	502744	2	Guard, Oven Light	
16	502745	2	Guard, Proofer Light	
17	512777	1	RTD Thermostat, Oven & Proofer	
18	512759	2	Element, Proofer 500W, 208VAC, 60Hz	
	512791	2	Element, Proofer 500W, 230VAC, 50Hz	
Not Shown	522100	1	Kit, Proofer Element Retention Bracket	
19	154373	2	Element, Oven 2500W, 208VAC, 60Hz	
	502831	2	Element, Oven 2500W, 230VAC, 50Hz	
20	512594	1	Proofer Motor Assembly with Blower Wheel	
21	600414	5	Kit, Halogen Lamp, TSC & TSC-M Ovens	
22	502794	5	Lens, Light Glass	
23	502795	5	Gasket, Lens Glass Oven/Proofer	
24	512495	5	Bulb, Halogen 10W, 12VAC	
25	600269	1	Kit, 208/230VAC Blower Motor Replacement	
Not Shown	502943	1	Capacitor, Oven Blower Motor	*Ovens Manufactured
26	502338	1	Fan Blade, Oven Motor, Heat Slinger	Prior to 2/21/12 -
27	512523	1	Motor Mounting Bracket, Ovens	Parts 512772 Humidity
28	154039	1	Blower Wheel, Oven	Sensor & 512780 PCB
29	600184	1	Kit, Retrofit Door Switch	have been replaced by
30	154547	12	Rack, Wire Proofer & Oven	512298. Kit number
31	512284	1	Head Assembly, Water Filter	600289 (Item 38,
Not Shown	512536	1	Inlet Port Adapter Fitting	Not Shown) contains
				the components and
				instructions required to
				upgrade to the 512298
				assembly.

Table: PL-1 TSC Cabinet Components

TSC-6/18 & TSC-3/9 CABINET COMPONENTS

Not Shown	512593	1	Outlet Port Adapter Fitting
32	512570	1	Water Filter Only
33	512592	1	Strainer Assembly, Threaded Bronze
34	512537	1	Valve, Backflow Dual Check
35	512595	1	Assembly, Adapter Nozzle
36	600185	1	Kit, Quick Disconnect Nozzle (<i>includes 512546, 338475 & 512595</i>)
37	512546	1	Coupling, Insert 1/8 BSPT
38	600292	1	Kit, Humidity Sensor (512298)

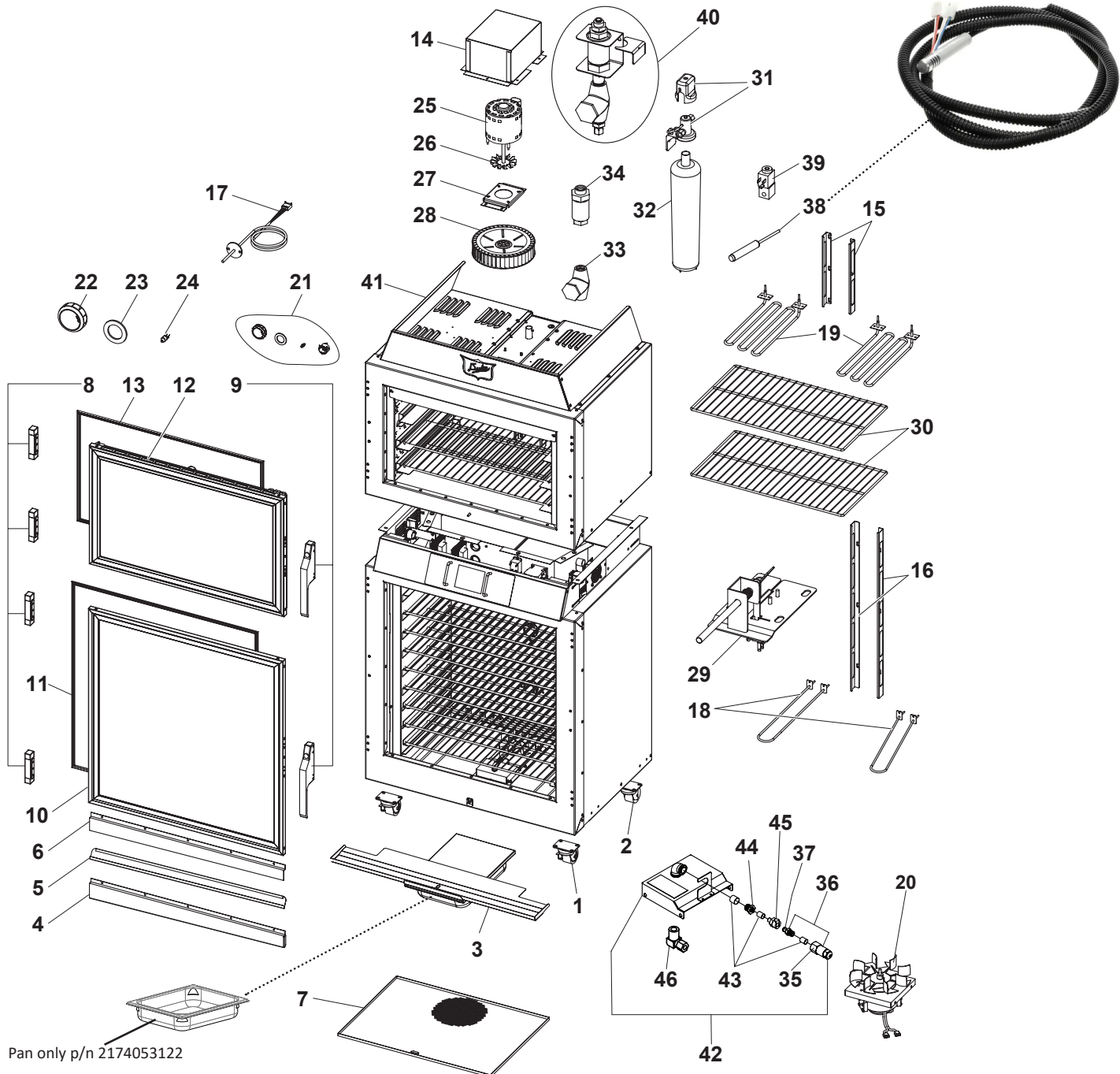


Figure: PL-1 TSC Cabinet Components

TSC CONTROL PANEL

Item	Part #	Qty.	Description
42	512771	1	USB Port
43	512568KIT	1	Kit, Buzzer, Mounting Angle
44	502937	2	Transformer 230VAC
	502840	2	Transformer 208VAC
45	512980	1	Controls Retrofit TSC to TSC3 Ovens <i>(Replaces 600183, See the Following Pages for Additional Details)</i>
	Service replacement for Control Module is 512106, once the unit has been retrofit with 512980		
46	512547	2	Handle, Guard Control
	120026	2	Handle, Guard Control (After 512980 Retrofit)
47	512767	1	Overlay, Touch Screen
	120061	1	Overlay, Touch Screen (After 512980 Retrofit)
48	512781	1	Oven Motor Relay 230VAC
49	222790	1	Contactora, 240V, 50/60Hz
50	512765	1	Thermostat, Hi Limit
51	512770	1	Breaker, Switch 10A
52	159092	1	Fan, Muffin 29CFM, 230 VAC, 50/60 HZ
	512956	1	Guard, Fan
	10223500	4	Nut, #8-32 S/S
	213359	4	Screw, #8-32 x 1/2" TR PH S/S
Not Shown	512880	1	Breaker, Circuit 3 Amp for Proofer Lights Transformer
Not Shown	512763	1	Harness, Oven TSC
Not Shown	512764	1	Harness, Proofer TSC
Not Shown	512786	1	Harness, TSC Oven AC
Not Shown	512787	1	Harness, TSC Heat Control & Supply
Not Shown	512881	1	Harness, Wire Jumper
Not Shown	512019	1	Harness, Relative Humidity Control
Not Shown	512590	1	Harness, Oven Lights
Not Shown	512762	1	Harness, TSC Lights (11/2008 to 12/2011)
Not Shown	512299	1	Harness, Proofer Lights & Beeper 12/2011 to Present)

Table: PL-2 TSC Control Panel

TSC CONTROL PANEL

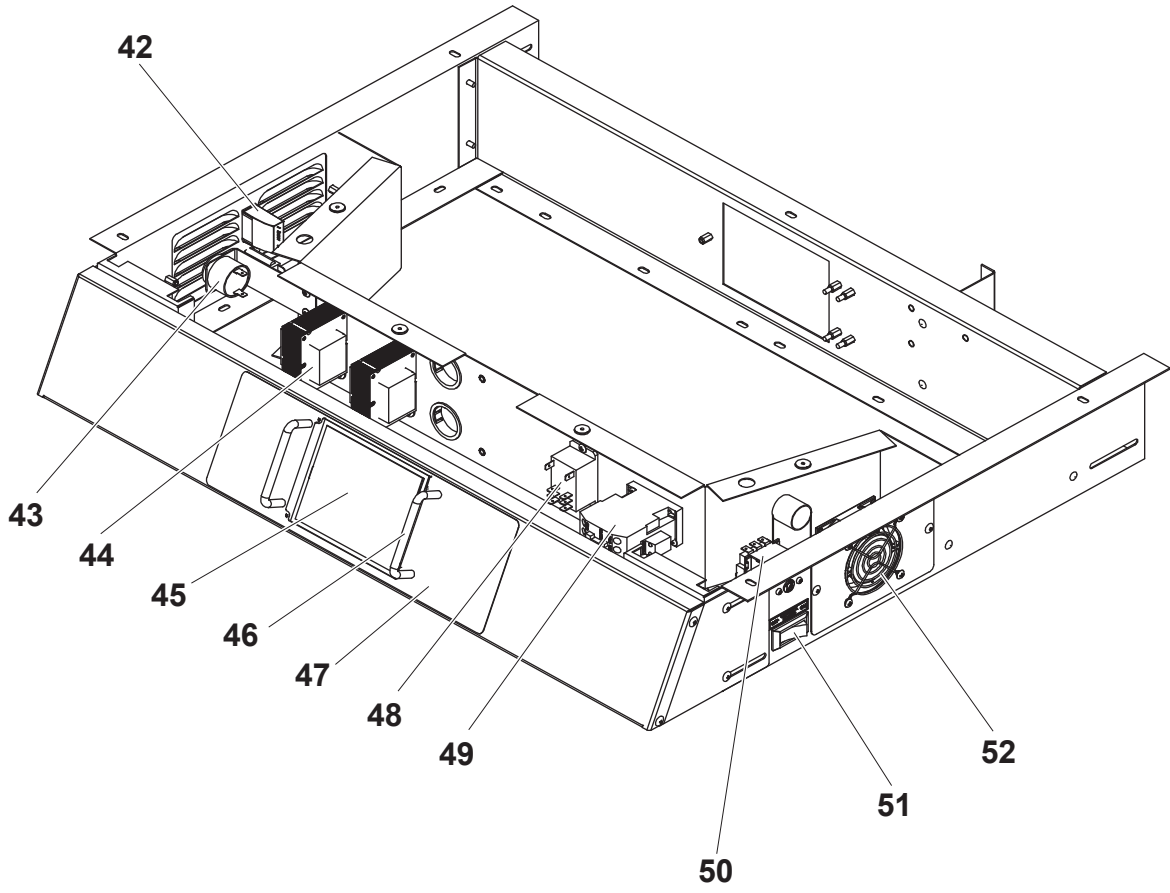


Figure: PL-2 TSC Control Panel

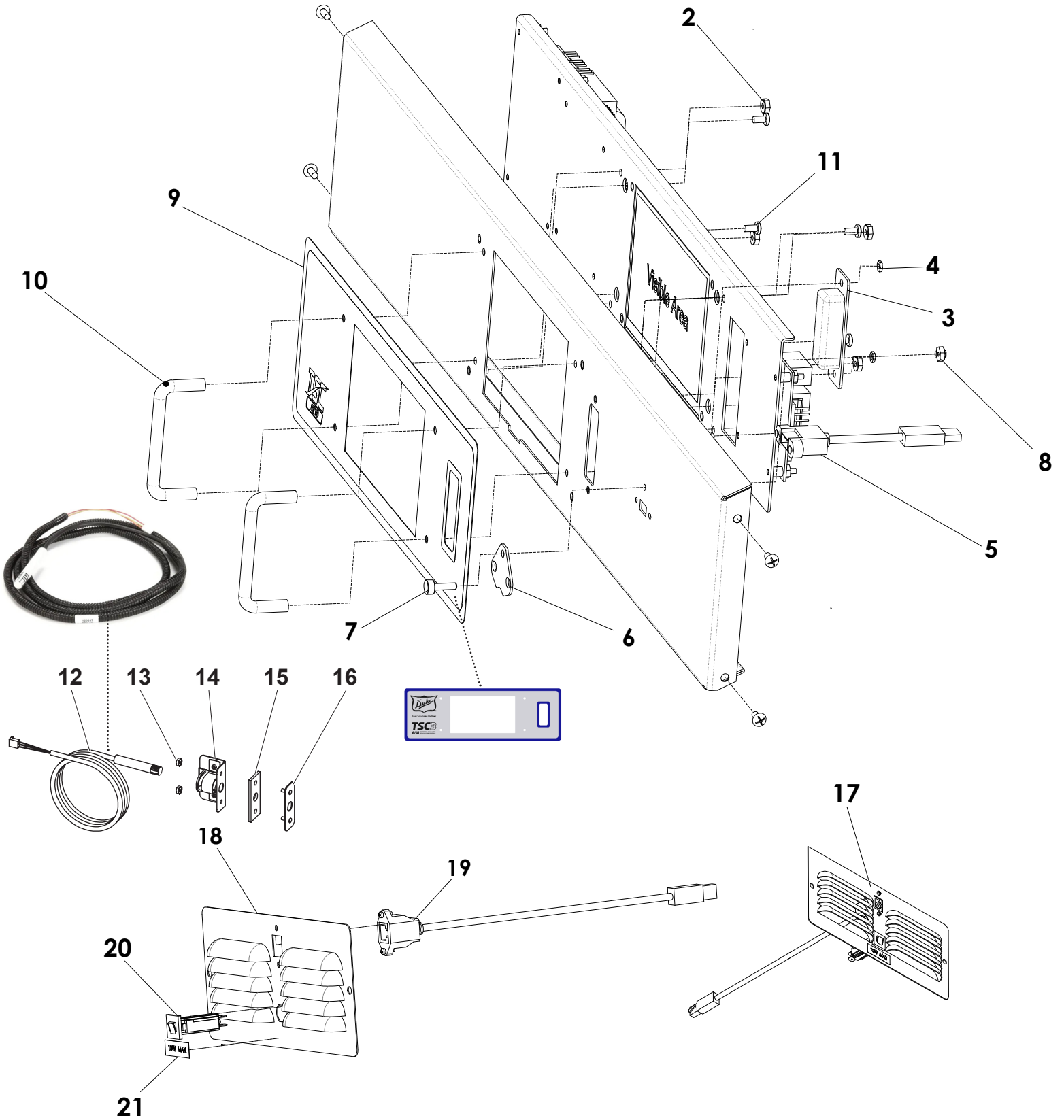
CONTROLS RETROFIT TSC TO TSC3 OVENS

Item	Part #	Qty.	Description
1	512980	1	Controls Retrofit Tsc To Tsc3 Ovens
2	155680	4	Nut, Keps, 8-32 Hex Zp
3	1092-0135	1	Dual Band Wifi Antenna
4	167564	2	Nut, #6-32 Keps
5	ELC0492	1	Usb-A To Pnl Mt Usb-A 16"
6	1059-0679	1	Hs2, Cover, Usb
7	1059-0731	1	Screw, Knurled Thumb, 8-32 X 5/8" Ss
8	1059-0732	1	Flex Head Locknut, 8-32, 18-8 Ss
9	512800	1	Overlay, Touch Screen 7"
10	120026	2	Handle, .312 Dia. X 3 X 1.312
11	512611	4	Screw, 8-32 X 5/16" Pn Ph Zp
12	120037	1	Rh Sensor Assembly
13	155680	2	Nut, Keps 8-32 Hex Zp
14	512009	1	Assembly, Tsc Humidity Sensor
15	512011	1	Gasket, Silicone Rubber 1" X 2.5"
16	512014	1	Assembly, Humidity Sensor Bracket
17	512102	1	Tsc Access Pnl Gen1,3
18	512101	1	Tsc, Gen1,3 Access Panel
19	ELC0468	1	Molded Ethernet Cable, 36"
20	512880	1	Breaker, Circuit 3 Amp
21	512313	1	Label,Max 10w Bulb Ce

Table: PL-3 TSC to TSC-M Control Panel Retrofit

CONTROLS RETROFIT TSC TO TSC3 OVENS

Item #1 (512980) Exploded View



AIR WASH OVEN DOOR

Item	Part #	Qty.	Description
53	512838K	1	Kit, Inner Air Wash Door
54	512839	1	Door, Outer Air-Wash
55	512994	2	Clip, Latching Inner Door w/Mtg Holes
56	167916	2	Screw, # 10-32 X .375 FL PH SS
57	512993	2	Lip, Latching, Inner Door
58	512995	2	Support Ramp, Inner Door
59	512996	2	Flange, Door Switch
60	512997	1	Bracket, Hinge Mount
61	512802	2	Plate, Backup, Hinge Mount
62	512877	4	Bumper, Silicone Rubber
63	175586	2	Screw, 10-24 x 3/8" FLU PH SS
64	653032	8	Screw, 10-24 x 1/2" FL PH-SS
65	168118	8	Screw, 8-32 x 1/4" PN PH SS
66	313181	4	Screw, 10-34 x 1/2" PN PH SS
67	502762	2	Washer, PTFE, 1/2" OD x 5/16" ID x .0625 THK
68	512498	2	Washer, .75 OD x .174 ID x .063 THK
Not Shown	512999	1	Spacer, Striker Plate (Ref - 600164)
Not Shown	512803	2	Striker Plate Screws (Ref - 600164)
Not Shown	502878	1	Strike Plate, Oven/Proofer Door (Ref - 600164)
Not Shown	600180	1	Kit, Retrofit, Air-Wash Door Rubber Bumper
Not Shown	600162	1	Kit, Air Wash Oven Door, Left Hinged, Replacement
Not Shown	600163	1	Kit, Air Wash Oven Door, R/Hinged, Replacement
Not Shown	600164	1	Kit, Air Wash Oven Door, Without Hinges & Handle

Table: PL-4 Air Wash Oven Door

AIR WASH OVEN DOOR

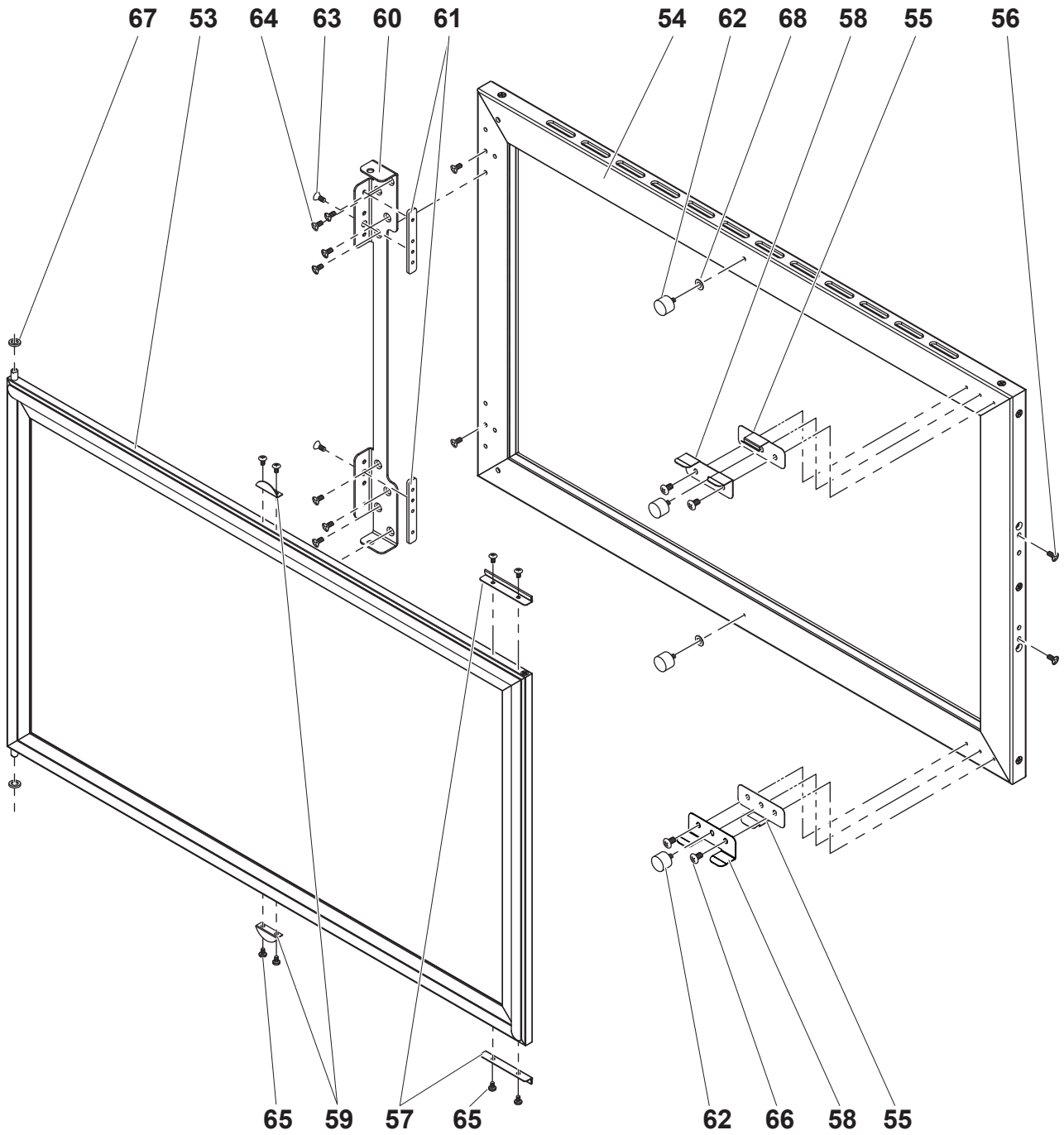


Figure: PL-4 Air Wash Oven Door

TSC-M & PBC-M CABINET COMPONENTS

Item	Part #	Qty	Description	
1	512835	2	Caster, Locking W/ Brake, 2½"	
2	512836	2	Caster, Swivel, 2½"	
3	600374	1	Kit, Drip Pan - TSCM Oven Uneven Floor Conditions Order Part # - 512935 (WELDMENT, SUBWAY DRIP PAN WELDED ASSEMBLY)	For
4, 5 & 6	156008	1	Kit, Drip Channel Assembly - Left Hinged Door	
	156009	1	Kit, Drip Channel Assembly - Right Hinged Door	
7	512562	1	Proofer Bottom Accesses Panel	
8	600413	4	Kit, Hinge, Door, TSC & TSC-M Ovens	
Not Shown	512021	A/R	Cover, Kason Hinge	
Not Shown	600179	A/R	Kit, Nutsert Installation Tool with Nutserts	
9	512905KIT	2	Kit, Handle and Latch Assembly, Oven & Proofer	
Not Shown	512920	4	Door Handle Screw, 10-32 x 1-3/4"	
10	600383	1	Kit, TSC Proofer Door Replacement	
11	502861	1	Gasket, Proofer Door	
Not Shown	600146	1	Kit, Proofer Door Assy-Left Hinged (Packaged)	
Not Shown	600147	1	Kit, Proofer Door Assy-Right Hinged (Packaged)	
12	600164	1	Kit, Air Wash Door Replacement without Hinges & Handle	
Not Shown	600162	1	Kit, Replacement Air Wash Oven Door, Left Hinged	
Not Shown	600163	1	Kit, Replacement Air Wash Oven Door, Right Hinged	
13	502869	1	Gasket, Oven Door	
14	512745	1	Cover, Top Motor	
15	502744	2	Guard, Oven Light	
16	502745	2	Guard, Proofer Light	
17	512777	1	RTD Thermostat, Oven & Proofer	
18	512759	2	Element, 500W Proofer 208V	
	512791	2	Element, 500W Proofer 230V	
Not Shown	522100	1	Kit, Proofer Element Retention Bracket	
19	154373	2	Element, 2500W Oven 208V	
	502831	2	Element, 2500W Oven 230V	
20	512594KIT	1	Proofer Motor Assembly with Blower Wheel	
21	600414	5	Kit, Halogen Lamp, TSC & TSC-M Ovens	
22	502794	5	Lens, Light Glass	
23	502795	5	Gasket, Lens Glass Oven/Proofer	
24	512495	5	Bulb, 10W Halogen	
25	600269	1	Kit, 208/230VAC Blower Motor Replacement	
Not Shown	502943	1	Capacitor, Oven Blower Motor	
26	502338	1	Fan Blade - Oven Motor, Heat Slinger	
27	512523	1	Motor Mounting Bracket, Oven	
28	154039	1	Blower Wheel, Oven	
29	600184	1	Kit, Retrofit Door Switch	
30	154547	2	Wire Rack, Proofer & Oven	
31	512539	1	Water Filtration System Assembly with Filter	
31A	512284	1	Head Assembly, Water Filter	
Not Shown	512536	1	Inlet Port Adapter Fitting	
Not Shown	512593	1	Outlet Port Adapter Fitting	
32	512570	1	Water Filter Only	
33	512592	1	Strainer Assembly, Threaded Bronze	
34	512537	1	Valve, Backflow, Dual Check	
35	512595	1	Assembly, Adapter Nozzle	
36	600185	1	Kit, Quick Disconnect Nozzle <i>(includes 512546, 338475 & 512595)</i>	
37	512546	1	Coupling, Insert 1/8/ BSPT	
38	120037	1	Sensor, Relative Humidity	
39	600226	1	Kit, Replacement TSC Solenoid Valve 240V 50/60HZ	
40	600187	1	Kit, Replacement, Backflow Valve Assembly	
41	502933KIT	1	Kit, Assy Facade TSC Oven, Domestic <i>(See Illustration on following pages)</i>	
	2505257KIT	1	Kit, Assy Facade TSC Oven, CE <i>(See Illustration on following pages)</i>	
42	512597	1	Assembly, Cap Mounting Water Supply, Proofer	
43	338475	AR	Teflon Tape, 1/2" x 520" <i>(Ref-512597 Assembly)</i>	
44	512534	1	Reducer Bushing 1/4 NPTF x 1/8 NPT <i>(Ref-512597 Assembly)</i>	

Table: PL-5 TSC-M & PBC-M Cabinet Components

TSC-M & PBC-M CABINET COMPONENTS

45	512545	1	Coupling Body, 1/8 BSPT (Ref-512597 Assembly)
46	512685	1	Elbow, 1/4 x 1/4 NPTF Self Aligning (Ref-512597 Assembly)
Not Shown	512317	1	Weldment, Duct, Side, Right, Oven, LW
Not Shown	512319	1	Weldment, Duct, Side, Left, Oven, LW
Not Shown	512346	1	Assembly, Intake, Blower, Cavity, Oven, LW
Not Shown	502351	1	Vent Cap (Requires 512908, 10-24 x 1/4" Set Screw)
Not Shown	502320	1	Weldment, Air Duct, Proofer (same part RH & LH sides)

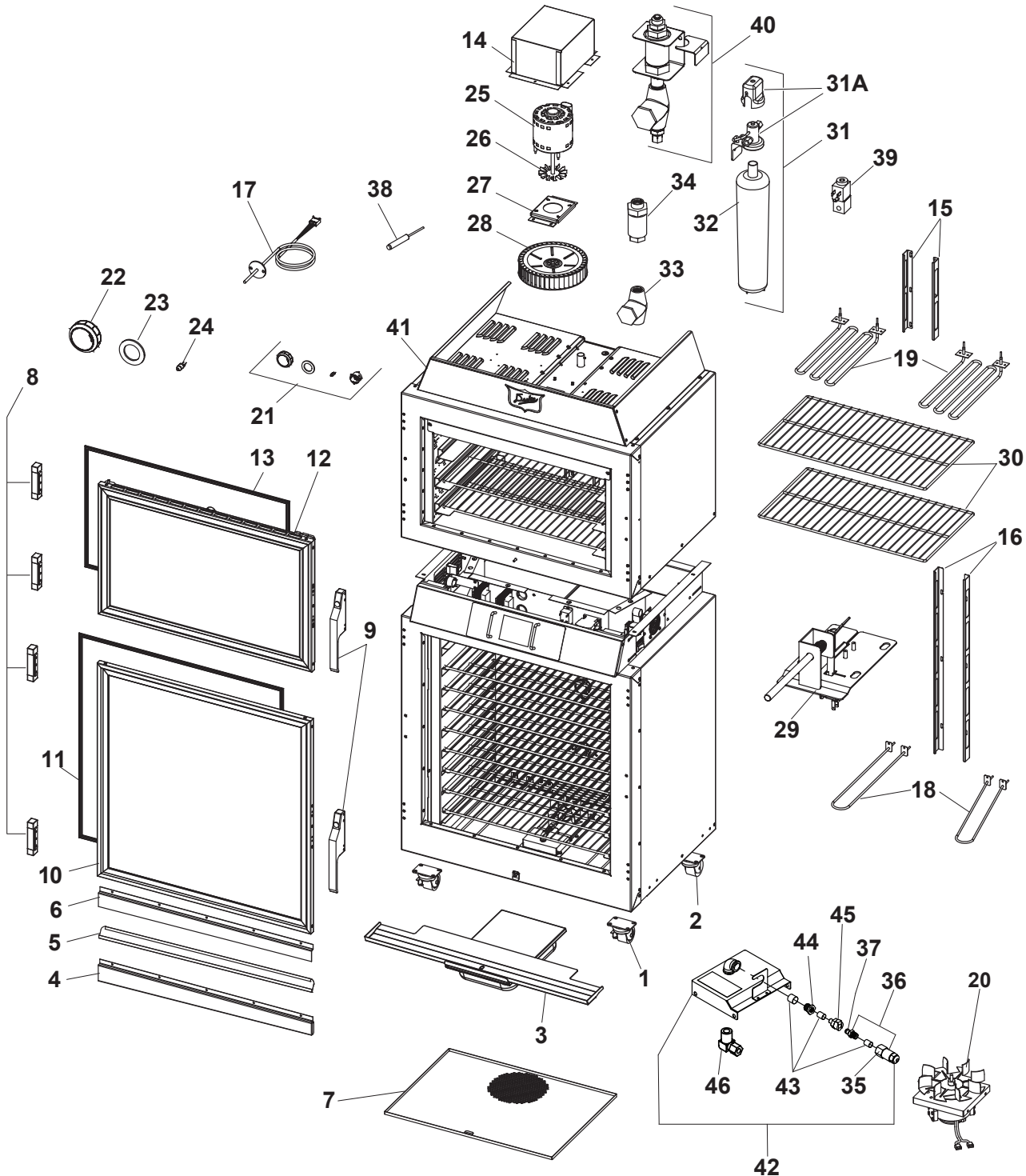


Figure: PL-5 TSC-M & PBC-M Cabinet Components

TSC-M & PBC-M CONTROL PANEL COMPONENTS

Item	Part #	Qty	Description
42	120007	1	USB Port
43	512568KIT	1	Kit, Buzzer, Mounting Angle
44	600351	1	KIT, SERVICE, 120011 PWR SUPPLY
Not Shown	120501	1	Fuse, 3.15 AMP 5x20mm, Slow Blow (<i>Ref-120111, component of 600351</i>)
45	600350	1	KIT, SERVICE, ELC0058-1 , IO PCB, TSC-6/18M
Not Shown	120500	1	Fuse, Slow 250VAC 10A 5X20 (<i>Ref-ELC0058-1, component of 600350</i>)
46	512960	1	Controls Retrofit TSCM to TSC3
	512960	1	PBC-M Proofer Oven Controller Replacement Kit
47	120026	2	Handle, Guard Control
48	120061	1	TSC Overlay, Touch Screen
	524403	1	PBC Overlay, Touch Screen
49	600373	4	KIT, SOLID STATE RELAY REPLACEMENT
	600439	1	KIT, SOLID STATE RELAY REPL - MOTOR LOADS
Not Shown	223824	1	MOV Filter Assembly - International/CE Blower SSR
50	159092	1	Fan, Muffin 29CFM, 230 VAC, 50/60 HZ
	512956	1	Guard, Fan
	213359	4	Screw, #8-32 x 1/2" TR PH S/S
	10223500	4	Nut, #8-32 SST
51	512880	1	Breaker, Circuit, 3 Amp for Proofer Light Transformer
52	512765	1	Thermostat, Hi-Limit
53	120001	1	Terminal Block
54	502937	2	Transformer 230V
	502840	2	Transformer 208V
	600477	1	Kit, TSC-M, CE Oven Light Transformer (<i>Option for Ovens with Incoming Voltage above 230V</i>)
Not Shown	600384	1	Kit, Interlock External Hood TSC-M
55	156527	1	Power Switch (208/230, 60 Hz Units) (<i>Also used in 230/415V, 50Hz units prior to Serial #05186491</i>)
	169629	1	Power Switch (230/415V, 50 Hz Units - <i>Beginning with Serial #05186491</i>)
Not Shown	120102	1	Fuse Holder, Mod Control, TSC (<i>Located behind main power switch</i>)
Not Shown	120103	2	Fuse, Mod Control, TSC (<i>Located behind main power switch</i>)
Not Shown	120070	1	Cover, Rear
Not Shown	512763	1	Harness, Oven TSC
Not Shown	512764	1	Harness, Proofer TSC
Not Shown	120031	1	Harness, Control AC
Not Shown	120032	1	Harness, Control Oven Heat
Not Shown	120140	1	Filter Assembly, CE, TSC-6/18M

Table: PL-6 TSC-M & PBC-M Control Panel

TSC-M & PBC-M CONTROL PANEL COMPONENTS

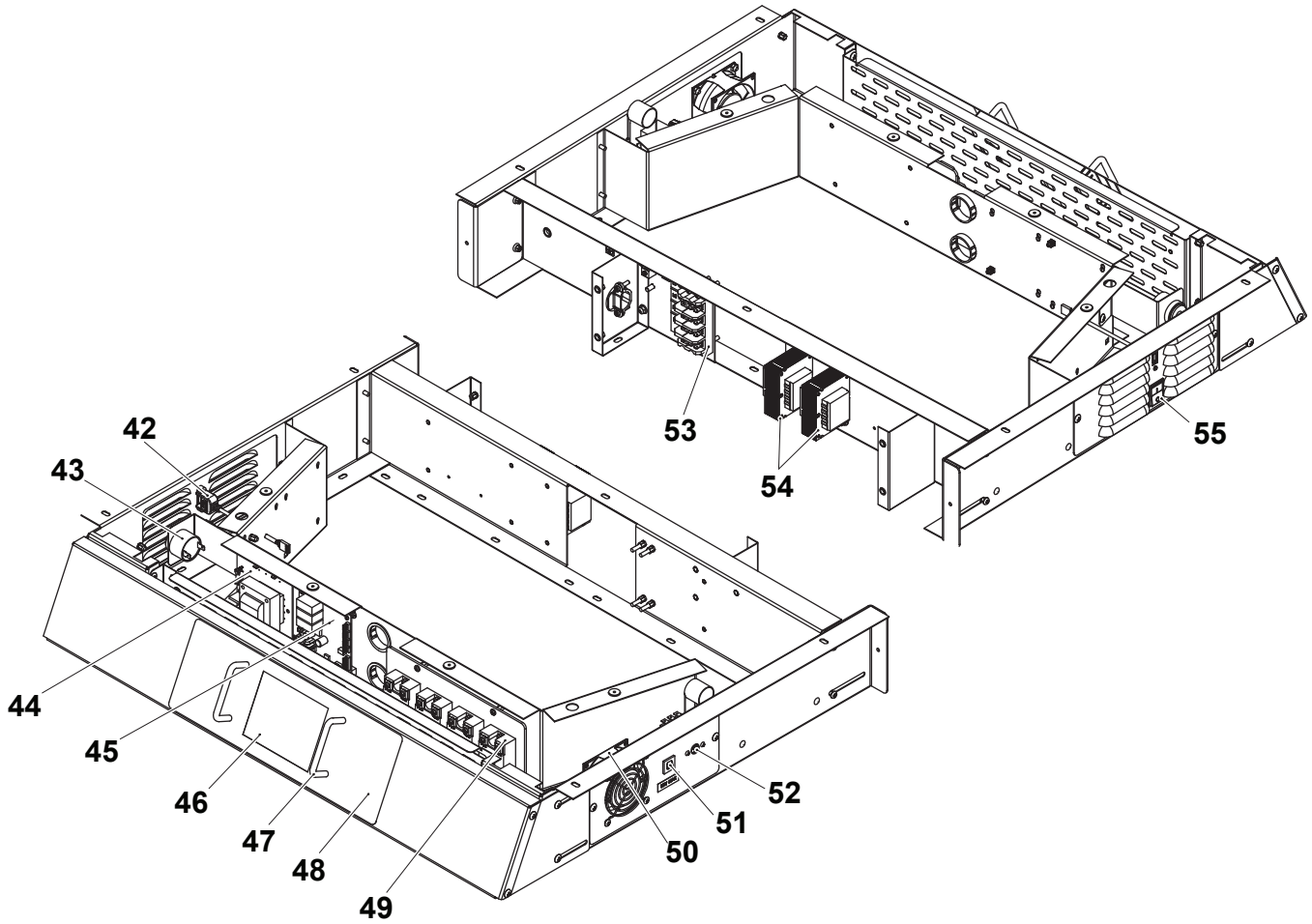
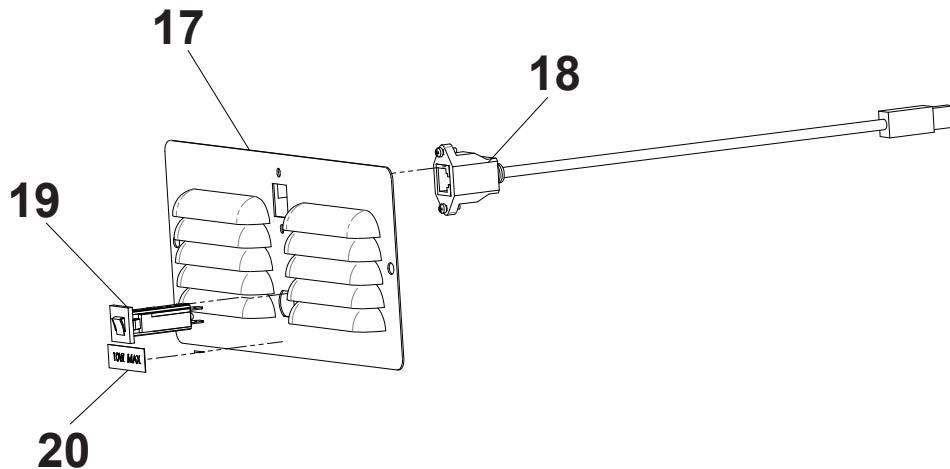


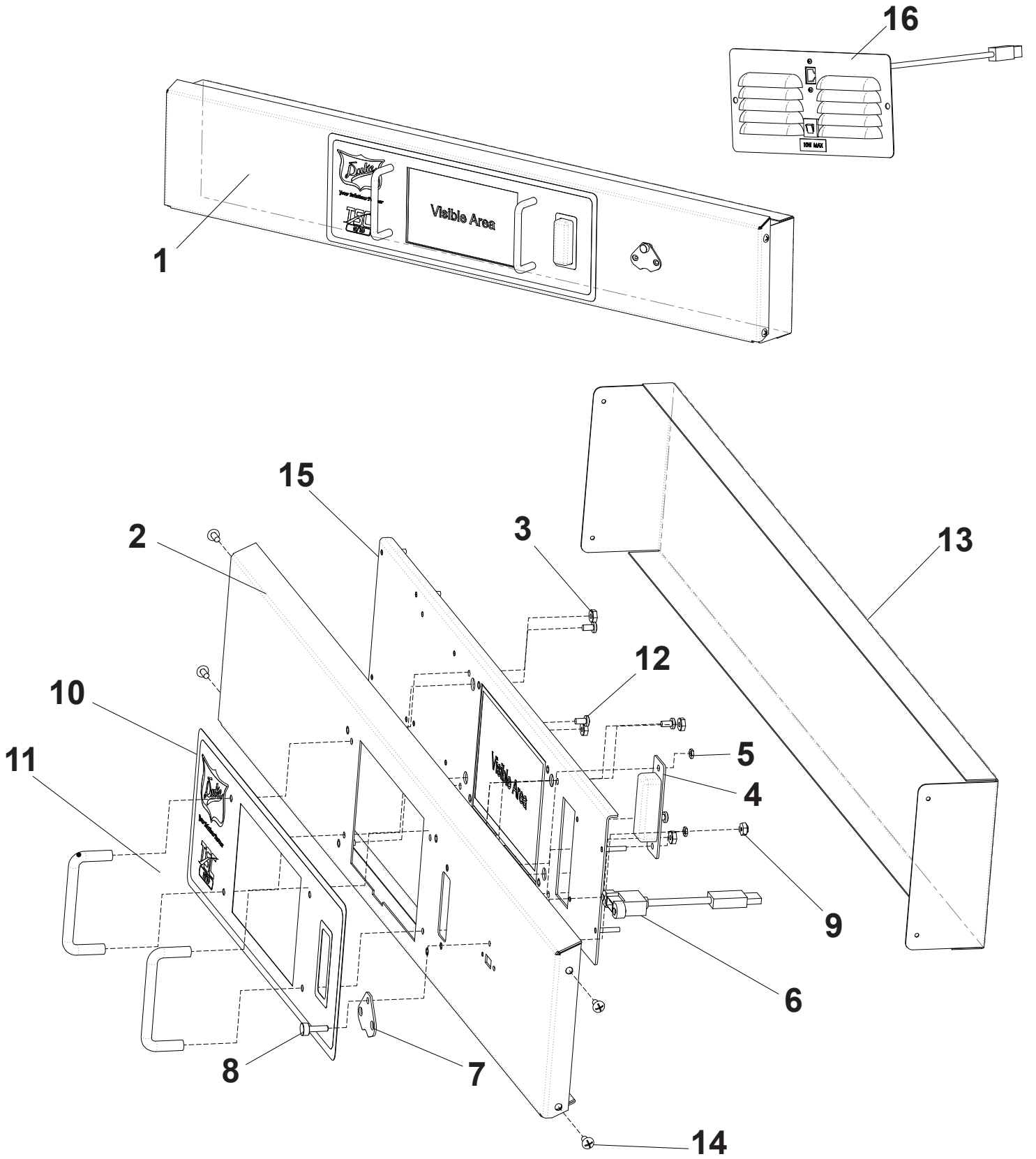
Figure: PL-6 TSC-M & PBC-M Control Panel

PART #512105

SERVICE ASY CONTROL 7" RETROFIT KIT
 GEN 1 TO GEN2 MOD TO GEN3 (TSC3)

Item	Part #	Qty	Description
1	512104	1	Asm Pnl Ctrl Gen1mod To Gen 3
2	512966	1	Asm Ctrl Panel Frt 7" Pems
3	155680	4	Nut, Keps 8-32 Hex Zp
4	1092-0135	1	Dual Band Wifi Antenna
5	167564	2	Nut, Keps 6-32 Hex Ss
6	ELC0492	1	Molded Usb-A Cable 16"
7	1059-0679	1	Hs2, Cover, Usb
8	1059-0731	1	Screw, Knurled Thumb 8-32x5/8 Stainless Steel;
9	1059-0732	1	Nut, Flex Lock 18-8 Ss, 8-32
10	512800	1	Overlay, Touch Screen 7in.
11	120026	2	Handle, 0.312dia x 3x1.312d
12	512611	4	Screw, 8-32x5/16" Pn Ph Zp
13	120181	1	Mcd Shipping Guard, Pcb's
14	213032	4	Screw, 8-18x1/2" Tek Phil
15	512103	1	Asy Cont Mtg Ang Gen1 Mod Gen3
16	512102	1	Tsc Access Pnl Gen1,3
17	512101	1	Tsc Oven Acc Pnl Gen1,3
18	ELC0468	1	Ethernet Cable 36"
19	512880	1	Breaker, Circuit Thermal
20	512313	1	Label, Max. 10w Bulb Ce

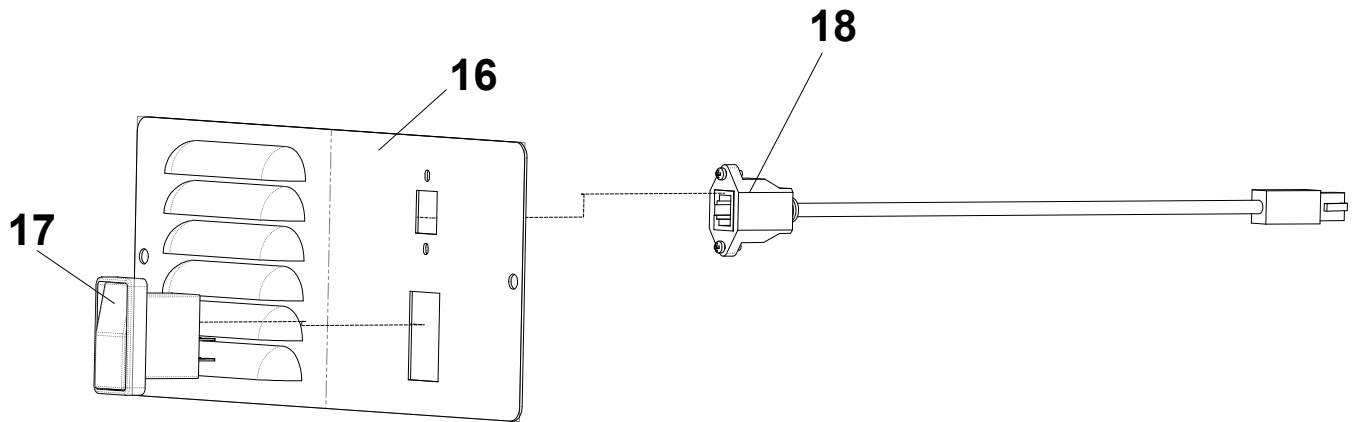


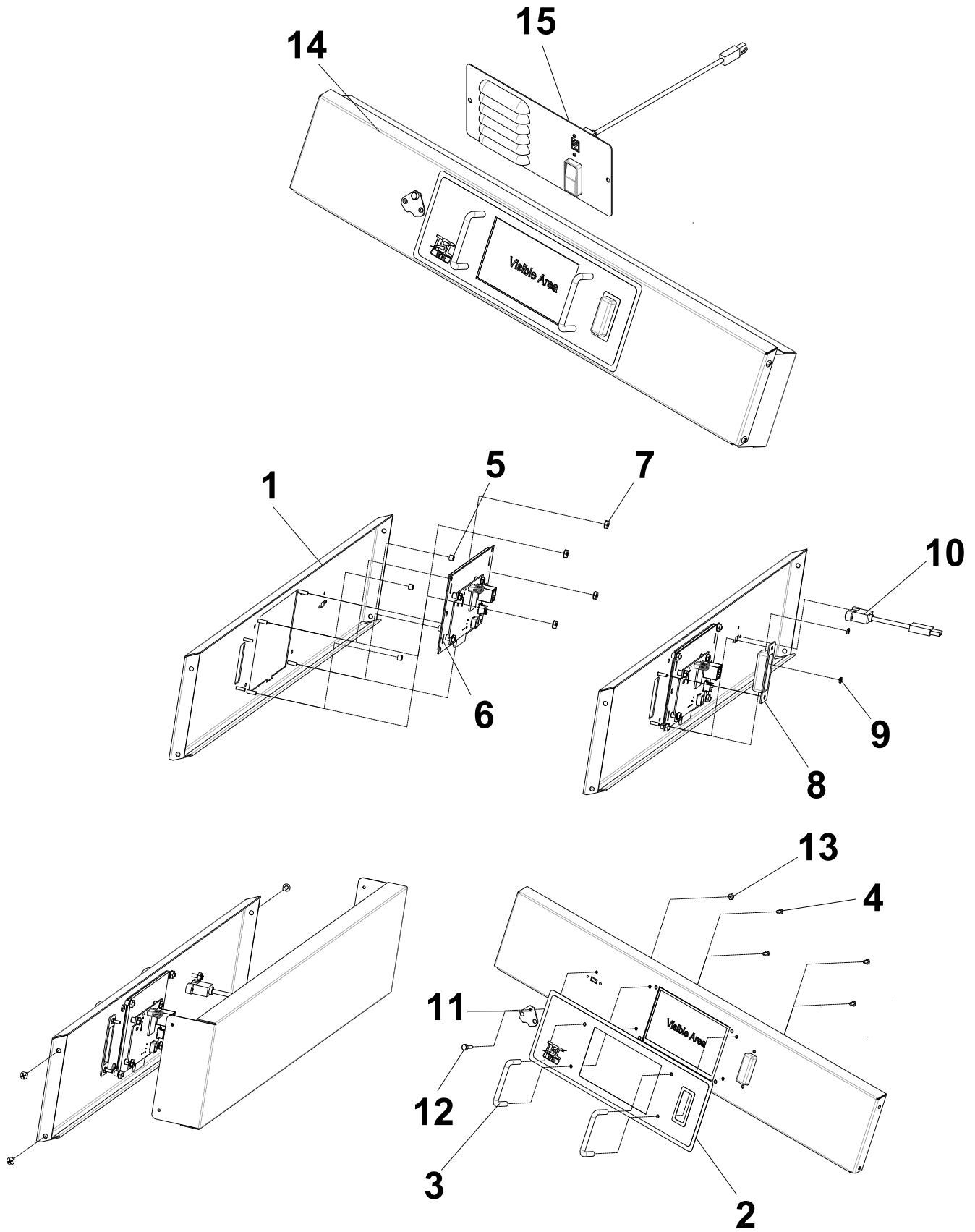


PART #512960

SERVICE ASY CONTROL 7" RETROFIT KIT
GEN 2 (TSCM) TO GEN3 (TSC3)

Item#	Part #	Qty	Description
1	512900	1	ASM CTRL PANEL FRONT W/PEMS
2	512800	1	OVERLAY, TOUCH SCREEN 7IN.
3	120026	2	HANDLE,0.312DIA X3X1.312D
4	512611	4	SCREW,8-32X5/16"PN PH ZP
5	512983	4	SPACER, ALUM 1/4"X 3/16"
6	512106	1	KIT,SERVICE 7"TS TSC-6/18
7	155680	4	NUT,KEPS 8-32 HEX ZP
8	1092-0135	1	DUAL BAND WIFI ANTENNA
9	167564	2	NUT,KEPS 6-32 HEX SS
10	ELC0492	1	Molded USB-A Cable 16"
11	1059-0679	1	HS2, COVER, USB
12	1059-0731	1	SCREW, KNURLED THUMB 8-32X5/8 STAINLESS SSTEEL;
13	1059-0732	1	NUT, FLEX LOCK 18-8 SS, 8-32
14	512902	1	ASM PANEL CTRL HSG FRONT 7IN
15	512801	1	TSC ASY ACCESS PANEL
16	512907	1	TSC ACCESS PANEL
17	169629	1	SWITCH,SEALED CARLING
18	ELC0468	1	ETHERNET CABLE 36"





TSC3-6/18 CONTROL PANEL COMPONENTS

Item	Part #	Qty	Description
1	512907	1	Panel Access
2	169629	1	Switch, Sealed Carling
3	ELC0468	1	Molderd Ethernet Cable, 36"
4	213359	4	Screw, 8-32 X 1/2", Tr Ph Ss
5	512956	1	Guard Fan
6	512880	1	Thermal Circuit Breaker
7	512313	1	Label, Max. 10w Bulb Ce
8	502843	1	Label "Hi-Limit & Reset"
9	512765	1	Thermostat, Hi-Limit
10	159092	1	Fan, Muffin 29cfm 230v
11	10228200	4	Nut, 10-24 Serrated Flange
12	120048	1	Panel Access, R
13	512800	1	Overlay, Touch Screen 7in
14	1092-0135	1	Dual Band Wifi Antenna
15	512106	1	Kit, Service. 7" Touchscreen Tsc3-6/18
16	120026	2	Handle, .312dia X 3w X 1.312d Al
17	1059-0679	1	Hs2, Cover, Usb
18	1059-0731	1	Hs2, Thumb Screw, Knurled Hd
19	ELC0492	1	Usb-A To Pnl Mt Usb-A 16"

TSC3-6/18 CONTROL PANEL COMPONENTS

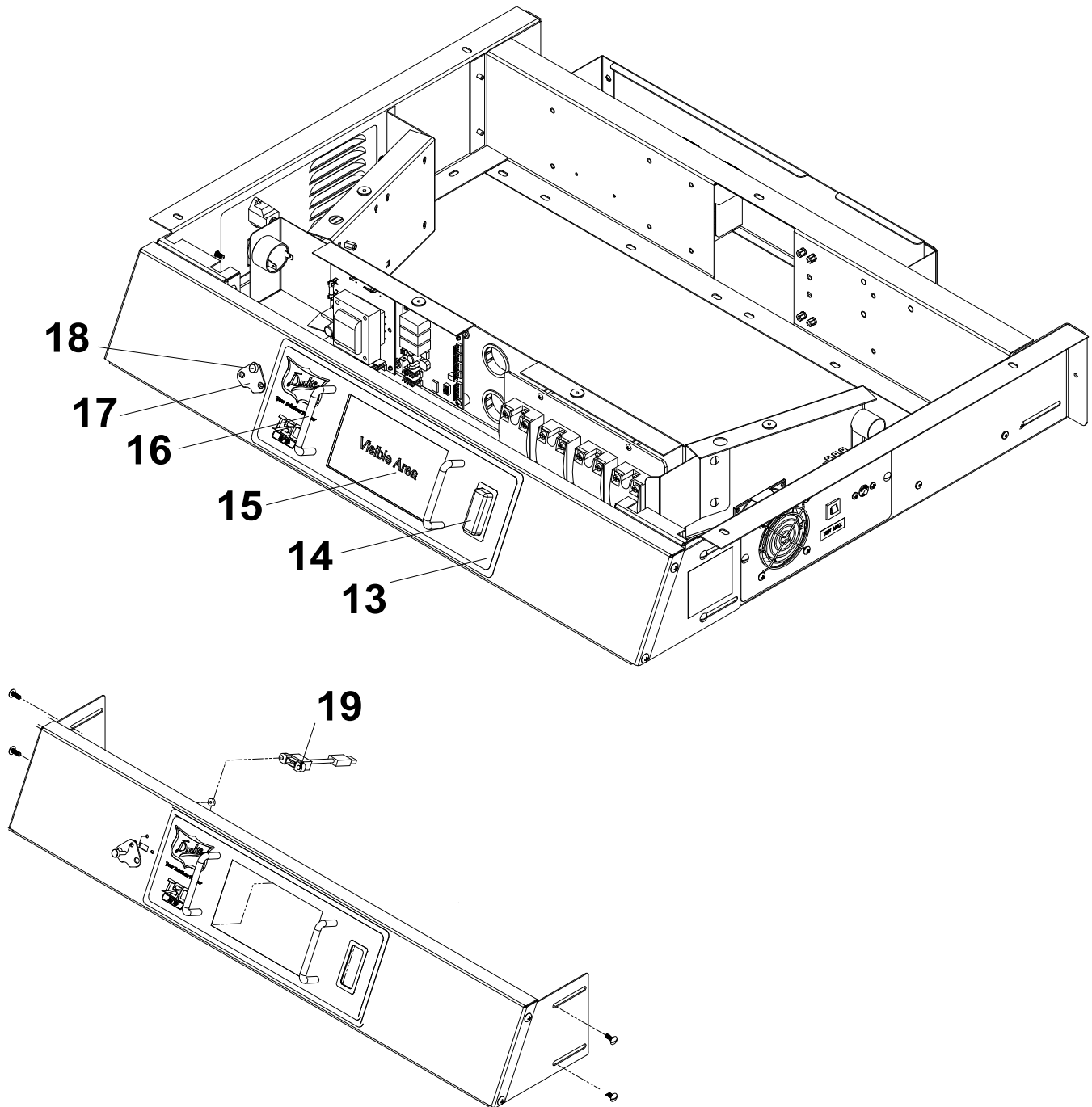
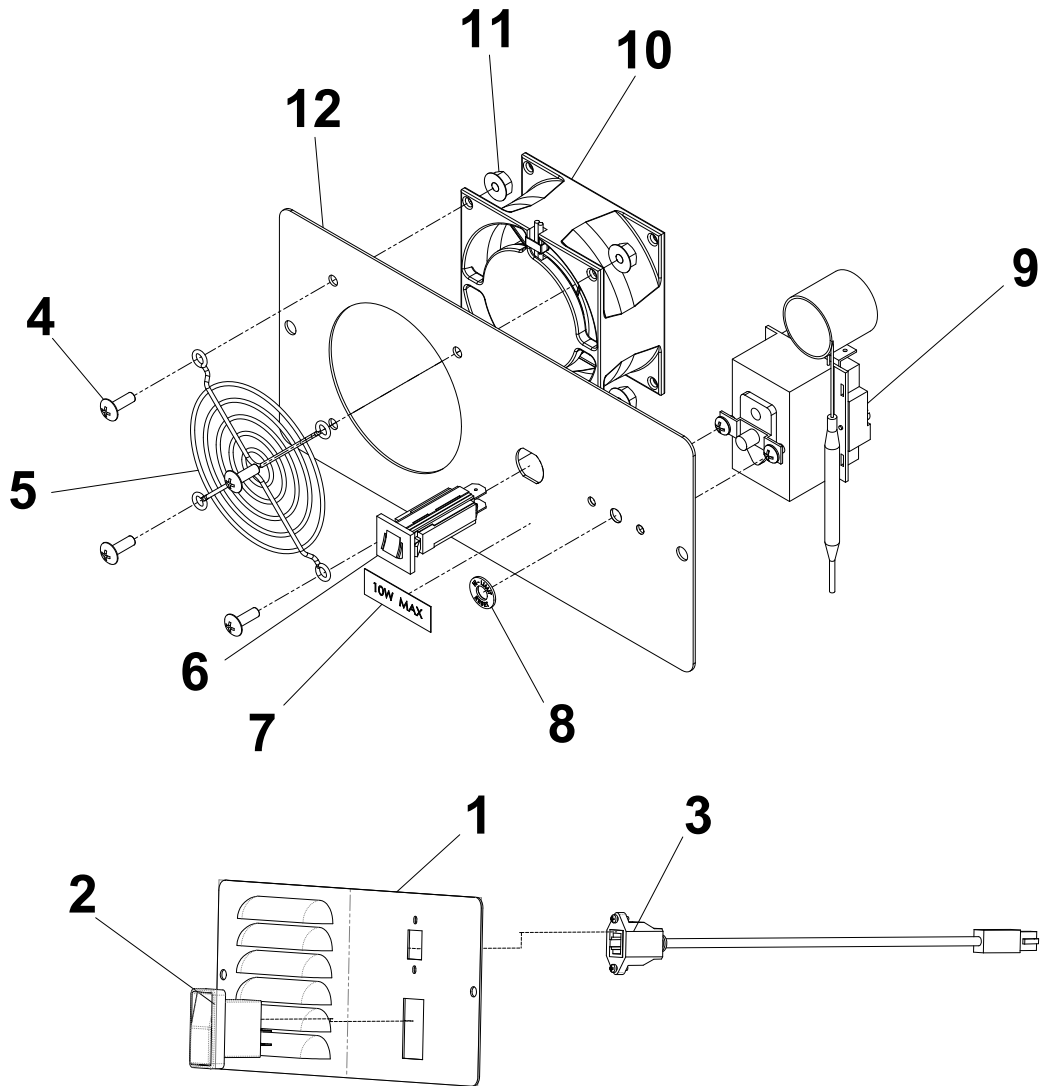


Figure: PL-6 TSC3-6/18 Control Panel

TSC3-6/18 CONTROL PANEL COMPONENTS



TSC3-6/18 CONTROL PANEL COMPONENTS

Item	Part #	Qty	Description
1	120080	1	Asm, Chnl, Air Direction W/Pems
2	600350	1	Service, Io Pcb, Tsc-6/18m
3	120063	1	Bracket, Speaker
4	120082	1	Asm, Plate, Ssr Mount
5	512766	1	Buzzer, Ultra Loud Continuous Tone
6	600373	4	Kit, Solid State Relay Replacement
7	120015	3	Screw, #8x.75 Pn Ph Sm Ss
8	120016	4	Standoff, 8-32x1 Hx Al
9	153115	4	Grommet, Silicone
10	10430009	2	Bushing, Snap
12	600351	1	Kit, Service. 120011 Pwr Supply
13	120158	3	Spacer,Nut .375"
15	404886	4	Screw,8-32x1/2 Pn Hd Ph Ss
16	512876	2	Nutsert, 10-24 Open End, Hexagonal Body
17	213027	2	Scew, 10-24x1/2" Pthms S/S
18	155680	8	Nut,Keps 6-32 Hex Zp
19	223824	1	Assy, Mov Filter - Ssr

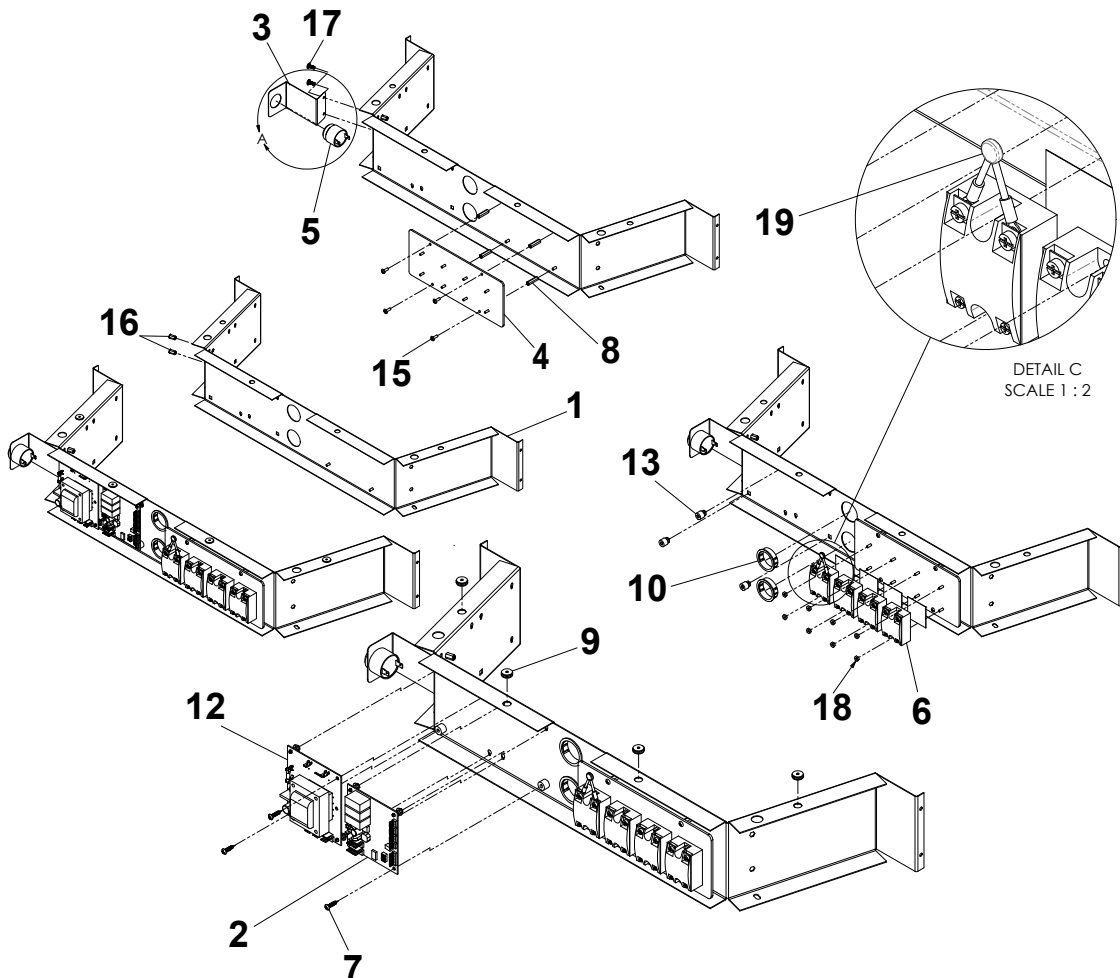
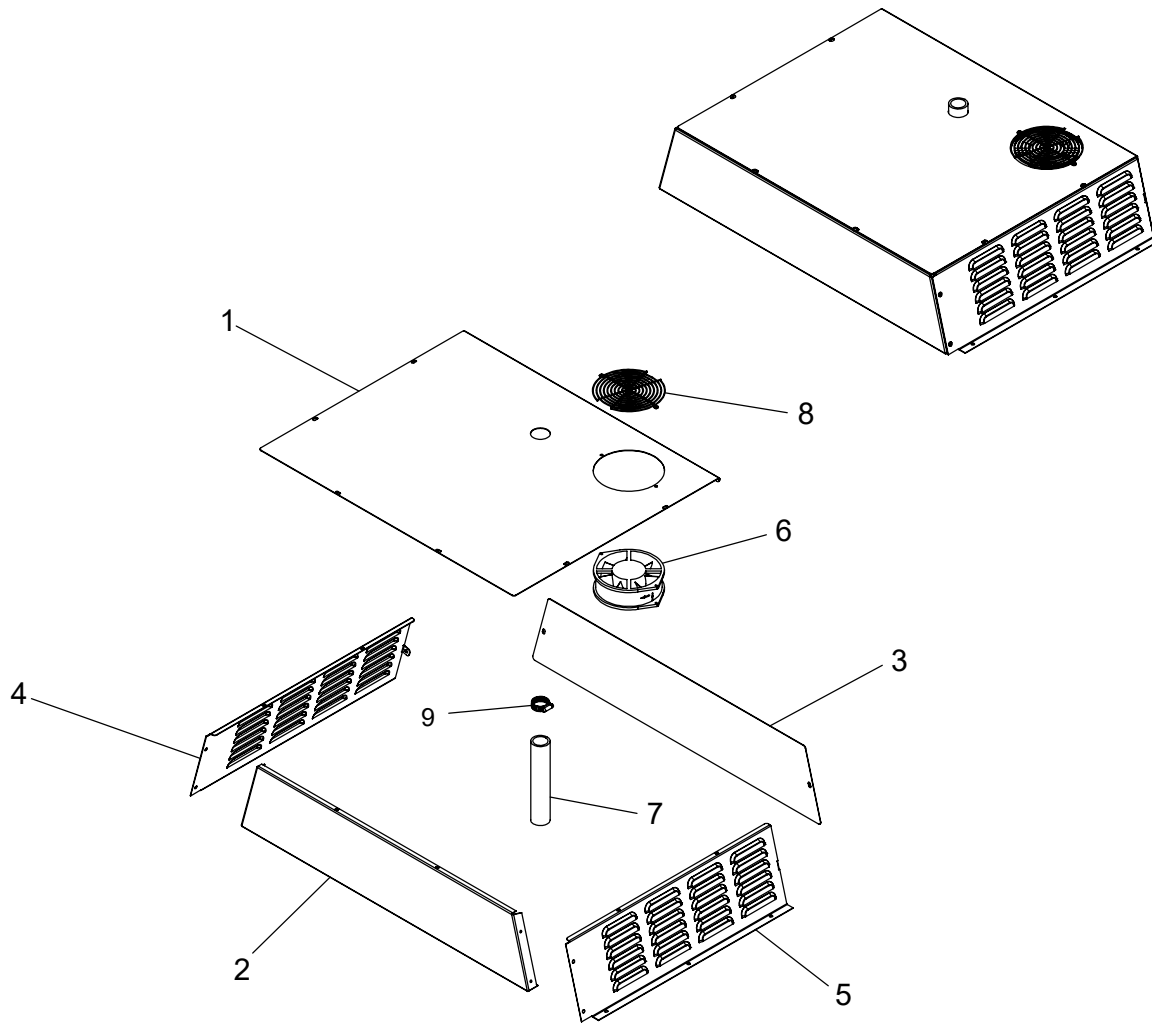
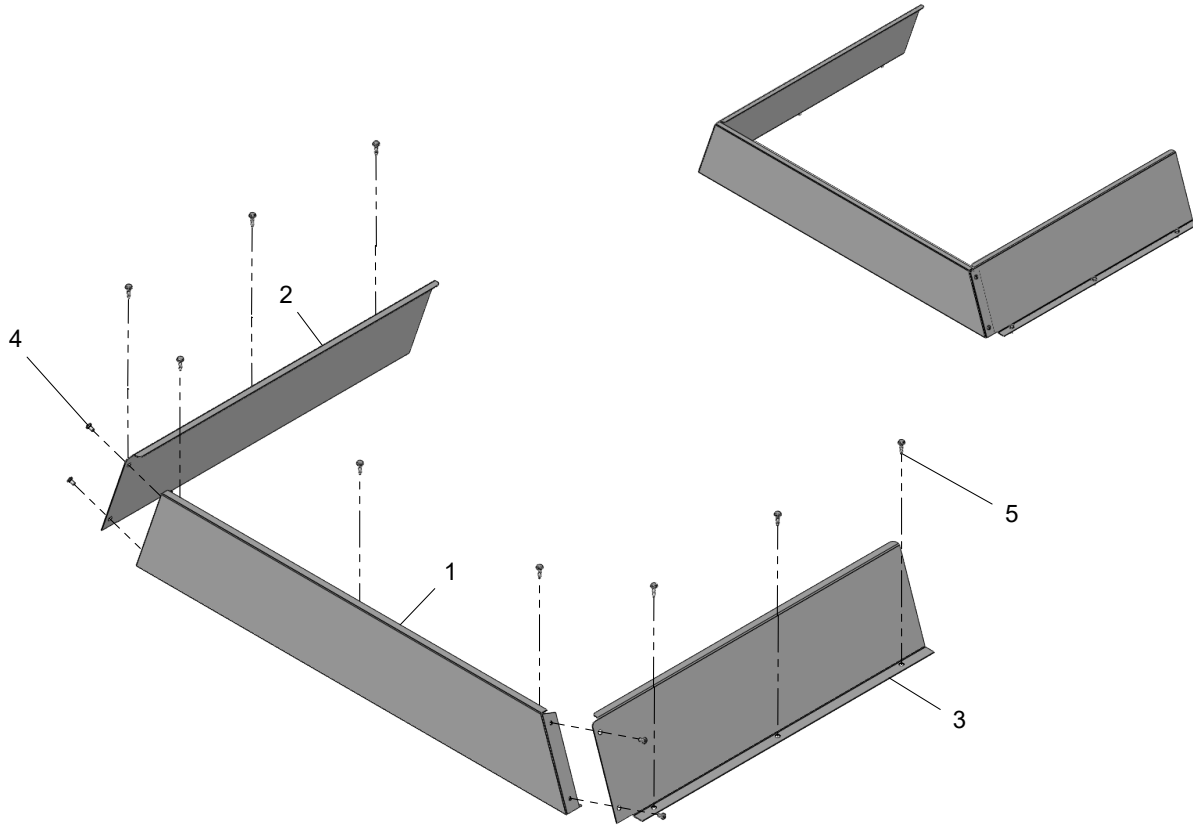


Table: PL-6 TSC3 - 6/18 Control Panel

2505257KIT - ASSEMBLY, FACADE TSC OVEN, CE



Item	Part #	Qty	Description
1	2501745	1	Facade, Top, Tsc, Ce
2	2501746	1	Facade, Front, Tsc, Ce
3	2501747	1	Facade, Rear, Tsc, Ce
4	2501743	1	Facade, Side, Left, Tsc, Ce
5	2501744	1	Facade, Side, Right, Tsc, Ce
6	522030	1	Fan, Muffin 230 Cfm, 230v
7	523027	1	Tubing, Silicone Rubber, 1.61" Od X 1.25" Id X 8"
8	522031	1	Guard, Muffin Fan
9	512717	1	Hose Clamp, 13/16" To 1-3/4"
Not Shown	155680	2	Nut, Keps 8-32 Hex Zp
Not Shown	159141	2	Screw, 8-32 X 1 Rd Ph Ss
Not Shown	0280750	2	Screw, 10-24 X 1/2" Tr Ph Ss Machine
Not Shown	218861	4	Rivet, 3/16" Ss Monobolt
Not Shown	512876	8	Nutsert, 10-24 Zpy Open End Hexagonal Body

502933KIT - ASSEMBLY, FACADE TSC OVEN, DOMESTIC

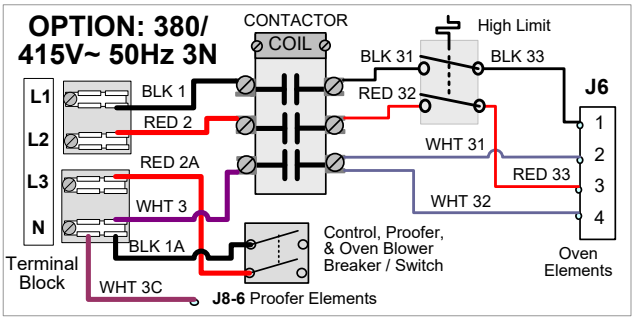
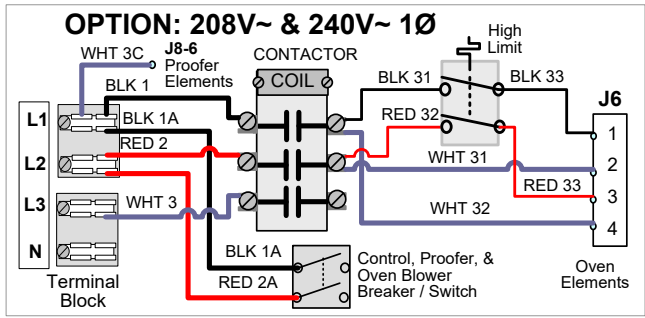
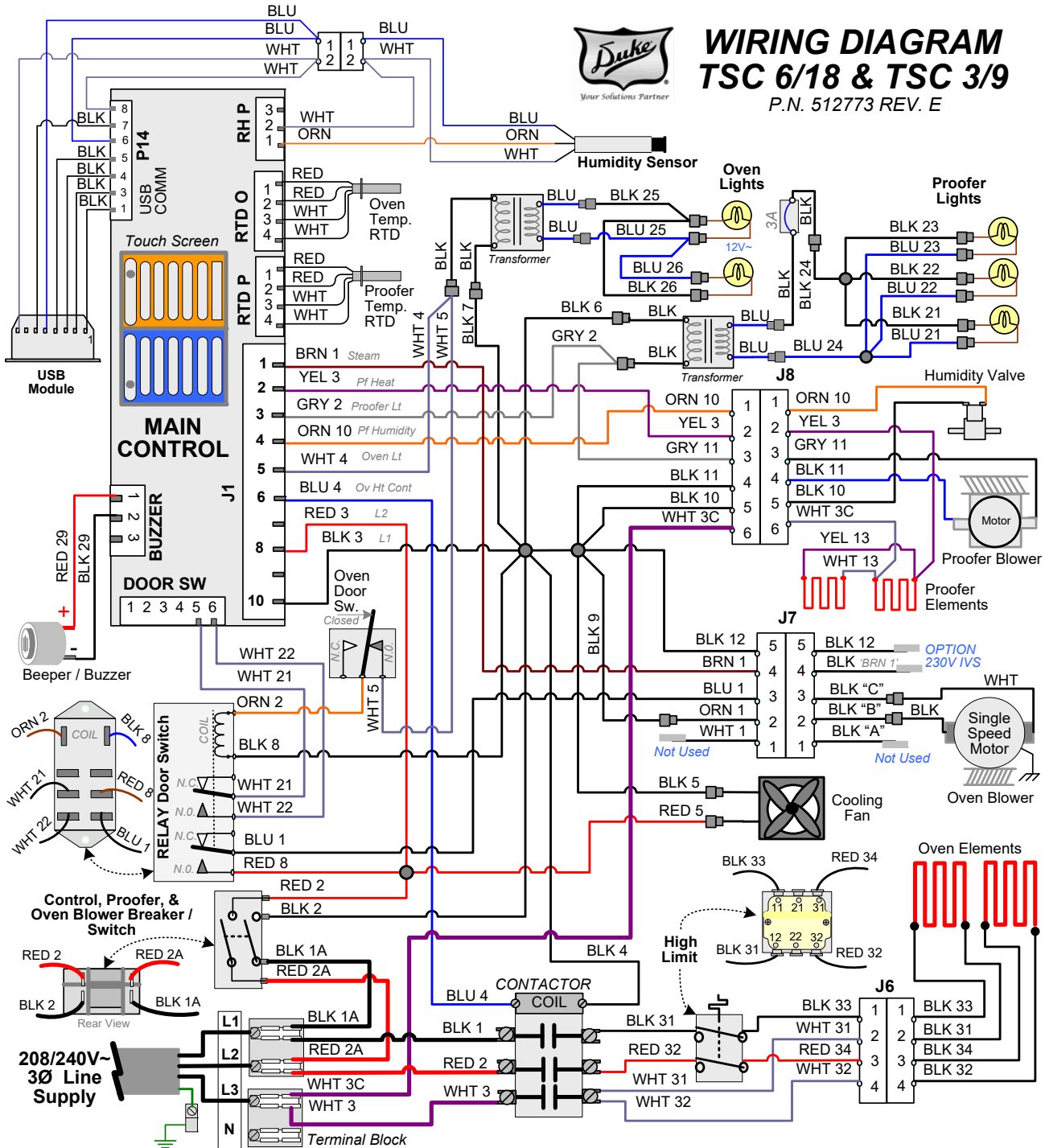
Item	Part #	Qty	Description
1	502123	1	Facade, Front
2	502124	1	Facade, Side, Left
3	502125	1	Facade, Side, Right
4	218861	4	Rivet, 3/16 Ss Monbolt
5	430463	9	Screw, 10-16 X 3/4 lhxm Us Zp-Tek

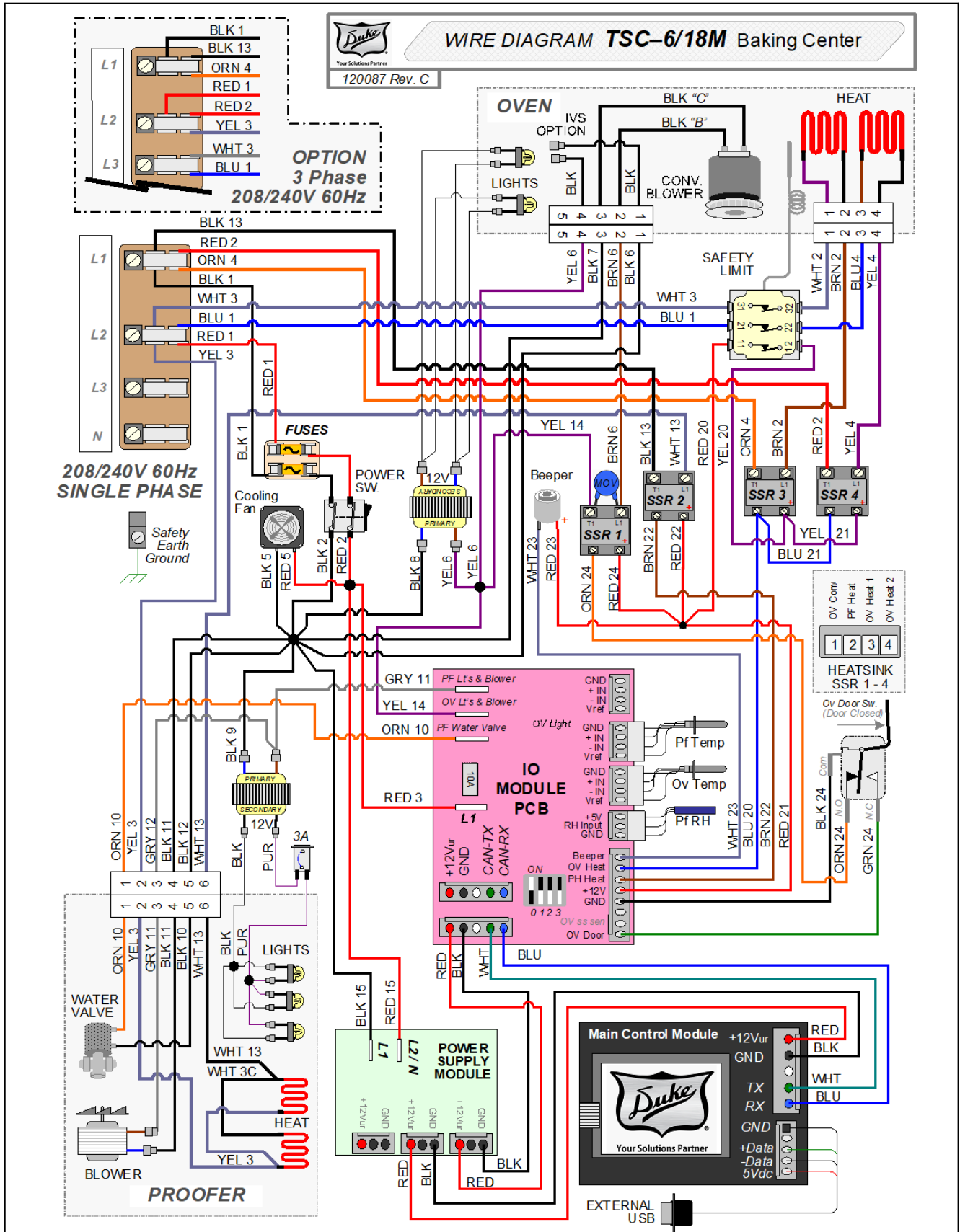


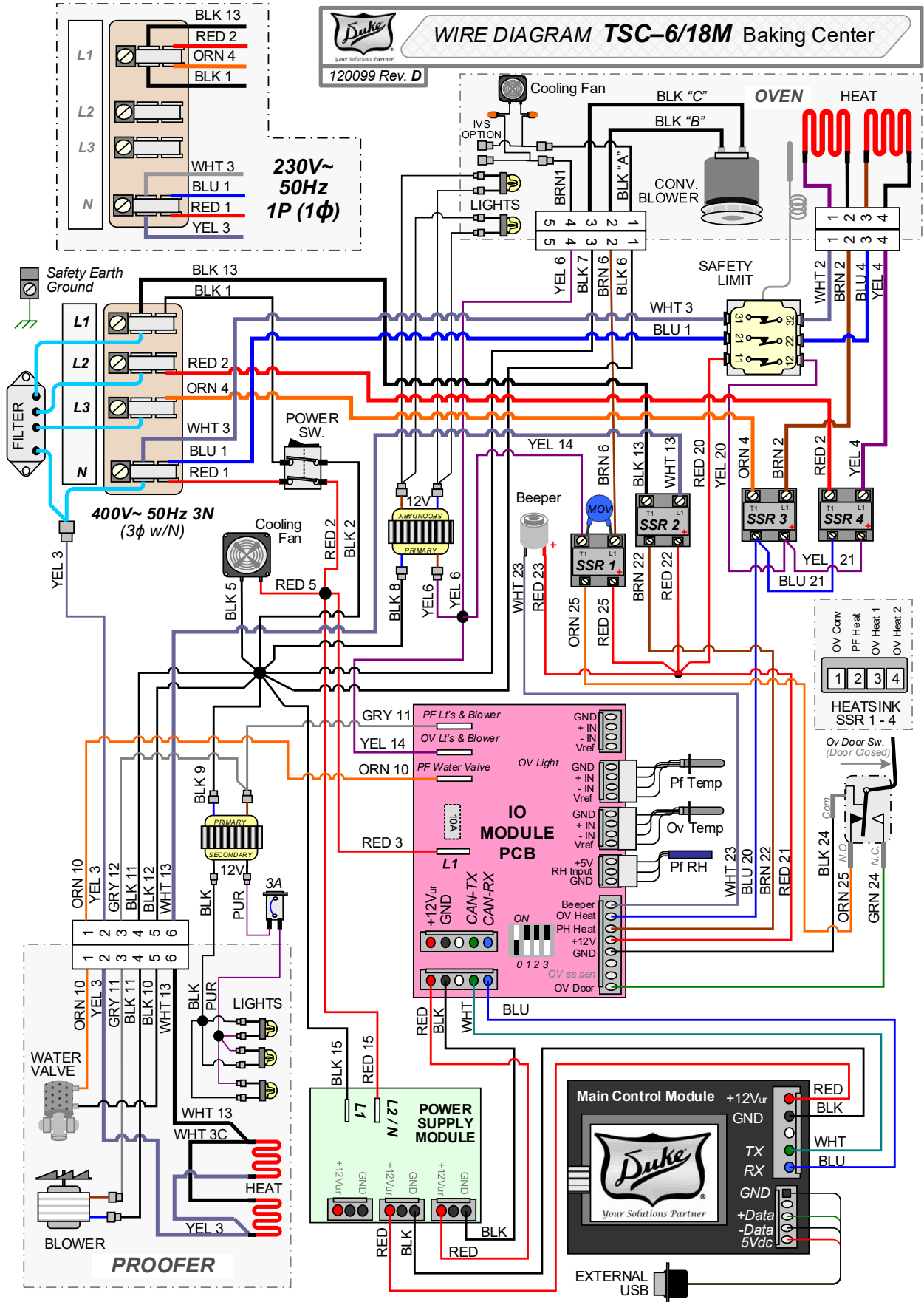
WIRING DIAGRAM

TSC 6/18 & TSC 3/9

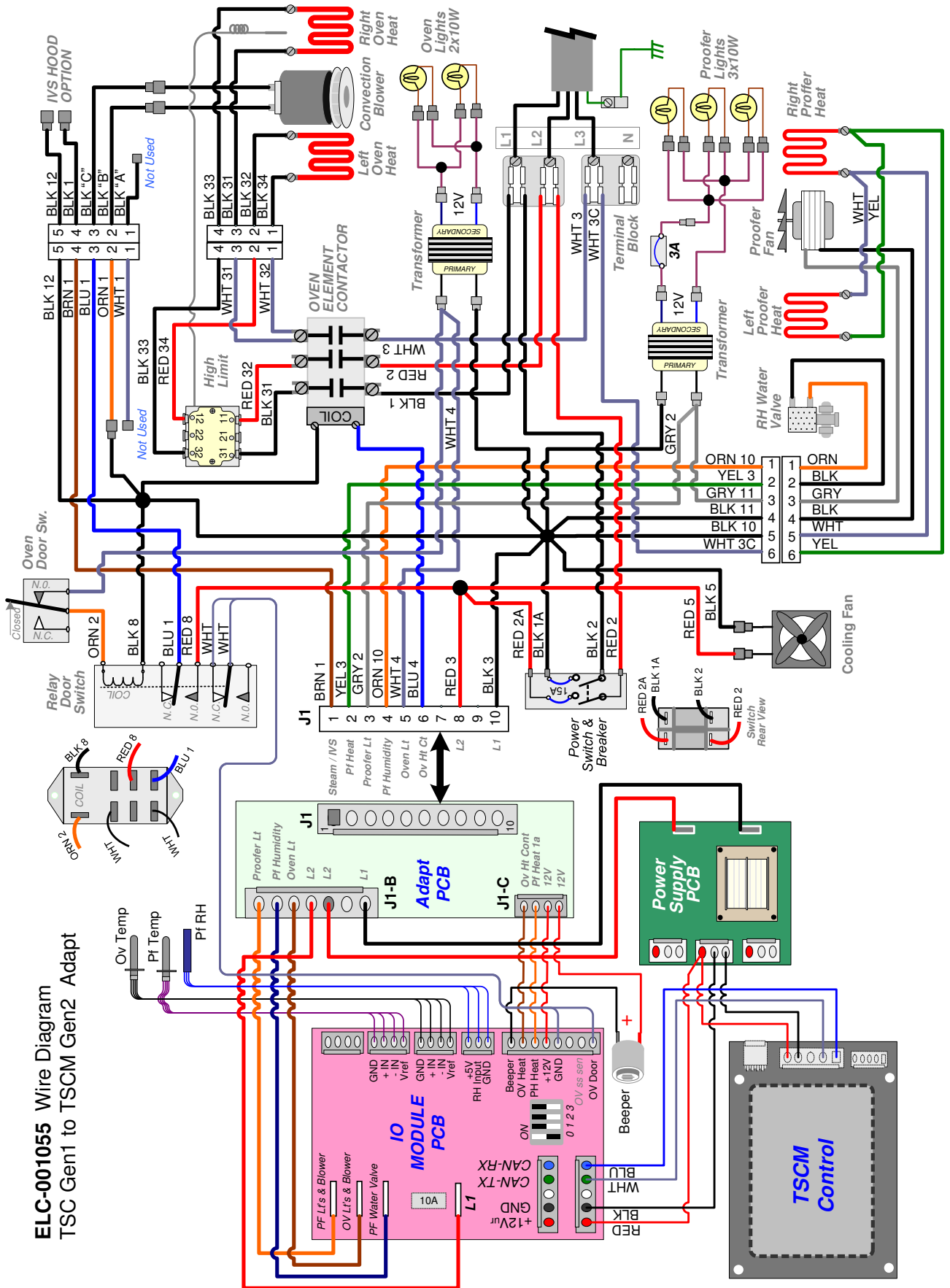
P.N. 512773 REV. E



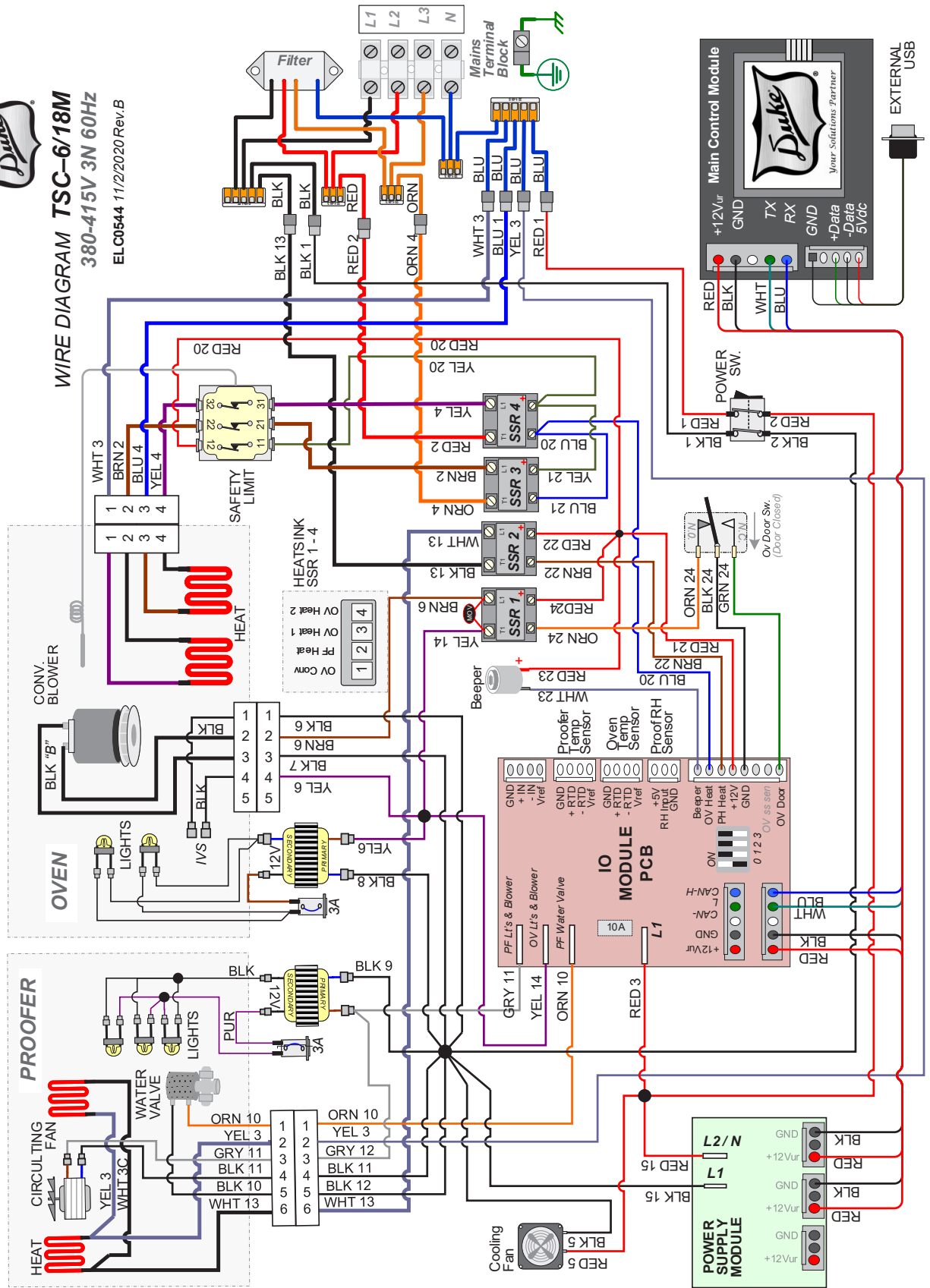




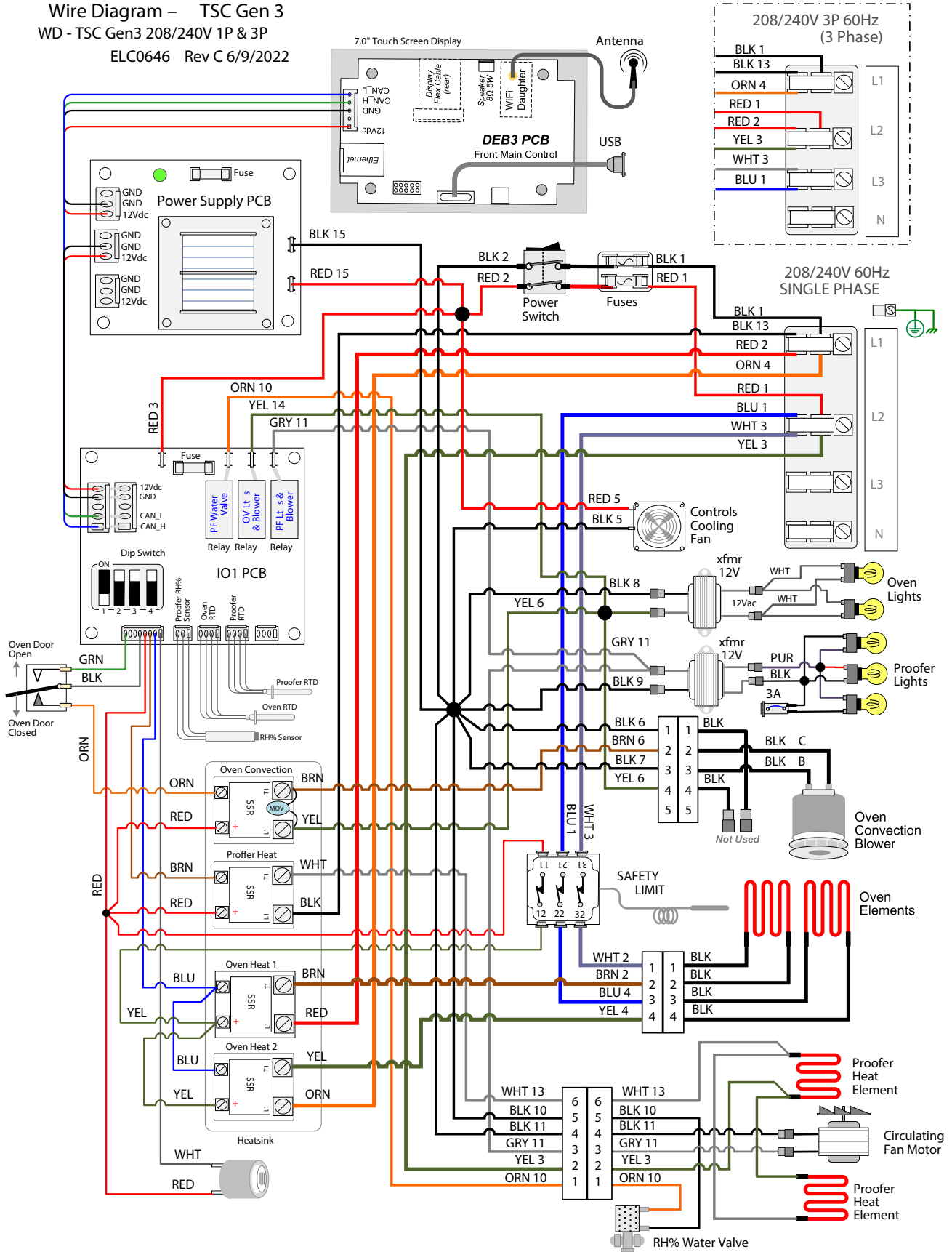
ELC-001055 Wire Diagram
TSC Gen1 to TSCM Gen2 Adapt



Duke
WIRE DIAGRAM TSC-6/18M
 380-415V 3N 60Hz
 ELC0544 11/2020 Rev.B



Wire Diagram – TSC Gen 3
 WD - TSC Gen3 208/240V 1P & 3P
 ELC0646 Rev C 6/9/2022

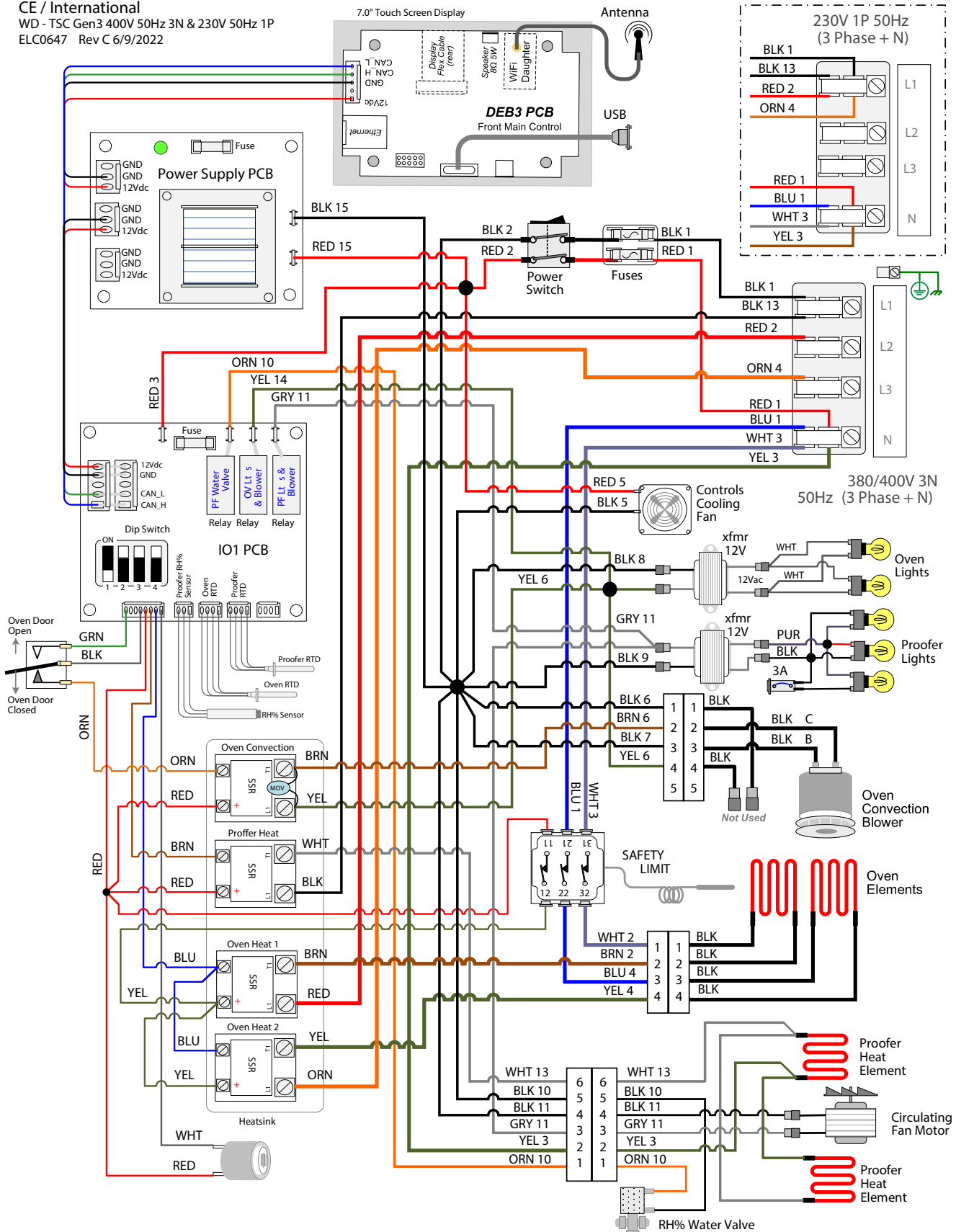


Wire Diagram - TSC Gen3

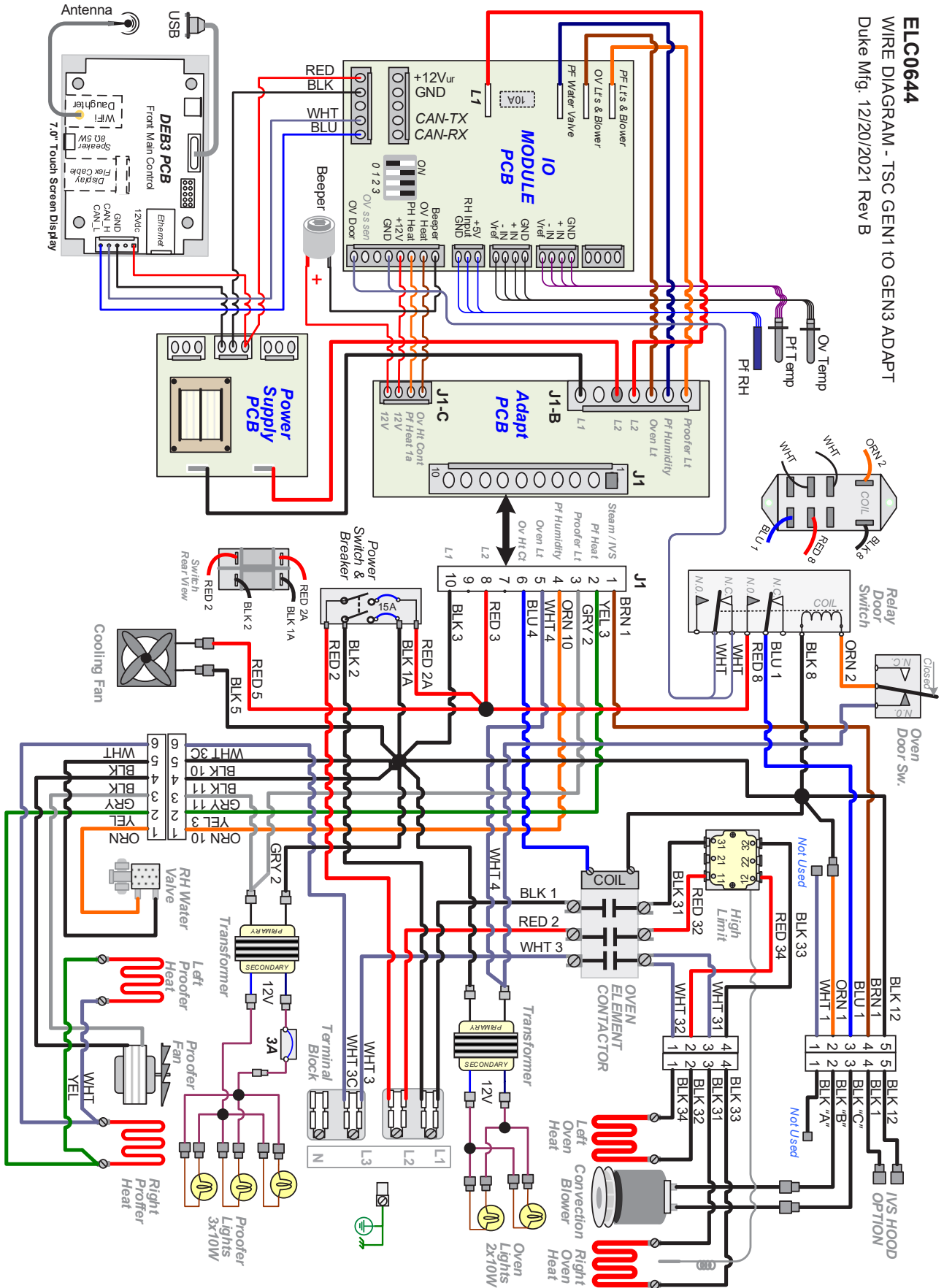
CE / International

WD - TSC Gen3 400V 50Hz 3N & 230V 50Hz 1P

ELC0647 Rev C 6/9/2022



ELC0644
WIRE DIAGRAM - TSC GEN1 IO GEN3 ADAPT
 Duke Mfg. 12/20/2021 Rev B





Your Solutions Partner

Duke Manufacturing Co.

2305 N. Broadway • St. Louis, MO 63102

800-735-3853 • 314-231-1130

Fax: 314-231-5074

www.dukemfg.com