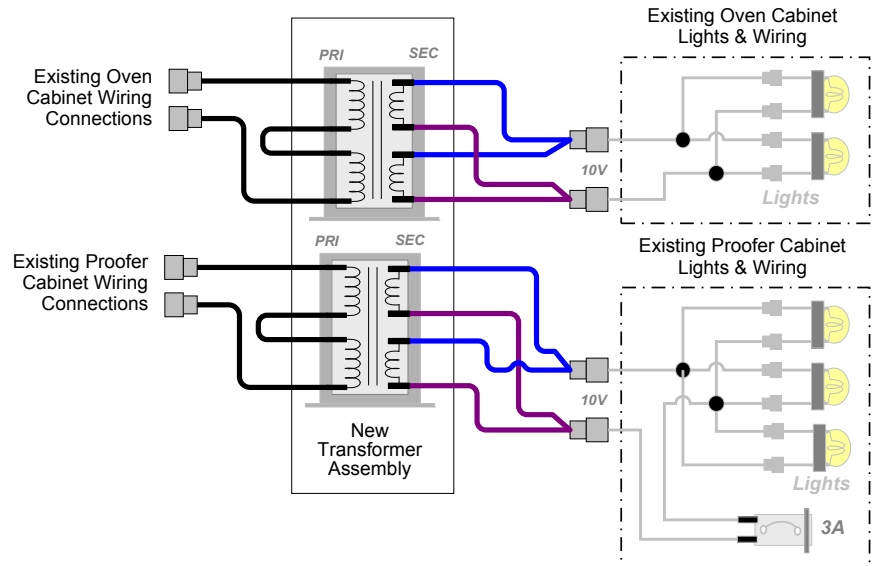
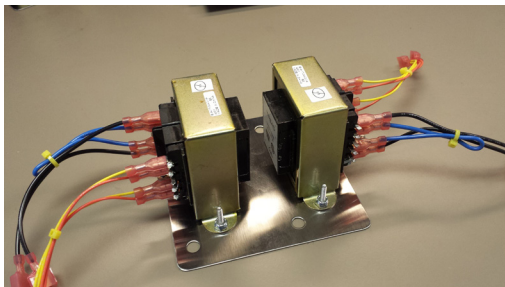


TSCM 240V CE LIGHT POWER KIT INSTRUCTIONS

OVEN & PROOFER LIGHT POWER SUPPLY KIT - HIGHER LINE VOLTAGE APPLICATIONS

This Kit replaces the existing 12Vac transformer output Halogen Light supply transformers with 10Vac transformer output to extend Halogen bulb light in higher line voltage supply field applications.

The provided transformers, mounting bracket, and interface jumper harnesses are designed for ease of installation on field TSCM ovens.



Instructions:

1. Disable / turn Off the line supply voltage to the oven. Use lockout / tag out procedures.
2. After verifying the power is disabled to the oven, remove the access panel from the middle rear of the oven.
3. The Light supply transformers are located to the left with the rear cover removed. Disconnect the Primary (.250" Quick connections) and the Secondary (.187" Quick Connectors) from both the proofer and oven Light supply transformers.
4. Remove the transformers, each transformer has 2 mounting screws.
5. Install the Kit's mounting plate with transformers using the prior transformers 4 mounting screws.
6. Connect the Primary and Secondary Quick connections to each of the Kit's interconnects mating to the existing cabinet and light assembly wiring.
7. Verify the oven Primary connection to oven lights connection and proofer to proofer lights connections.
8. Reinstall the rear access panel. Enable / turn On the line supply voltage to the oven.
9. Turn On the oven and verify the oven light are enabled with the Touch Screen control oven section active and verify the proofer lights are enabled when the proofer section is active from the control.
10. The wiring for the oven and proofer lights can be inverted at either the transformer Primary connections or the transformer Secondary connections. If the cabinet light do not function properly, check the connections at the Kit's transformers.



Your Solutions Partner

Duke Manufacturing Company

2305 N. Broadway • St. Louis, MO 63102, USA
1-800-735-3853 • +1-314-231-1130 • +1-314-231-5074
www.dukemfg.com

P/N 229035A
09/14/2016