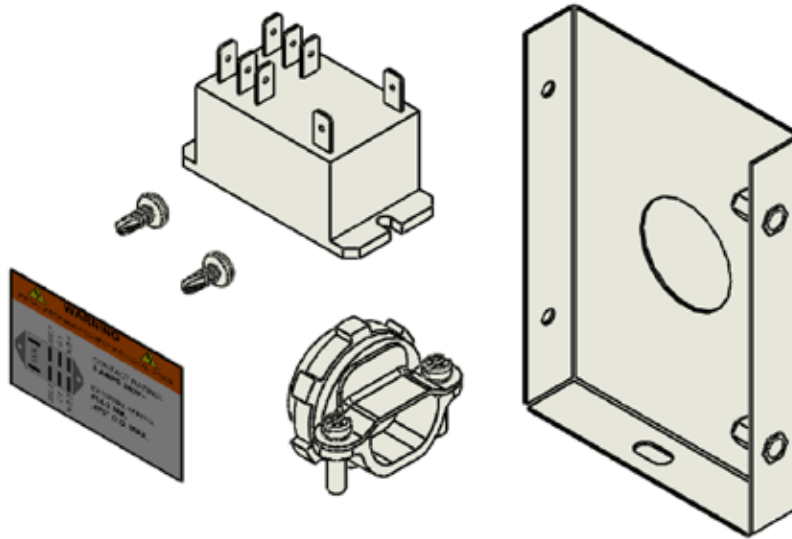




Your Solutions Partner

# INSTALLATION INSTRUCTIONS

## TSCM EXTERNAL HOOD INTERLOCK INSTRUCTIONS FOR DUKE KIT# 600384



### This kit contains:

- 512781 – Relay, 230V DPDT
- 512393 – Label, IVS, Warning
- 120161 – Harness, Jumper, External Hood, TSCM
- 513032 – Screw, 8-18 X 1/2" SS Tek
- 155419 – Connector, 1" Cable
- 120168 – Assy, Cord Mounting, Interlock Kit, TSCM

### Items required for this installation:

- Cross Tip screw driver
- 11/16" Open End or Line Wrench
- 1/2" Open End or Line Wrench

---

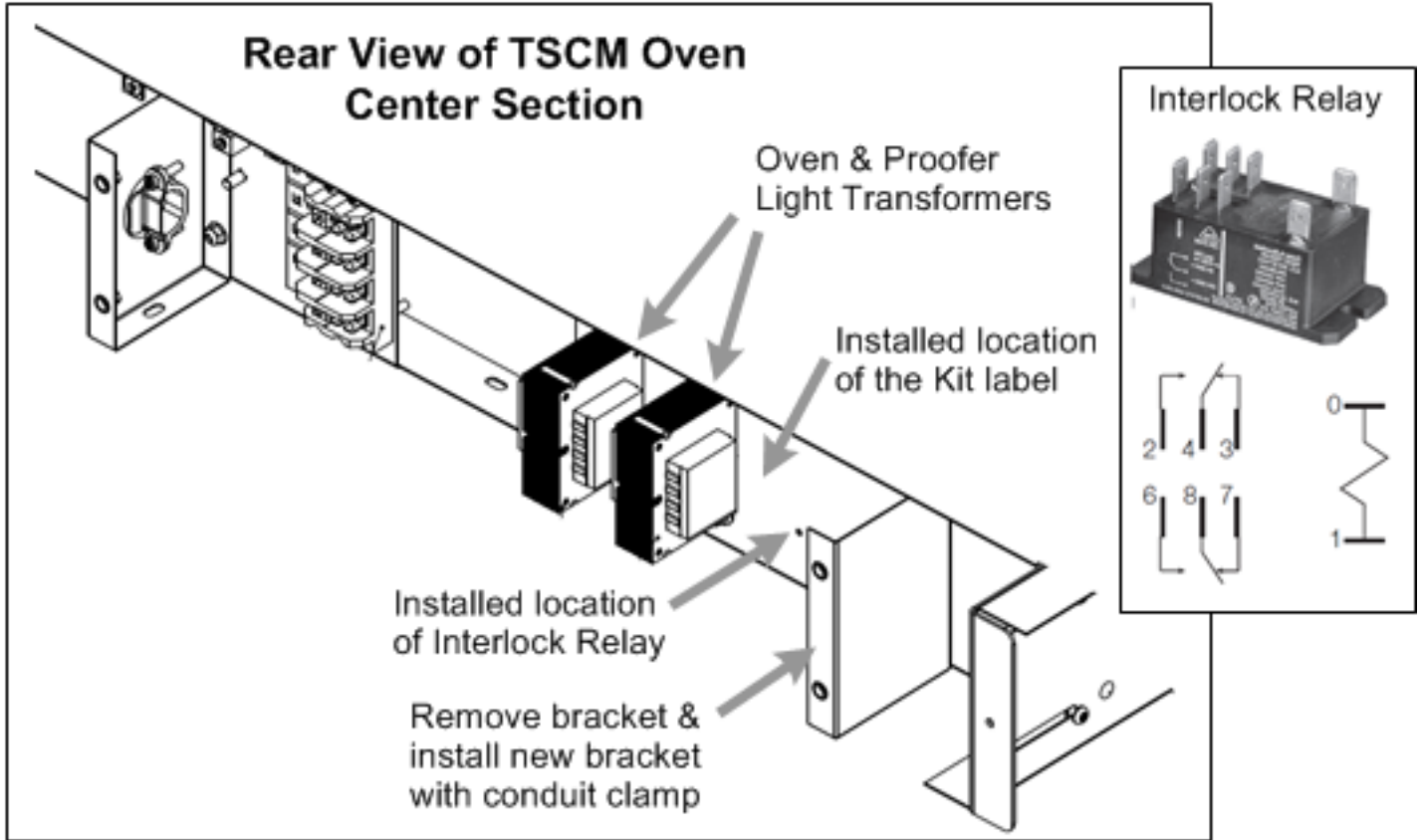
*This manual is Copyright © 2015 Duke Manufacturing Co. All rights reserved.  
Reproduction without written permission is prohibited. Duke is a registered  
trademark of the Duke Manufacturing Co.*

## Duke Manufacturing Co.

2305 N. Broadway  
St. Louis, MO 63102  
Phone: 314-231-1130  
Toll Free: 1-800-735-3853  
Fax: 314-231-5074

[www.dukemfg.com](http://www.dukemfg.com)

P/N 120160B  
05/05/2015



Instructions:

- Disconnect the TSCM Oven from the line supply. Employ lockout / tag out procedures.
- Remove the rear access cover for access to transformer connections; 4 screws.
- Disconnect the Yellow & Black cabinet wiring connections to the Oven Lights power transformer Primary winding. Do not disconnect the Proofer Lights power transformer has Gray & Black wiring connections.
- Interconnect the wiring jumper harness provided with the Kit between the Yellow & Black cabinet wiring & the Oven Lights power transformer Primary windings.
- Remove the right side bracket to the right of the mounted transformers replacing it with the new bracket with conduit clamp provided with this kit.
- Install the relay provided with the Kit to the rear panel with the provided fasteners between the transformers & the newly installed bracket.
- Connect the remaining two wires (Black & Yellow) to the Coil terminals ("0" & "1") of the relay provided with the Kit.
- Interconnection of the Interlock feature to an external hood system must comply with local building codes & requirements.

*NOTE: The relay provided with the Kit has Double Pole / Double Throw output connections or two sets of Common, Normally Open, & Normally Closed contacts using .250" x .032" Quick connect style terminations. The Installer of this Kit is responsible for terminations to connect to the relay output connection required for the unique external hood interlock requirements.*

*The output contacts of the relay provided with the Kit are specified for no greater than 5A load power interlock at up to 240V AC or DC.*

*The relay provided with this kit is enabled only when the TSCM Oven section is activated from the Oven's front panel control. Operation of the Kit's relay will be concurrent with Oven Lights operation after installation*

- Replace the rear access cover
- Reconnect line supply to the TSCM oven & verify operations of the Oven with interlock functions with the external hood system.



*Your Solutions Partner*

## **Duke Manufacturing Co.**

**2305 N. Broadway**

**St. Louis, MO 63102**

**Phone: 314-231-1130**

**Toll Free: 1-800-735-3853**

**Fax: 314-231-5074**

**[www.dukemfg.com](http://www.dukemfg.com)**