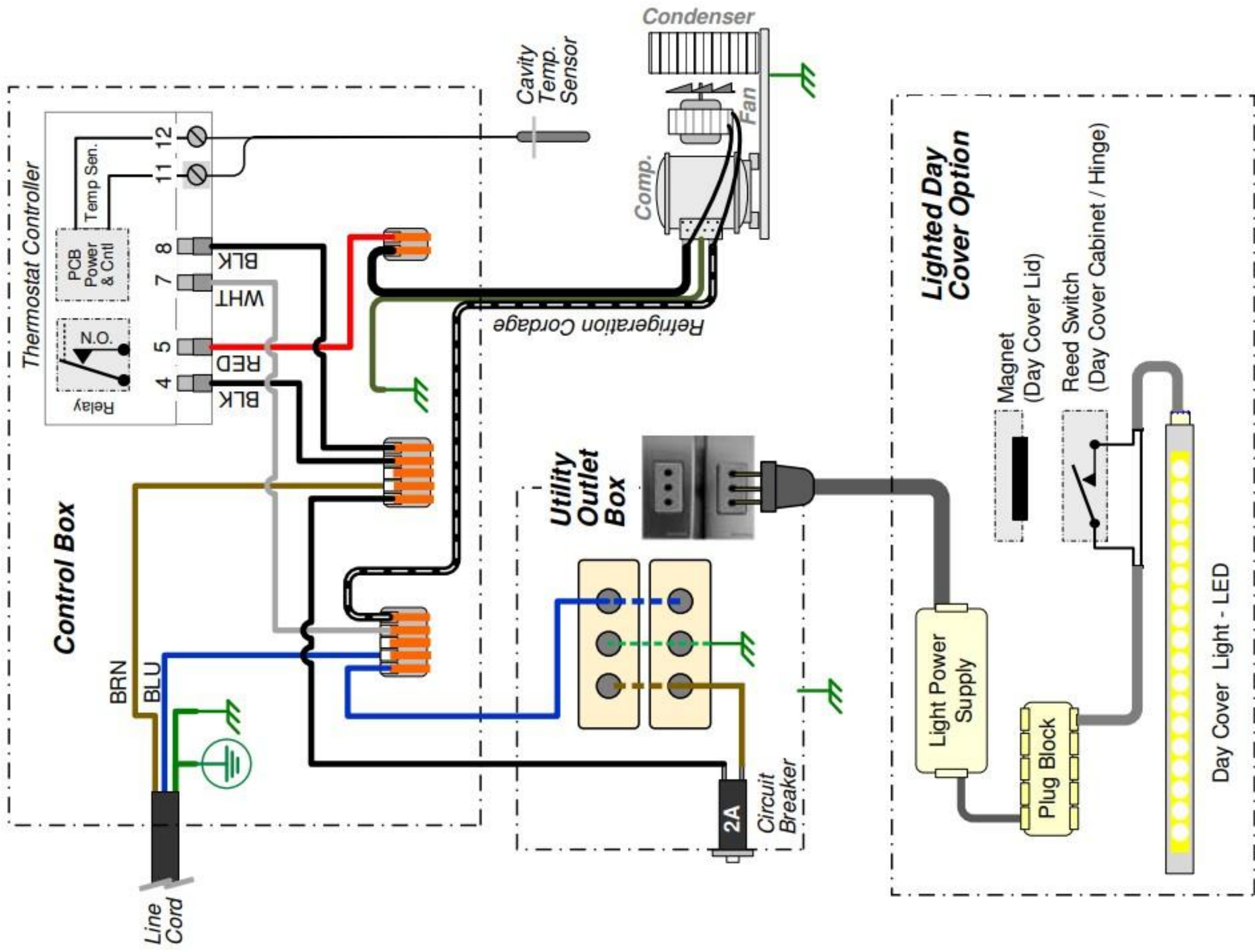


Wire Diagram - Tri-Channel 230V 50Hz (R290)

ELC0395 Rev. A



Wire Diagram - Tri-Channel 230V 50Hz (R290)

ELC0395 Rev. A

