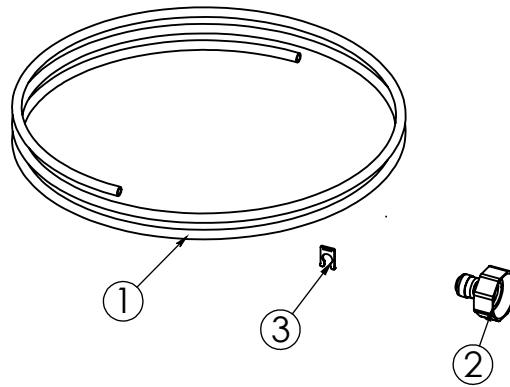




Your Solutions Partner

# INSTALLATION INSTRUCTIONS

## WATER KIT INSTRUCTIONS FOR DUKE KIT# 600181



ITEM NO.	PART NUMBER	DESCRIPTION	QTY.
1	512406	TUBING, 1/4" UK WATER KIT, 10ft (3048 mm)	1
2	512531	CLIP, RED LOCKING 1/4" TUBE	1
3	512402	ADAPTER, TAP, 1/4" TUBE OD X 3/4" BSP	1

---

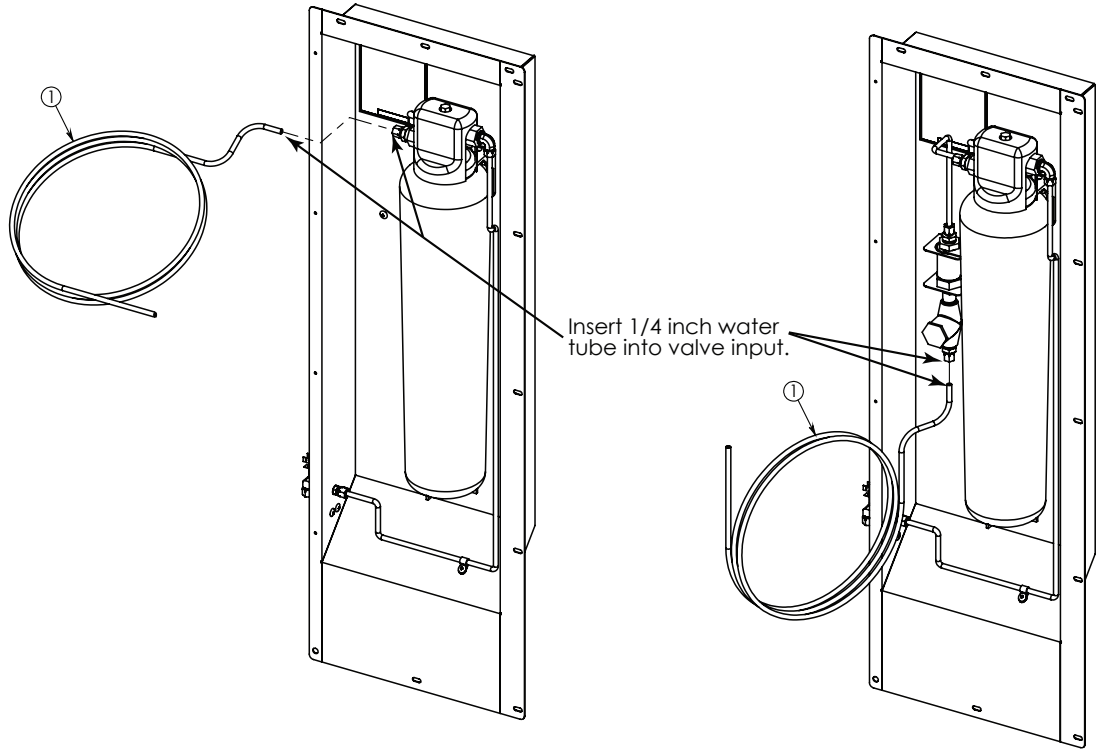
*This manual is Copyright © 2011 Duke Manufacturing Co. All rights reserved.  
Reproduction without written permission is prohibited. Duke is a registered  
trademark of the Duke Manufacturing Co.*

### **Duke Manufacturing Co.**

**2305 N. Broadway  
St. Louis, MO 63102  
Phone: 314-231-1130  
Toll Free: 1-800-735-3853  
Fax: 314-231-5074  
[www.dukemfg.com](http://www.dukemfg.com)**

Proofer Oven With Out  
Optional Back Flow  
Preventer

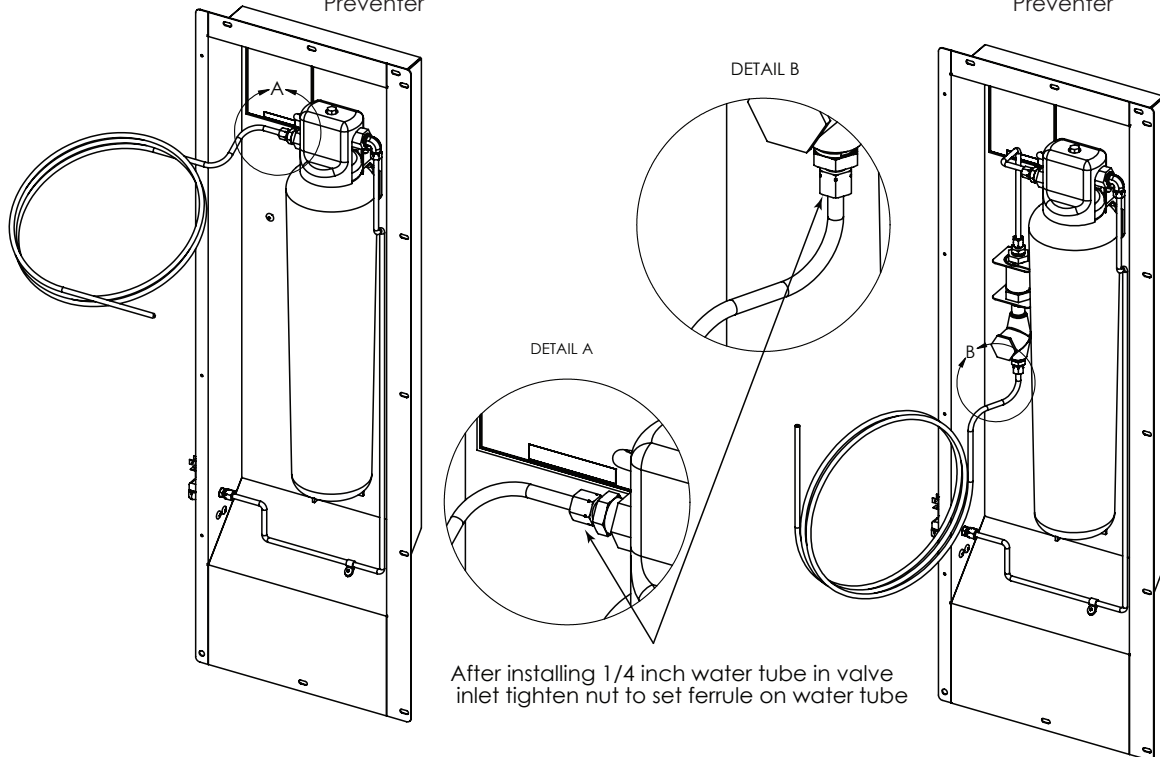
Proofer Oven With  
Optional Back Flow  
Preventer



**STEP 1**

Proofer Oven With Out  
Optional Back Flow  
Preventer

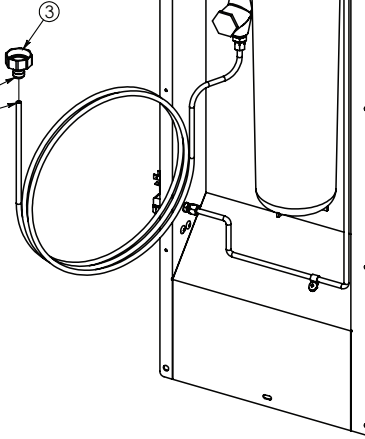
Proofer Oven With  
Optional Back Flow  
Preventer



**STEP 2**

**STEP 3**

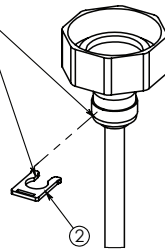
Install 1/2 inch BSP threaded coupler to 1/4 inch water tubing (push hard)



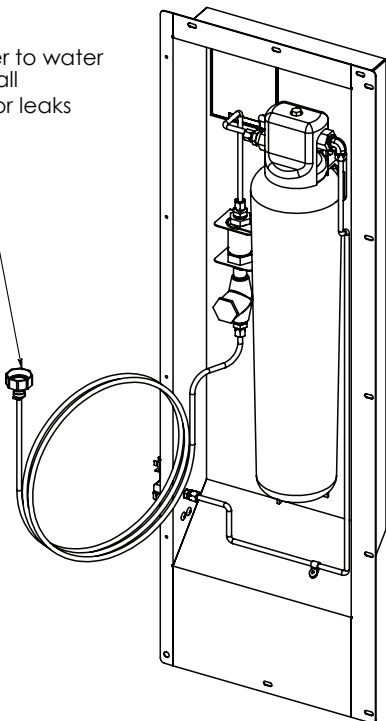
**STEP 4**

After installing 1/2 inch BSP threaded coupler to 1/4 inch water tubing install lock clip

DETAIL C



Attach coupler to water supply, check all connections for leaks



**STEP 5**



*Your Solutions Partner*

## **Duke Manufacturing Co.**

**Duke Corporate, Canada, Latin America**  
2305 N. Broadway  
St. Louis, MO 63102  
Phone: 314-231-1130  
Toll Free: 800-735-3853  
Fax: 314-231-5074  
www.dukemfg.com

**Duke EMEA - Europe, Middle East, Africa, Russia**  
Duke Manufacturing CR, s.r.o.  
Zdebradska 92  
Jazlovice, Ricany  
Building number DC 4 on the  
ProLogis Park Prague D1 West  
Prague 251 01  
Czech Republic  
Phone: +420 257 741 033  
Fax: +420 257 741 039

**Duke EMEA – UK, Ireland, Nordic Countries**  
Duke Manufacturing UK Ltd.  
Unit 10, Greendale Business Park  
Woodbury Salterton  
Exeter, EX5 1EW  
Phone: +44 (0) 1395 234140  
Fax: +44 (0) 1395 234154

**Duke Asia Pacific**  
Duke Manufacturing  
No.3 Building  
Lane 28, Yu Lv Road  
Malu Town, Jiading District  
Shanghai 201801, China  
Phone: +86 21 59153525 / 59153526  
Fax: +86 21 33600628