

# MINIPRO accessories

## Parts list

Code List \$ Price

### Food Processor Bowl

Equipped cover	2880	248.31
Blade	2881	82.78
Bowl	2882	58.44
Base	1178	23.13

### Equipped lid ..... 2880

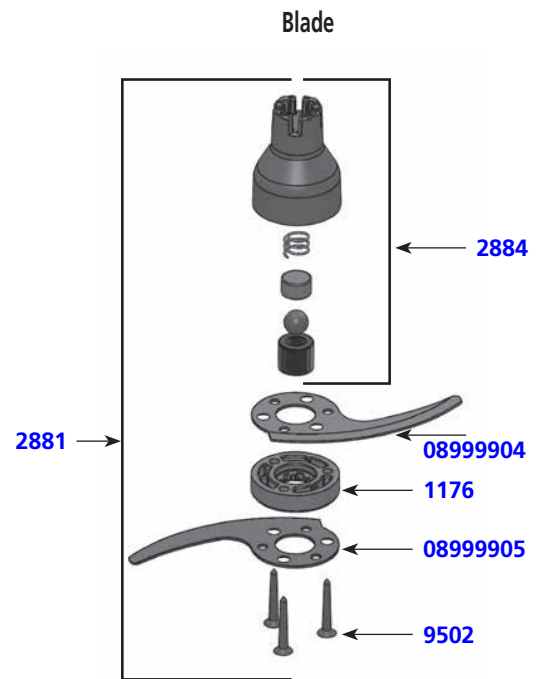
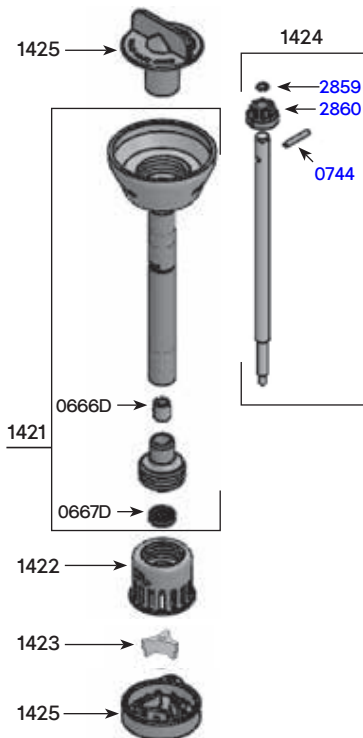
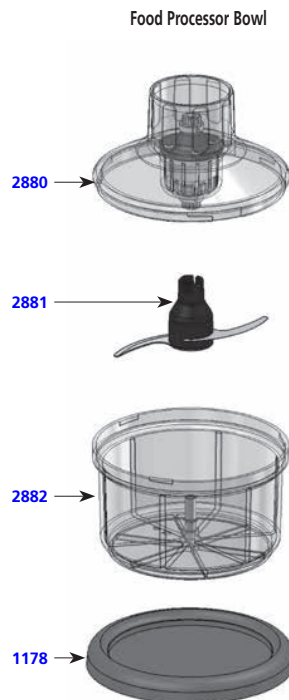
Equipped upper shaft	2885	77.89
Handle screws (4)	2886	7.55
Reduction plate + ring	2887	29.70
Lid + reduction gear	2888	150.93
O. ring (x4)	2871	6.57
O. ring	0658	7.79

### Blade ..... 2881

Equipped cone	2884	31.16
A blade	08999904	26.80
Blade holder	1176	10.23
B blade	08999905	26.80
Set of screws (x3)	9502	0.84

### Blender ..... AC560

Self-lubricating ring	0666D	8.29
Waterproof seal	0667D	21.01
Pin (3 x 20)	0744	3.05
Foot assembly	1421	155.08
Blender bell	1422	80.43
Blender blade	1423	38.55
Shaft	1424	53.82
Blender key	1425	23.46
Driving shaft joint	2859	1.75
Coupling hub	2860	15.95



### Equipped lid

