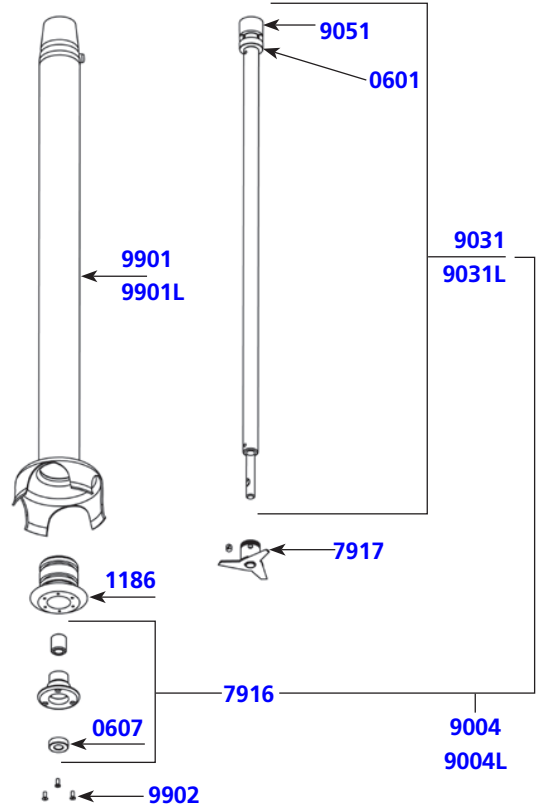


MF 90/2000 & MFAP 90/2000 foot

Parts list	Code	List \$ Price
Ball bearing	0601	19.61
Waterproof seal	0607	25.60
Lower bearing assembly support	1186	29.33
Emulsifying blade	7910	83.05
Lower bearing assembly	7916	47.53
Cutter blade w/screw	7917	51.95
Lower bearing screws (3)	7950	1.72
Shaft. lower bearing & cutter assembly	9004	234.66
Shaft	9031	173.64
Coupling casing + pin	9051	20.74
Tube assembly	9901	287.58
Lower ball bearing screws inox (3)	9902	1.72
M 90 Complete Mixer tool (see machine catalog)	AC002	-

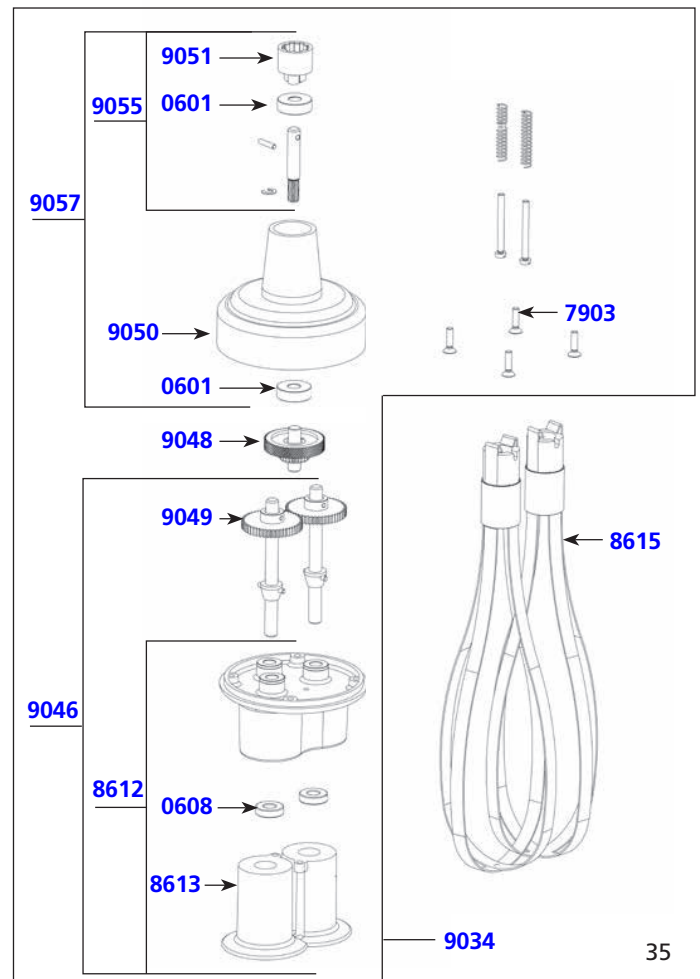


M100 foot

Parts list	Code	List \$ Price
Shaft. lower bearing & cutter assembly	9004L	269.80
Shaft	9031L	189.26
Tube assembly	9901L	328.99

MF 90/2000 & MFAP 90/2000 whisk tool

Parts list	Code	List \$ Price
Ball bearing	0601	19.61
Waterproof seal	0608	26.32
Pin 3 X 20	0744	3.05
Pin 3 X 14	0745	2.75
Spacer screws (4)	7903	6.37
Holder + plastic ejector + seal	8612	89.41
Plastic ejector (pair)	8613	38.17
Whisk (Pair)	8615	203.98
Reduction gear assembly	9034	404.84
Lower casing w/o middle gear	9046	335.68
Central double gear & shaft	9048	142.45
Single gear (2)	9049	115.79
Upper plastic casing	9050	118.15
Coupling casing + pin	9051	20.74
Equipped upper shaft	9055	98.40
Complete upper casing	9057	153.52
F 90 Complete Whisk tool (see machine catalog)	AC003	-



Wall bracket

Parts list	Code	List \$ Price
Wall bracket	0880	99.52