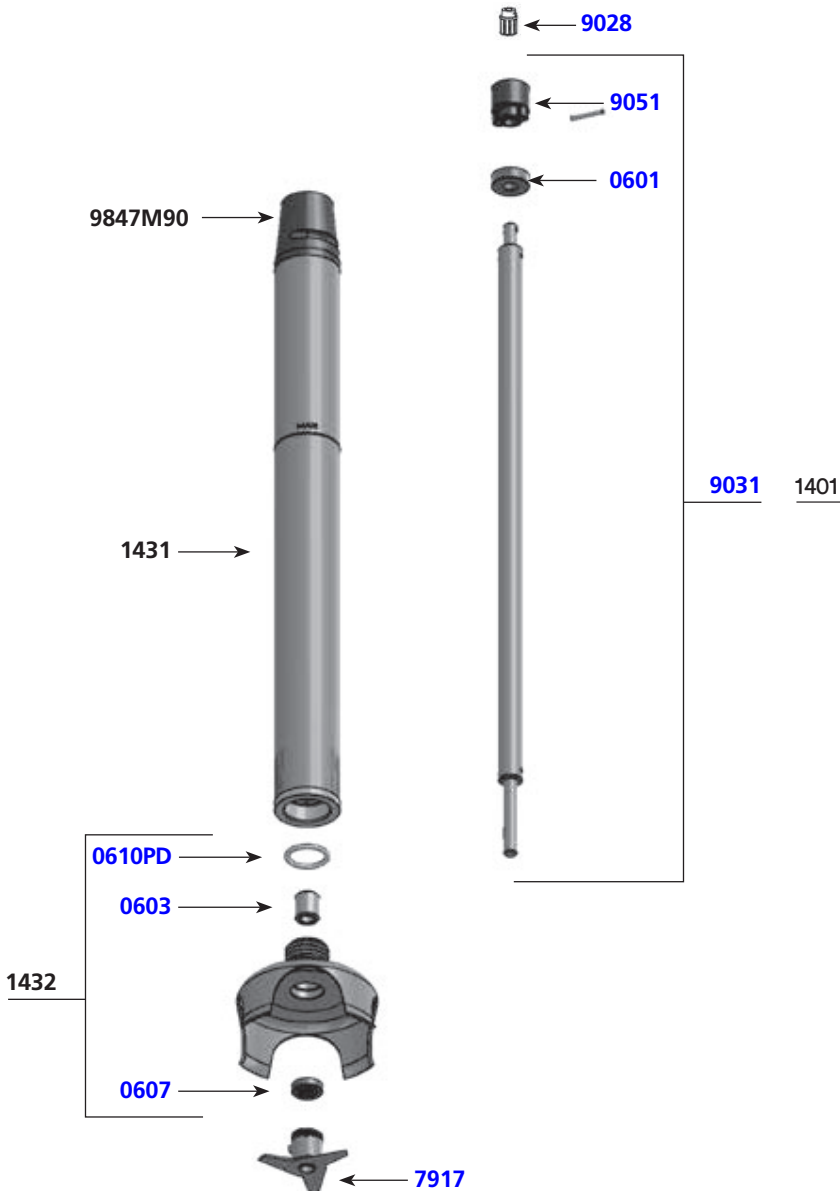


MF 90/2000 & MFAP 90/2000

MF 90/2000 & MFAP 90/2000 foot - Ref **AC002.H**
(Complete attachment)

Parts list	Code	List \$ Price
Ball bearing	0601	19.61
Self-lubricating ring	0603	4.57
Waterproof seal	0607	25.60
O. ring	0610PD	4.36
Tube assembly + bearing	1431	303.11
Bell	1432	285.79
Cutter blade w/ screw	7917	51.95
Coupler for armature	9028	13.08
Shaft	9031	173.64
Coupling casing + pin	9051	20.74
Black tip	9847.M90	80.82



PIED BLENDER MASTER - Ref **AC070**
(Complete attachment)

Parts list	Code	List \$ Price
Ball bearing	0601	19.61
Seals for bearing assembly (2)	0618	6.00
Self-lubricating ring	0666	18.80
Waterproof seal	0667	40.05
Foot assembly	1401	296.99
Blender bell	1402	139.80
Cutter blade	1403	68.67
Shaft	1404	188.56
Blender key	1405	25.83
Coupler for armature	9028	13.08
Coupling casing + pin	9051	20.74
Black tip	9847.M90	80.82

