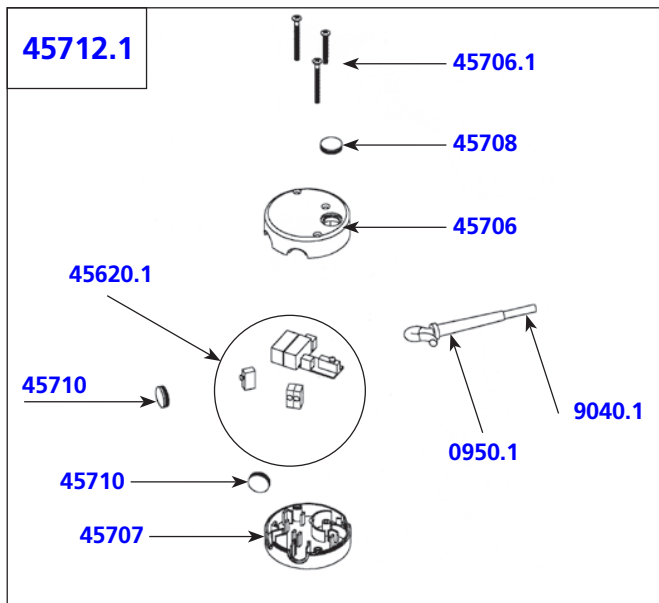
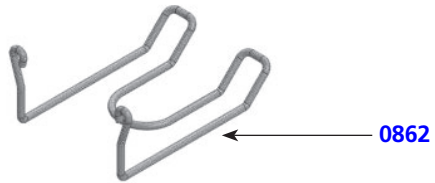
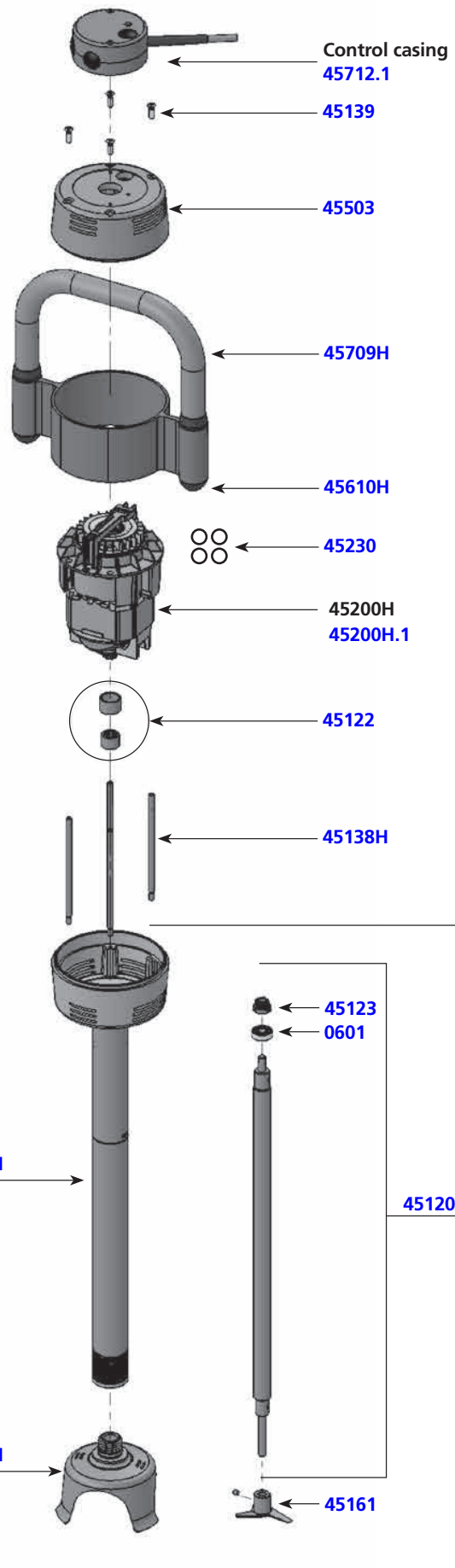
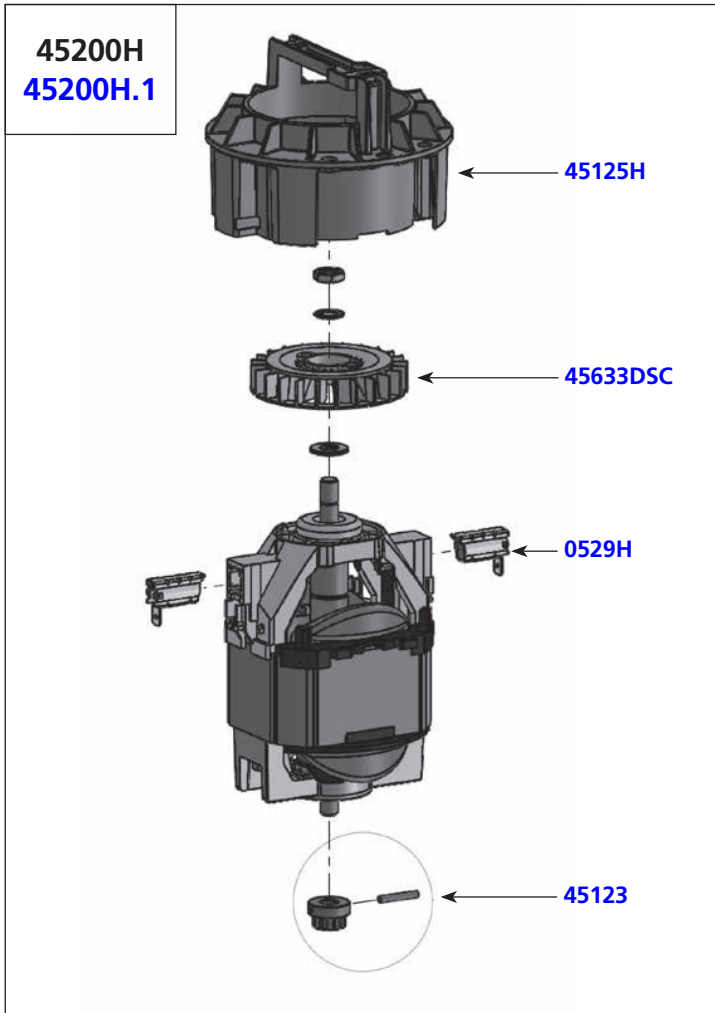


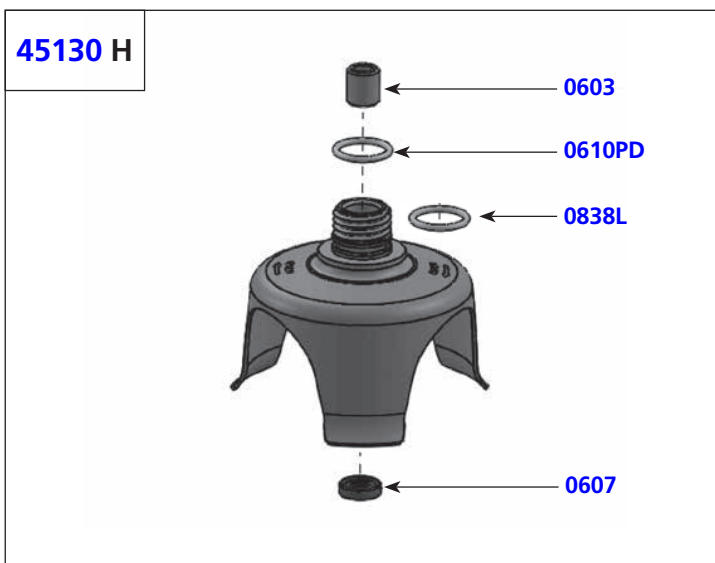
SMX 650 ES

Parts list	Code	List \$ Price
Ball bearing	0601	19.61
Wall bracket	0862	28.71
Strain relief 115 V	0950.1	3.44
Shaft & ball bearing	45120 H	222.79
Coupling sleeves	45122	33.34
Motor & shaft drive sprocket	45123	31.02
Removable complete bell	45130 H	494.59
Spacer rods (4)	45138 H	24.40
Spacer screws (4)	45139	3.98
Cutter blade w/ screw	45161	57.26
Motor 230 V	45200H	875.95
Motor 115 V	45200H.1	875.95
Squeezing washer (4)	45230	8.47
Top housing	45503	306.31
Handle cap (2)	45610H	8.87
Circuit board 115 V	45620.1	180.63
Top housing (orange plastic piece)	45706	27.41
Screws control case set	45706.1	2.89
Lower housing (orange plastic piece)	45707	25.20
Handle cap protector (unit)	45708	4.47
Sleeve & complete handle & label & cap	45709H	184.24
Handle cap protector (unit)	45710	4.26
Complete control casing 115 V	45712.1	293.10
Foot assembly w / lower bearing	45720H	570.65
Complete foot assembly	45722H	854.49
Power cord 115 V	9040.1	49.34





Parts list	Code	List \$ Price
Brushes (2)	0529H	23.47
Motor & shaft drive sprocket	45123	31.02
Fan housing Plastic	45125H	205.16
Plastic Fan	45633DSC	23.66



Parts list	Code	List \$ Price
Self-lubricating ring	0603	4.57
Waterproof seal	0607	25.60
O. ring	0610PD	4.36
Friction washer	0838L	7.25