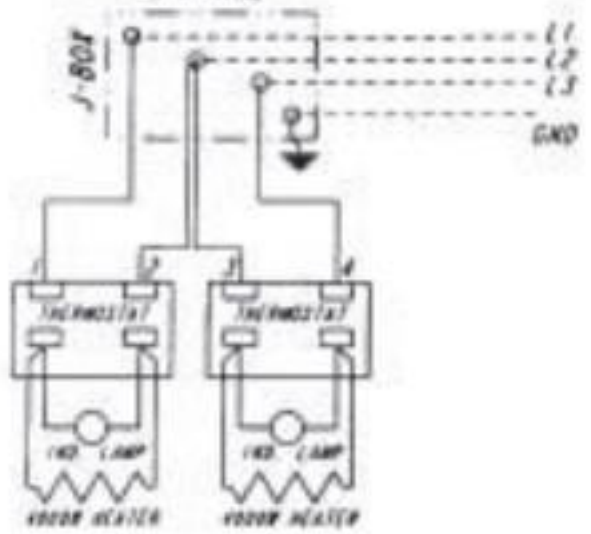
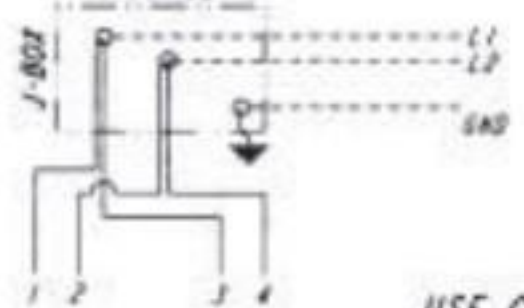


CONNECTIONS  
3-PHASE



CONNECTIONS  
1-PHASE



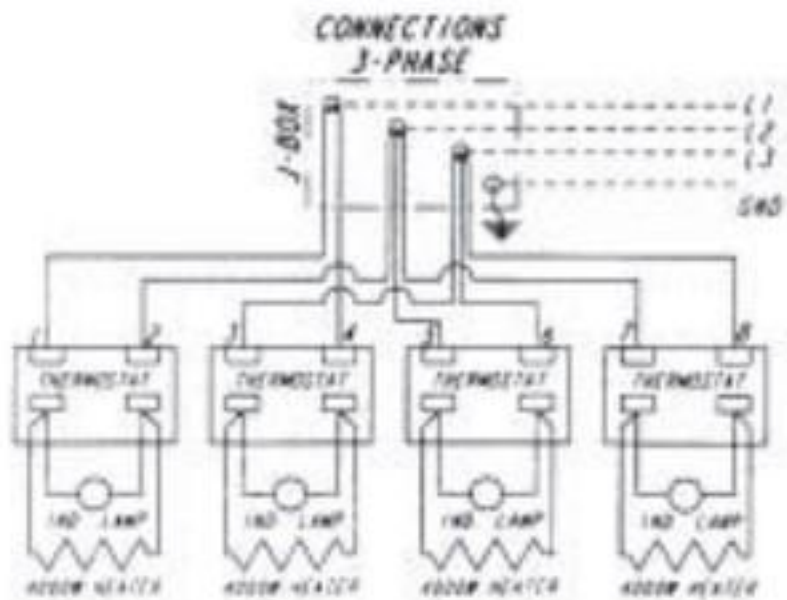
USE COPPER CONDUCTORS ONLY  
SUITABLE FOR AT LEAST 90° C

FIELD WIRING - FOR POWER SUPPLY USE ONLY

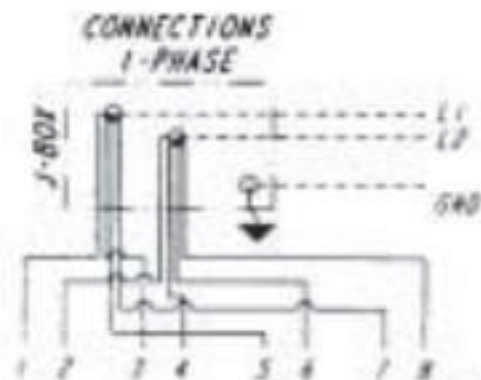
	208V 3Ø 6000W			240V 3Ø 8000W			208V 1Ø	240V 1Ø
	L1	L2	L3	L1	L2	L3		
AMPS	14.5	29	14.5	17	33	17	29	33
FEED SIZE	12	8	12	10	8	10	10	8

MODEL: EGH-24





**MODEL: EGH-48**



*USE COPPER CONDUCTORS ONLY  
SUITABLE FOR AT LEAST 90° C*

**FIELD WIRING - FOR POWER SUPPLY USE ONLY**

	208V 3Ø 12000W			240V 3Ø 16000W			208V 1Ø	240V 1Ø
	L1	L2	L3	L1	L2	L3		
<b>AMPS</b>	29	43	43	33	50	50	50	67
<b>FEED SIZE</b>	8	6	6	8	6	6	4	4