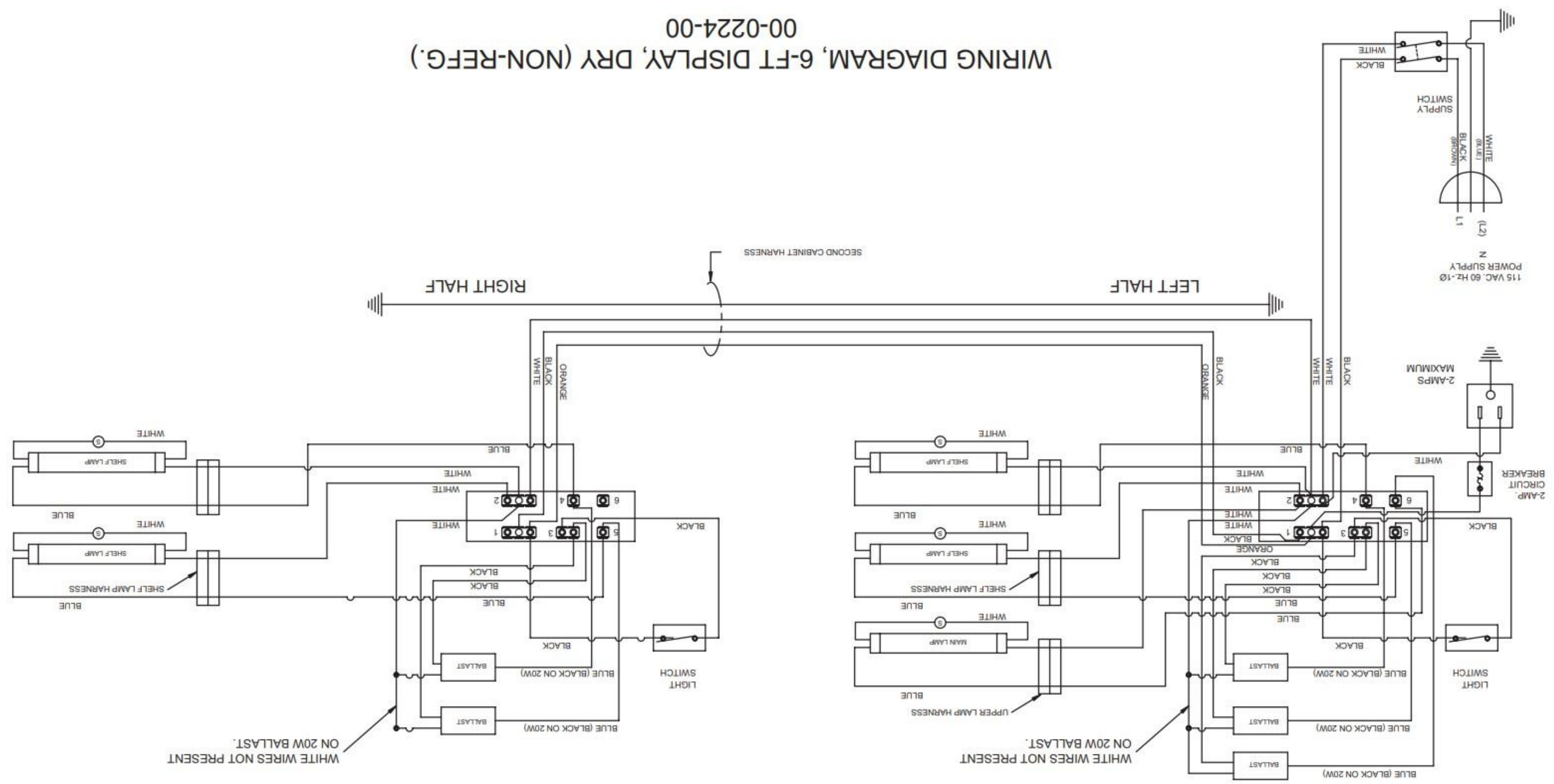


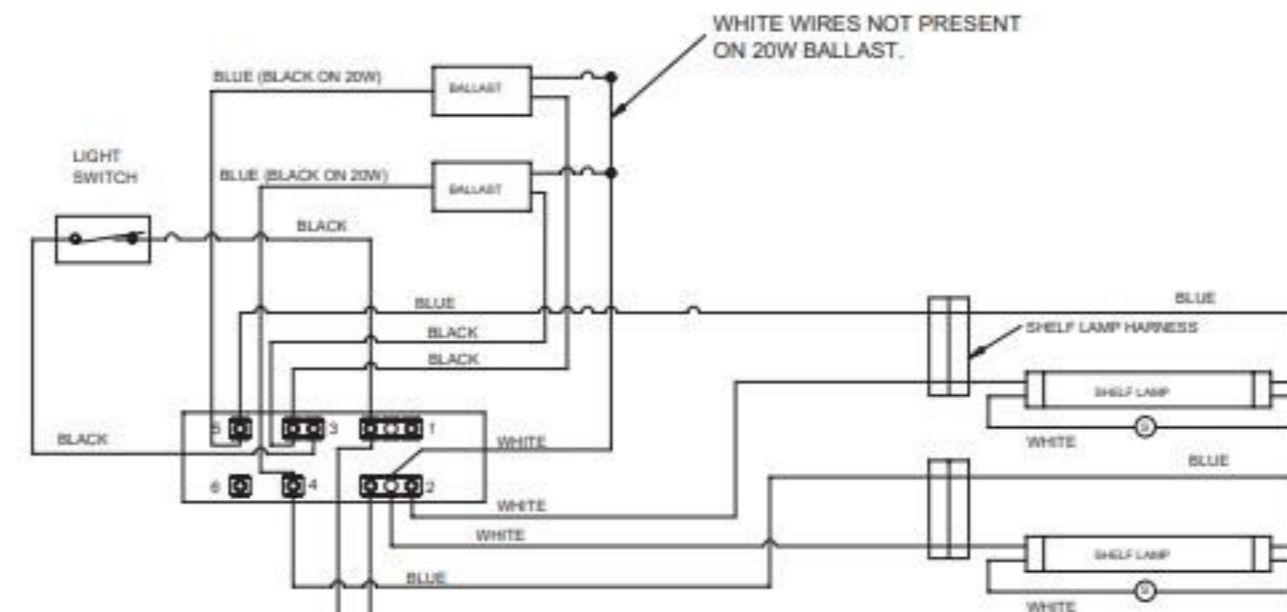
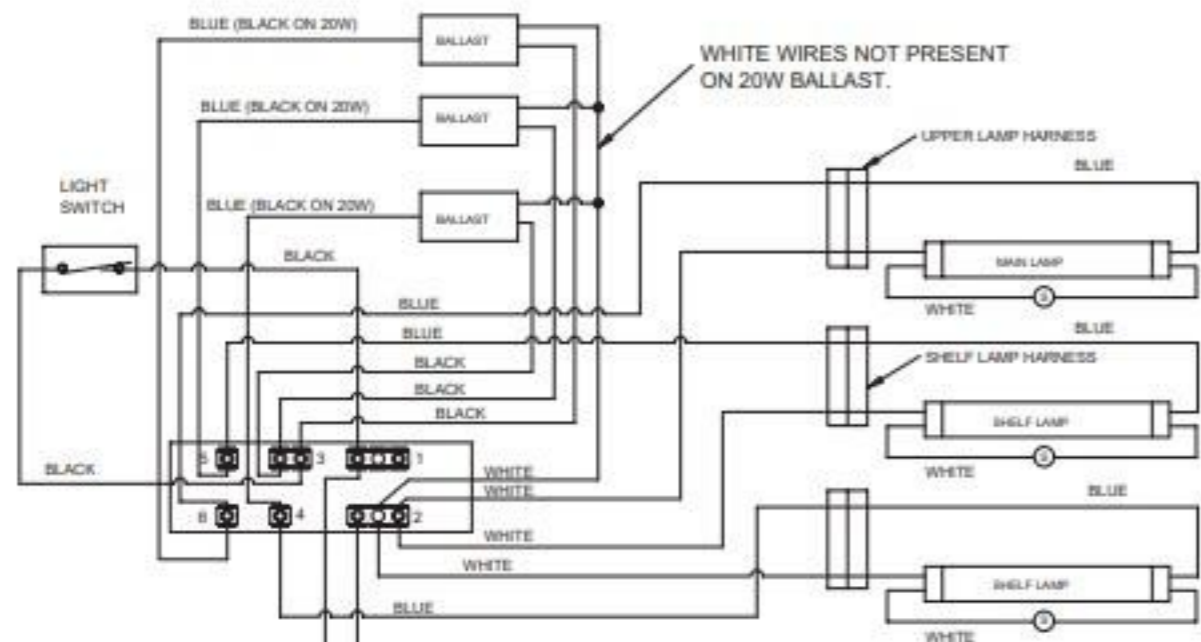
220 VAC, 50 Hz. - 1Ø
 OR
 220 VAC, 60 Hz. - 1Ø
 POWER SUPPLY FOR
 EXPORT MODELS ONLY
 SEE SERIAL PLATE FOR
 ELECTRICAL INFORMATION.

WIRING DIAGRAM, DISPLAY, LOW TEMP.
 IL-2908B

WIRING DIAGRAM, 6-FT DISPLAY, DRY (NON-REFG.)

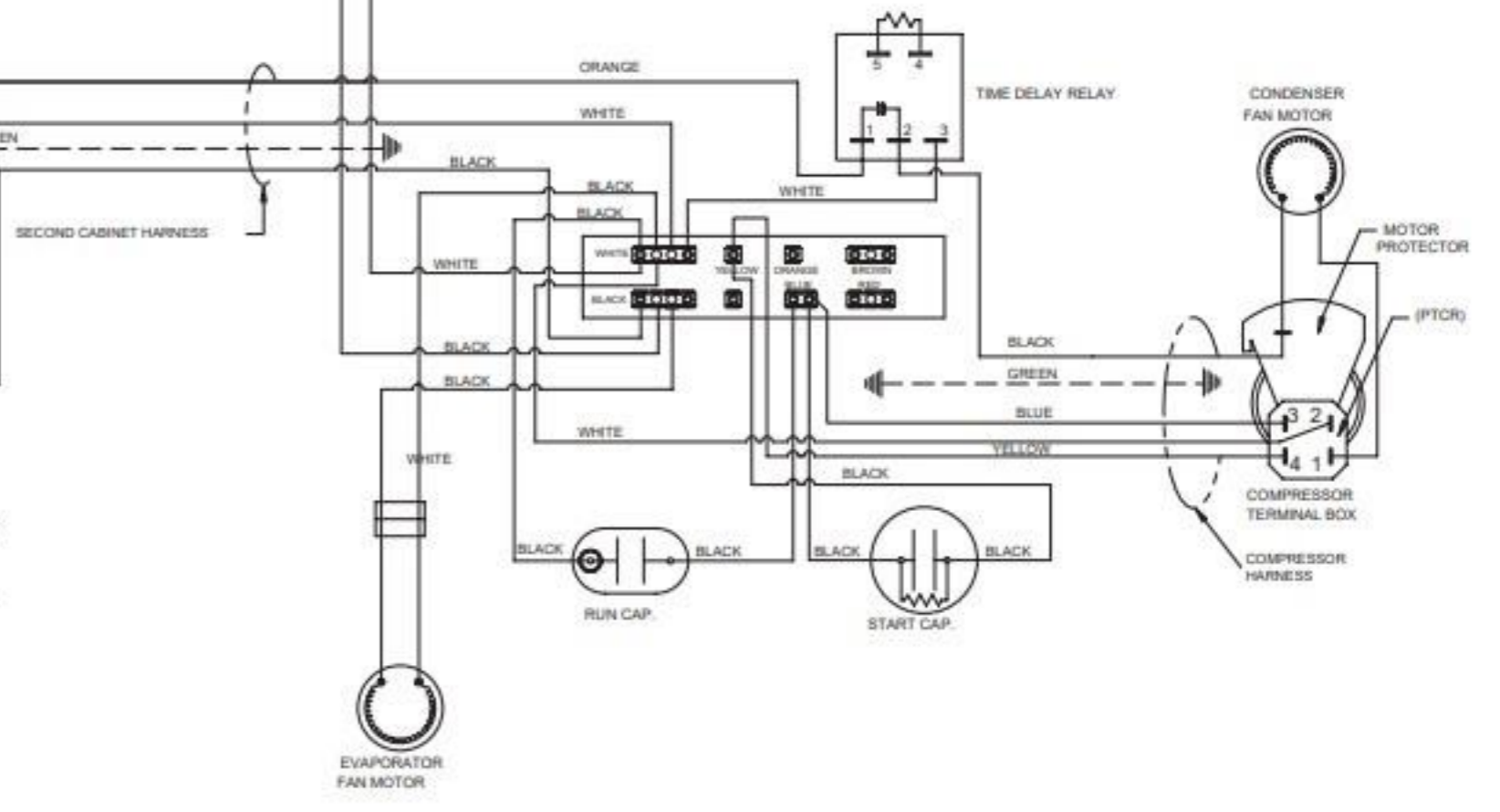
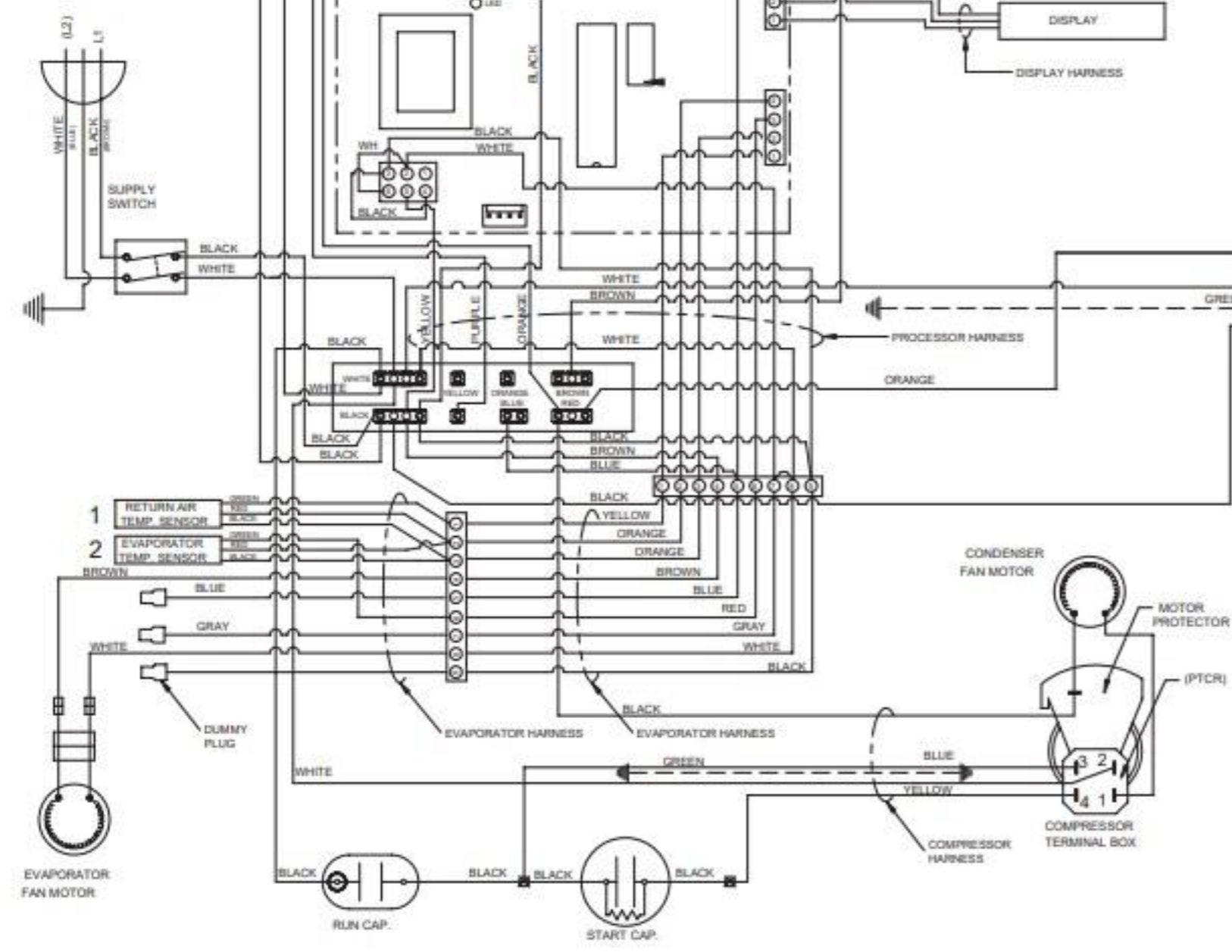
00-0224-00

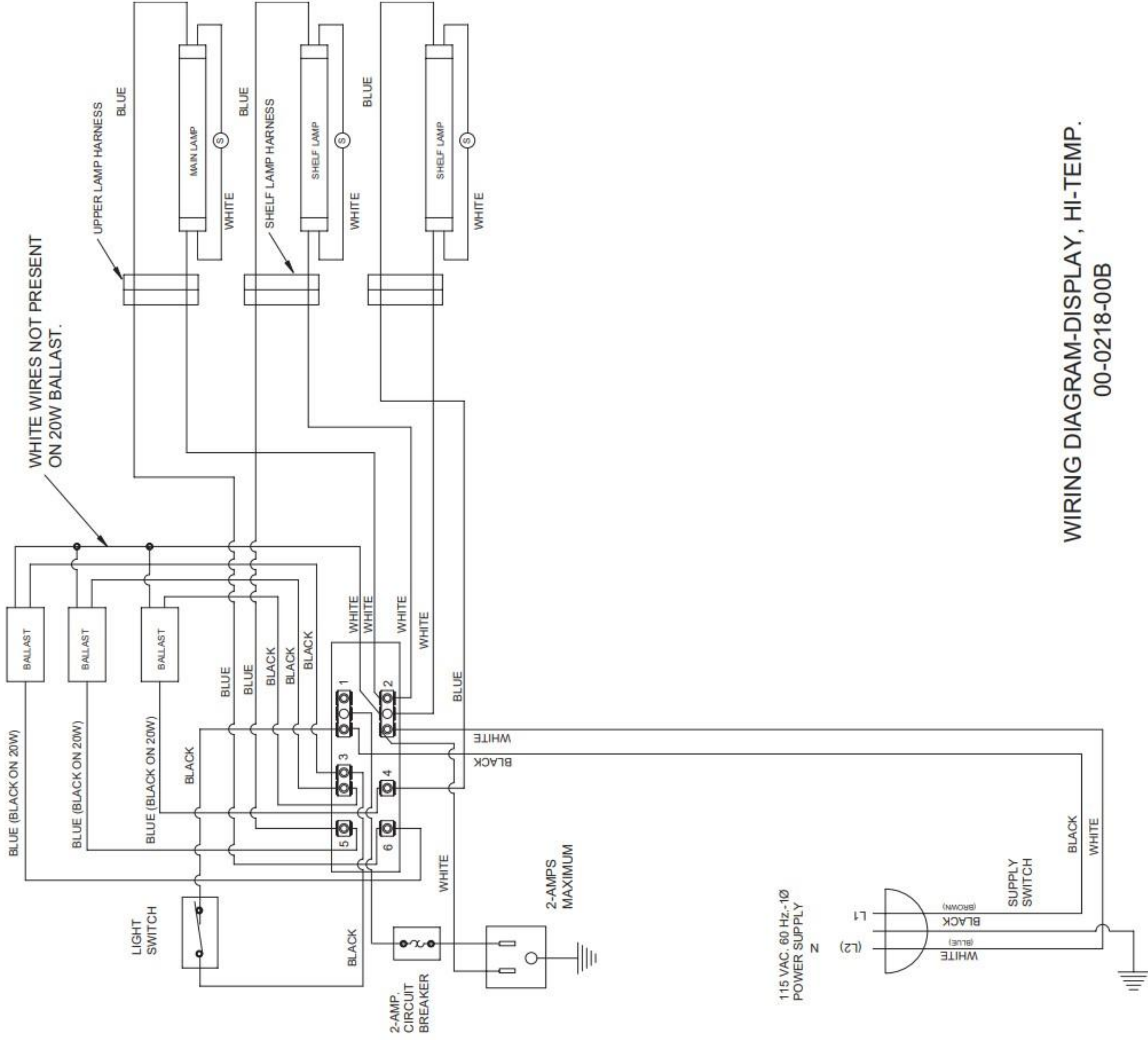




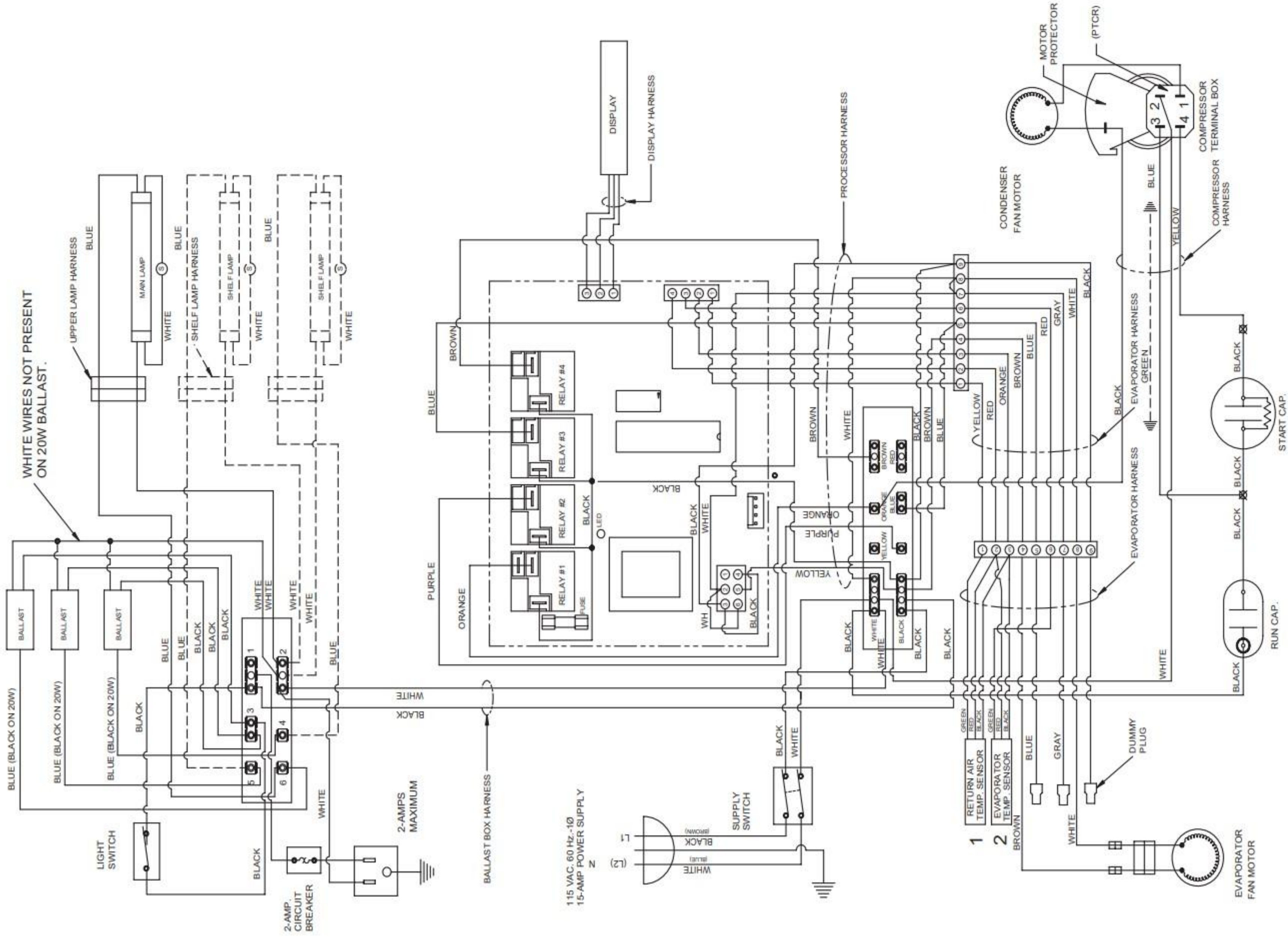
WIRING DIAGRAM, 6-FT DISPLAY, MED-TEMP.
00-0225-00

115 VAC, 60 Hz-1Ø
20-AMP, POWER SUPPLY



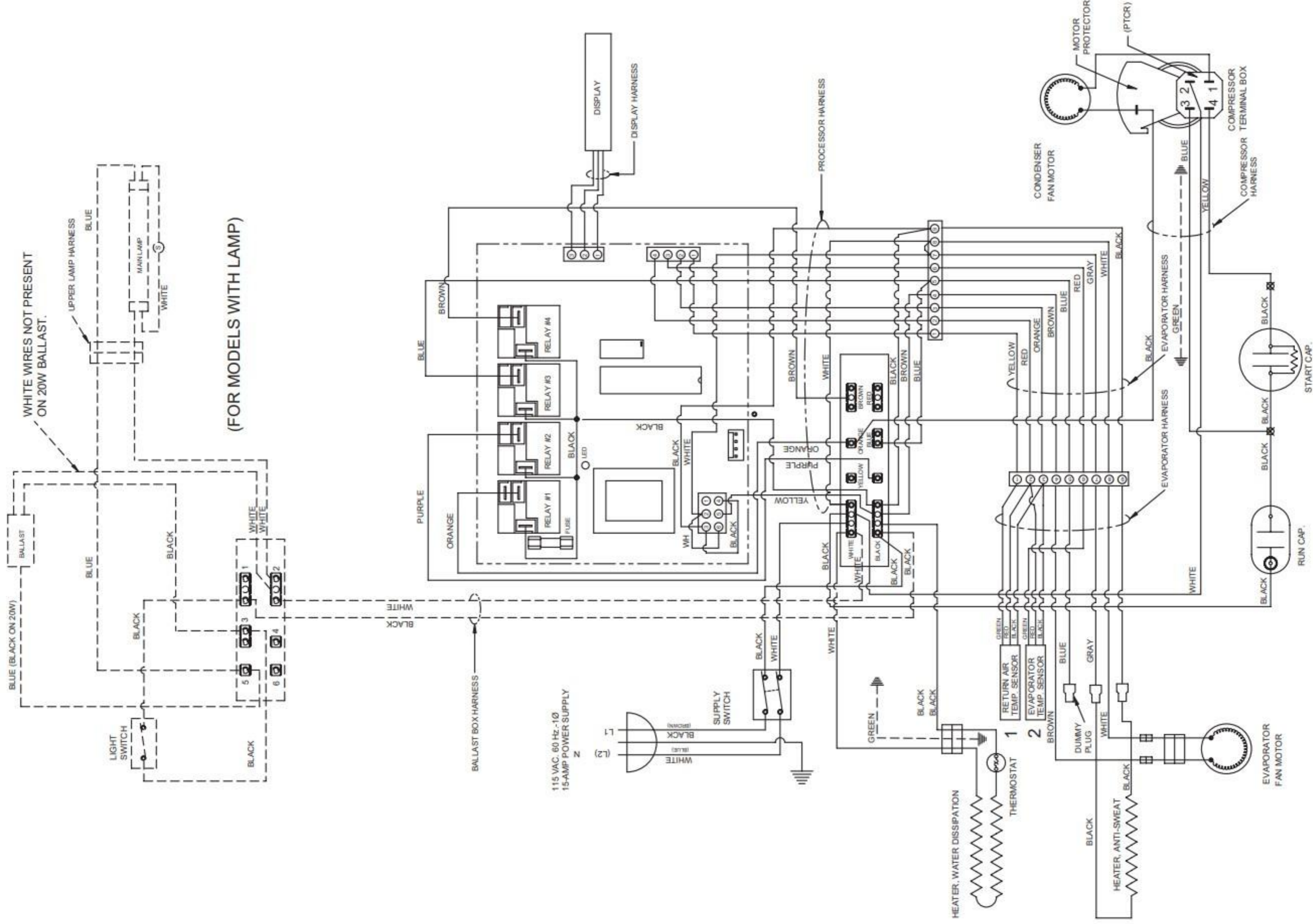


WIRING DIAGRAM-DISPLAY, HI-TEMP.
00-0218-00B



WIRING DIAGRAM-DISPLAY, MED-TEMP.

00-0217-00



(FOR MODELS WITH LAMP)

WHITE WIRES NOT PRESENT ON 20W BALLAST.