



## SAFETY & OPERATING INSTRUCTIONS



**700**



**700T**

### CROWN PUNCH CAN OPENER, Models 700 & 700T

---

**⚠ WARNING**

**READ AND UNDERSTAND THIS MANUAL AND ALL INSTRUCTIONS THIS OPENER.**

---



319 Queen City Park Road, Burlington, VT 05401, USA 800-772-2126 [www.edlundco.com](http://www.edlundco.com)  
An ISO 9001:2015 Company

Table of Contents

CHAPTER 1 - INTRODUCING THE EDLUND CROWN PUNCH CAN OPENER..... 1  
    Conventions used in this manual .....1  
    Specifications for the Edlund CROWN PUNCH CAN OPENER, Model 700.....2

CHAPTER 2 - GENERAL SAFETY RULES ..... 4  
    Labels                   4  
    Operating the Opener Safely .....5  
    Additional Information and Potential Changes .....6

CHAPTER 3 - SETTING UP YOUR EDLUND CROWN PUNCH CAN OPENER ..... 7  
    Setup and Operation of the EDLUND CROWN CAN OPENER.....7  
    EDLUND CROWN PUNCH CAN OPENER Controls and Features.....8

CHAPTER 4 - MAINTAINING THE EDLUND CROWN PUNCH CAN OPENER ..... 9  
    Adjusting the Head     9  
    Changing Tooling     10  
    Crown Punch Cleaning 11

CHAPTER 5 - TROUBLESHOOTING ..... 12  
    Troubleshooting     12

CHAPTER 6 - PARTS LISTS, DIAGRAMS, AND WARRANTY..... 14  
    Parts List - CROWN PUNCH CAN OPENER, Models 700 & 700T .....14

## CHAPTER 1 - INTRODUCING THE EDLUND CROWN PUNCH CAN OPENER

---

This manual will help you set up and safely operate your new Edlund CROWN PUNCH CAN OPENER. Careful adherence to the safety and operating instructions in this manual will ensure many years of productive use. Please let us know of any questions you may have. To expedite your call, please have your serial number and/or order number handy. For technical assistance, please call Toll-Free 1-800-772-2126 and one of our Technical Support Representatives will be happy to help you.

### Conventions used in this manual

---

#### **WARNING** (ORANGE)

THIS INDICATES A POTENTIALLY HAZARDOUS SITUATION, WHICH, IF NOT AVOIDED, COULD RESULT IN DEATH OR SERIOUS INJURY.

---

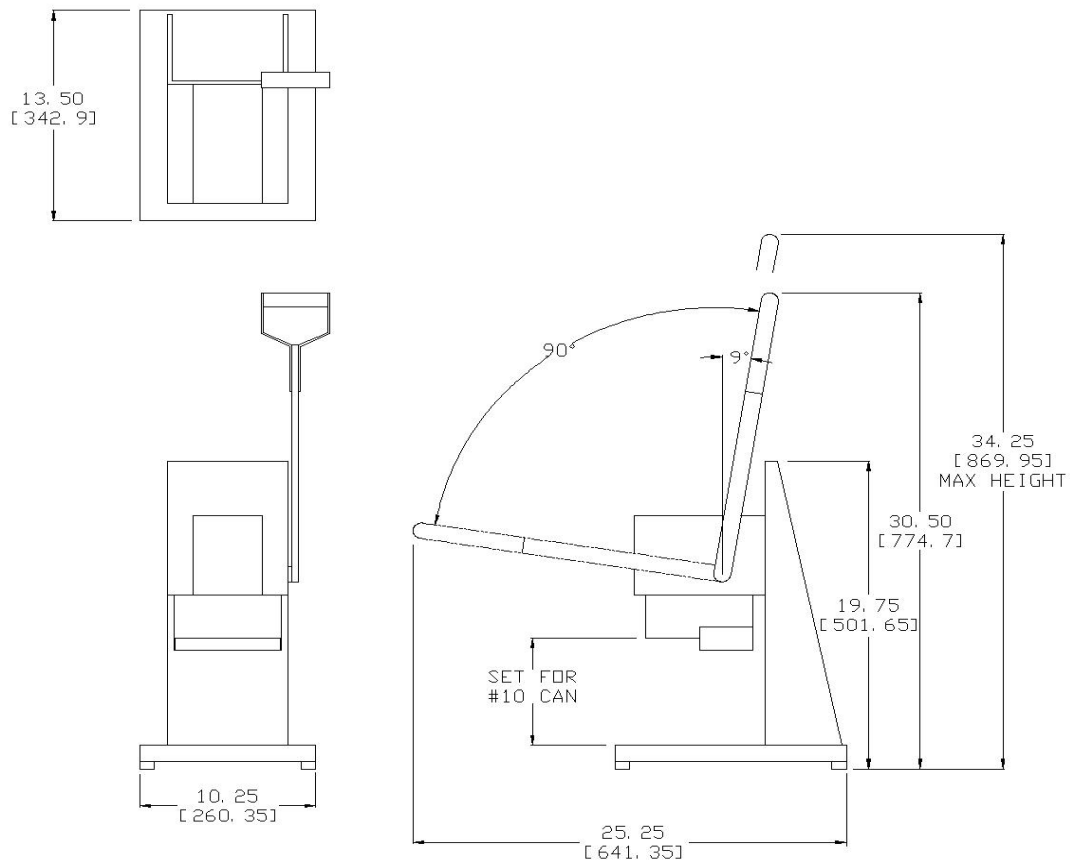
---

#### **CAUTION** (YELLOW)

THIS INDICATES A POTENTIALLY HAZARDOUS SITUATION, WHICH, IF NOT AVOIDED, MAY RESULT IN MINOR OR MODERATE INJURY.

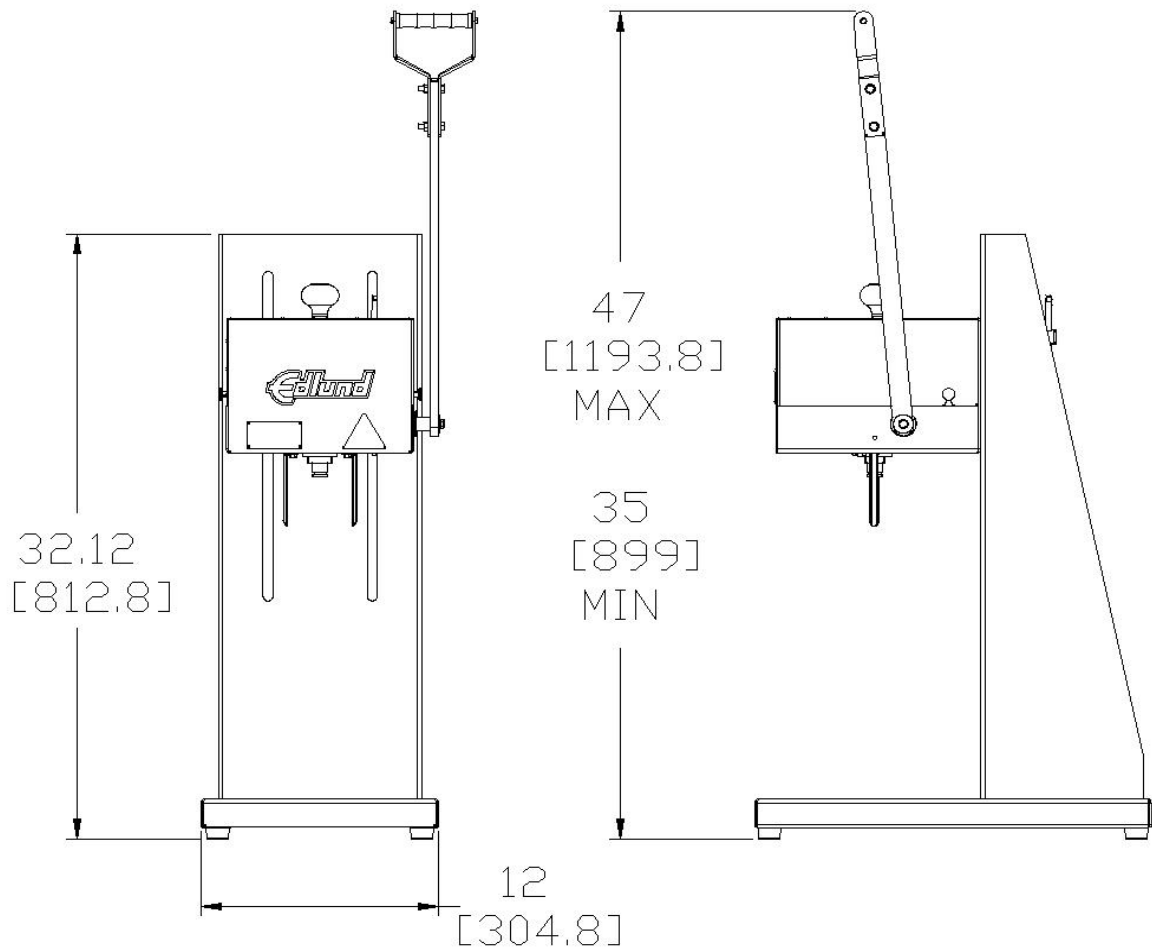
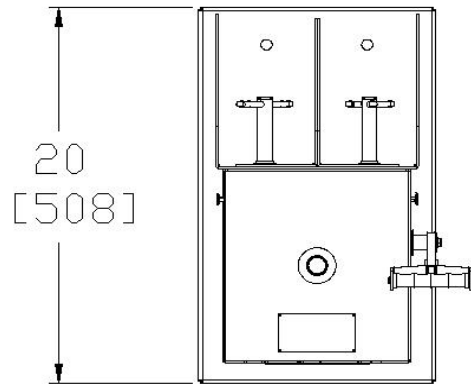
---

## Specifications for the Edlund CROWN PUNCH CAN OPENER, Model 700



**MODEL 700**

# Specifications for the Edlund CROWN PUNCH CAN OPENER, Model 700T



**MODEL 700T**

## CHAPTER 2 - GENERAL SAFETY RULES

### **⚠ WARNING**

READ THIS SAFETY AND OPERATING MANUAL BEFORE YOU USE THE EDLUND CROWN PUNCH CAN OPENER. BECOME FAMILIAR WITH THE SERVICE RECOMMENDATIONS TO ENSURE THE BEST PERFORMANCE FROM YOUR OPENER.

### Labels

Your Edlund CROWN PUNCH CAN OPENER carries prominent labels as reminders for its proper and safe use. Shown below are copies of all the labels that appear on the equipment. Take a moment to study them and make a note of their location on your Edlund CROWN PUNCH CAN OPENER before you operate the Opener. Replace damaged or missing safety and information labels immediately.

**CAUTION** ⚠ **CLEAN AFTER EACH USE**  
PROCEDURE FOR 700 CROWN PUNCH:  
1) Wear hand protection for knife and lid handling.  
2) Remove knife and guard ring. To prevent blade damage, support knife with one hand while removing the retaining clip and knife. Check knife for damage that may cause slivers. Send to factory for repairs.  
3) Wash food contact area and outer surfaces with mild soap and water to clean and protect machine. The knife can be sanitized in a dishwasher.  
4) Replace knife, clip, guard ring.  
The can opener can now be tested for operation.

L224

**Cleaning #L224**

**Cut Hazard #L211**



**Warning #L212**



**Read Manual #L228**



**Hearing Protection Required #L411**

## Operating the Opener Safely

---

### **WARNING**

**THIS IS A POWERFUL MACHINE. YOU MUST OPERATE THE OPENER SAFELY. THIS MACHINE CAN CUT AND SEVER PARTS OF YOUR BODY IF THEY BECOME CAUGHT BETWEEN THE CROWN PUNCH AND THE CAN BEING OPENED. ALWAYS TAKE THE FOLLOWING PRECAUTIONS WHEN USING THIS OPENER:**

- **DO NOT ALLOW ANY PERSON NEAR THE CROWN PUNCH WHILE THE MACHINE IS BEING OPERATED THE HIGH FORCES OF THE CROWN PUNCH CAN CAUSE SERIOUS INJURIES. ONLY ONE PERSON SHOULD OPERATE THE CROWN PUNCH MACHINE.  
THE SAME PERSON OPERATING THE CROWN PUNCH MACHINE SHOULD BE THE INDIVIDUAL LOADING AND REMOVING CANS.**
  - **INSPECT THE CROWN PUNCH TOOLING DAILY FOR DENTS, DEFORMITIES, BROKEN WELDS, NICKS, BURRS OR BENT TEETH.**
  - **INSPECT THE CROWN PUNCH MACHINE DAILY BEFORE AND AFTER USE OR WHEN MAKING ADJUSTMENTS FOR THE FOLLOWING:**
    - 1) **INSPECT FOR LOOSE HARDWARE.**
    - 2) **INSPECT THE KNOCK OUT PINS FOR STRAIGHTNESS AND ALIGNMENT TO THE CLEARANCE HOLES IN THE BACK PLATE OF THE CROWN PUNCH. MAKE SURE THE HARDWARE IS TIGHT.**
    - 3) **INSURE ALL COVERS AND GUARDS ARE IN PLACE.**
    - 4) **THE GUARD RING MOUNTING HARDWARE MUST BE TIGHTENED BEFORE OPERATION.**
    - 5) **INSURE THE CROWN PUNCH MACHINE IS SANITIZED BEFORE OPERATION.**
  - **DO NOT, UNDER ANY CONDITIONS, REMOVE, BEND, CUT, FIT, WELD, OR OTHERWISE ALTER STANDARD PARTS ON THE EDLUND CROWN PUNCH CAN OPENER. MODIFICATIONS TO YOUR MACHINE COULD CAUSE PERSONAL INJURIES AND WILL VOID YOUR WARRANTY.**
  - **DO NOT OPERATE THE MACHINE WHEN UNDER THE INFLUENCE OF ALCOHOL, DRUGS, OR MEDICATION.**
-

---

**⚠ CAUTION**

THIS IS A POWERFUL MACHINE. THE OPENER MUST BE OPERATED SAFELY TO PREVENT OR MINIMIZE THE RISK OF MINOR OR MODERATE INJURY. UNSAFE OPERATION MAY RESULT IN A NUMBER OF HAZARDOUS CONDITIONS. ALWAYS TAKE THE FOLLOWING PRECAUTIONS WHEN OPERATING THIS MACHINE:

- WE RECOMMEND WEARING PROTECTIVE GOGGLES OR SAFETY GLASSES WITH SIDE SHIELDS WHILE OPENING CANS TO PROTECT YOUR EYES FROM POSSIBLE SPLASHING OF LIQUID FROM THE CAN.
  - WEAR SHOES WHEN USING YOUR EDLUND CROWN PUNCH CAN OPENER TO PREVENT INJURY IN CASE OF A DROPPED CAN.
  - AVOID WEARING LOOSE CLOTHING OR JEWELRY, WHICH CAN CATCH ON THE OPENER'S MOVING PARTS.
- 

No list of Warnings and Cautions can be all-inclusive. If situations occur that are not covered by this manual, the operator must apply common sense and operate this Opener in a safe manner.

### Additional Information and Potential Changes

The Edlund Company, Inc. reserves the right to discontinue, change, and improve its products at any time without notice or obligation to the purchaser. The descriptions and specifications contained in this manual were in effect at printing. Equipment described within this manual may be optional. Some illustrations may not be applicable to your machine.

## CHAPTER 3 - SETTING UP YOUR EDLUND CROWN PUNCH CAN OPENER

---

This chapter covers the procedures for setting up your new EDLUND CROWN PUNCH CAN OPENER. You may find it helpful to review the Controls and Features in.

### Setup and Operation of the EDLUND CROWN CAN OPENER

1. Unpack the crown punch machine. Check for any loose hardware or damage.
2. Before operation, your new crown punch machine should be sanitized. This will involve removal of the tooling for sanitation and wash down of the machine. Review the Cleaning instructions on page 10.
3. Insure the "T" handles are tight. They are located behind the head of the crown punch machine. The height, with the guard ring in place, must be such that when a can is in position under the crown punch, from the can seam to the lip of the guard ring is approximately 1/8 (3,2mm) to 3/16 (4,8mm), (Figure 3 on page 9).
4. Before starting, always inspect your tooling. The crown punch must be free of nicks, burrs, dents or bent points. The shearing surface must be dull. The guard ring must seat perfectly on the seam of the can being opened. The retaining clip must be flat and not deformed.
5. Insure the crown punch, guard ring and clip are in place properly. The two knurled screws that hold the guard ring in place must be tightened with a flathead screwdriver before operation.
6. Insure the splash guard is on before operation.
7. The crown punch is a one person operation. Place the can under the guard ring and seat it against the back of the lower tab of the guard ring. Grab the handle with one hand and hold the vertical frame with the other. Pull the handle down until the lid is fully punched through. (We recommend bolting the crown punch to the table using the hole provided in the base. Remove the opened can with both hands.
8. Carefully remove the lid from the top of the product and discard. Avoid the perimeter seam area. (safety gloves are recommended).



**AVOID THE SHARP EDGES OF THE LID. DO NOT ATTEMPT TO REMOVE THE LID FROM THE MAGNET BY HAND.**

---

NOTE: The crown punch opener is factory adjusted to open a standard #10 can or the particular size can ordered. The crown punch should penetrate the can just far enough to remove the lid but not so far as to cause excessive splashing of liquid in the can. If a height adjustment is required, see "Adjusting the Head" in Chapter 4.

# EDLUND CROWN PUNCH CAN OPENER Controls and Features

NOTE: The model shown in Figure 2 may look slightly different from your machine.

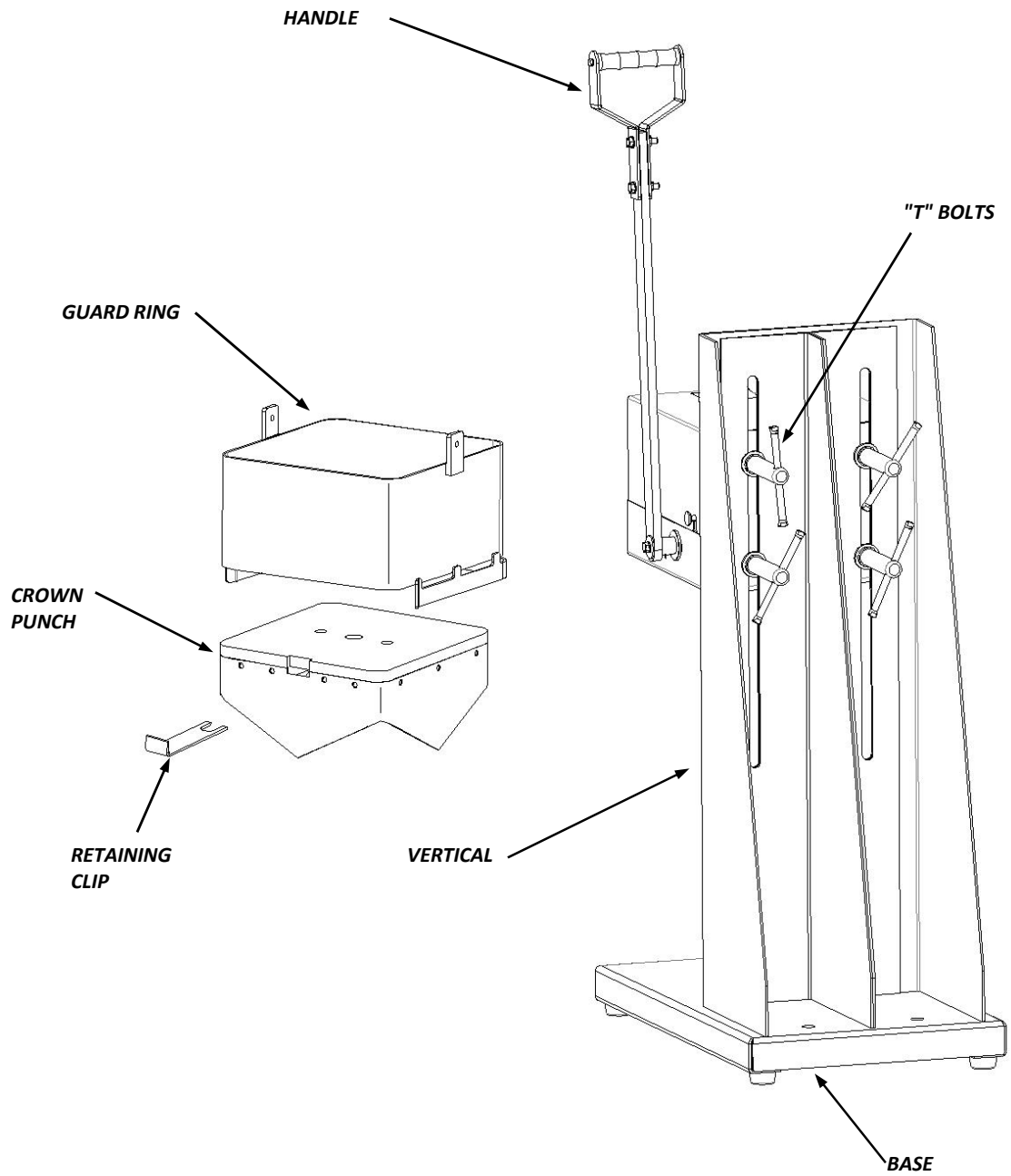


Figure 2

## CHAPTER 4 - MAINTAINING THE EDLUND CROWN PUNCH CAN OPENER

---

This chapter covers regular maintenance procedures that will ensure the best performance and long life of your opener.

### Adjusting the Head

1. Place the can that you want to adjust the machine to below and against the guard ring tab.
2. Loosen the four (4) "T" bolts at the rear of the vertical (Figure 2) and raise or lower the Head as needed, keeping the can and guard ring aligned and level.

Tip: Placing a 1/8 to 3/16-inch thick shim between the can and guard ring will help.

3. Tighten the four (4) "T" bolts.

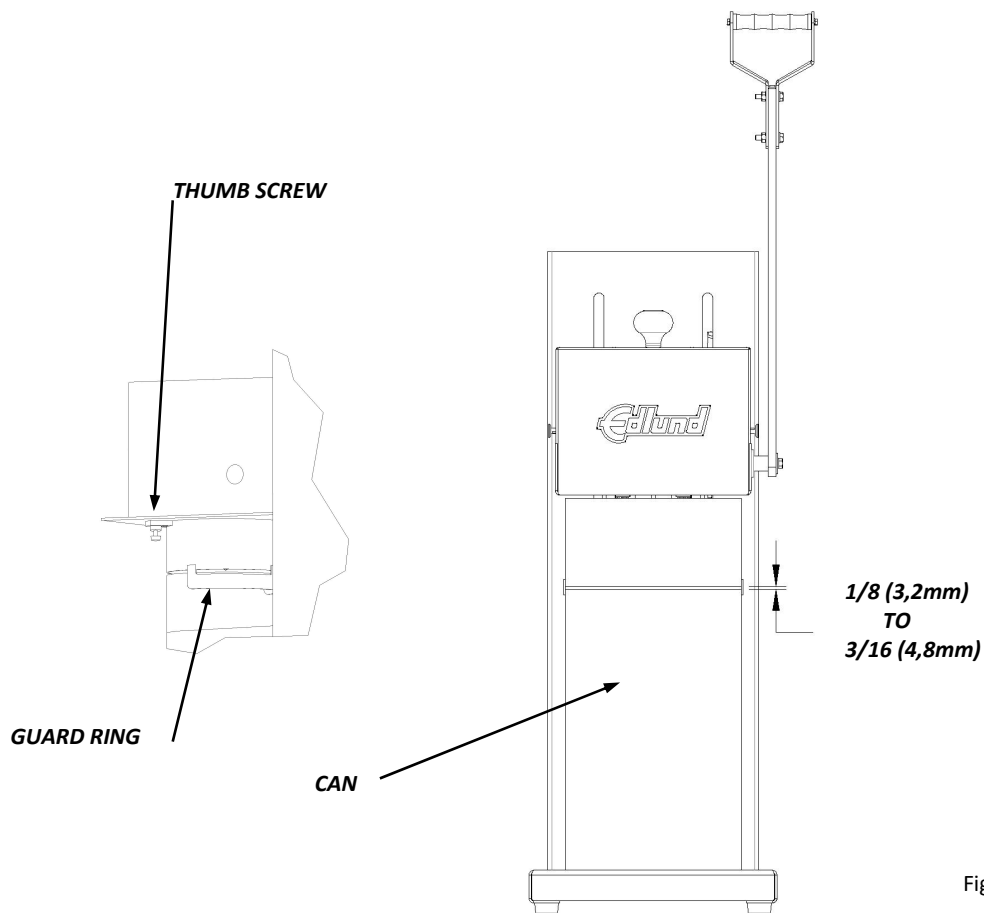


Figure 3

## Changing Tooling

To open a different size can, you must use the following procedure to change the Crown Punch.

Tool Needed:

- Flat Head Screwdriver (optional)
1. With one hand, hold up on the guard ring (Figure 3 on page 9) and with the other hand, unscrew the two (2) Thumbscrews (Figure 3 on page 9).

Tip: You may need a Flat Head Screwdriver to loosen the screws.



**USE CAUTION HANDLING THE CROWN PUNCH IN THE NEXT STEP.**

---

2. Let the guard ring down and set it aside. Now hold up on the crown punch with one hand (being careful of the pointed edges), and with the other hand, pull the retainer clip straight out (Figure 2 on page 8 ).

Tip: You may have to wiggle the crown punch to loosen the clip.

3. Set the crown punch and retainer clip down with the guard ring.

NOTE: Do not let the crown punch fall on the base.

4. Install the new crown punch, guard ring and retainer clip in the reverse order.
5. If the lid knockout pins do not align with the holes in the crown punch backing plate, rotate the punch or remove the pins and use the alternate hole locations (can size 400 or smaller).
6. Place the can that you are opening under the guard ring against the tab and adjust the head height described in "adjusting the head" on page 9.
7. Operate according to the EDLUND CROWN PUNCH CAN OPENER".

## Crown Punch Cleaning

Remove the crown punch, guard ring, and retainer clip (Figure 2 on page 8) after every use for cleaning. You may rinse down the entire machine with soap and water to remove any residue from the unit.

---

**⚠ CAUTION**

USE CAUTION HANDLING THE CROWN PUNCH IN THE NEXT STEP.

---

1. Remove the tooling per **Changing Tooling** on page 10.
2. Wash down and sanitize the entire splash zone area and any other areas of the machine that may have food contamination on it. Foreign material that remains on the machine will dry and create unsanitary conditions and can affect the performance of the machine. Failure to do so can result in valve and cylinder damage causing costly repairs.
3. Reassemble the crown punch, guard ring, retainer clip, and the splash guard.
4. Be sure all screws are tight.

## CHAPTER 5 - TROUBLESHOOTING

Consult the Troubleshooting Table below for common problems. If you continue to experience problems, call our Technical Support Representatives at 1-800-772-2126.

### Troubleshooting

#### **WARNING**

The crown punch does not consistently open cans.

- A. Inspect the edge of the crown punch, it must be smooth with no dings, chips or deformations around the entire circular area, this is the crown punches shearing area. If you should find a slight defect in many cases a light filing can be done, keeping a dull edge. If damage is extensive replace tooling or return it to the Edlund for re-furbishing.
- B. A crown punch must **NEVER** be sharpened. The typical life cycle of a crown punch can be as high as 500,000 cycles. At that point, it will need to be re-surfaced. Inspect your tooling daily for defects and keep the tooling clean.
- C. A crown punch is centered with the can by the guard ring. With the guard ring removed, place your can in the guard ring by placing the can up against the tab of the guard ring, this is the lower piece welded to the ring itself. The can must fit snug in the ring with the bottom edge of the ring sitting on top of the can to be opened. Insure your tooling fits correctly before use.
- D. Dented cans should not be opened on your Edlund crown punch. The results of attempting this could result in tooling or machine damage or the cans failing to open and getting jammed into the tooling. Should this occur, remove the can from the tooling and inspect the tooling for damage and mis-alignment and correct or replace as needed. If cans are consistently dented a slightly smaller crown punch can be used to help. This method will leave a wider "lip" on the can. EX. 603 can (#10) and guard ring with a 600 crown punch.
- E. Operational errors. In order for the can to be opened properly, the can **MUST BE SEATED** against the back of the guard ring. Crown punches are designed for high volume applications and must be used correctly for proper results.
- F. If the retaining clip should get worn or bent replace it with a new one.
- G. If the mounting studs should become loose or broken (mainly in older machines) replace them or send back to Edlund for repair.
- H. With a can seated in the guard ring, inspect the gap between the guard ring and the top of the can seam. See "Setup and Operation", (page 7.)
- I. Should a lid remain attached to the can after operating the crown punch, first check the spacing between can and guard ring for proper gap. If this is acceptable, loosen the head of the crown punch with the "T bolts", set the head so it is level with the can. Open another can and inspect.

**SERVICE SHOULD ONLY BE PERFORMED BY A QUALIFIED SERVICE TECHNICIAN.** Call our Technical Support Representatives at **1-800-772-2126**.

THIS PAGE INTENTIONALLY LEFT BLANK

## CHAPTER 6 - PARTS LISTS, DIAGRAMS, AND WARRANTY

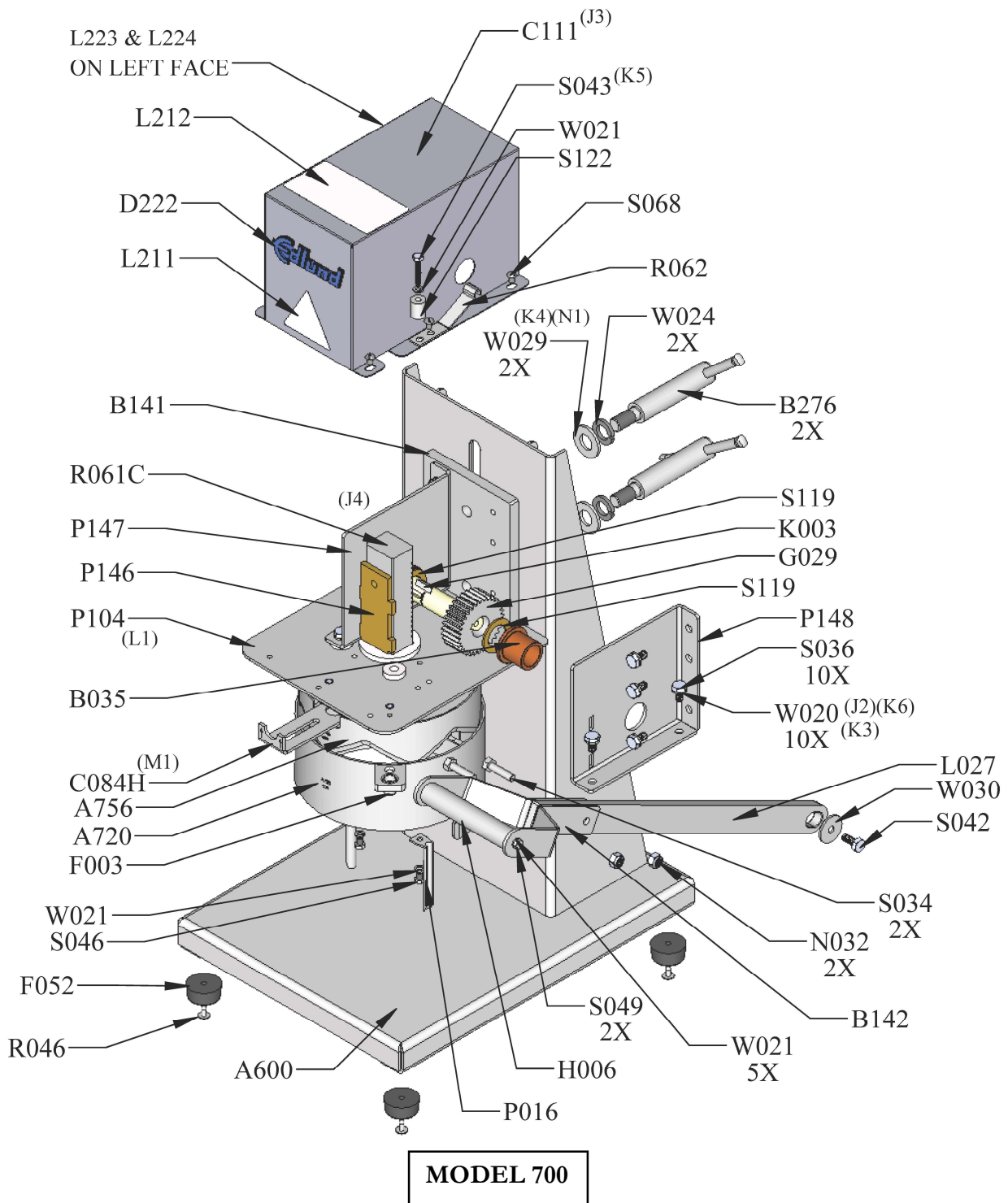
---

### Parts List - CROWN PUNCH CAN OPENER, Models 700 & 700T

NOTE: Part numbers listed are available through your authorized parts supplier.

A750	WELDMENT, FRAME (INCLUDES F052(4), R046 (4))
A751	WELDMENT, 700T BASE (INCLUDES F052 (4) R046 (4))
A752	WELDMENT, 700T VERTICAL
A753	ASSEMBLY, RAM PLATE & WELD PIN
A754	WELDMENT, COVER
A756J	ASSY, #10 KNIFE
A757	ASSY, LEVER ARM
A761	ASSY, S/S HEAD
A7611	PLATE, S/S LEFT GEAR
A7612	PLATE, S/S RIGHT GEAR
A046	ADAPTER, BLADE CLIP (OLD STYLE CONVERSION)
B035	BEARING, FLANGE
B136R	BUSHING, 700 RAM PLATE SHEILD
B141	BLOCK S/S SPACING & ADJUSTING
B142	BRAKET , S/S HANDLE
C084	CLIP #10 BLADE
F003	FASTENER
F052	FEET
G029	GEAR, S/S
H006	HANDLE, S/S
K003	KEY, #9
L027	LEVER S/S ARM
N020	NUT, S/S 10-32 HEX
N032	NUT, S/S 1/4-20 NYLCOK
P016	PIN, KNOCKOUT
P146	PLATE, BRASS SPACER
R031	RING #700 RETAINING S/S
R046	RIVET
R061C	RAM, S/S W/CLIP SLOT
R062	RETAINER, S/S W/CLIP SLOT
S026	SCREW, S/S 1/2-13 X 1 HEX
S034	SCREW, S/S 1/2-20 X 1 HEX
S036	SCREW, S/S 4/4-20 X 1/2 HEX
S040	SCREW, S/S 10-32 X 1-1/4 HEX
S044	SCREW, S/S 10-32 X 1/2 HEX
S045	SCREW, 10-32 X 1/2 HEX
S049-12	SCREWS, 12 PACK 10-32 X 3/8 S/S HEX HEAD
S122	SPACER, 700 STOP
PL090	BACKING PLATE

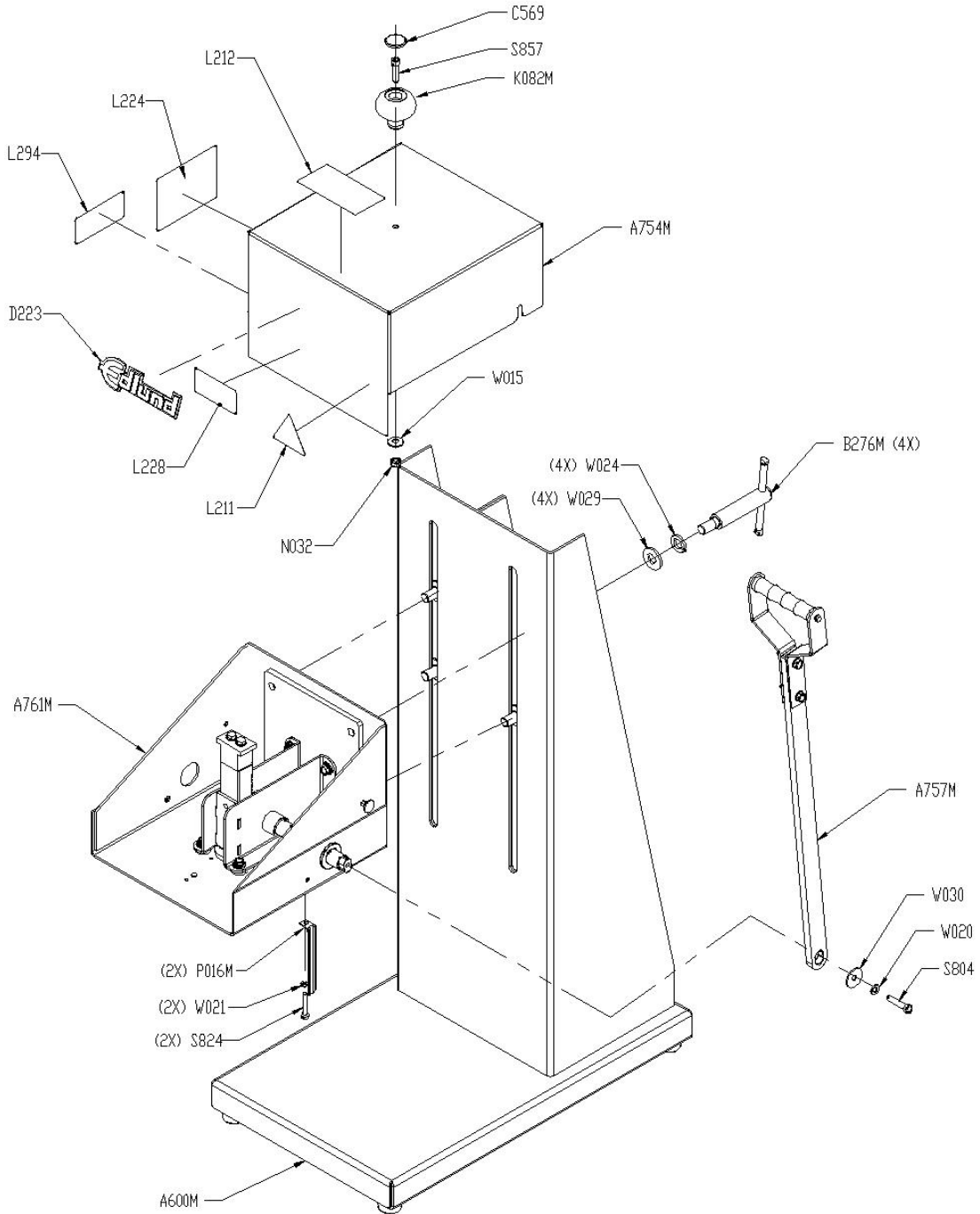
# CROWN PUNCH CAN OPENER, Models 700 & 700T



Parts List - CROWN PUNCH CAN OPENER, Models 700 & 700T

PART NUMBER	DESCRIPTION	QTY.
W029	WASHER, TEE BOLT, 12 GA.	4
S824	SCREW, M4-.7 X 12mm, P.P.H	2
N032	NUT, 1/4-20 NYLOK	1
W021	LOCK WASHER, #10	2
W015	FLAT WASHER, 1/4	1
W024	LOCK WASHER, 1/2	4
A754M	COVER	1
C569	CAP, EDLUND/MADE IN USA	1
K082M	KNOB, HANDLE	1
D223	EDLUND EMBLEM	1
P016M	PIN, KNOCK OUT	2
W030	WASHER, ARM RETAINER	1
A757M	ASSEMBLY, LEVER ARM	1
B276M	TEE HANDLE	4
A761M	ASSEMBLY, HEAD	1
A600M	WELDMENT, VERTICAL	1
W020	LOCK WASHER, 1/4	1
S804	SCREW, M6-1 X 12mm, H.H	1
S857	SCREW, 10-32 X 3/8, SLOT HD.	1
L211	LABEL, BLADES	1
L228	LABEL, MANUAL	1
L212	LABEL, GUARDS	1
L294	LABEL, CE	1
L224	LABEL, CLEANING	1

# CROWN PUNCH CAN OPENER, Models 700 & 700T



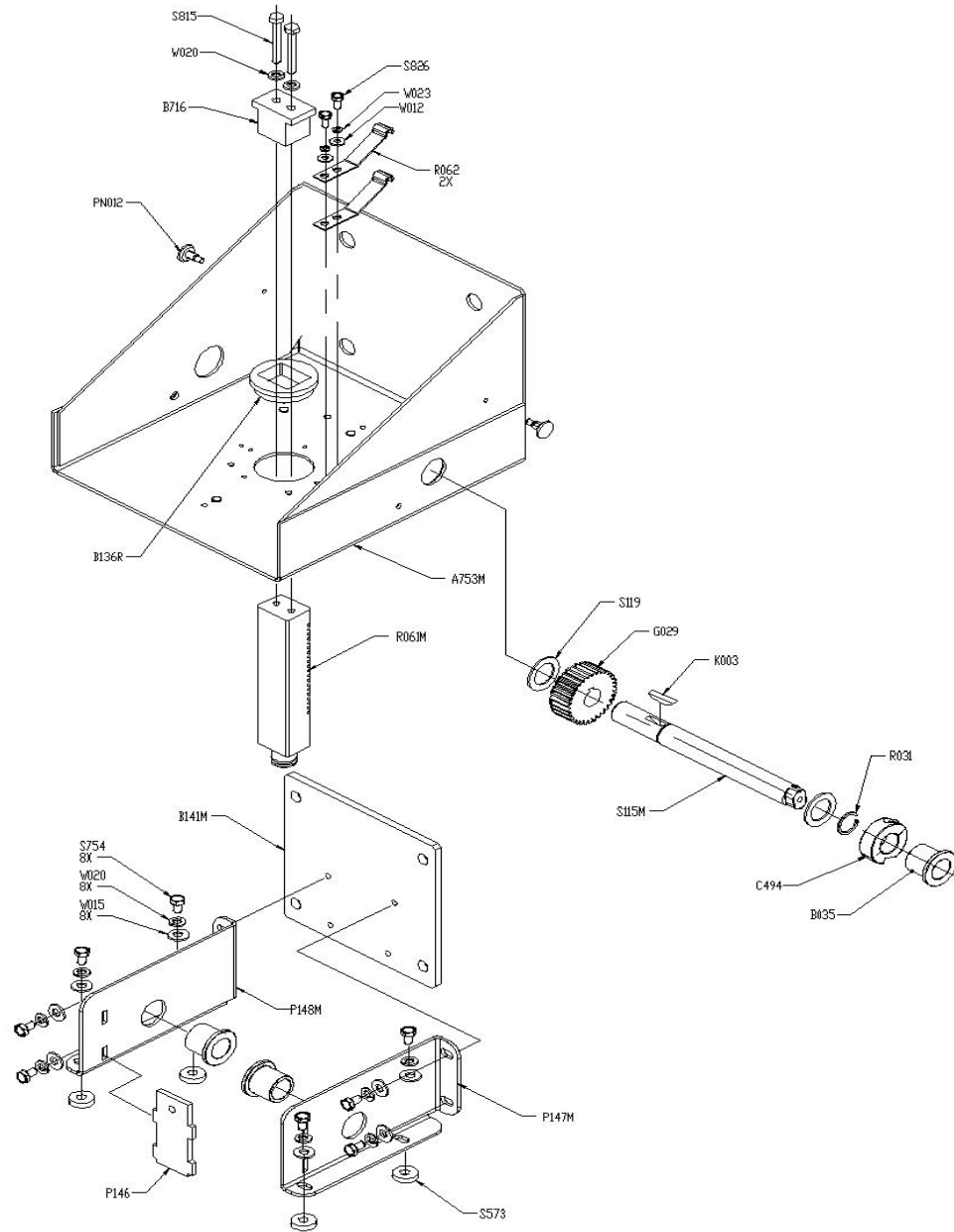
**MODEL 700T**

CALL TOLL FREE **1-800-772-2126**

Parts List - CROWN PUNCH CAN OPENER, Models 700 & 700T

PART NUMBER	DESCRIPTION	QTY.
R031	RETAINING RING	1
A753M	WELDMENT, HEAD	1
B141M	PLATE, HEAD ADJUSTING	1
S815	M6-1 X 45mm HEX HEAD	2
B716	BLOCK, RACK STOP	1
R061M	RACK	1
P147M	PLATE, GEAR SUPPORT, RIGHT	1
P148M	PLATE, GEAR SUPPORT, LEFT	1
B035	BEARING, FLANGED	3
B136R	BUSHING, RAM HEAD	1
S573	SPACER, RAM PLATE	8
R062	RETAINER, LEVER ARM	2
W015	WASHER, 1/4" S/S FLAT	8
G029	GEAR	1
K003	WOODRUFF KEY	1
W020	1/4 LOCKWASHER	10
PN012	PIN, SPLASH GUARD HEAD	2
P146	PLATE, BRASS	1
C494	COLLAR, MODIFIED	1
S115M	SHAFT, GEAR DRIVE	1
S119	SPACER, SHAFT	2
S826	M4-.7 X 10mm HEX HEAD	2
W023	#8 LOCK WASHER	2
W012	#8 FLAT WASHER	2

# CROWN PUNCH CAN OPENER, Models 700 & 700T



**MODEL 700T**



## CROWN PUNCH CAN OPENER, Models 700 & 700T

**WARRANTY:**

All Edlund products are guaranteed against defects in material and workmanship for a period of one year from date of purchase, except where specifically noted. The company's obligation under this warranty is limited to repairing or replacing without charge any part or parts found to be defective **under normal use**. It is the responsibility of the purchaser to return the entire unit to the factory, **properly packed, transportation charges prepaid**. This warranty does not cover knives and gears on can openers. No other warranty, written or verbal, is authorized by the company. Warranty charges do not include state, federal, foreign, excise, municipal, or other sales or use taxes. All such taxes are the responsibility of the purchaser.

**Carrier is responsible for merchandise in transit to you.**

Edlund Company reserves the right to make changes in design or add any improvements on any product. The right is always reserved to modify our equipment because of factors beyond our control and government regulations. Charges to update equipment do not constitute a warranty charge.

The following are not covered under warranty:

1. failure from neglect, abuse, careless handling or mis-application of unit.
2. failure caused by improper maintenance.

Return products to: Edlund Company, LLC, Service Department  
319 Queen City Park Rd., Burlington, VT 05401, USA  
An ISO 9001:2015 Company

Phone: (800) 772-2126 & (802) 862-9661 • Fax: (802) 862-4822

M081 REV M