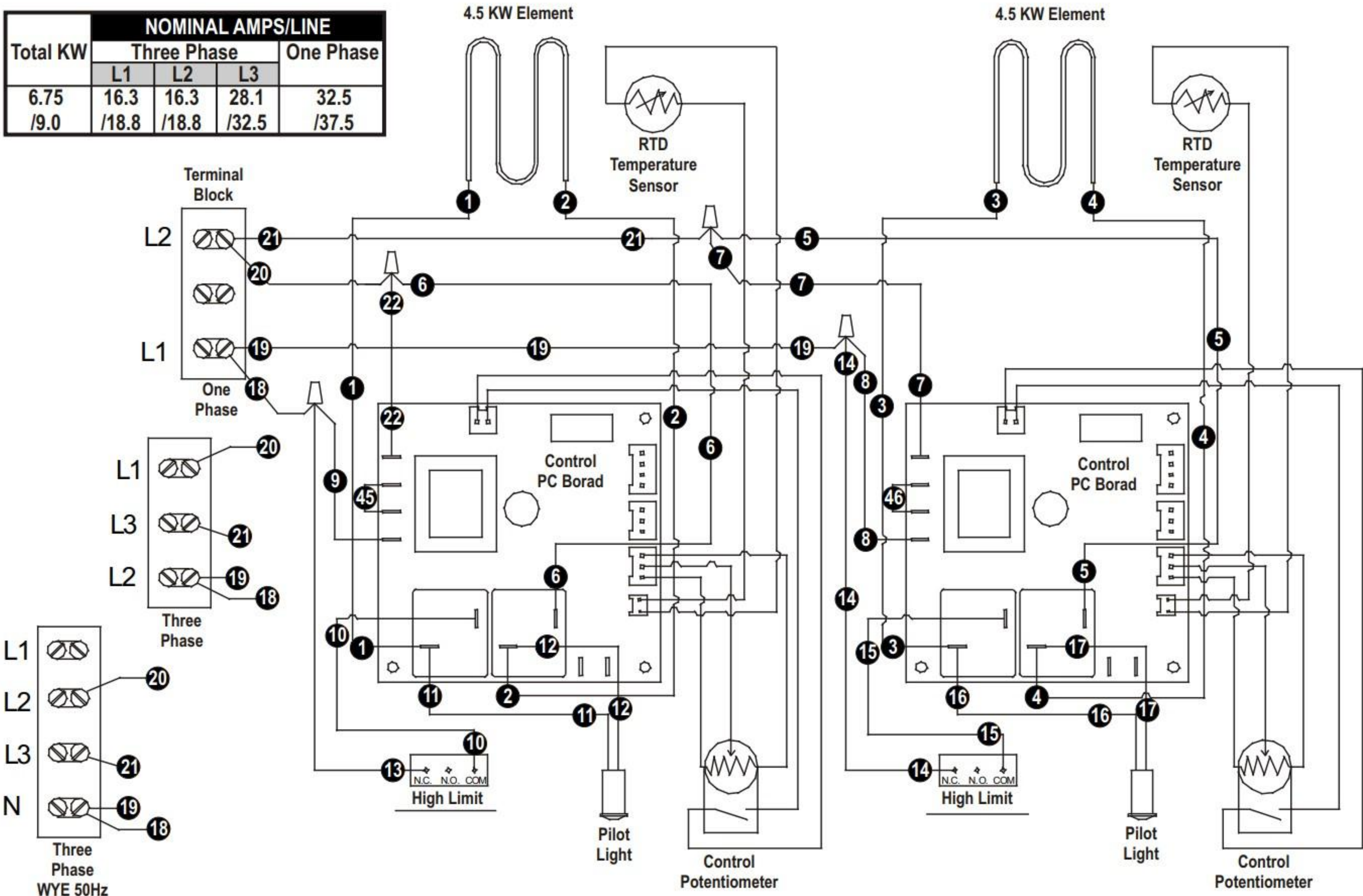
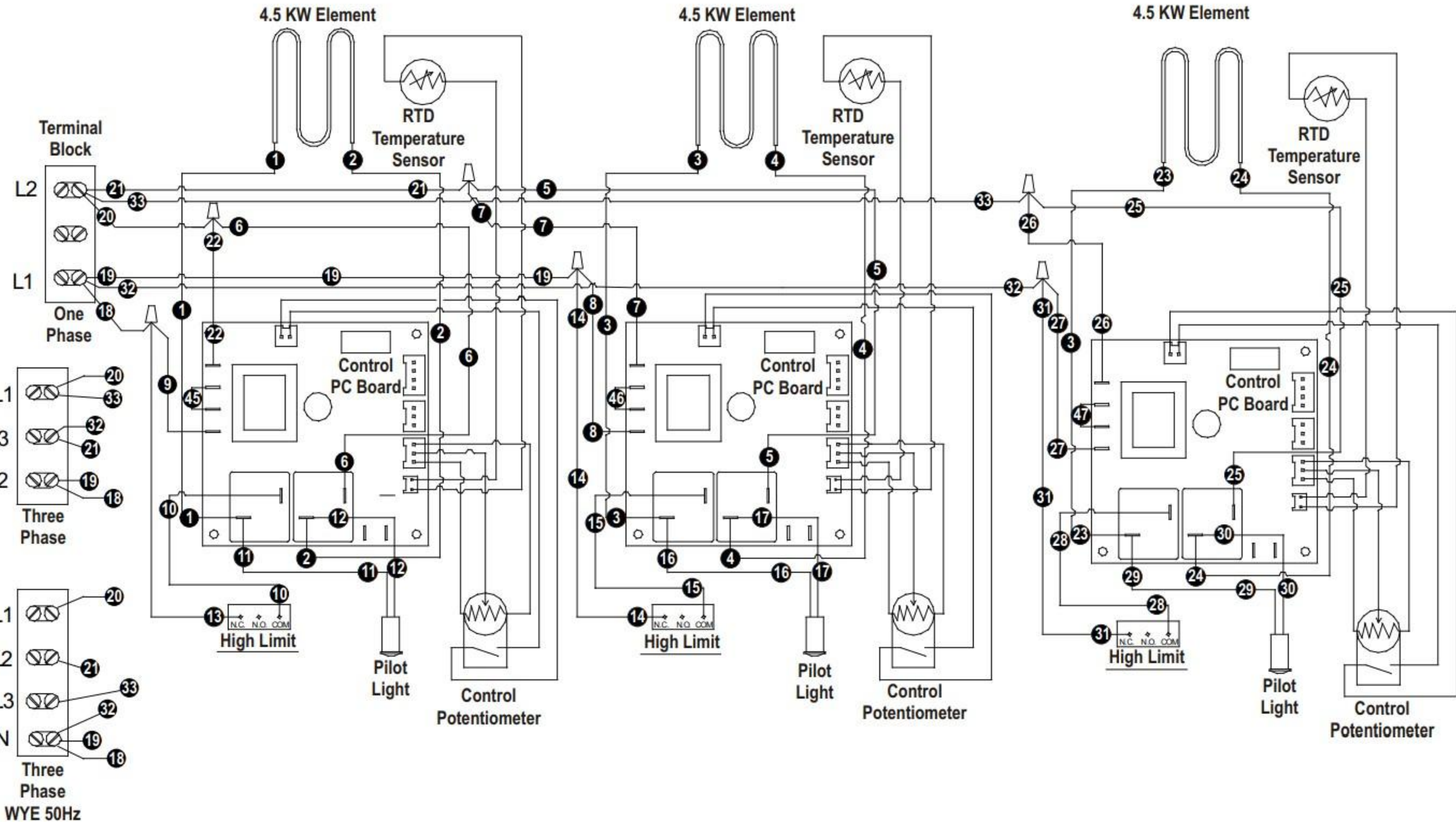


Total KW	NOMINAL AMPS/LINE			
	Three Phase			One Phase
	L1	L2	L3	
6.75	16.3	16.3	28.1	32.5
/9.0	/18.8	/18.8	/32.5	/37.5



Total KW	NOMINAL AMPS/LINE			
	Three Phase			One Phase
	L1	L2	L3	
10.12	28.1	28.1	28.1	48.7
/13.5	/32.5	/32.5	/32.5	/56.3



Total KW	NOMINAL AMPS/LINE			
	Three Phase			One Phase
	L1	L2	L3	
13.5	43.0	43.0	28.1	65
/18.0	/49.6	/49.6	/32.5	/75

