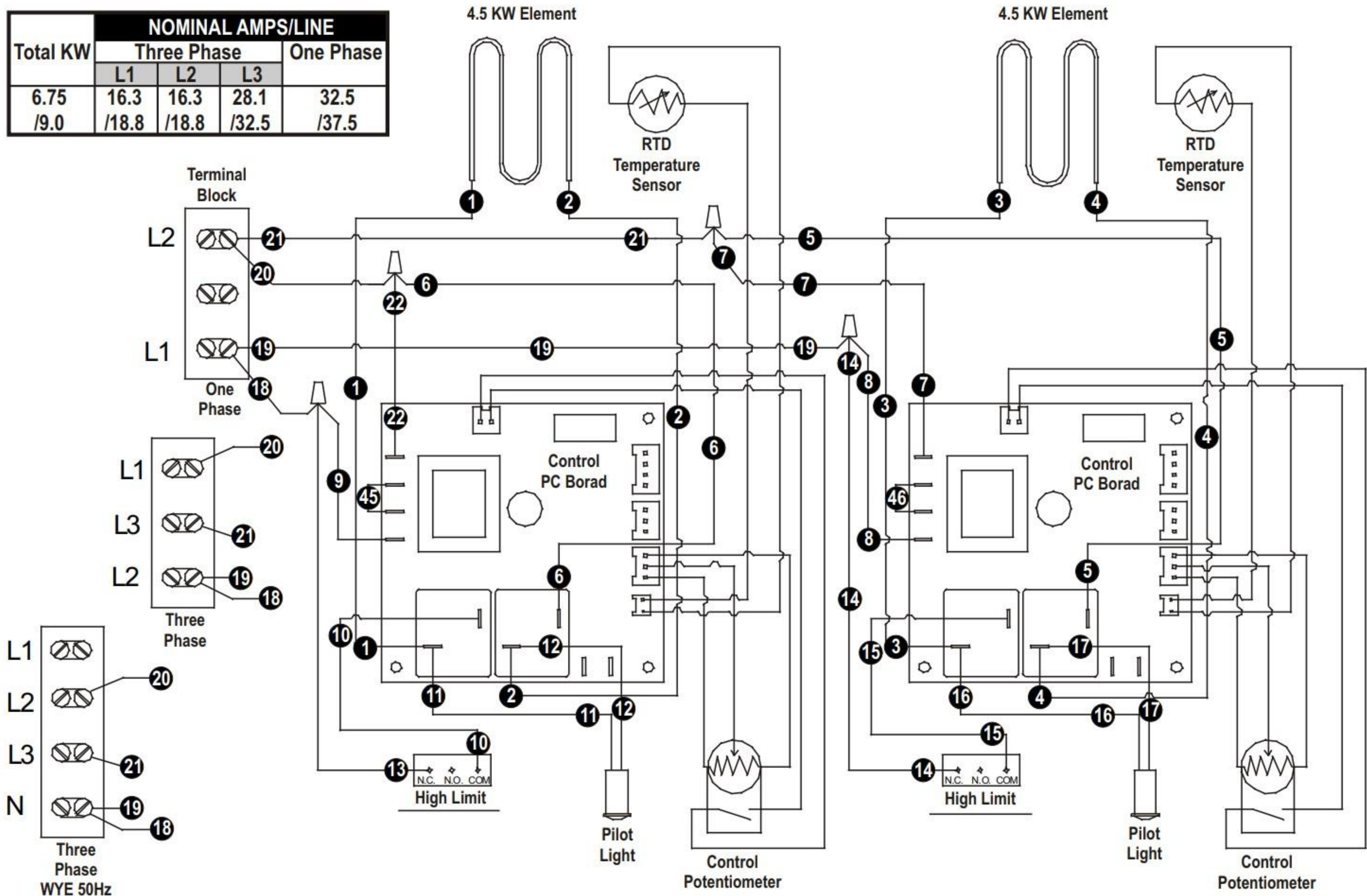


Total KW	NOMINAL AMPS/LINE			
	Three Phase			One Phase
	L1	L2	L3	
6.75	16.3	16.3	28.1	32.5
/9.0	/18.8	/18.8	/32.5	/37.5



4.5 KW Element

4.5 KW Element

RTD  
Temperature  
Sensor

RTD  
Temperature  
Sensor

Terminal  
Block

L2

L1

One  
Phase

L1

L3

L2

Three  
Phase

L1

L2

L3

N

Three  
Phase  
WYE 50Hz

Control  
PC Borad

Control  
PC Borad

N.C. N.O. COM  
High Limit

N.C. N.O. COM  
High Limit

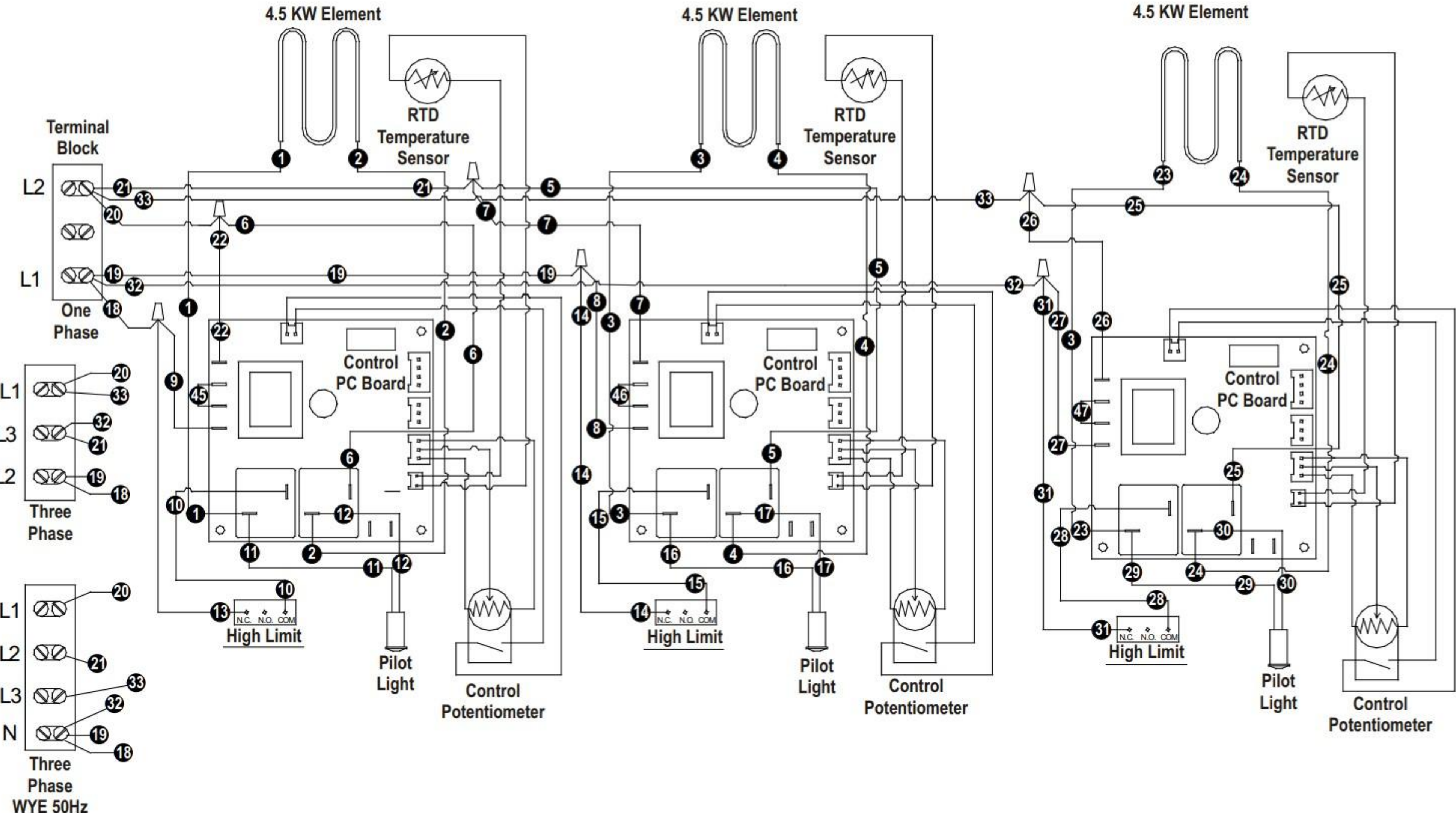
Pilot  
Light

Pilot  
Light

Control  
Potentiometer

Control  
Potentiometer

Total KW	NOMINAL AMPS/LINE			
	Three Phase			One Phase
	L1	L2	L3	
10.12	28.1	28.1	28.1	48.7
/13.5	/32.5	/32.5	/32.5	/56.3



Total KW	NOMINAL AMPS/LINE			
	Three Phase			One Phase
	L1	L2	L3	
13.5	43.0	43.0	28.1	65
/18.0	/49.6	/49.6	/32.5	/75

