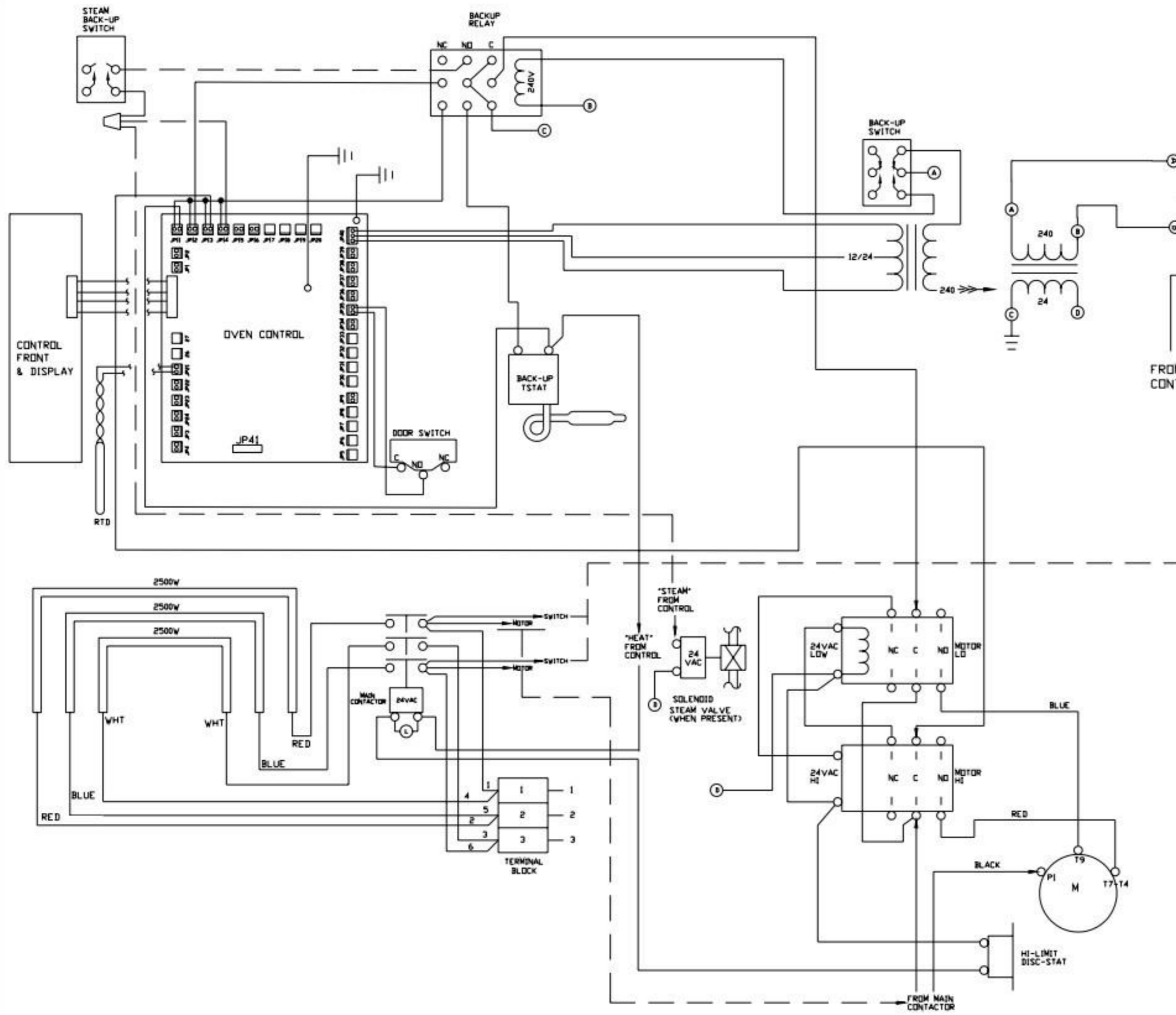


REVISION BLOCK						
REV	ECN NO.	DESCRIPTION	DR:	MFG	ENG	DATE



- JP11 = HEAT
- JP12 = HI SP MOTOR
- JP13 = LO SP MOTOR
- JP14 = OPT STEAM
- JP21 = RTD
- JP35 = DOOR SW
- JP37 = ON-OFF
- GP3 = CHASSIS GROUND
- GP4 = CHASSIS GROUND
- JP41 = RS232 CONNECTOR



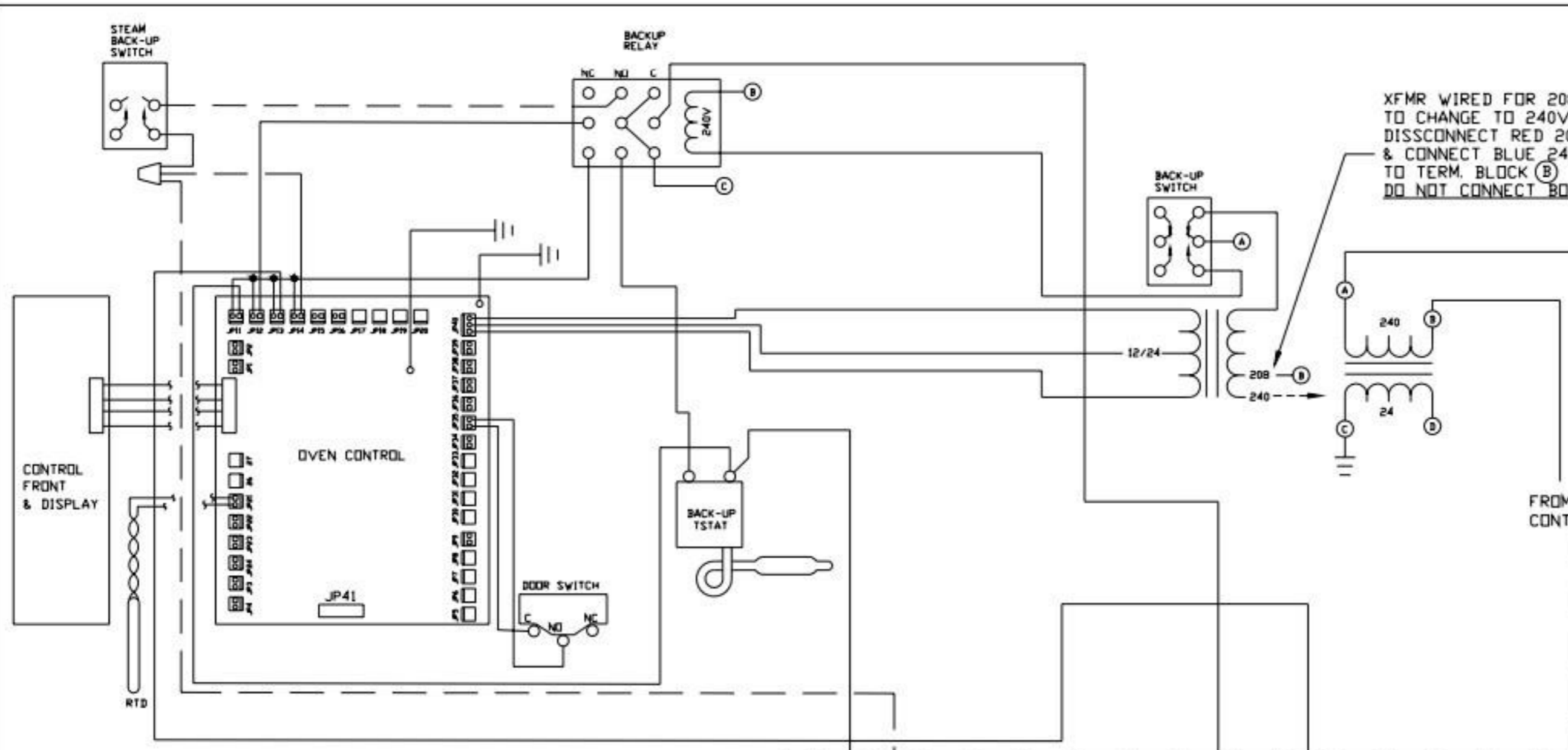
EH	VOLTS	KW			TOTAL	AMPS			
		L1-L2	L2-L3	L3-L1		L1	L2	L3	1 PHASE
	480	2.5	2.5	3.1	8.1	6.02	6.02	6.74	9.75

SERVICE CONNECTIONS					
THREE PHASE			SINGLE PHASE		
L1	L2	L3	L1	L2	
1-4	2-5	3-6	1-3-5	2-4-6	

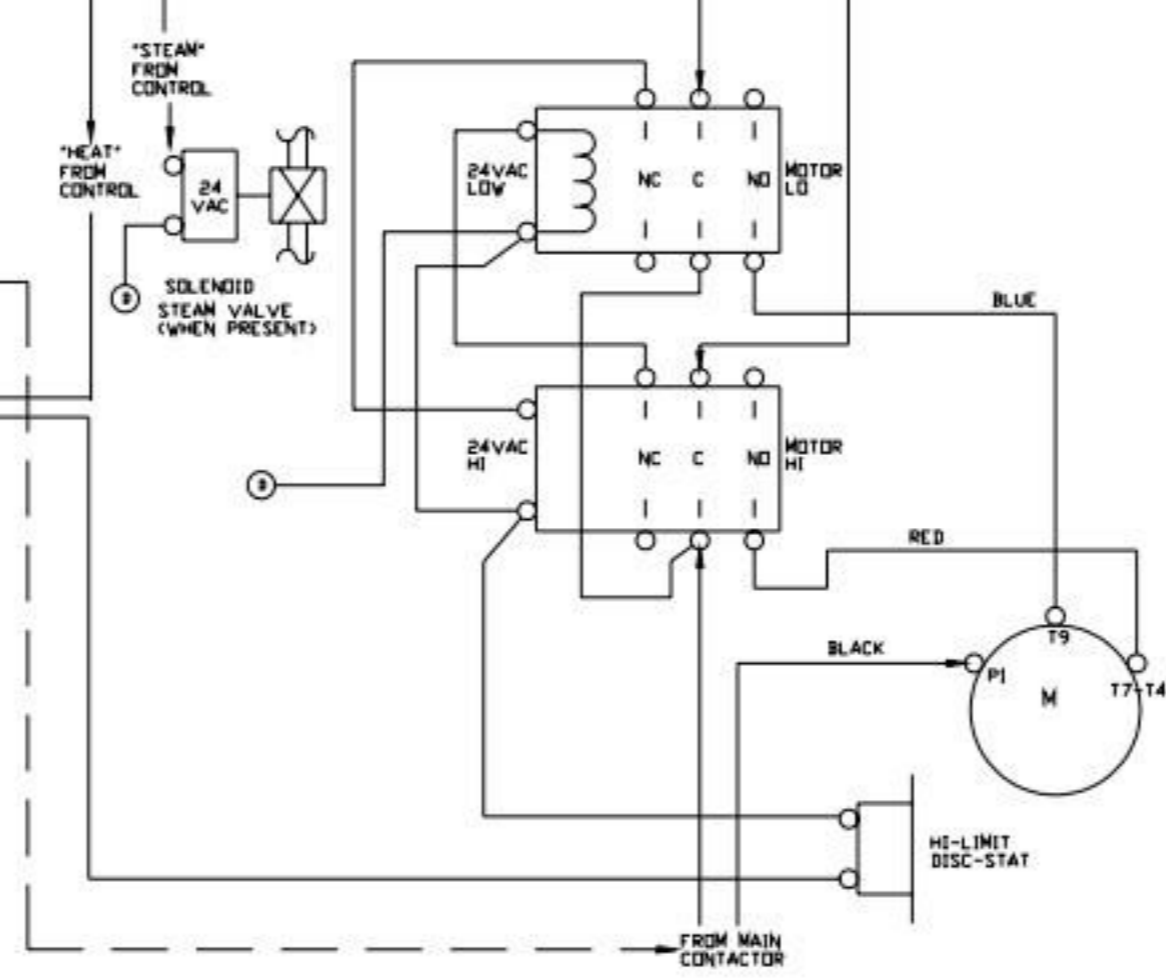
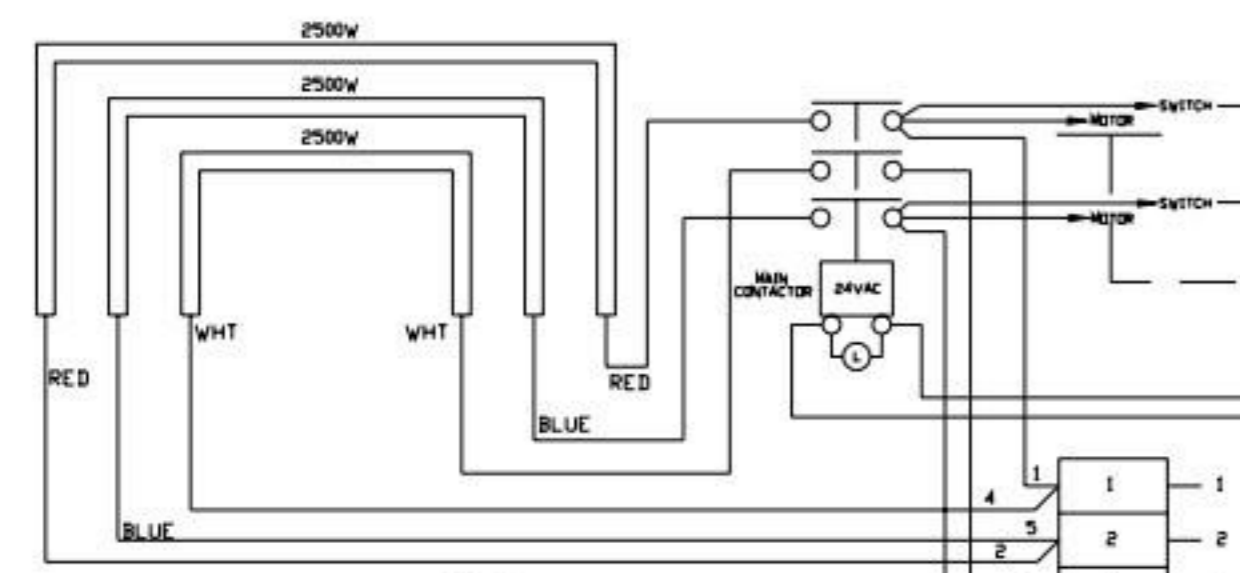
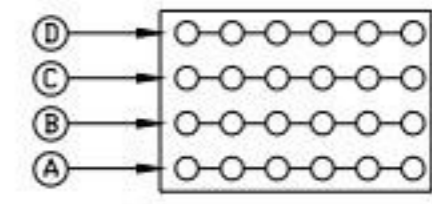
PURPLE-PLUS

QTY	ITEM	PART NUMBER	DESCRIPTION / MATERIAL
LANG MANUFACTURING			
DR: SRC DATE: 11/9/00		TITLE: W/D 480V EH PT	
CK: FJD DATE:		MOTOR 480VAC	
TOLERANCES FRACTIONS DECIMALS ± 1/64 .XX ± .05 ANGLES .XXX ± .015 UNLESS OTHERWISE SPECIFIED DIMENSIONS ARE IN INCHES		NEXT HIGHER ASSY.	SHEET
SCALE: 10 FT		1 OF 1	DRAWING NUMBER
		61111-169	REV
			A

REVISION BLOCK						
REV	ECN NO.	DESCRIPTION	DR:	MFG	ENG	DATE
R		ADDED "OPTIONAL" MOTOR STUFF	ADM			10-20-98

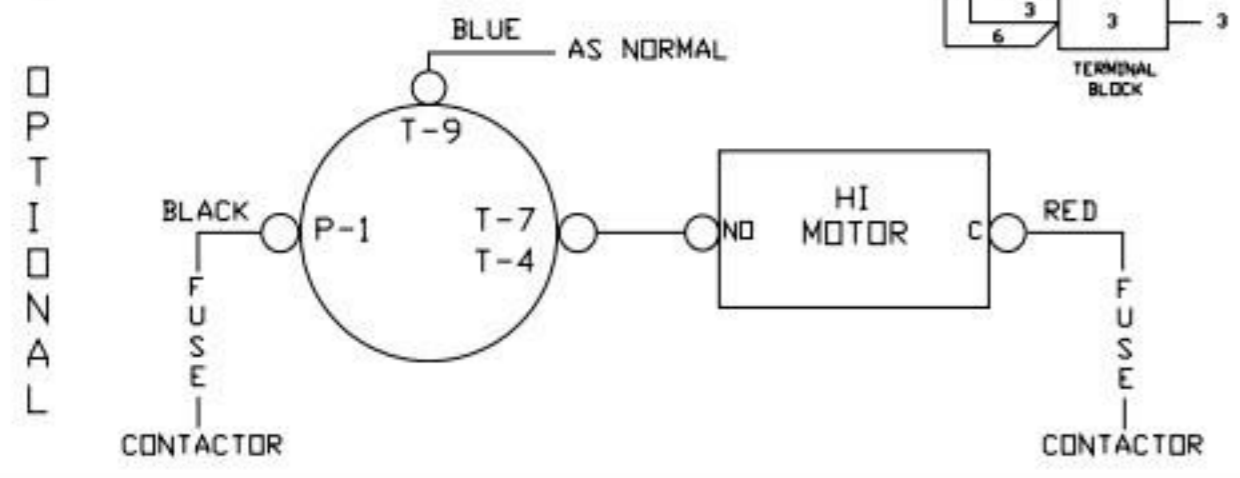


- JP11 = HEAT
- JP12 = HI SP MOTOR
- JP13 = LO SP MOTOR
- JP14 = OPT STEAM
- JP21 = RTD
- JP35 = DOOR SW
- GP3 = CHASSIS GROUND
- GP4 = CHASSIS GROUND
- JP41 = RS232 CONNECTOR



	VOLTS	KW			TOTAL	AMPS			
		L1-L2	L2-L3	L3-L1		L1	L2	L3	1 PHASE
EH	208	2.5	2.5	3.1	8.1	23.3	20.8	23.3	40
EH	240	2.5	2.5	3.1	8.1	20.2	18.0	20.2	33.8

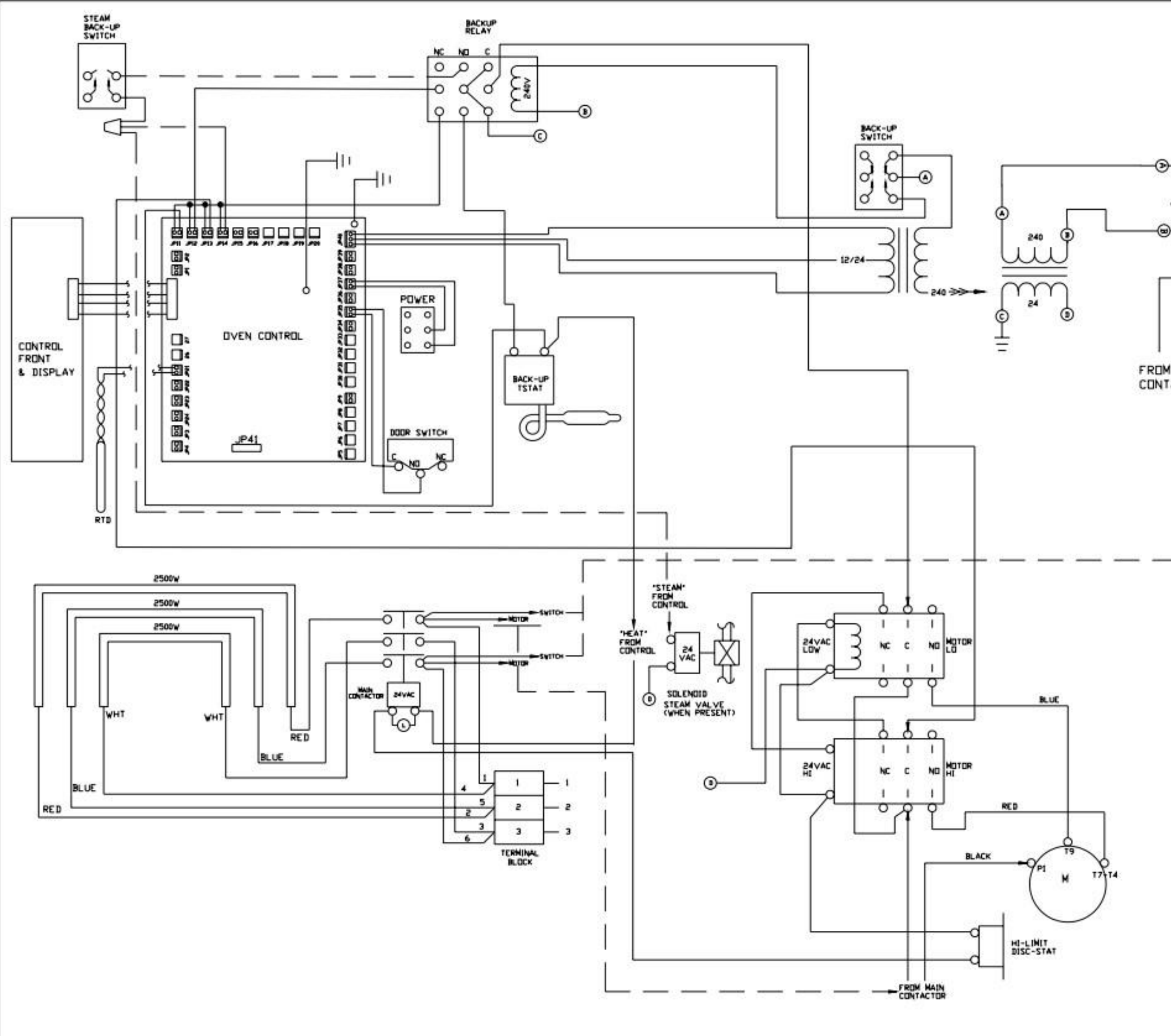
SERVICE CONNECTIONS					
THREE PHASE			SINGLE PHASE		
	L1	L2	L3	L1	L2
	1-4	2-5	3-6	1-3-5	2-4-6



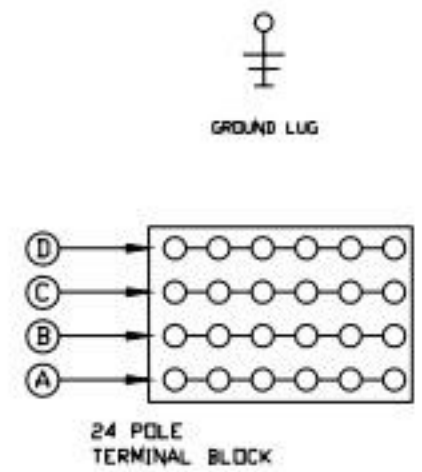
PLATINUM

QTY	ITEM	PART NUMBER	DESCRIPTION / MATERIAL
LANG MANUFACTURING			
DR: SRC DATE: 2-24-98		TITLE: W/D EH PT WITH 2 SPEED	
CK: DATE:		MOTOR 208/240VAC	
TOLERANCES FRACTIONS DECIMALS ± 1/64 .X ± .05 ANGLES .XX ± .03 ± .P .XXX ± .015 UNLESS OTHERWISE SPECIFIED DIMENSIONS ARE IN INCHES		NEXT HIGHER ASSY.	SHEET
SCALE: TO FIT		1 of 1	DRAWING NUMBER
		61111-148	REV
			B

REVISION BLOCK						
REV	ECN NO.	DESCRIPTION	DR.	MFG	ENG	DATE



- JP11 = HEAT
- JP12 = HI SP MOTOR
- JP13 = LO SP MOTOR
- JP14 = OPT STEAM
- JP21 = RTD
- JP35 = DOOR SW
- JP37 = ON-OFF
- GP3 = CHASSIS GROUND
- GP4 = CHASSIS GROUND
- JP41 = RS232 CONNECTOR



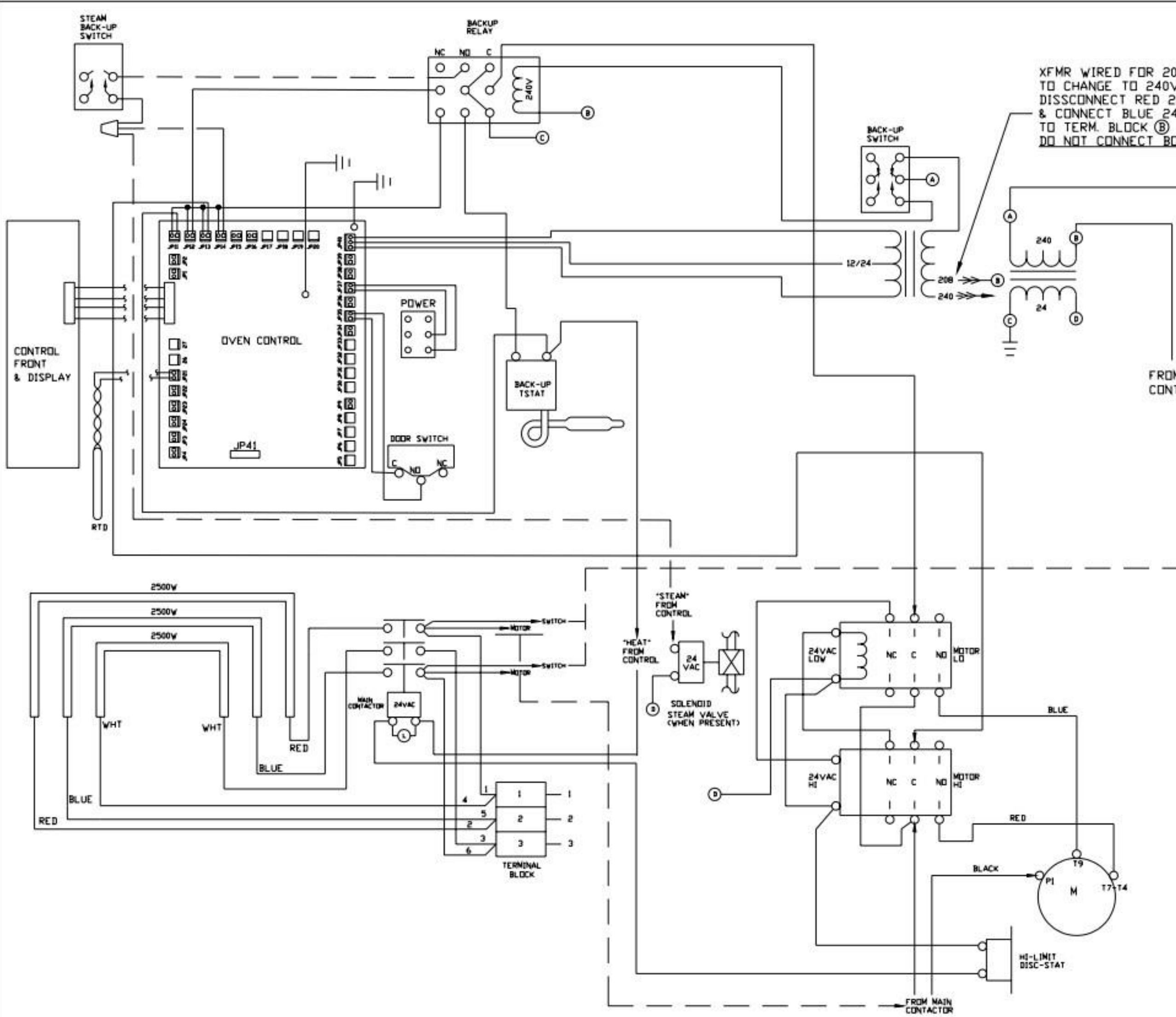
EH	VOLTS	KW			TOTAL	AMPS			
		L1-L2	L2-L3	L3-L1		L1	L2	L3	1 PHASE
	480	2.5	2.5	3.1	8.1	6.02	6.02	6.74	9.75

SERVICE CONNECTIONS					
THREE PHASE			SINGLE PHASE		
L1	L2	L3	L1	L2	
1-4	2-5	3-6	1-3-5	2-4-6	

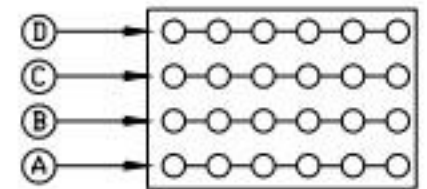
PURPLE-PLUS

QTY	ITEM	PART NUMBER	DESCRIPTION / MATERIAL
LANG MANUFACTURING			
DR: SRC DATE: 11/9/00		TITLE: W/D 480V EH PP	
CK: FJD DATE:		MOTOR 480VAC	
TOLERANCES FRACTIONS DECIMALS ± 1/64 .XX ± .05 ANGLES .XX ± .03 ± .0° .XXX ± .015 UNLESS OTHERWISE SPECIFIED DIMENSIONS ARE IN INCHES		NEXT HIGHER ASSY.	SHEET
SCALE: TO FIT		1 OF 1	DRAWING NUMBER
			61111-168
			REV
			A

REVISION BLOCK						
REV	ECN NO.	DESCRIPTION	DR:	MFG	ENG	DATE
		MOVED BLUE AND WHITE WIRES	DM			



- JP11 = HEAT
- JP12 = HI SP MOTOR
- JP13 = LO SP MOTOR
- JP14 = OPT STEAM
- JP21 = RTD
- JP35 = DOOR SW
- JP37 = ON-OFF
- GP3 = CHASSIS GROUND
- GP4 = CHASSIS GROUND
- JP41 = RS232 CONNECTOR



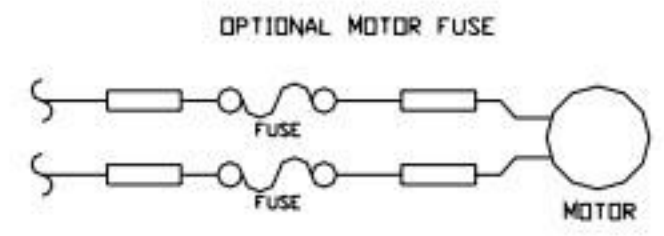
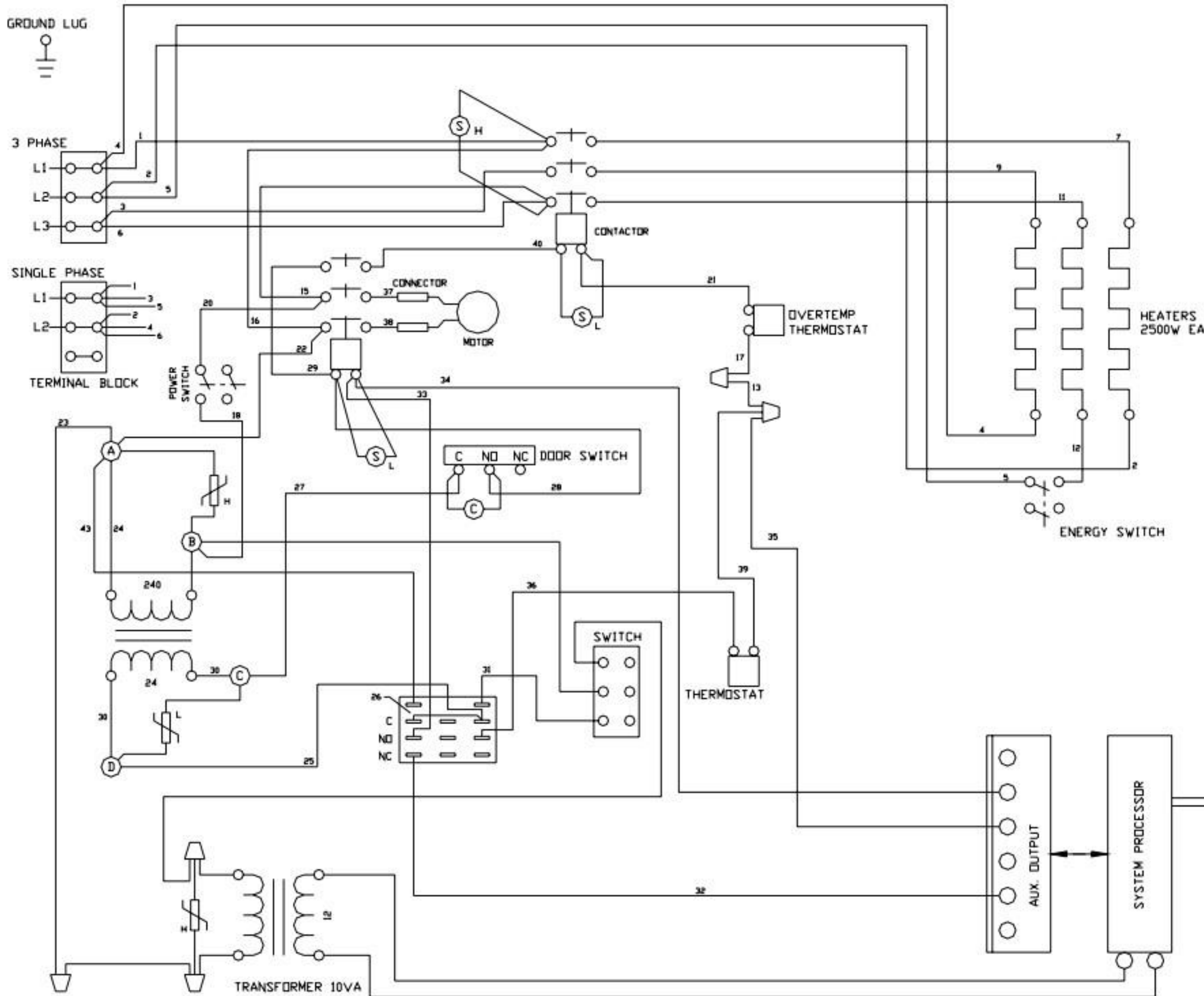
	VOLTS	KW			AMPS				
		L1-L2	L2-L3	L3-L1	TOTAL	L1	L2	L3	I PHASE
EH	208	2.5	2.5	3.1	8.1	23.3	20.8	23.3	40
EH	240	2.5	2.5	3.1	8.1	20.2	18.0	20.2	33.8

SERVICE CONNECTIONS					
THREE PHASE			SINGLE PHASE		
L1	L2	L3	L1	L2	
1-4	2-5	3-6	1-3-5	2-4-6	

PURPLE-PLUS

QTY	ITEM	PART NUMBER	DESCRIPTION / MATERIAL
LANG MANUFACTURING			
DR: SRC DATE: 2-24-98		TITLE: W/D EH PP WITH 2 SPEED	
CK: F&O DATE: 3-19-98		MOTOR 208/240VAC	
TOLERANCES FRACTIONS DECIMALS ± 1/64 .X ± .05 ANGLES .XX ± .03 ± .5° .XXX ± .015 UNLESS OTHERWISE SPECIFIED DIMENSIONS ARE IN INCHES		NEXT HIGHER ASSY.	SHEET
SCALE: TO FIT		1 OF 1	DRAWING NUMBER
		61111-147	REV
			A

REVISION BLOCK						
REV	ECN NO.	DESCRIPTION	DR:	MFG	ENG	DATE
E		REMOVED SNUBBER	SRC			3-5-98



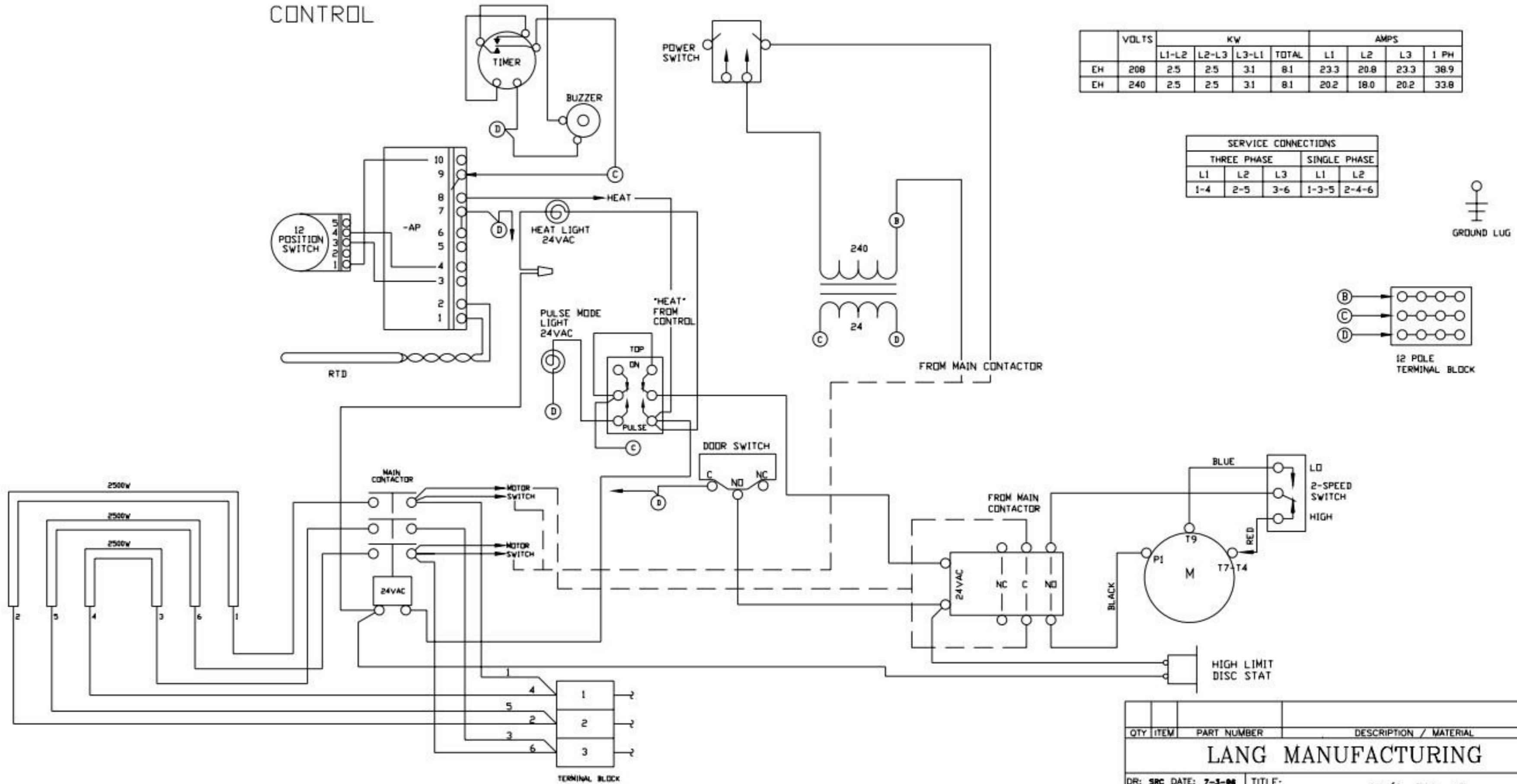
- (S) SNUBBER
- (C) CAPACITOR
- 47Z1
- ZHR14X431

KW				AMPS							
				208V 3 PHASE			240V 3 PHASE			SINGLE PHASE	
L1-L2	L2-L3	L3-L1	TOTAL	L1	L2	L3	L1	L2	L3	208V	240V
2.5	2.5	2.8	7.8	22.1			19.1			37.5	32.5

QTY		ITEM	PART NUMBER	DESCRIPTION / MATERIAL
LANG MANUFACTURING				
DR: SRC		DATE: 10-8-97		TITLE: EHS-C 208/240VAC
CK: FJD		DATE: 10-7-97		WITH BACKUP THERMOSTAT
TOLERANCES				NEXT HIGHER ASSY.
FRACTIONS: ± 1/64 DECIMALS: .X ± .06 ANGLES: .XX ± .03 ± .5° .XXX ± .015 UNLESS OTHERWISE SPECIFIED DIMENSIONS ARE IN INCHES				
SCALE: TO FIT		SHEET	DRAWING NUMBER	REV
		1 OF 1	61111-39	E

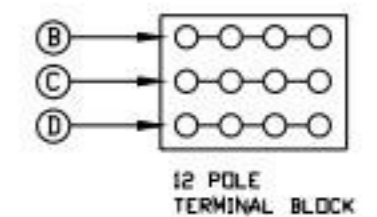
REVISION BLOCK						
REV	ECN NO.	DESCRIPTION	DR:	MFG	ENG	DATE
A		ADDED HIGH LIMIT DISC STAT	SRC			11-7-97

-AP
CONTROL



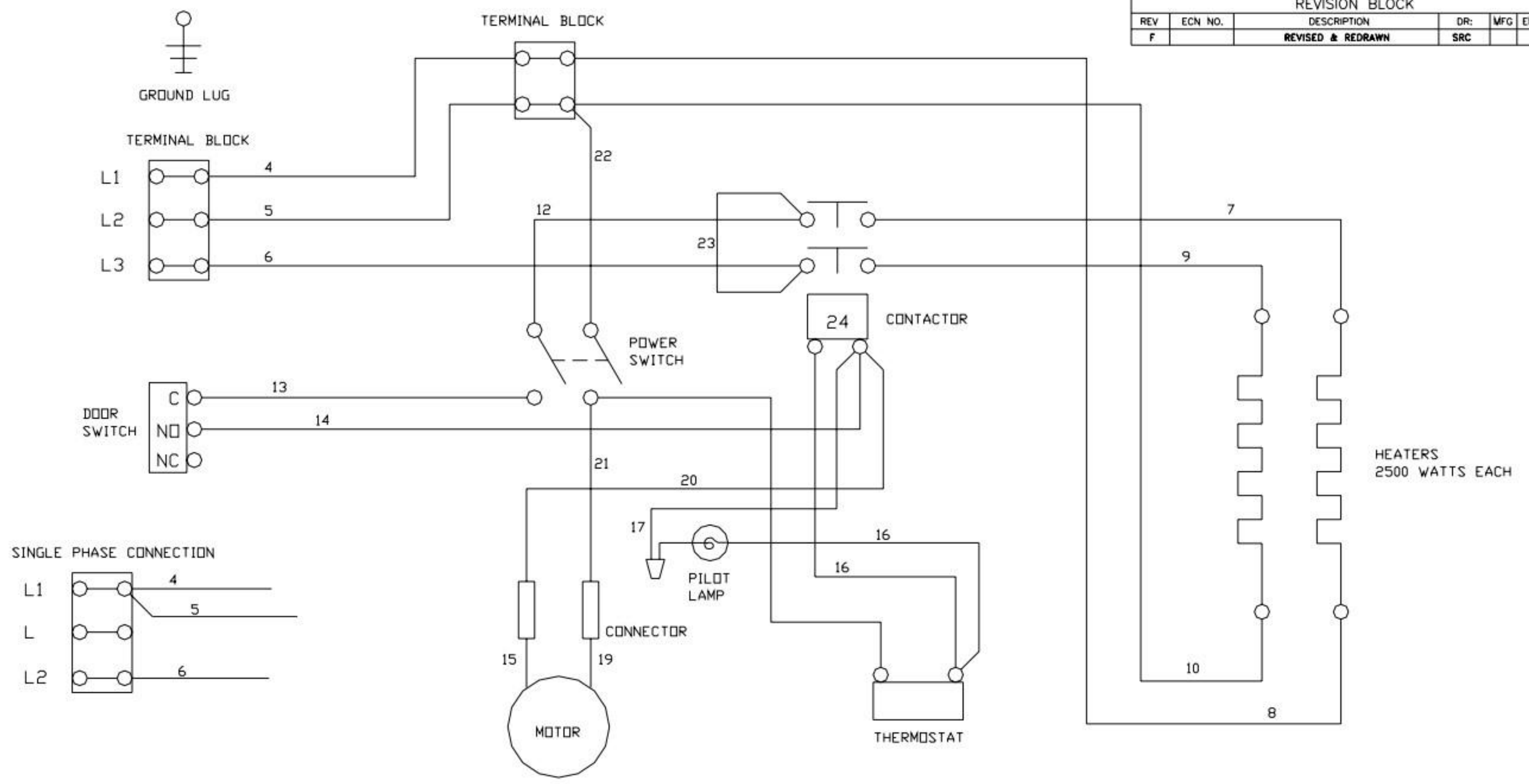
	VOLTS	KW				AMPS			
		L1-L2	L2-L3	L3-L1	TOTAL	L1	L2	L3	1 PH
EH	208	2.5	2.5	3.1	8.1	23.3	20.8	23.3	38.9
EH	240	2.5	2.5	3.1	8.1	20.2	18.0	20.2	33.8

SERVICE CONNECTIONS				
THREE PHASE			SINGLE PHASE	
L1	L2	L3	L1	L2
1-4	2-5	3-6	1-3-5	2-4-6



QTY	ITEM	PART NUMBER	DESCRIPTION / MATERIAL
LANG MANUFACTURING			
DR: SRC DATE: 7-3-98		TITLE: W/D EH-AP	
CK: FAD DATE: 7-3-98		208-240VAC	
TOLERANCES FRACTIONS DECIMALS ± 1/64 .X ± .06 ANGLES .XX ± .03 ± .0° .XXX ± .015 UNLESS OTHERWISE SPECIFIED DIMENSIONS ARE IN INCHES		NEXT HIGHER ASSY.	SHEET
SCALE: TO FIT		1 OF 1	DRAWING NUMBER
			61111-135
			REV
			A

REVISION BLOCK						
REV	ECN NO.	DESCRIPTION	DR:	MFG	ENG	DATE
F		REVISED & REDRAWN	SRC			12-15-97



KW				AMPS							
				208V 3 PHASE			240V 3 PHASE			SINGLE PHASE	
L1-L2	L2-L3	L1-L3	TOTAL	L1	L2	L3	L1	L2	L3	208V	240V
0.0	3.1	2.5	5.6	12.0	14.9	23.3	10.4	12.9	20.2	26.9	23.3

QTY	ITEM	PART NUMBER	DESCRIPTION / MATERIAL
LANG MANUFACTURING			
DR: SRC DATE: 12-15-97		TITLE: WIRING DIAGRAM	
CK: DATE:		EHS-T 208/240V 5.3 KW	
TOLERANCES FRACTIONS DECIMALS 1/64 .005 ANGLES .XX ± .03 X .5 .XXX ± .015 UNLESS OTHERWISE SPECIFIED DIMENSIONS ARE IN INCHES		NEXT HIGHER ASSY.	SHEET
SCALE: TO FIT		1 OF 1	DRAWING NUMBER
		61111-24	REV
			F