



## **Spare part list**

**Combi steamer Joker<sup>MT</sup> 2/3**

**Combi steamer Joker<sup>MT</sup> 1/1**

**Combi steamer GMTC 1/1**

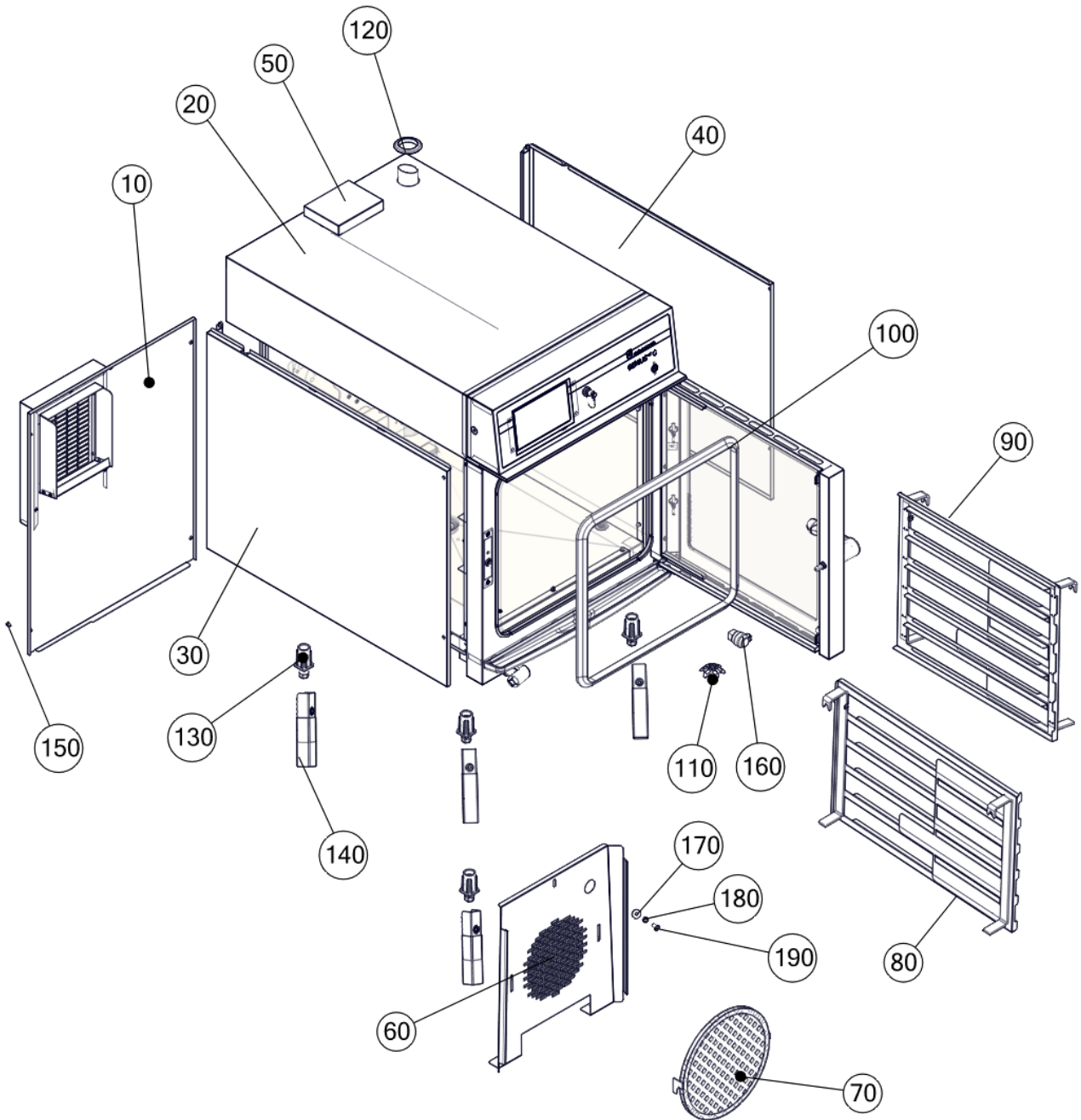
**Series/15**



**Index of contents JokerMT 2/3 JokerMT 1/1 GMTC 1/1 - series/15**

	Page
Mounting parts	4
Door, door latch	6
Control unit	8
Motor, heating	10
E-Base	12
Exhaust supply air, e-parts general	14
Valves and hand shower	16
Autoclean	18
Condensation hood KH 1	20
Water tank option	22
External sensors	24
Harnesses	26

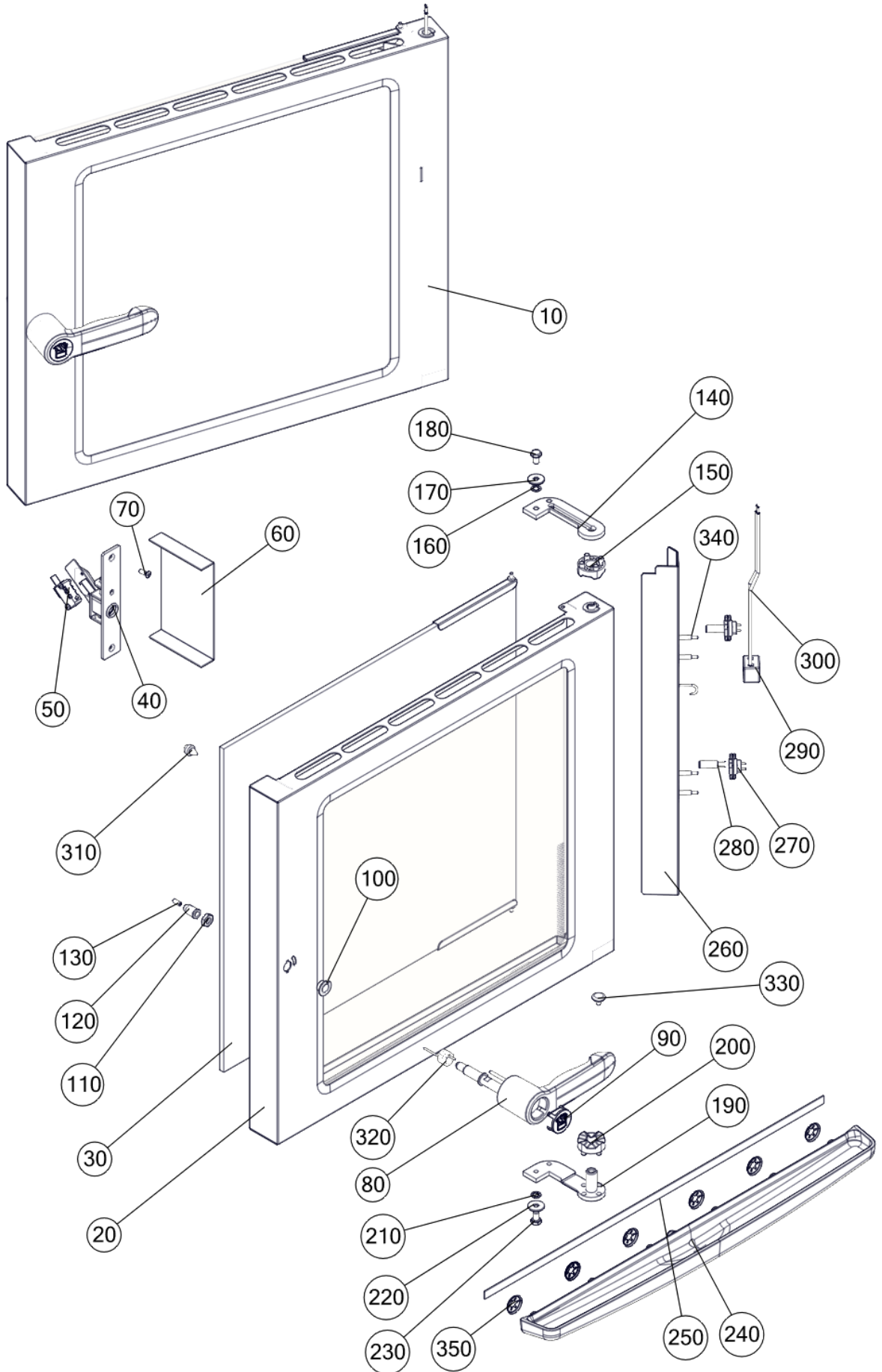
Mounting parts JokerMT 2/3 JokerMT 1/1 GMTC 1/1 - series/15



**Mounting parts Joker MT 2/3 Joker MT 1/1 GMTC 1/1 - series/15**

			Joker <sup>MT</sup> 2/3	Joker <sup>MT</sup> 1/1	GMTC 1/1
10	EL2001686	BACK WALL COMPL.GMTC	x	x	x
20	EL2001939	E-ROOM COVER JOKER MT 2/3	x		
	EL2001904	E-ROOM COVER JOKER MT 11		x	x
30	EL2001941	SIDE WALL B COMPL.JOKER MT 2/3	x		
	<a href="#">EL2001935</a>	SIDE WALL B COMPL.JOKER MT 11		x	x
40	EL2001940	SIDE WALL A COMPL.JOKER MT 2/3	x		
	EL2001934	SIDE WALL A COMPL.JOKER MT 11		x	x
50	EL2001809	CAP COMPL. COVER GMTC	x	x	x
60	EL2001613	AIR BAFFLE GMTC-23	x		
	EL2001573	AIR BAFFLE GMTC-33		x	x
70	EL0776041	FAT FILTER 623 03	x	x	x
80	EL0501957	HANG-IN-RACK 07 623	x		
	<a href="#">EL2002039</a>	HANG-IN-RACK LEFT CPL. JOKER MT 11 STANDARD		x	x
90	EL0501957	HANG-IN-RACK 07 623	x		
	EL2002042	HANG-IN-RACK RIGHT CPL. JOKER MT 11 STANDARD		x	x
100	EL0693219	DOOR SEALING D2K 623	x	x	x
110	EL0781703	FILTER CAP 623	x	x	x
120	EL0584096	GASKET DRAIN	x	x	x
130	EL2001784	FOOT DRILLED GMTC	x	x	x
140	EL2001975	BASE EXTENSION COMPL. GMTC			x
150	EL0001015	LENS HEAD SCREW DIN 7985 M4X8 V2A	x	x	x
160	EL2001520	USB SOCKET WITH CAP	x	x	x
170	EL0000582	WASHER DIN 9021 6,4 V2A	x	x	x
180	EL0892912	LOCK WASHER DIN 6797 J6,4 V2A	x	x	x
190	EL0251836	HEXAGON HEAD SCREW DIN 933 M6X10 V2A	x	x	x

Door, door latch JokerMT 2/3 JokerMT 1/1 GMTC 1/1 - series/15

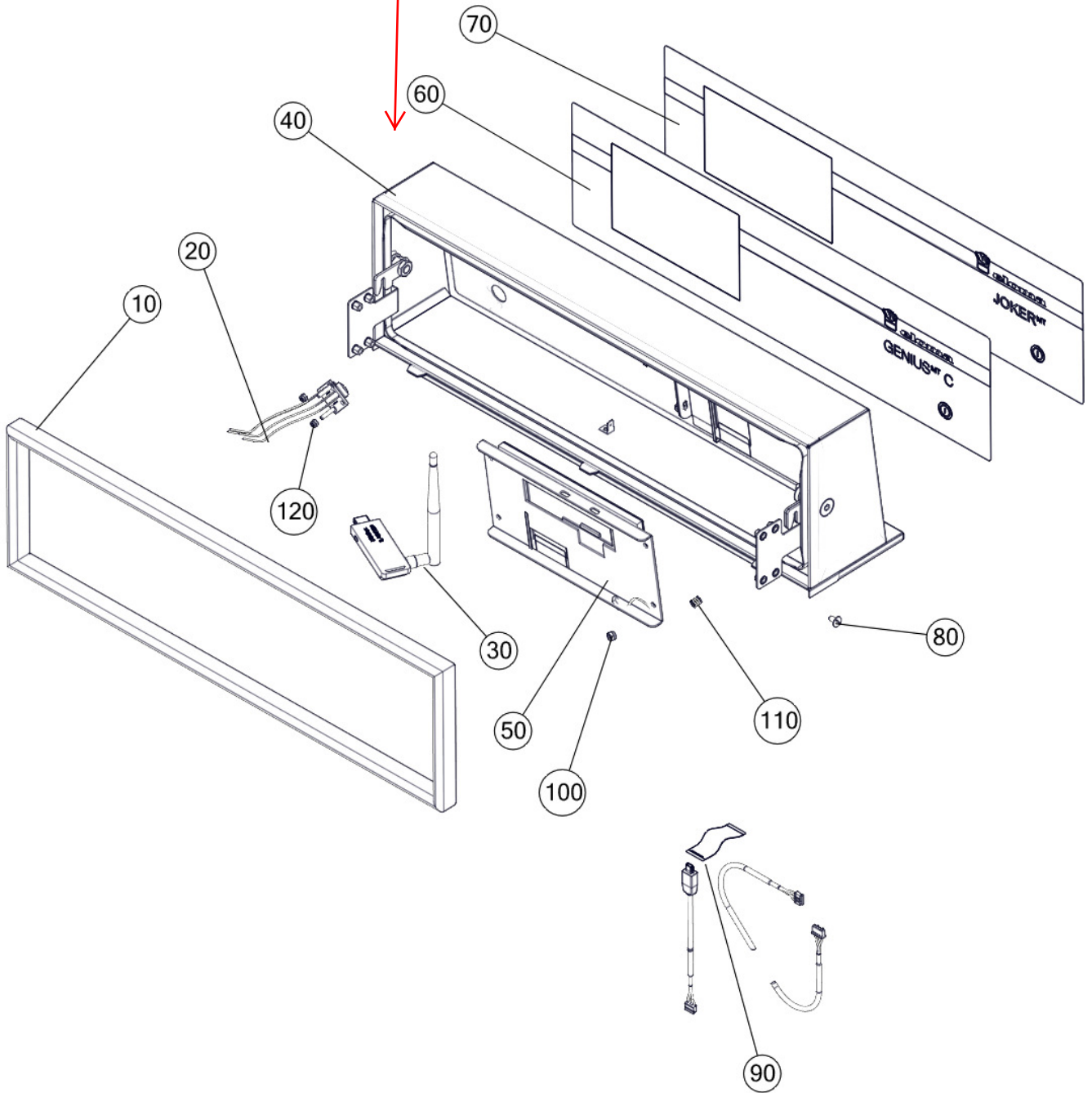


**Door, door latch Joker MT 2/3 Joker MT 1/1 GMTC 1/1 - series/15**

			Joker <sup>MT</sup> 2/3	Joker <sup>MT</sup> 1/1	GMTC 1/1
10	EL2000511	DOOR ASSEMB. JOKER MT RA	X	X	X
	EL2001786	DOOR ASSEMB. JOKER MT LA	X	X	X
20	EL2000509	DOOR COMPL. GMTC RA	X	X	X
	EL2001594	DOOR COMPL. GMTC LA	X	X	X
30	EL0501938	INTERNAL DOOR CPL. 611 07	X	X	X
40	EL0980080	LOCKING UNIT D2K 623 MOUNTED	X	X	X
	<i>Option</i>				
	EL2001973	DOOR LATCH JOKER MT TWO-STAGE	X	X	X
50	EL0510228	MICROSWITCH STRIPPED	X	X	X
60	<a href="#">EL0782408</a>	COVER SHEET	X	X	X
70	EL0039411	ROUNDED COUNTERSUNK HEAD SCREW DIN 966 M4	X	X	X
80	EL2000802	LEVER COMPL.RA JOKER 013	X	X	X
80	EL2000803	LEVER COMPL.LA JOKER 013	X	X	X
90	EL2000097	PLUG 6451.0065-JOKER	X	X	X
100	EL0782432	COLLAR BUSH	X	X	X
110	EL0012157	HEXAGON NUT LOW DIN 439 M8 V2A	X	X	X
120	EL0588458	BOLT LOCKING D2K 623	X	X	X
	<i>Option</i>				
	<a href="#">EL2001972</a>	LOCKING BOLT JOKER MT TWO-STAGE	X	X	X
130	EL0588512	THREADED PIN DIN 914 M4X10	X	X	X
140	EL2001396	HINGE WEB TOP COMPL. RA GMTC	X	X	X
	EL2001571	HINGE WEB TOP COMPL. LA GMTC	X	X	X
150	<a href="#">EL0875023</a>	REST DISK	X	X	X
160	EL0892912	LOCK WASHER DIN 6797 J6,4 V2A	X	X	X
170	EL0000582	WASHER DIN 9021 6,4 V2A	X	X	X
180	EL0251836	HEXAGON HEAD SCREW DIN 933 M6X10 V2A	X	X	X
190	EL0501944	HINGE WEB BOTTOM RA 07 623	X	X	X
	EL0501983	HINGE WEB BOTTOM LA 07 623	X	X	X
200	<a href="#">EL0875023</a>	REST DISK	X	X	X
210	EL0892912	LOCK WASHER DIN 6797 J6,4 V2A	X	X	X
220	EL0000582	WASHER DIN 9021 6,4 V2A	X	X	X
230	EL0251836	HEXAGON HEAD SCREW DIN 933 M6X10 V2A	X	X	X
240	<a href="#">EL0781207</a>	DRAIN TRENCH BLACK D2K 623	X	X	X
250	<a href="#">EL2001902</a>	ADHESIVE BAND SELF-ADHESIVE NBR 6X2	X	X	X
260	EL2000506	SIDE RAIL LIGHTING T. JOKER RA GMT	X	X	X
	EL2001791	SIDE RAIL LIGHTING T JOKER 013 LA	X	X	X
270	EL0577294	HALOGEN LAMP HOLDER	X	X	X
280	EL0570478	HALOGEN LAMP 12V 20W	X	X	X
290	EL0504208	CLAMP 15 A 2-POLES	X	X	X
300	<a href="#">EL2000913</a>	LIGHTING CABLE JOKER 013	X	X	X
310	EL0886726	RUBBER	X	X	X
320	EL0783390	TORSION SPRING RA 623 03	X	X	X
330	EL0504756	PUFFER	X	X	X
340	EL2000740	COLLAR STUD D 4 X 32 - M3	X	X	X
350	<a href="#">EL0781649</a>	CONNECTION PLATE	X	X	X

Control unit JokerMT 2/3 JokerMT 1/1 GMTC 1/1 series/15

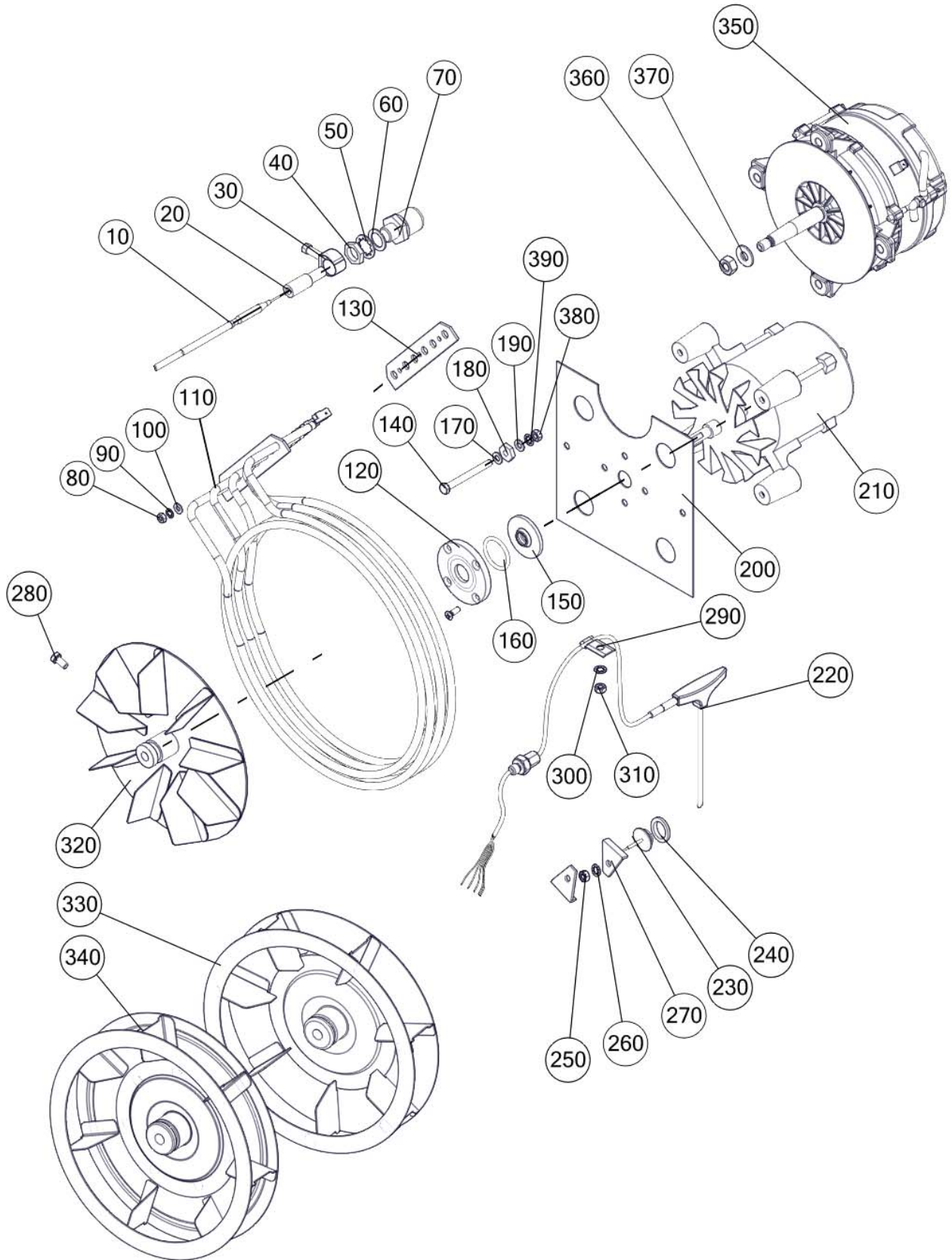
EL2001500 BEDIENTEIL MONT.JOKER  
MT incl. JokerMT label, display and switch



**Control unit Joker MT 2/3 Joker MT 1/1 GMTC 1/1 - series/15**

			Joker <sup>MT</sup> 2/3	Joker <sup>MT</sup> 1/1	GMTC 1/1
10	EL2000321	SEALING FRAME CONTROL PANEL GMTC	x	x	x
20	EL2000698	BUTTON ON-OFF 013	x	x	x
	<i>Optional</i>				
30	EL2002158-ET	<b>W-LAN KIT GMT/JMT</b> TAPE DOUBLE-SIDED TESA 62508 CABLE TIE 3.6 X 141 PA6.6 NATURE INSTALLATION MANUAL W-LAN-KIT JMT/GMT	x	x	x
40	EL2001424	CONTROL PANEL COMPL.GENIUS MT COMPACT	x	x	x
50	EL2002031	SCREEN W.HOLDER JOKER MT(ET)	x	x	x
60	EL2001893	FILM KEYPAD GENIUS MTC			x
70	EL2001629	FILM KEYPAD JOKER MT ELOMA	x	x	
	EL2002301	FILM KEYPAD JOKER MT METOS	x	x	
	EL2002302	FILM KEYPAD JOKER MT ROSINOX	x	x	
	EL2002303	FILM KEYPAD JOKER MT ELOMA BLACK	x	x	
	EL2002304	FILM KEYPAD JOKER MT ELOMA SILVER	x	x	
	EL2002234	FILM KEYPAD JOKER MT KITAZAWA	x	x	
80	EL0525316	Cap screw M4x8 V2A			
90	EL2002221	<b>CABLE SET CONTROL PANEL JOKER MT</b> CABLE FLAT L=300MM, 40 PIN CABLE BACKLIGHT EXTENSION 300 MM CABLE TOUCH EXTENSION 300MM CABLE TOUCH I.O.-BOARD JOKER MT	x	x	x
100	<a href="#">EL0749699</a>	HEXAGONAL NUT M4 SELF-LOCKING	x	x	x
110	EL2002157	SPRING DI 5.5 D0.8 LO 10.5 DIN2098	x	x	x
120	EL0749842	LOCK NUT M3	x	x	x

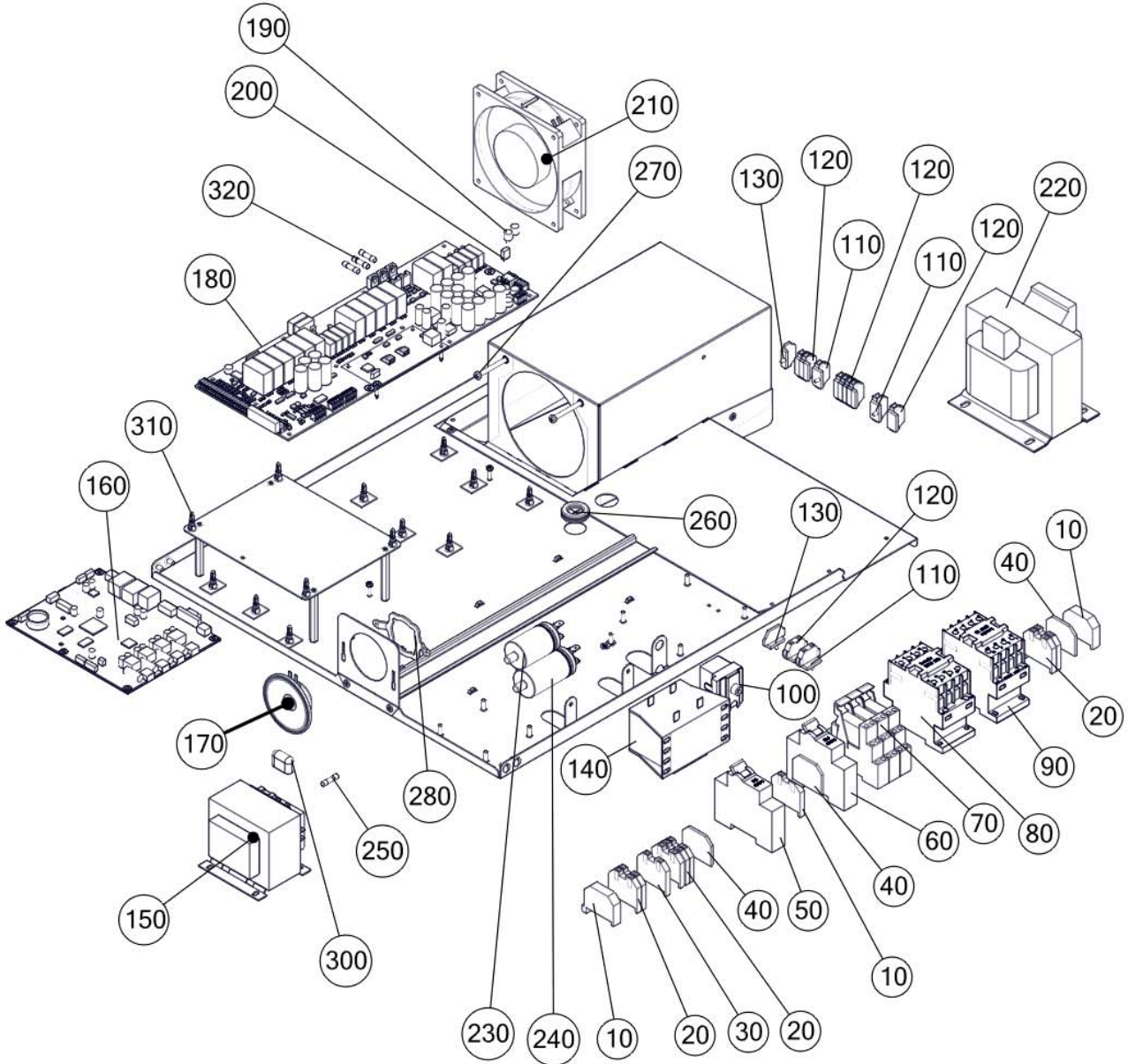
Motor, Heating JokerMT 2/3 JokerMT 1/1 GMTC 1/1 series/15



**Motor, Heating JokerMT 2/3 JokerMT 1/1 GMTC 1/1 Serie/15**

			Joker <sup>MT</sup> 2/3	Joker <sup>MT</sup> 1/1	GMTC 1/1
10	EL0570621	NICRNI SENSOR	x	x	x
20	EL0336211	INSERT TEFLON	x	x	x
30	<a href="#">EL0277665</a>	HOSE CLIP 9-14	x	x	x
40	EL0035637	HEXAGON NUT R 1/4 SW 19X6	x	x	x
50	EL0758574	LOCK WASHER DIN 6797 A12,5 V2A	x	x	x
60	EL0582247	GASKET RING 13X19X1 DIN 7603 CU	x	x	x
70	EL0336394	PROTECTION METAL SCREEN NICRNI	x	x	x
80	EL0003905	HEXAGON NUT DIN 934 M4 V2A	x	x	x
90	EL0050849	LOCK WASHER DIN 6797 J4,3 V2A	x	x	x
100	EL0001007	WASHER DIN 125 A4,3 V2A	x	x	x
110	<a href="#">EL0693383</a>	HEATING ELEMENT 3X1900W	x		
	EL2001414	HEATING ELEMENT GMTC 7500W -11		x	
	EL2001636	HEATING ELEMENT GMTC 11 8170 W UL			x
120	EL0693324	SHAFT SEALING SUPPORT EB 30 D2K 623	x	x	x
130	EL0693340	RADIATOR SEAL ED 6-23	x		
	EL2001630	SEAL GMTC 11 RADIATOR		x	x
140	EL0693359	HEXAGON HEAD SCREW DIN 933 M5X50 V2A	x		
	EL0527165	HEXAGON HEAD SCREW DIN 933 M6X50 V2A		x	x
150	EL0897914	SHAFT SEALING RING	x	x	x
160	EL0505056	O-RING 26,64X2,62	x	x	x
170	EL0693367	WASHER DIN 125 A5,3 CU	x		
	EL0251232	GASKET D 6X10X1,5 DIN 7603 CU		x	x
180	EL0585874	MOTOR SPACER EB 30 D2K 623	x	x	x
	EL2002342	MOTOR DISTANCE BUSHING GMTC M6		x	x
190	EL0003980	WASHER DIN 125 A5,3 V2A	x	x	x
	EL0004014	WASHER DIN 125 A6,4 V2A			
200	EL0877948	MOTOR ISOLATING SHEET EB 30 EB 30 XL	x	x	x
210	EL0693286	MOTOR D2K L5 623 230V 30W	x		
220	<a href="#">EL0747017</a>	CORE TEMPERATURE SENSOR 06	x	x	x
230	EL0504602	SAFETY TEMPERATURE LIMITER	x	x	x
240	EL0373079	CENTRIC BUSH	x	x	x
250	EL0252867	HEXAGON NUT DIN 934 M5 V2A	x	x	x
260	EL0304816	LOCK WASHER DIN 6797 J5,3 V2A	x	x	x
270	EL0287695	SUPPORT SAFETY TEMPERATURE LIMITER	x	x	x
280	EL0003743	HEXAGON HEAD SCREW DIN 933 M5X10 V2A	x	x	x
290	<a href="#">EL0787825</a>	CABLE CLAMP CORE TEMPERATURE SENSOR	x	x	x
300	EL0304816	LOCK WASHER DIN 6797 J5,3 V2A	x	x	x
310	EL0252867	HEXAGON NUT DIN 934 M5 V2A	x	x	x
320	<a href="#">EL0693375</a>	FAN WHEEL EB 30 EB 30 XL 623	x		
330	EL2001409	FAN WHEEL GMTC 200 X 43		x	
340	EL2001886	FAN WHEEL GMTC 200 X 43 60 HZ GMTC-33			x
350	EL2001946	MOTOR MOM COMPACT		x	x
360	EL0254177	HEXAGON NUT DIN 934 M8 V2A		x	x
370	EL0593931	WASHER DU-B DA=14 DI=8 T=1		x	x
380	EL0252867	HEXAGON NUT DIN 934 M5 V2A	x		
	EL0251887	HEXAGON NUT DIN 934 M6 V2A		x	x
390	EL0304816	LOCK WASHER DIN 6797 J5,3 V2A	x		
	EL0006777	SERRATED LOCK WASHER DIN 6798 A6,4 V2A		x	x

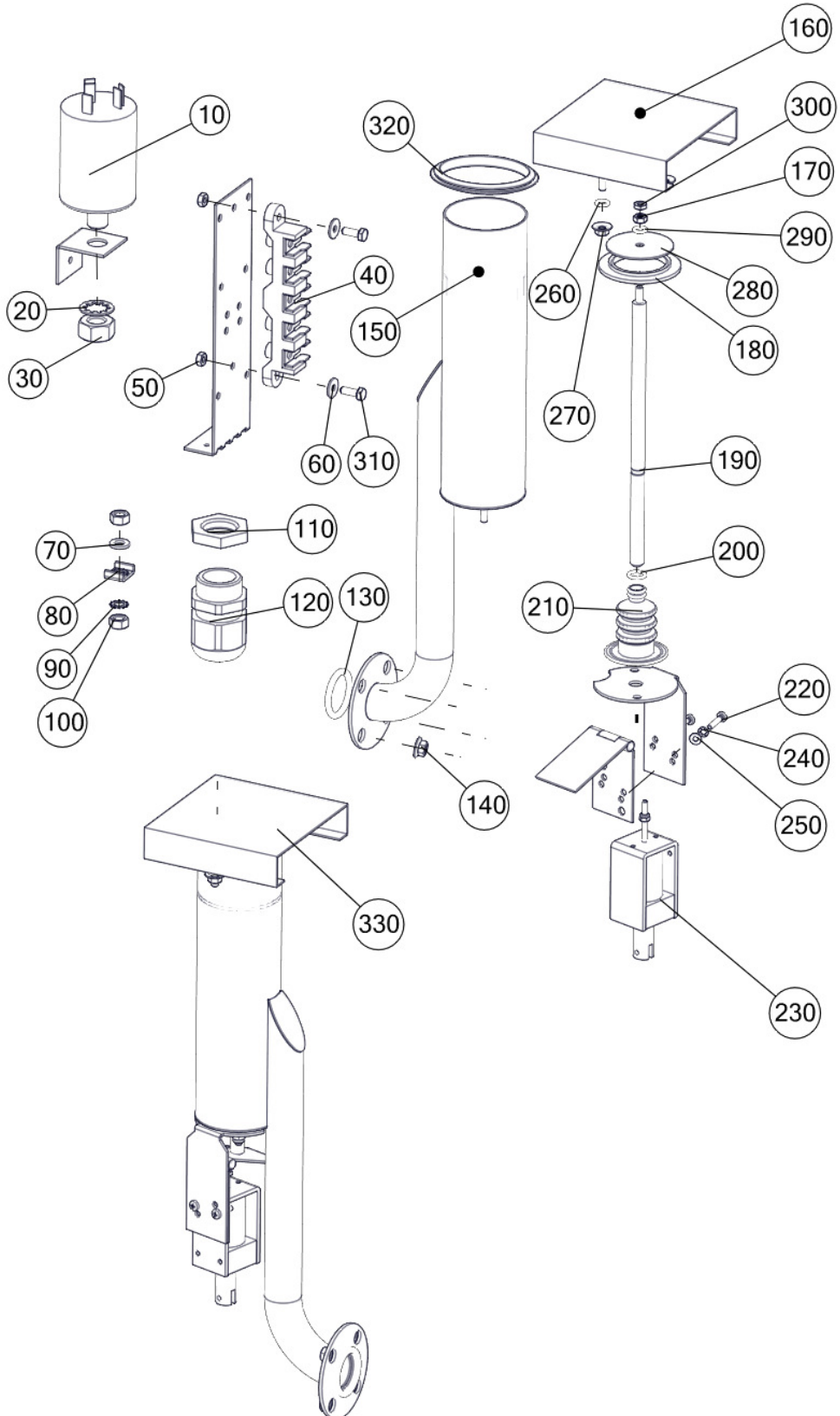
E-Base JokerMT 2/3 JokerMT 1/1 GMTC 1/1 series/15



**E-Base Joker MT 2/3 Joker MT 1/1 GMTX 1/1 - series/15**

		Joker <sup>MT</sup> 2/3	Joker <sup>MT</sup> 1/1	GMTX 1/1	
10	EL0337676	END CLAMP 10MM	x	x	x
20	EL0572055	CLAMP 4 QMM GY	x	x	x
30	EL0571067	CLAMP 4 QMM BU	x	x	x
40	EL0570966	END PLATE 4 QMM	x	x	x
50	EL2001974	CIRCUIT BREAKER B 6A 1P	x	x	x
60	EL2001691	CIRCUIT BREAKER B 10A 1-POL.	x	x	x
70	EL2001032	COUPLING-RELAYS-MODULE FINDER48.52.8.230	x	x	x
80	EL2001689	CONTACTOR BF 18-10 A 230 V260 LOVATO	x	x	x
90	EL2000765	CONTACTOR BF 09 10 A 230 V260 LOVATO	x	x	x
100	EL0504602	SAFETY TEMPERATURE LIMITER	x	x	x
110	EL0513989	TERMINAL LOCKING 2-WIRE	x	x	x
120	EL0553549	TERMINAL 2-WIRE GREY WITH FLANGE	x	x	x
130	<a href="#">EL0570907</a>	END PLATE	x	x	x
140	EL0572217	TRANSFORMER 230V/2X11,5V	x	x	x
150	EL2000522	TRANSFORMER 18V	x	x	x
160	EL2000709	CPU BOARD C2	x	x	x
	EL2000937	Micro SD Card Linux Image (to be ordered separa	x	x	x
170	EL0759877	SPEAKER D2K	x	x	x
180	EL2001850	IO-BOARD MT	x	x	x
190	EL2001651	MICRO FUSES 1 A INERT ROUND	x	x	x
200	EL2001652	MICRO FUSES 5 A INERT ANGULAR	x	x	x
210	EL0693456	AXIAL FAN 119X119X38 230V	x	x	x
220	EL0503606	TRANSFORMER STU 250/2X115	x	x	x
230	EL0693480	CAPACITOR 3 MICROFARAD	x		
	EL2002381	CAPACITOR 6 MICROFARAD		x	x
240	<a href="#">EL2002382</a>	CAPACITOR 2,5 MICROFARAD		x	x
250	EL2001846	FINE WIRE FUSE 5X20 500 MA INERT	x	x	x
260	EL0232963	SPOUT DG 16	x	x	x
270	EL0788376	LENS HEAD SCREW DIN 7985 M4X50 V2A	x	x	x
280	EL0758582	BRACKET SPEAKER	x	x	x
300	<a href="#">EL2001589</a>	SAFETY COVER	x	x	x
310	EL2001929	SPACERS F.CIRCUIT BOARD.LPL	x	x	x
320	EL0510583	FINE WIRE FUSE 4A T BREAKING CURRENT 1500A	x	x	x

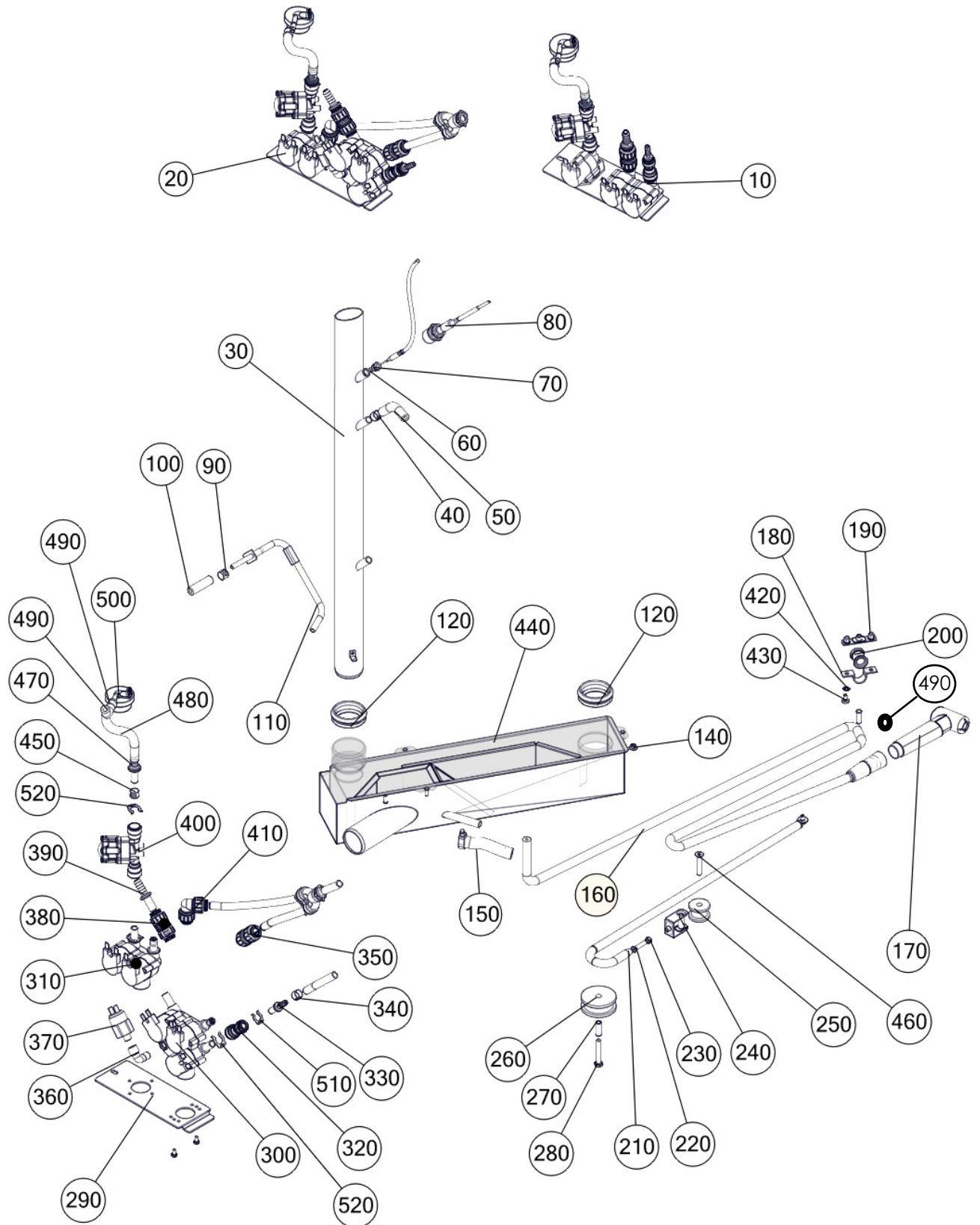
Exhaust supply air, e-parts general JokerMT 2/3 JokerMT 1/1 GMTC 1/1 series/15



**Exhaust supply air, e-parts general Joker MT 2/3 Joker MT 1/1 GMTC 1/1 - series/15**

			Joker <sup>MT</sup> 2/3	Joker <sup>MT</sup> 1/1	GMTC 1/1
10	EL0586013	INTERFERENCE FILTER	x	x	x
20	EL0758574	LOCK WASHER DIN 6797 A12,5 V2A	x	x	x
30	EL0012343	HEXAGON NUT DIN 934 M12 V2A	x	x	x
40	EL0553298	COMBI-NUT M4 V2A	x	x	x
50	EL0003905	HEXAGON NUT DIN 934 M4 V2A	x	x	x
60	EL0026999	WASHER DIN 9021 4,3 V2A	x	x	x
70	EL0004014	WASHER DIN 125 A6,4 V2A	x	x	x
80	EL0223697	SUPPORT BRIDGE M6	x	x	x
90	EL0006777	SERRATED LOCK WASHER DIN 6798 A6,4 V2A	x	x	x
100	EL0251887	HEXAGON NUT DIN 934 M6 V2A	x	x	x
110	EL0501321	LOCK NUT M25X1.5	x	x	x
120	EL0501319	CONNECTION M25X1,5	x	x	x
130	EL0753742	O-RING 23,4X3,53 VITON	x	x	x
140	EL0752746	DISK NUT M5 V2A	x	x	x
150	EL2001416	SUPPLY AIR COMPL.GENIUS MT COMPACT	x	x	x
160	EL2001809	CAP COMPL. COVER GMTC	x	x	x
170	EL0003905	HEXAGON NUT DIN 934 M4 V2A	x	x	x
180	EL0509191	GASKET AIR SUPPLY PIPE	x	x	x
190	EL0579173	LIFTING ROD AIR SUPPLY	x	x	x
200	EL0580627	O-RING 6,75X1,78 VITON	x	x	x
210	EL0566594	BELLOWS AIR SUPPLY PIPE D2K	x	x	x
220	EL0010421	LENS HEAD SCREW DIN 7985 M3X12 V2A	x	x	x
230	EL2001644	LIFTING MAGNET BISTABLE FABRICATED	x	x	x
240	EL0050822	LOCK WASHER DIN 6797 J3,2 V2A	x	x	x
250	EL0000965	WASHER DIN 125 A3,2 V2A	x	x	x
260	EL0013455	O-RING 3,68X1,78	x	x	x
270	EL0553395	WASHER NUT V2A	x	x	x
280	EL0578886	FLAP SUPPLY AIR D2K	x	x	x
290	EL0013455	O-RING 3,68X1,78	x	x	x
300	EL0006637	HEXAGON NUT LOW DIN 439 M4 V2A	x	x	x
310	EL0873470	HEXAGON HEAD SCREW DIN 933 M4X12 V2A	x	x	x
320	EL2001027	EXHAUST AIR SEAL	x	x	x
330	EL2001418	SUPPLY AIR VMONT JOKER MT	x	x	x

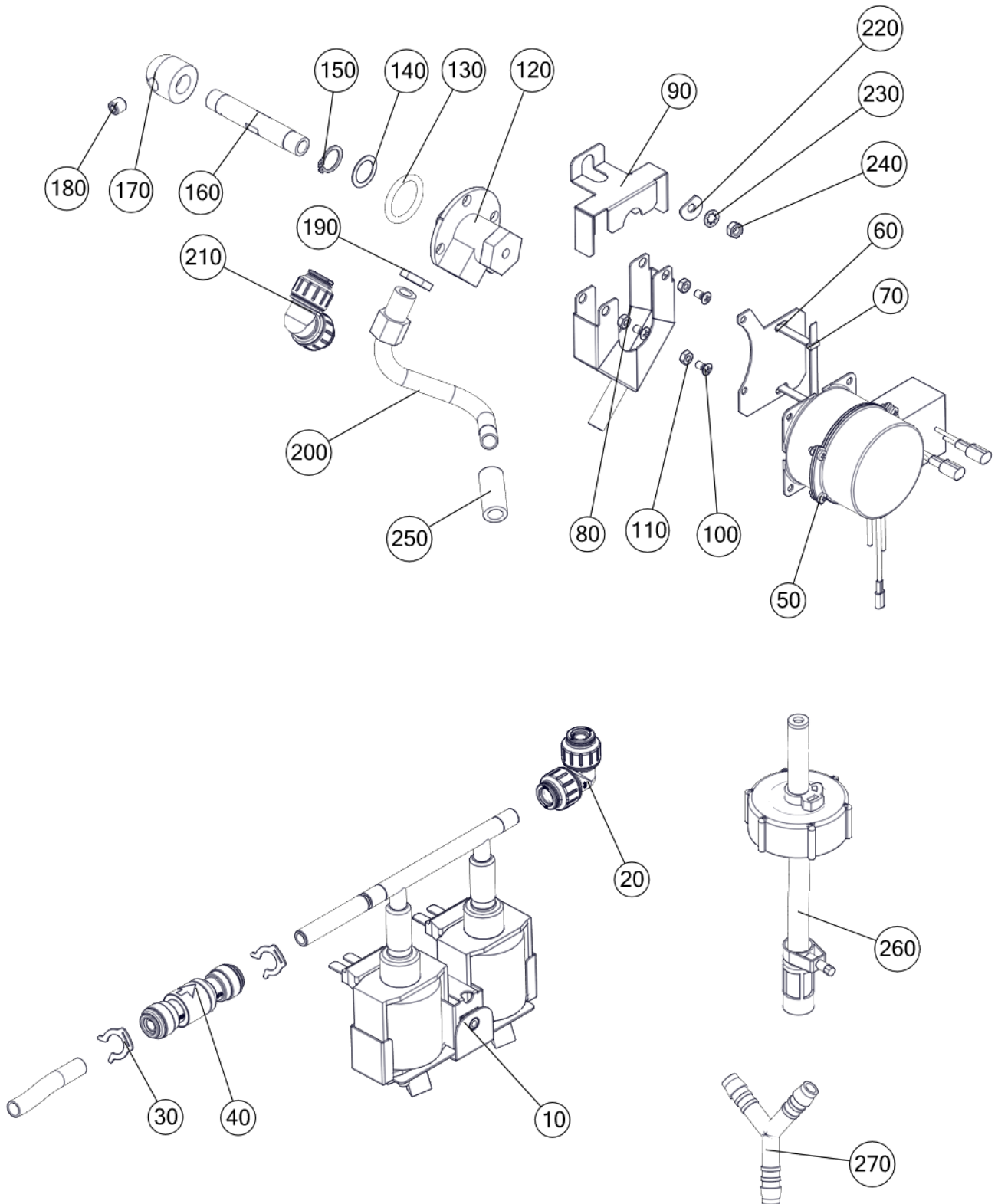
### Valves and hand shower JokerMT 2/3 JokerMT 1/1 GMTC 1/1 series/15



## Valves and hand shower JokerMT 2/3 JokerMT 1/1 GMTC 1/1 -series/15

			Joker <sup>MT</sup> 2/3	Joker <sup>MT</sup> 1/1	GMTC 1/1
10	EL2001900	BG WATER JOKER MT 23 AC	x		
20	EL2000043	BG WATER JOKER MT 11 AC		x	x
30	EL2001512	EXHAUST PIPE COMPL.GMTC	x	x	x
40	EL0593346	CLAMPING RING	x	x	x
50	EL0593311	SILICON HOSE D6X3 TRANSPARENT	x	x	x
60	EL0268666	GASKET 3X1,5X6	x	x	x
70	EL0759864	FITTING	x	x	x
80	EL0570621	NICRNI SENSOR	x	x	x
90	EL0593346	CLAMPING RING NW 11	x	x	x
100	EL0593311	SILICON HOSE D6X3 TRANSPARENT	x	x	x
110	EL2001422	WATER SUPPLY PIPE COOKING CHAMBER GMTC-33	x	x	x
120	EL0155349	GASKET DN 40	x	x	x
130	EL2002220	EXHAUST AIR SEAL DN40			
140	EL0553395	WASHER NUT M4 V2A	x	x	x
150	EL0506222	SILICON HOSE D11X3 TRANSPARENT	x	x	x
160	EL0782599	TUBE SPRINKLER D2K 623 03	x	x	x
170	EL0783404	HANDLE PIECE WITH CHECK VALVE	x	x	x
180	EL0873322	FASTENING CLAMP	x	x	x
190	EL0782734	TURNTABLE 623 03	x	x	x
200	EL0785113	BEND PROTECTION D12X20,5	x	x	x
210	EL0782769	TENSION SPRING 623 03	x	x	x
220	EL0565482	COUNTERSUNK SCREW DIN 965 M5X25 V2A	x	x	x
230	EL0252867	HEXAGON NUT DIN 934 M5 V2A	x	x	x
240	EL0782602	BRACKET D2K 623 03	x	x	x
250	EL0782572	GUIDE ROLLER D=50 D2K 623 03	x	x	x
260	EL0782572	GUIDE ROLLER D=50 D2K 623 03	x	x	x
270	EL0782580	BUSH FOR CABLE ROLL D2K 623 03	x	x	x
280	EL0785539	HEXAGON HEAD SCREW DIN 933 M6X40 V2A	x	x	x
290	EL0508947	HOLDER SOLENOID VALVE	x	x	x
300	EL2002384	QUADRUPLE VALVE JMT GMTC ET	x	x	x
305	EL0508981	TWIN VALVE RV 0,32-0,40 L/MIN	x		
	EL0508944	RPE TWIN VALVE RMV 258 (NO ET)		x	x
310	EL2002383	TWIN VALVE JMT 23 ET	x		
	EL2002385	TWIN VALVE JMT GMTC 11 ET		x	x
315	EL0508979	SINGLE VALVE RV 0,07-0,14 L/MIN CPL.	x		
315	EL0508943	RPE SINGLE VALVE RMV 158		x	x
320	EL0508951	STRAIGHT REDUCER	x	x	x
330	EL2001140	PIPE LOCKPIN 8/6MM JG	x	x	x
340	EL2593346	CLAMPING RING NW 11	x	x	x
350	EL0508937	STRAIGHT CONNECTOR	x	x	x
360	EL0773719	CONNECTOR G 1/8"	x	x	x
370	EL0784028	PRESSURE SWITCH	x	x	x
380	EL0508937	STRAIGHT CONNECTOR	x	x	x
390	EL0508941	PIPE LOCKPIN 10mm/8mm	x	x	x
400	EL2001765	PRESSURE REDUCER R-SERIES 1.2 BAR	x	x	x
410	EL0508939	ELBOW-CONNECTOR	x	x	x
420	EL0304816	LOCK WASHER DIN 6797 J5,3 V2A	x	x	x
430	EL0189405	LENS HEAD SCREW DIN 7985 M5X10 V2A	x	x	x
440	EL2001410	SIPHON COMPL.GENIUS MT COMP.6-23, 1-1	x	x	x
450	EL0593346	CLAMPING RING NW11	x	x	x
460	EL0782629	COUNTERSUNK SCREW DIN 7991 M6X35 V2A	x	x	x
470	EL2000760	LOCK PIN COMPL.BL0,6 JG 10	x	x	x
480	EL0593311	SILICON HOSE D6X3 TRANSPARENT	x	x	x
490	EL0871907	GASKET FLAT D18XD10X4	x	x	x
500	EL0509008	FLOWMETER DIGMESA	x	x	x
510	EL2001439	PLASTIC LOCK RING 5/16"	x	x	x
520	EL0508989	PLASTIC LOCK RING 3/8"	x	x	x
	EL2001715-ET	BG CHANNEL FLOW AC JOKER MT (all hoses)	x	x	x

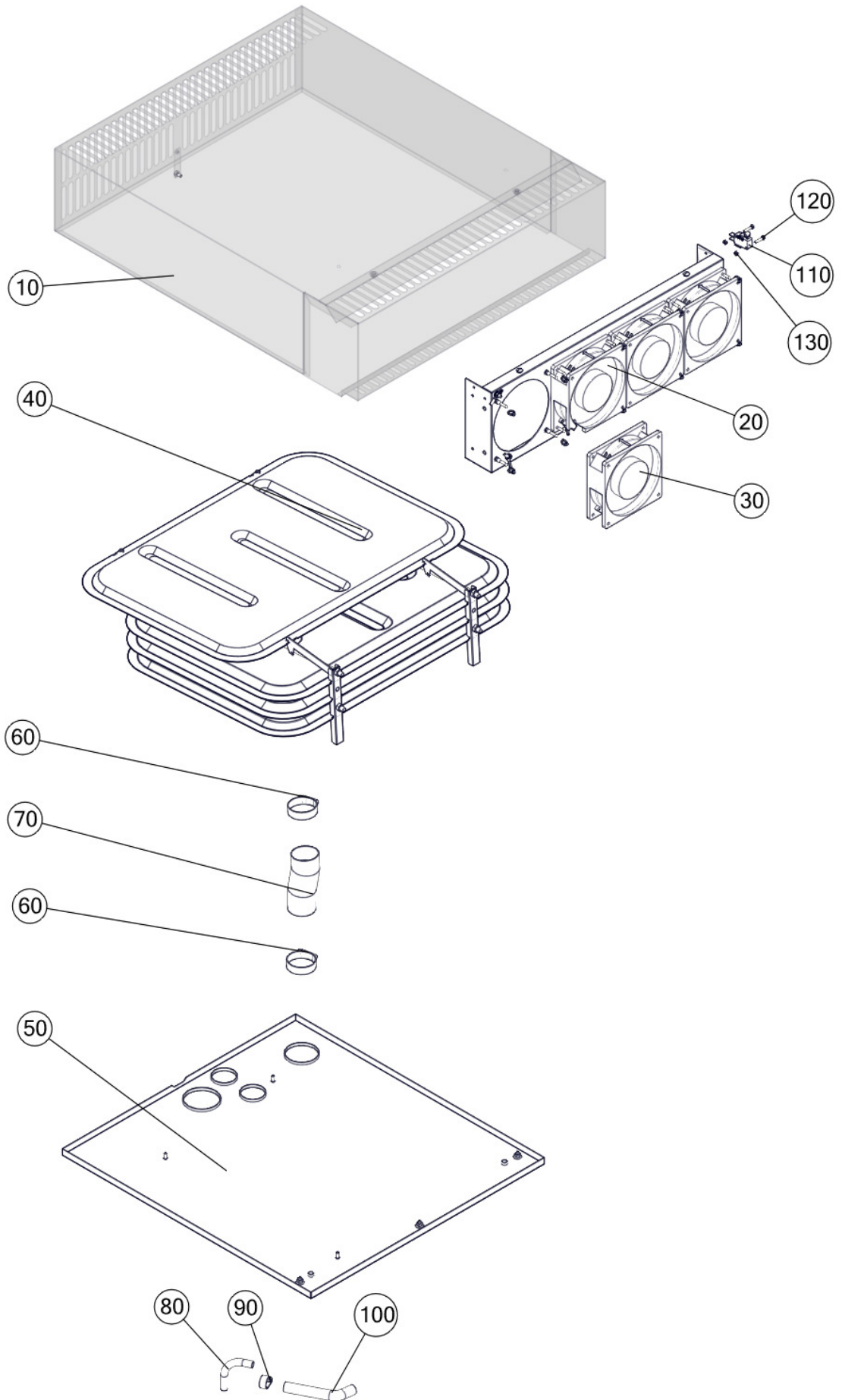
Autoclean JokerMT 2/3 JokerMT 1/1 GMTC 1/1 series/15



**Autoclean JokerMT 2/3 JokerMT 1/1 GMTC 1/1 - series/15**

			Joker <sup>MT</sup> 2/3	Joker <sup>MT</sup> 1/1	GMTC 1/1
10	EL2000632	BG PUMPS AC 61011 013	x	x	x
20	EL0508939	ELBOW-CONNECTOR	x	x	x
30	<a href="#">EL0508989</a>	PLASTIC LOCK RING 3/6"	x	x	x
40	EL2001029	JG-CHECK VALVE 10 SCV	x	x	x
50	EL2001631	AC-MOTOR 230V AC FABRICATED (LEILI)	x	x	x
60	EL2001730	CAPACITOR SUPPORT BG AC GMTC	x	x	x
70	EL0565393	CABLE TIES 178 x 4,8mm PA 6.6	x	x	x
80	EL2001725	COLLECTING CONTAINER COMPL.AC	x	x	x
90	EL2001729	LID AC (6/23 NEW)	x	x	x
100	<a href="#">EL0014249</a>	ROUNDED COUNTERSUNK HEAD SCREW DIN 966	x	x	x
110	EL0003905	HEXAGON NUT DIN 934 M4 V2A	x	x	x
120	EL0775134	HUB AUTOCLEAN RADIAL SEALING + O-RING	x	x	x
130	EL0753742	O-RING 23,4X3,53 VITON	x	x	x
140	EL0584339	SHIM RING DIN 988 14X20X0,5 V2A	x	x	x
150	EL0581011	RETAINING RING DIN 471 14X1 V2A	x	x	x
160	EL0501217	NOZZLE PIPE 07 623	x	x	x
170	EL0502027	NOZZLE AUTOCLEAN 2/3	x	x	x
180	EL0753785	THREADED PIN DIN 913 M8X8 V2A	x	x	x
190	EL0035637	HEXAGON NUT R 1/4 SW 19X6	x	x	x
200	EL0508957	SUPPLY PIPE AUTOCLEAN JOKER	x	x	x
210	EL0508939	ELBOW-CONNECTOR	x	x	x
220	EL0873462	WASHER AUTOCLEAN	x	x	x
230	EL0304816	LOCK WASHER DIN 6797 J5,3 V2A	x	x	x
240	EL0252867	HEXAGON NUT DIN 934 M5 V2A	x	x	x
250	EL0593303	SILICON HOSE D9X3 TRANSPARENT	x	x	x
260	EL0756296	ACCESSOIRES CANISTER	x	x	x
270	EL0756024	Y-SHAPED TUBE CONNECTING 10MM	x	x	x

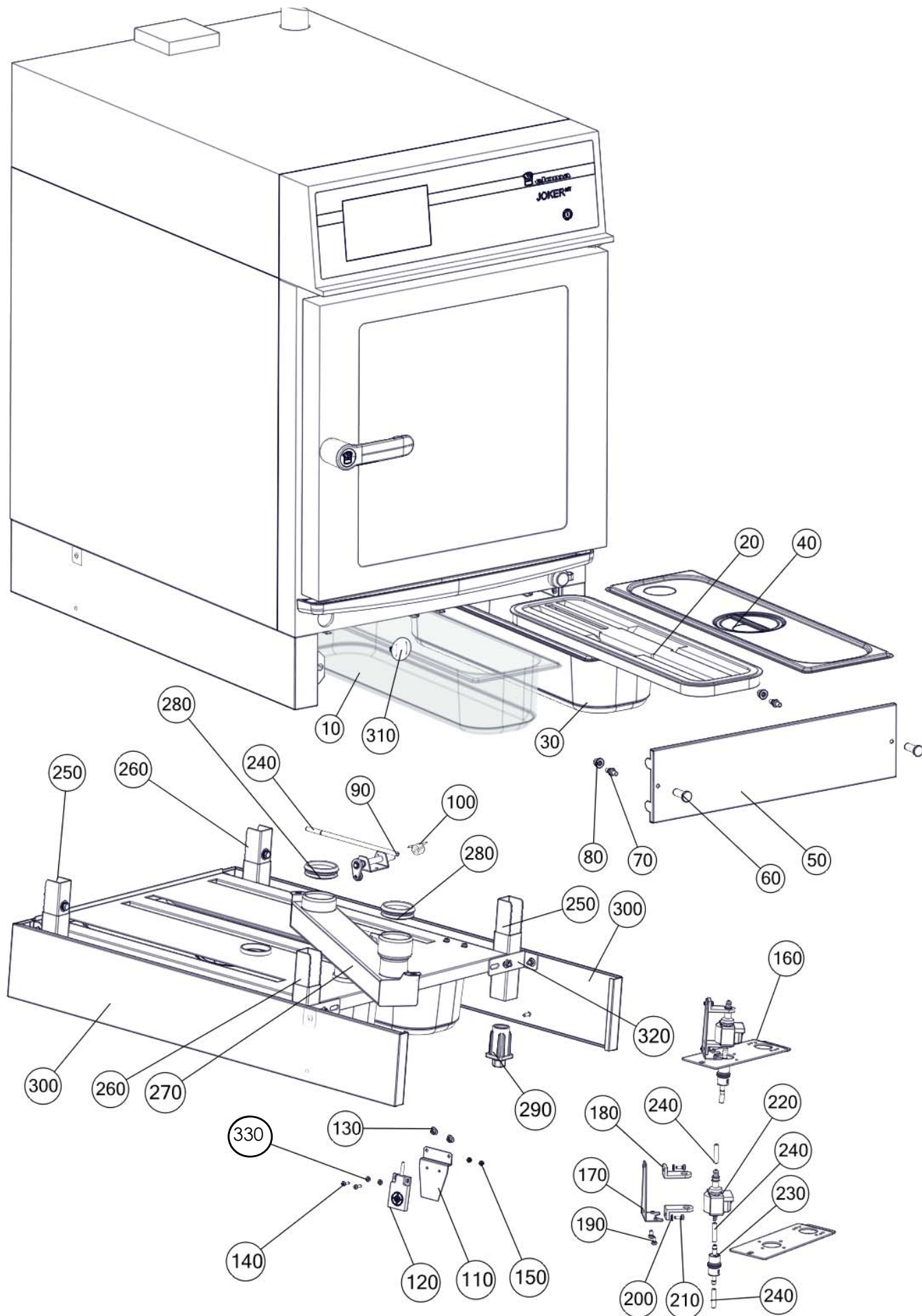
Condensation hood KH1 JokerMT 2/3 JokerMT 1/1 GMTC 1/1 series/15



**Condensation hood KH1 JokerMT 2/3 JokerMT 1/1 GMTC 1/1 - series/15**

			Joker <sup>MT</sup> 2/3	Joker <sup>MT</sup> 1/1	GMTC 1/1
10	EL0502184	HOOD COMPL KH 1	x		
	EL2001746	HOOD COMPL. KH1 GMTC-33		x	x
20	EL0509378	FAN PLATE ASSEMB. KH1	x	x	x
30	EL0693456	AXIAL FAN 119X119X38 230V	x	x	x
40	EL2001738	CAPACITOR KH1 GMTC	x	x	x
50	EL2001741	TUB COMPL.KH GMTC-23	x		
	EL2001741	TUB COMPL.KH GMTC-33		x	x
60	EL0580791	HOSE CLAMP 40-60 MM	x	x	x
70	EL0502218	SILICON HOSE D 38X4	x	x	x
80	EL0784516	WATER PIPE KH	x	x	x
90	EL0262390	FASTENING CLAMP	x	x	x
100	EL0593303	SILICON HOSE D9X3 TRANSPARENT	x	x	x
110	EL0570540	MICROSWITCH	x	x	x
120	EL0162469	LENS HEAD SCREW DIN 7985 M3X16 VA2	x	x	x
130	EL0000396	HEXAGON NUT DIN 934 M3 V2A	x	x	x

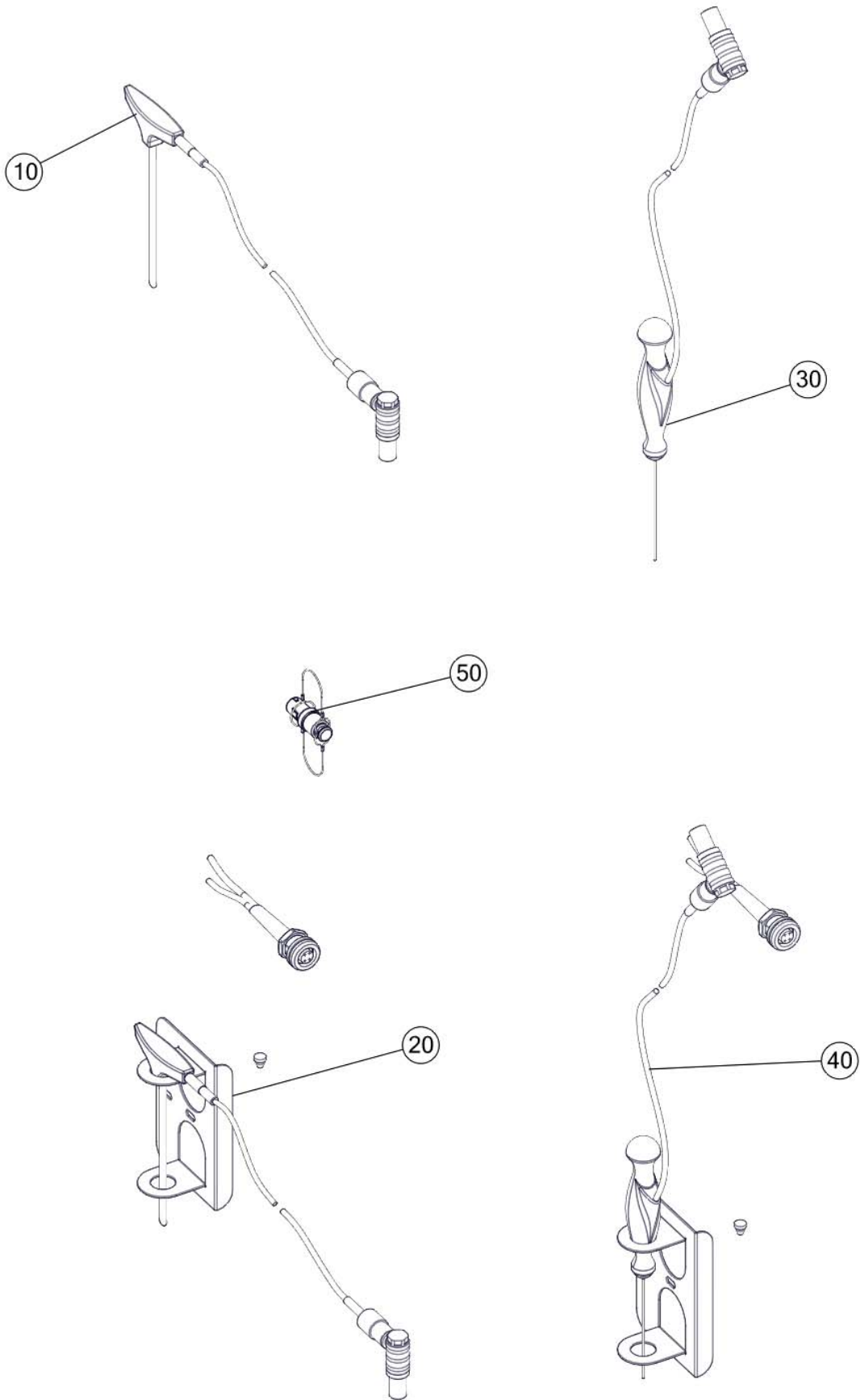
Water tank option JokerMT 2/3 JokerMT 1/1 GMTC 1/1 Serie/15



**Water tank option JokerMT 2/3 JokerMT 1/1 GMTC 1/1 - series/15**

			Joker <sup>MT</sup> 2/3	Joker <sup>MT</sup> 1/1	GMTC 1/1
10	EL2001819	GASTRONORM CONTAINER 2-4_100 POLYCARB.TRANSF.	x	x	x
20	EL2001821	FLAT COVER GASTRONORM POLYCARB.TRANSF.CLOSED	x	x	x
30	EL2001820	GASTRONORM CONTAINER 2-4_100 V2A	x	x	x
40	EL2002154	FLAT COVER GASTRONORM 2-4 STAINLESS STEEL PERFORATED	x	x	x
50	EL2002143	PANEL CPL. TANK JOKER MT	x	x	x
60	EL2002152	HANDLE PIECE	x	x	x
70	EL2002300	SNAPLOC-BALL PIN-D7-M6-PPA	x	x	x
80	EL2002299	SNAPLOC-COUPPING-D7-EPDM	x	x	x
90	EL2001833	PIPE COMPONENTS WATER TANK JOKER MT	x	x	x
100	EL0783390	TORSION SPRING RA 623 03	x	x	x
110	EL2001862	SUPPORT CAP. SENSOR TANK JOKER	x	x	x
120	EL0895474	LEVEL SENSOR CAPACITIVE	x	x	x
130	EL0553395	CLAMP 2 CONDUCTORS WITH FLANGE GY	x	x	x
140	EL0010421	LENS HEAD SCREW DIN 7985 M3X12 V2A	x	x	x
150	EL0749842	LOCK NUT M3	x	x	x
160	EL2002021	COMPONENTS WATER JOKER MT TANK	x	x	x
170	EL2002036	ANGLE PUMP	x	x	x
180	EL2002022	PUMP SUPPORT (RUBBER) ET	x	x	x
190	EL0001015	LENS HEAD SCREW DIN 7985 M4X8 V2A	x	x	x
200	EL0001007	WASHER DIN 125 A4,3 V2A	x	x	x
210	<a href="#">EL0010502</a>	LENS HEAD SCREW DIN 7985 M4X10 V2A	x	x	x
220	EL2001942	PISTON PUMP JOKER TANK W. SUPPORT	x	x	x
230	EL2002291	WATER FILTER FOR TANK DEVICE	x	x	x
240	EL0253863	HOSE D 4X2 SILCONE RUBBER	x	x	x
250	EL2001829	BASE EXTENSION COMPL. (B) TANK GMTC	x	x	x
260	EL2001828	BASE EXTENSION COMPL. (A) TANK GMTC	x	x	x
270	EL2002027	DRAIN PIPE TANK COMPL. JOKER MT	x	x	x
280	EL0155349	GASKET DN 40	x	x	x
290	EL2001784	FOOT DRILLED GMTC	x	x	x
300	EL2002132	BASE PANEL TANK DEVICE JOKER MT 23	x		
	EL2002131	BASE PANEL TANK DEVICE JOKER MT 11		x	x
310	EL0017779	CAP D 28	x	x	x
320	EL0520500	BASE FIXATION MARINE VERSION	x	x	x
330	EL0000965	WASHER DIN 125 A3,2 V2A	x	x	x

External sensors JokerMT 2/3 JokerMT 1/1 GMTC 1/1 series/15



**External sensors JokerMT 2/3 JokerMT 1/1 GMTC 1/1 - series/15**

			Joker <sup>MT</sup> 2/3	Joker <sup>MT</sup> 1/1	GMTC 1/1
10	EL2001962	<b>MEAT PROBE SENSOR EXTERNAL (SET) INCLUDES:</b> MEAT PROBE SENSOR WITH ODO-PLUG 1,7M PACKAGING FOR EXTERNAL SENSOR	x	x	x
20	EL2002055	<b>KIT MEAT PROBE SENSOR WITH BUSH EXTERNAL</b> MEAT PROBE SENSOR WITH ODO-PLUG 1,7M BUSH W. DUMMY COVER FOR MEAT PROBE OR SOUS VIDE HOLDER SOUSE VIDE PROBE ASSEMBLY MAN BUSH MEAT PROBE/SOUS-VIDE SENSOR DISTANCE RING BUSH EXTERNAL SENSOR PACKAGING FOR EXTERNAL SENSOR DUMMY PLUG MEAT PROBE BUSHING	x	x	x
30	EL2001963	<b>SOUS VIDE SENSOR EXTERNAL (SET) INCLUDES:</b> SOUS VIDE PROBE WITH ODO-PLUG 1,7M PACKAGING FOR EXTERNAL SENSOR	x	x	x
40	EL2001964	<b>KIT SOUS VIDE WITH BUSH EXTERNAL</b> SOUS VIDE PROBE WITH ODO-PLUG 1,7M BUSH W. DUMMY CAP FOR MEAT PROBE OR SOUS-VIDE HOLDER SOUSE VIDE PROBE ASSEMBLY MANUAL BUSH MEAT PROBE/SOUS-VIDE SENSOR DISTANCE RING BUSH EXTERNAL SENSOR PACKAGING FOR EXTERNAL SENSOR DUMMY PLUG MEAT PROBE BUSHING	x	x	x
50	EL2002214	PROTECTION CAP BUSH EXTERNAL SENSOR	x	x	x



**Harnesses JokerMT 2/3 JokerMT 1/1 GMTC 1/1 - series/15**

			Joker <sup>MT</sup> 2/3	Joker <sup>MT</sup> 1/1	GMTC 1/1
10	EL2001693	HARNESS JOKER MT EU	x	x	
	EL2001812	HARNESS JOKER MT UL			x
20	EL2002150	HARNESS FAN JOKER MT	x	x	x
30	<a href="#">EL2000934</a>	CABLE AUDIO L=800MM	x	x	x
40	EL2001927	CABLE FLAT L=300MM, 40 PIN	x	x	x
50	EL2001928	CABLE BACKLIGHT EXTENSION 300 MM	x	x	x
60	EL0874051	CABLE HARNESS FLOWMETER	x	x	x
70	EL0567132	CABLE DOOR CONTACT EB 30 D2K 623	x	x	x
80	EL0553271	CONNECTION TERMINAL	x	x	x
90	EL2001879	USB CABLE A ON B (1.80M)	x	x	x
100	EL2001930	CABLE TOUCH EXTENSION 300MM	x	x	x



**eloma**

EL2002224\_EN

Release 1.02

07/2015

Subject to technical changes.