

Ersatzteilliste – Spare Part List

Kombidämpfer Multimax Genius^{MT} 611 1011 UL
Elektro Gas
Serie/17

Combi Steamer Multimax Genius^{MT} 611 1011 UL
Electric Gas
Series/17



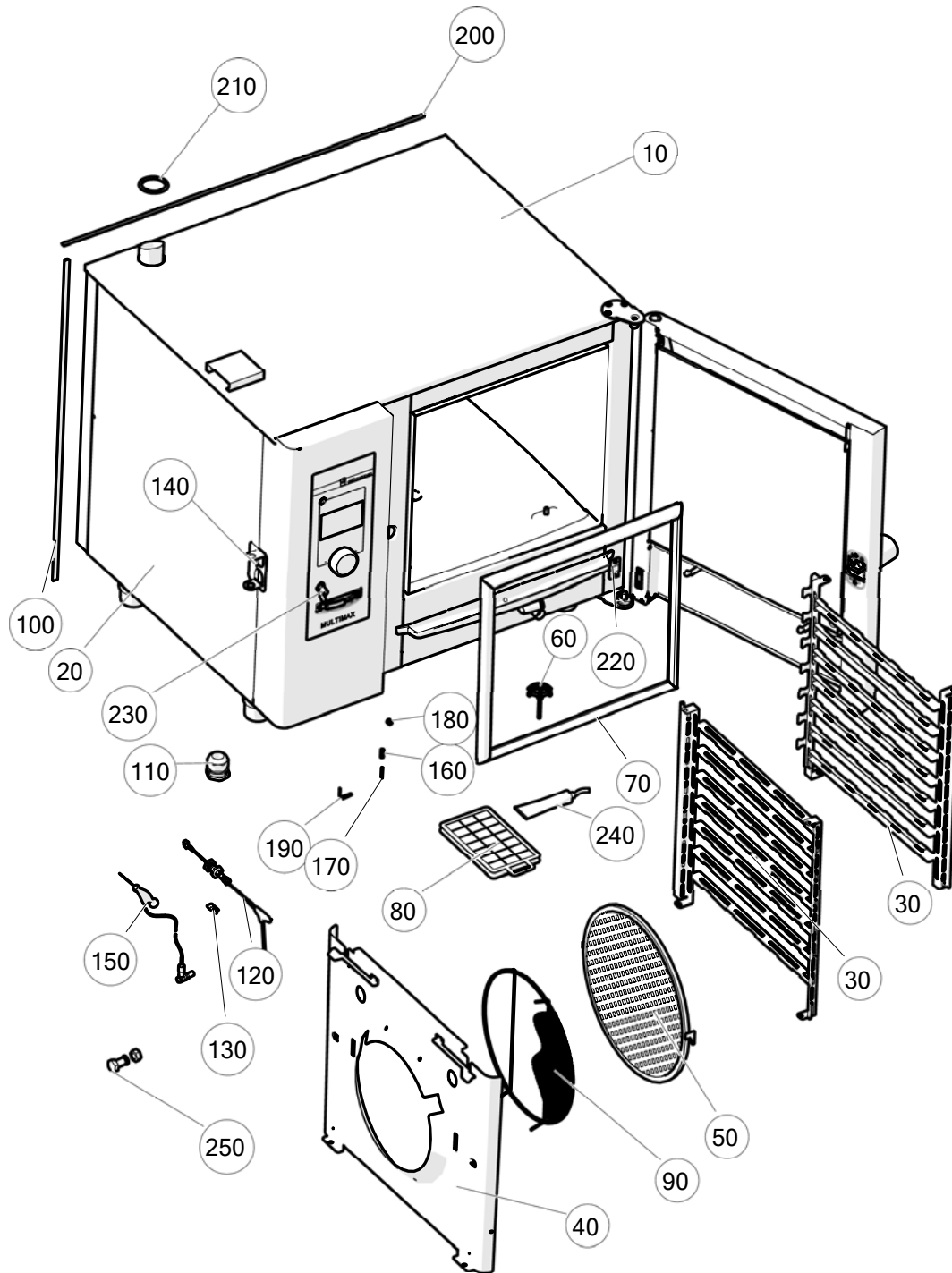
INDEX:

| | |
|---------------|----------------------------|
| RA..... | Right hinged door |
| LA..... | Left hinged door |
| KPL./CPL..... | complete |
| MM..... | MULTIMAX |
| GMT..... | GENIUSMT |
| KH2..... | Condensation hood |
| N-KH2..... | Retrofit condensation hood |
| MIX..... | Stacking devices |

Inhaltsverzeichnis - Index of contents

| | | |
|--|--|----|
| Montageteile lose MM GMT 611 1011 Serie/17 | Assembly parts MM GMT 611 1011 series/17 | 4 |
| Bedienteil MM 611 1011 Serie/17 | Control unit MM 611 1011 series/17 | 6 |
| Bedienteil GeniusMT 611 1011 Serie/17 | Control unit GeniusMT 611 1011 series/17 | 8 |
| Tür und Türverschluss MM GMT 611 1011 Serie/17 | Door and Door Latch MM GMT 611 1011 series/17 | 10 |
| Tür und Türverschluss MM GMT 611 1011 LED Serie/17 | Door and Door Latch MM GMT 611 1011 LED series/17 | 12 |
| Bodenplatte und Schlauchaufroller MM GMT 611 1011 Serie/17 | Base Plate and Hose Retractor MM GMT series/17 | 14 |
| Elektroblech MM GMT 611 1011 Elektro Serie/17 | Electrical-Assy MM GMT Electro 611 1011 series/17 | 16 |
| Elektroblech MM GMT 611 1011 Gas Serie/17 | Electrical-Assy MM GMT Gas 611 1011 series/17 | 18 |
| Motor und Heizung MM GMT Serie/17 | Motor and Heating Element MM GMT series/17 | 20 |
| Ventile MM GMT 611 1011 mit autoclean Serie/17 | Solenoid Valve 611 1011 with autoclean series/17 | 22 |
| Ventile MM GMT 611 1011 ohne autoclean Serie/17 | Solenoid Valve 611 1011 without autoclean series/17 | 24 |
| Autoclean MM GMT Serie/17 | Autoclean MM GMT series/17 | 26 |
| Ablauf und Abluftrohr MM GMT Serie/17 | Drain and Exhaust Air Pipe MM GMT series/17 | 28 |
| Zuluft MM GMT Serie/17 | Air Supply MM GMT series/17 | 30 |
| Gas MM GMT 611 1011 Series/17 | Gas MM GMT 611 1011 Series/17 | 33 |
| Kabelbaum MM GMT 611 1011 Serie/17 | Harness MM GMT 611 1011 series/17 | 34 |
| KH2 und N-KH2 Kondensationshaube MM GMT Serie/17 | KH2 and N-KH2 condensation hood MM GMT series/17 | 38 |
| Mixbausatz Elektro MM GMT 100 mm Serie/17 | Stacking kit electric units MM GMT 100 mm series /17 | 40 |
| Mixbausatz Elektro MM GMT 150 mm Serie/17 | Stacking kit electric units MM GMT 150 mm series /17 | 42 |
| Mixbausatz Gas MM GMT Serie/17 | Stacking kit gas units MM GMT series / 17 | 44 |
| Mixbausatz Gas MM GMT 150 mm Serie/17 | Stacking kit gas units MM GMT 150 mm series / 17 | 46 |
| Elektrotürverschluss MM GMT Serie/17 | Electric Door Opening Mechanism MM GMT series / 17 | 48 |

Montageteile lose MM GMT 611 1011 Serie/17 - Assembly parts MM GMT 611 1011 series/17



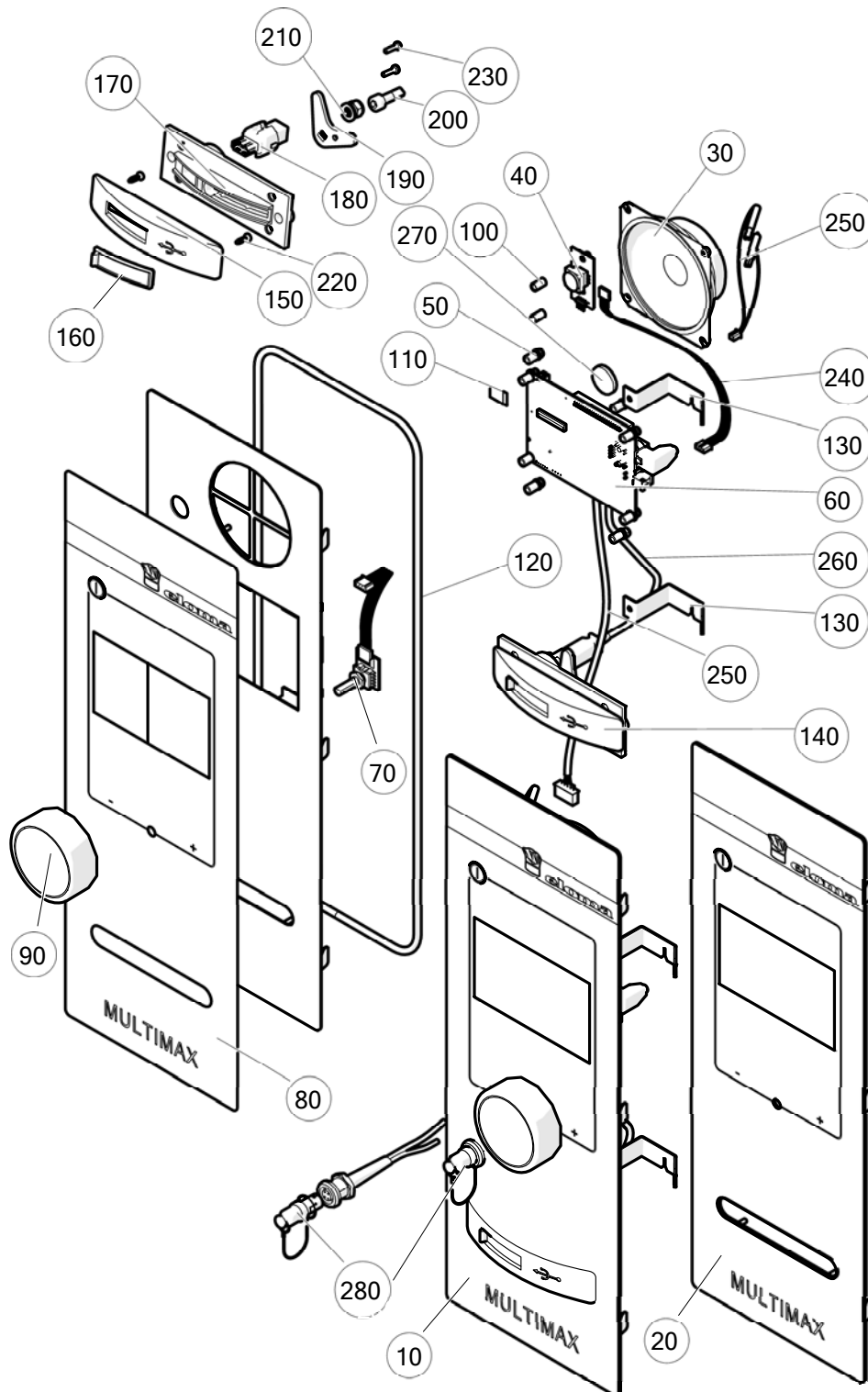
Montageteile lose MM GMT 611 1011 Serie/17 - Assembly parts MM GMT 611 1011 series/17

| | | | |
|-----|-----------|--|---|
| 10 | EL2002965 | GEHAEUSEDECKEL KPL. 6-11/10-11 RA 17 | CASING COVER CPL. 6-11/10-11 RA 17 |
| | EL2003279 | GEHAEUSEDECKEL KPL. 6-11/10-11 LA 16 | CASING COVER CPL. 6-11/10-11 LA 16 |
| | EL2003523 | GEHAEUSEDECKEL KPL. KH2 RA 17 | CASING COVER CPL. KH2 RA 17 |
| | EL2003763 | GEHAEUSEDECKEL KPL. KH2 LA | CASING COVER CPL. KH2 LA 17 |
| | EL2003397 | GEHAEUSEDECKEL KPL. 6-11/10-11 RA GAS 17 | CASING COVER CPL. 6-11/10-11 RA GAS 17 |
| 20 | EL0741159 | SEITENDECKEL D2K 611 | SIDE COVER D2K 611 |
| | EL0741655 | SEITENDECKEL D2K 1011 | SIDE COVER D2K 1011 |
| 30 | EL0508402 | EINHAENGEGESTELL 6-11 RECHTS GN 1.4301 | HANG-IN RACK 6-11 RIGHT GN 1.4301 |
| | EL0508392 | EINHAENGEGESTELL 6-11 LINKS GN 1.4301 | HANG-IN RACK 6-11 LEFT GN 1.4301 |
| | EL0508404 | EINHAENGEGESTELL 10-11 RECHTS GN 1.4301 | HANG-IN RACK 10-11 RIGHT GN 1.4301 |
| | EL0508393 | EINHAENGEGESTELL 10-11 LINKS GN 1.4301 | HANG-IN RACK 10-11 LEFT GN 1.4301 |
| 40 | EL0508725 | LUFTLEITBLECH KPL. 6-11 011 | AIR DEFLECTOR CPL. 6-11 011 |
| | EL0508853 | LUFTLEITBLECH KPL. 10-11 011 | AIR DEFLECTOR CPL. 10-11 011 |
| 50 | EL0760749 | FETTFILTER 6-10-20/11 20/21 | FAT FILTER |
| 60 | EL0778257 | SIEBKAPPE KPL. D2K 611 1011 | FILTER CAP CPL. D2K 611 1011 |
| 70 | EL2000212 | TUERDICHUNG 6-11 PROFIL EL | DOOR SEALING 6-11 PROFILE EL |
| | EL2000213 | TUERDICHUNG 1011 PROFIL EL | DOOR SEALING 10-11 PROFILE EL |
| | EL0886556 | TÜRDICHUNG 611 D2K FR | DOOR SEALING 6-11 PROFILE EL FR |
| | EL0886564 | TÜRDICHUNG 1011 D2K FR | DOOR SEALING 10-11 PROFILE EL FR |
| 80 | EL2000380 | FILTER INSTALLATIONSRAUMBELUEFTUNG 2013 | FILTER INSTALLATION ROOM AERATION 2013 |
| 90 | EL0377791 | SCHUTZGITTER D2K 2011 | PROTECTIVE GRID D2K 2011 |
| 100 | EL0374407 | DICHTPROFIL HLD SIP 2581 TRANSPARENT | SEALING PROFILE HLD SIP 2581 TRANSPARENT |
| 110 | EL0504723 | UBG PG 29 (ET) | SUB ASSEMBLY PG 29 (SPARE PART) |
| 120 | EL2003514 | KERNTEMPERATURFUEHLER L=1600MM 17 | CORE TEMPERATURE PROBE L=1600MM 17 |
| 130 | EL2001225 | KABELSCHELLENSETZ KT-FUEHLER (ET) | CABLE CLAMP KIT CT PROBE (SPARE PART) |
| 140 | EL2003877 | HALTERUNG SOUS VIDE SONDE | SOUS VIDE PROBE HOLDER |
| 150 | EL2001737 | SOUSE VIDE SONDE MIT ODO-STECKER 1,1M | SOUS VIDE PROBE WITH ODO-CONNECTOR 1,1M |
| 160 | EL2003521 | DRUCKFEDER DI5,5 D0,8 | COMPRESSION SPRING DI5,5 D0,8 |
| 170 | EL2003512 | BUNDBOLZEN D4X28-M3 | BUSHING D4X28-M3 |
| 180 | EL2003457 | PA-SCHEIBE 6.2x10x3mm | PA DISK 6.2x10x3mm |
| 190 | EL2003565 | MAGNETSCHALTER JST-STECKER | MAGNETIC SWITCH JST-PLUG |
| 200 | EL0587265 | APTK K-PROFIL WEISS 9 X 4 mm (EPDM) | SEALING PROFILE 9X4 MM WHITE |
| 210 | EL2001027 | DICHTUNG ABLUFT | GASKET EXHAUST AIR |
| 220 | EL2003319 | SCHALTKONTAKT GEHAEUSE LA65260770 | SWITCH CONTACT CASING LA65260770 |
| 230 | EL2003774 | ADAPTERKABEL ODU M. STECK. U. BUCHSE KPL | ADAPTER CABLE ODU WITH PLUG AND SOCKET CPL. |
| 240 | EL0500402 | SILIKONKAUTSCHUK 100 ML | TUBE SILICONE 100 ML |
| 250 | EL2004383 | VERSCHLUSSKIT GERAET OHNE KT-FUEHLER (*) | COVER KIT DEVICE WITHOUT CORE TEMPERATURE PROBE (*) |

(* wird verwendet wenn das Gerät keinen KT Fühler hat um die Bohrung im Garraum zu verschließen z.B. bei Billa Geräten

(* only for devices with no core temperature sensor for covering the opening (e.g. devices for BILLA)

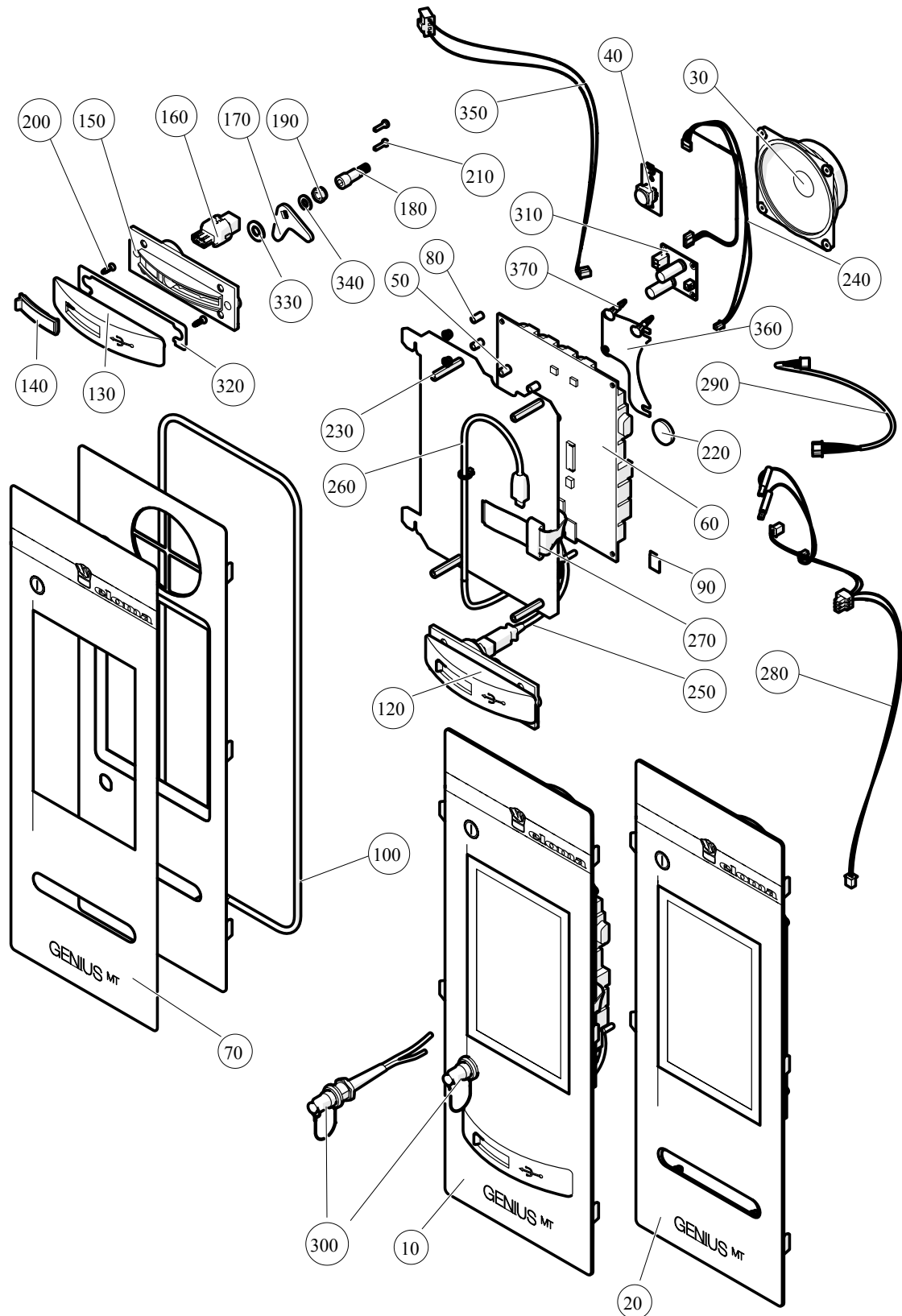
Bedienteil MM 611 1011 Serie/17 - Control unit MM 611 1011 series/17



Bedienteil MM 611 1011 Serie/17 - Control unit MM 611 1011 series/17

| | | | |
|-----|-----------|--|---|
| 10 | EL2003311 | BEDIENMODUL MM 17 KOMPLETT | OPERATING MODULE MM 17 COMPLETE |
| 20 | EL2004005 | BEDIENMODUL MM GEKLEBT 17 (ET) | OPERATING MODULE MM 17 GLUED |
| 30 | EL2003111 | LAUTSPRECHER SL87WPM 20W 4OHM | SPEAKER SL87WPM 20W 4OHM |
| 40 | EL2003486 | TASTER EIN-AUS LED WEISS 017 | PUSH BUTTON ON-OFF LED WHITE 017 |
| 50 | EL2002635 | ABSTANDSHALTER MS VERN. DA=6 DI=3,2 L=8 | SPACER MS NICK. PLAT. DA=6 DI=3,2 L=8 |
| 60 | EL2002917 | CPU BOARD C0 | CPU BOARD C0 |
| 70 | EL2002832 | ENCODER MM 17 | ENCODER MM 17 |
| 80 | EL2002830 | BEDIENFOLIE 6-11/10-11 MM 17 | CONTROL FILM 6-11/10-11 MM 17 |
| 90 | EL2003381 | DREHKNOPF KPL. MM | ROTARY KNOB CPL. MM |
| 100 | EL2002058 | DISTANZHUELSE d=5, L=9mm | DISTANCE SLEEVE D=5, L=9 MM |
| 110 | EL2004186 | MICRO SD CARD LINUX IMAGE MULTIMAX | MICRO SD CARD LINUX IMAGE MULTIMAX |
| 120 | EL2003436 | RUNDRING SILIKONSCHAUM MM 17 | SEALING RING SILICONE FOAM MM 17 |
| 130 | EL2003485 | SICHERUNGSHAKEN MM 17 | SAFETY HOOK MM 17 |
| 140 | EL2003742 | USB SCHNITTSTELLE KPL. 17 (ET) | USB INTERFACE CPL. 17 (SPARE PART) |
| 150 | EL2003320 | ABDECKUNG USB SCHNITTSTELLE MM 17 | COVER USB INTERFACE MM 17 |
| 160 | EL2003102 | SCHIEBER USB SCHNITTSTELLE MM 17 | SLIDER USB INTERFACE MM 17 |
| 170 | EL2003123 | NUTRAHMEN USB MM 17 | NOTCH FRAME USB MM 17 |
| 180 | EL2003226 | USB KONTAKTEINATZ A-B MM 17 | USB CONTACT INSERT A-B MM 17 |
| 190 | EL2003307 | NOCKEN USB MM 17 | CAM USB MM 17 |
| 200 | EL2003769 | SONDERSCHRAUBE M6 SW 5 | SPECIAL SCREW M6 WRENCH SIZE 5 |
| 210 | EL0593486 | SICHERUNGSMUTTER DIN 985 M6 V2A | LOCK NUT DIN 985 M6 V2A |
| 220 | EL2002991 | STP SCHRAUBE 32 3X10 MM A2 USB | STP SCREW 32 3X10 MM A2 USB |
| 230 | EL0011754 | LINSENBLECHSCHR. DIN 7981 B2,9X13 V2A | FILLISTER HEAD SCREW DIN 7981 B2,9X13 V2A |
| 240 | EL2003208 | KABEL EIN-AUS-TASTER ZU CPU C0-UL 260 MM | CABLE ON-OFF BUTTON TO CPU CO-UL 260 MM |
| 250 | EL2004762 | VERBINDUNGSKABEL MM-IO2 UL 17 | CONNECTION CABLE MM-IO2 UL 17 |
| 260 | EL2003561 | VERBINDUNGSKABEL USB-CPU MM 17 | CONNECTION CABLE USB-CPU MM 17 |
| 270 | EL2001230 | BATTERIE 3V ET CR2032H | BATTERY 3V ET CR2032H |
| 280 | EL2003774 | ADAPTERKABEL ODU M. STECK. U. BUCHSE KPL | ADAPTER CABLE ODU WITH PLUG AND SOCKET CPL. |
| 290 | EL2003513 | DICHTUNG USB 17 | SEALING USB 17 |
| 300 | EL0001325 | SCHEIBE DIN 125 A8,4 V2A | WASHER DIN 125 A8,4 V2A |
| 310 | EL0004014 | SCHEIBE DIN 125 A6,4 V2A | WASHER DIN 125 A6,4 V2A |

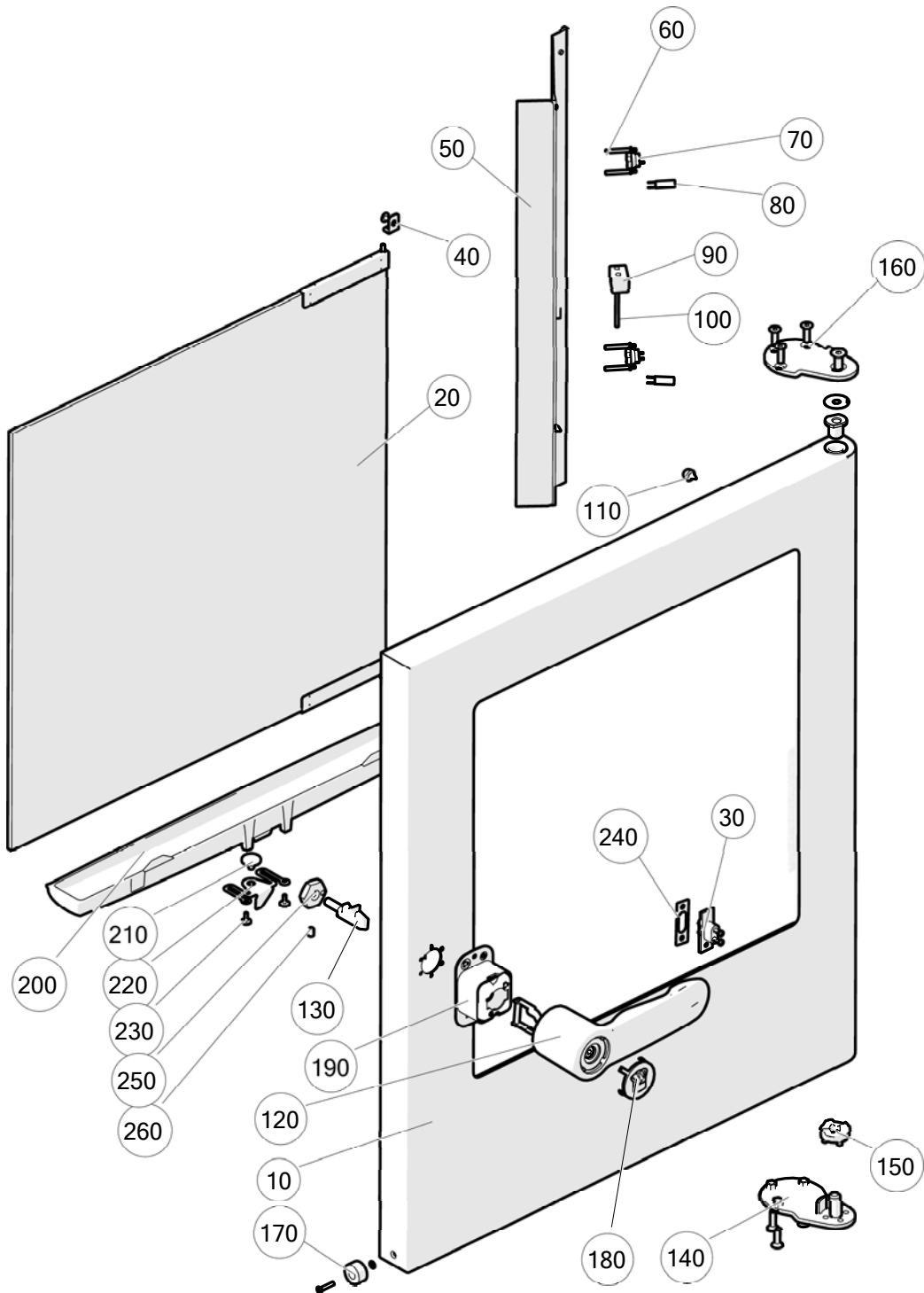
Bedienteil GeniusMT 611 1011 Serie/17 - Control unit GeniusMT 611 1011 series/17



Bedienteil GeniusMT 611 1011 Serie/17 - Control unit GeniusMT 611 1011 series/17

| | | | |
|-----|-----------|--|--|
| 10 | EL2003303 | BEDIENMODUL GMT 17 | OPERATING MODULE GMT 17 |
| | EL2004108 | BEDIENMODUL GMT 17 SCHWARZ 17 | GENIUS MT DESIGN ELOMA BLACK GMT 17 |
| | EL2004448 | BEDIENMODUL BACKMASTER EDITION GMT 6-11/10-11 | OPERATING MODULE BACKMASTER EDITION GMT 6-11/10-11 |
| | EL2005369 | BEDIENMODUL BACKMASTER EDITION GMT 6-11/10-11 ROT | OPERATING MODULE BACKMASTER EDITION GMT 6-11/10-11 RED |
| 20 | EL2004292 | BEDIENMODUL GMT 17 SCHWARZ GEKLEBT 17 | OPERATING MODULE GENIUSMT 17 GLUED BLACK |
| | EL2004004 | BEDIENMODUL GMT GEKLEBT 17 (ET) | OPERATING MODULE GENIUSMT 17 GLUED (SP) |
| | EL2005371 | BEDIENMODUL GMT GEKLEBT 17(ET) BACKMASTER EDITION SILBER | OPERATING MOD. GENIUSMT 17 GLUED BACKMASTER EDITION SILVER |
| | EL2005372 | BEDIENMODUL GMT GEKLEBT 17(ET) BACKMASTER EDITION ROT | OPERATING MOD. GENIUSMT 17 GLUED BACKMASTER EDITION RED |
| 30 | EL2003111 | LAUTSPRECHER SL87WPM 20W 4OHM | SPEAKER SL87WPM 20W 4OHM |
| 40 | EL2003486 | TASTER EIN-AUS LED WEISS 017 | PUSH BUTTON ON-OFF LED WHITE 017 |
| 50 | EL2002635 | ABSTANDSHALTER MS VERN. DA=6 DI=3,2 L=8 | SPACER MS NICK. PLAT. DA=6 DI=3,2 L=8 |
| 60 | EL2000709 | CPU BOARD C2 | CPU BOARD C2 |
| 70 | EL2003474 | BEDIENFOLIE 6-11/10-11 GMT 17 | CONTROL FILM 6-11/10-11 GMT 17 |
| 70 | EL2004109 | BEDIENFOLIE GENIUS MT SCHWARZ GMT 17 | OPERATION FILM GENIUS MT BLACK GMT 17 |
| 80 | EL2002058 | DISTANZHUELSE d=5, L=9mm | DISTANCE SLEEVE D=5, L=9 MM |
| 90 | EL2002286 | MICRO SD CARD LINUX IMAGE MT | MICRO SD CARD LINUX IMAGE MT |
| 100 | EL2003436 | RUNDRING SILIKONSCHAUM MM 17 | SEALING RING SILICONE FOAM MM 17 |
| | | | |
| 120 | EL2003742 | USB SCHNITTSTELLE KPL. 17 (ET) | USB INTERFACE CPL. 17 (SPARE PART) |
| 130 | EL2003320 | ABDECKUNG USB SCHNITTSTELLE MM 17 | COVER USB INTERFACE MM 17 |
| 140 | EL2003102 | SCHIEBER USB SCHNITTSTELLE MM 17 | SLIDER USB INTERFACE MM 17 |
| 150 | EL2003123 | NUTRAHMEN USB MM 17 | NOTCH FRAME USB MM 17 |
| 160 | EL2003226 | USB KONTAKTEINATZ A-B MM 17 | USB CONTACT INSERT A-B MM 17 |
| 170 | EL2003307 | NOCKEN USB MM 17 | CAM USB MM 17 |
| 180 | EL2003769 | SONDERSCHRAUBE M6 SW 5 | SPECIAL SCREW M6 WRENCH SIZE 5 |
| 190 | EL0593486 | SICHERUNGSMUTTER DIN 985 M6 V2A | LOCK NUT DIN 985 M6 V2A |
| 200 | EL2002991 | STP SCHRAUBE 32 3X10 MM A2 USB | STP SCREW 32 3X10 MM A2 USB |
| 210 | EL0011754 | LINSENBLECHSCHR. DIN 7981 B2,9X13 V2A | FILLISTER HEAD SCREW DIN 7981 B2,9X13 V2 |
| 220 | EL2001230 | BATTERIE 3V ET CR2032H | BATTERY 3V ET CR2032H |
| 230 | EL2003550 | DISTANZHUELSE M3X30MM MESSING | DISTANCE SLEEVE M3X30MM BRASS |
| 240 | EL2003487 | KABEL E-A TASTER ZU C2 260 MM | CABLE ON-OFF BUTTON TO C2 260MM |
| 250 | EL2003561 | VERBINDUNGSKABEL USB-CPU MAX 17 | CONNECTION CABLE USB-CPU MAX 17 |
| 260 | EL2000933 | KABEL USB (TOUCH C2 BOARD) | CABLE USB (TOUCH C2 BOARD) |
| 270 | EL2000935 | KABEL FLACH L=160 MM 40 PIN | FLAT CABLE L=160 MM 40 PIN |
| 280 | EL2003566 | VERBINDUNGSKABEL GMT2-IO2 | CONNECTION CABLE GMT2-IO2 |
| 290 | EL2002613 | KABEL AUDIO L=340mm | AUDIO CABLE L=340mm |
| 300 | EL2003774 | ADAPTERKABEL ODU M. STECK. U. BUCHSE KPL | ADAPTER CABLE ODU WITH PLUG AND SOCKET CPL. |
| 310 | EL2003539 | AMPLIFIER MINI-BOARD FÜR C2, 12 VDC | AMPLIFIER MINI-BOARD FOR C2, 12 VDC |
| 320 | EL2003513 | DICHTUNG USB 17 | SEALING USB 17 |
| 330 | EL0001325 | SCHEIBE DIN 125 A8,4 V2A | WASHER DIN 125 A8,4 V2A |
| 340 | EL0004014 | SCHEIBE DIN 125 A6,4 V2A | WASHER DIN 125 A6,4 V2A |
| 350 | EL2004157 | VERBINDUNGSKABEL GMT2 PWS - AMPLIFIER 17 | CONNECTION CABLE GMT2 PWS - AMPLIFIER 17 |
| 360 | EL2004323 | HALTERUNG | HOLDING PLATE |
| 370 | EL2003661 | ABSTANDSHALTER | SPACER |

Tür und Türverschluss MM GMT 611 1011 Serie/17 - Door and Door Latch MM GMT 611 1011 series/17



Tür und Türverschluss MM GMT 611 1011 Serie/17 - Door and Door Latch MM GMT 611 1011 series/17

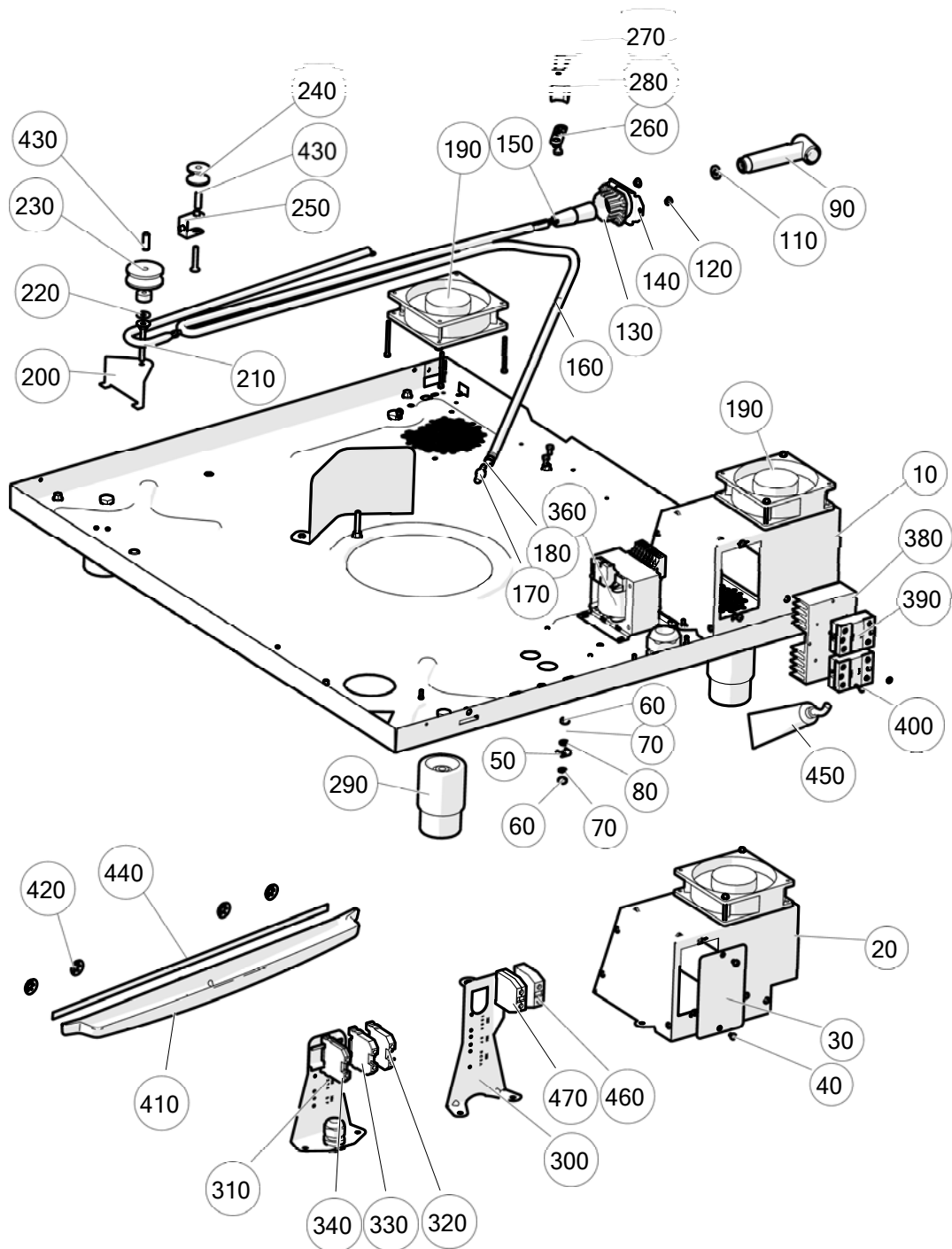
| | | | |
|-----|--------------|--|---|
| 10 | EL2003092 | TUER MONT. 6-11 MM RA 17 | DOOR MOUNT 6-11 MM RA 17 |
| | EL2003300 | TUER MONT. 6-11 MM LA 17 | DOOR MOUNT 6-11 MM LA 17 |
| | EL2002835 | TUER MONT. 10-11 MM RA 17 | DOOR MOUNT 10-11 MM RA 17 |
| | EL2003287 | TUER MONT. 10-11 MM LA 17 | DOOR MOUNT 10-11 MM LA 17 |
| 20 | EL0502688 | INNENTUER KPL.6-11 | INNER DOOR CPL. 6-11 |
| | EL0502689 | INNENTUER KPL. 10-11 | INNER DOOR CPL. 10-11 |
| 30 | EL2002809 | TUERKONTAKT LA14170810 | DOOR CONTACT LA14170810 |
| 40 | EL0887501 | HALTEWINKEL TUER MONT. D2K 06 | HOLDING ANGLE DOOR |
| 50 | EL2003227 | REFLEKTOR MONT. 6-11 RA 17 | REFLECTOR MOUNT 6-11 RA 17 |
| | EL2003305 | REFLEKTOR MONT. 6-11 LA 17 | REFLECTOR MOUNT 6-11 LA 17 |
| | EL2003240 | REFLEKTOR MONT. 10-11 RA 17 | REFLECTOR MOUNT 10-11 RA 17 |
| | EL2003289 | REFLEKTOR MONT. 10-11 LA 17 | REFLECTOR MOUNT 10-11 LA 17 |
| 60 | EL2000740 | BUNDBOLZEN D 4 X 32 - M3 1.4301 | BUSHING D 4 X 25 - M3 1.4301 |
| 70 | EL0577294 | HALOGENFASSUNG MIT FLANSCH | HALOGEN LAMP HOLDER WITH FLANGE |
| 80 | EL0570478 | HALOGENLAMPE 12V 20W SOCKEL G4 300 G | HALOGEN LAMP 12V 20W SOCKET G4 300 G |
| 90 | EL0658235 | LEUCHTENKLEMME 15A 2-POLIG 6 MM ² | CLAMP LAMP 15 A 2-POLE 6 MM ² |
| 100 | EL2003540 | VERBINDUNGSKABEL BELEUCHTUNG | CONNECTING CABLE ILLUMINATION |
| 110 | EL0886726 | GUMMIPUFFER-ZARGENPUFFER SILIKON SH50 SW | RUBBER BUFFER SILICONE SH50 SW |
| 120 | EL2004418-ET | UBG TUERVERSCHLUSS 6-10-20-11 | ASSEMBLY KIT DOOR LOCK 6-10-20-11 |
| 130 | EL2000818 | 2-STUFENKLOBEN RECHTS EL 6102011 | TWO-STAGE DOOR LATCH RIGHT 6-10-20-11 |
| | EL2000819 | 2-STUFENKLOBEN LINKS EL 6102011 | TWO-STAGE DOOR LATCH LEFT 6-10-20-11 |
| | EL2003233 | KLOBEN EINSTUFIG 6-10-11 RA UND LA | SINGLE-STAGE DOOR LATCH RA & LA 6-10-11 |
| 140 | EL2000821 | TUERLAGER UNTEN D2K 6-11, 10-11 (ET) | DOOR BEARING BOTTOM D2K 6-11, 10-11 (SPARE PT.) |
| 150 | EL0875023 | RASTSCHIBE | LOCKING DISK |
| 160 | EL2000822 | TUERLAGER 6-11, 10-11 OBEN (ET) | DOOR BEARING 6-11, 10-11 TOP (SPARE PART) |
| 170 | EL0372994 | MAGNET F.TUERENDSCHALTER /RUND,KAPPE ROT | MAGNET DOOR LIMIT SWITCH RED CAP |
| 180 | EL2000095 | STOPFEN 6-11, 10-11, 20-11 | PLUG 6-11, 10-11, 20-11 |
| 190 | EL2000644 | HYGIENEINSATZ | HYGIENIC INSERT |
| 200 | EL0783331 | ABTROPFRINNE MONT. D2K 6-11, 10-11 | DRIP TRAY MOUNTED D2K 6-11, 10-11 |
| 210 | EL0781177 | DICHTSTOPFEN F.ABTROPFRINNE | SEALING PLUG DRIP TRAY |
| 220 | EL0781185 | FEDER F.ABTROPFRINNE | SPRING DRIP TRAY |
| 230 | EL0783463 | PT SCHRAUBE | PT SCREW |
| 240 | EL2003180 | DISTANZPLATTE TUEBERSCHALTER | DISTANCE SLIDE DOOR SWITCH |
| 250 | EL0767476 | SICHERUNGSMUTTER SW 27X8 | SAFETY NUT SW 27X8 |
| 260 | EL0768464 | GEWINDESTIFT DIN 916 M6X8 V2A | THREADED PIN DIN 916 M6X8 V2A |

Tür und Türverschluss MM GMT 611 1011 mit LED-Beleuchtung Serie/17-
Door and Door Latch MM GMT 611 1011 with LED illumination series/17

30

| | | | |
|-----|--------------|--|---|
| 10 | EL2005092 | TUER MONT. 6-11 MM RA 17 LED | DOOR MOUNT 6-11 MM RA 17 LED |
| 10 | EL2005480 | TUER MONT. 6-11 MM LA 17 LED | DOOR MOUNT 6-11 MM LA 17 LED |
| 10 | EL2005096 | TUER MONT. 10-11 MM RA 17 LED | DOOR MOUNT 10-11 MM RA 17 LED |
| 10 | EL2005484 | TUER MONT. 10-11 MM LA 17 LED | DOOR MOUNT 10-11 MM LA 17 LED |
| 20 | EL0502688 | INNENTUER KPL. EB50 | INNER DOOR CPL. EB 50 |
| 20 | EL0502689 | INNENTUER KPL.EB80 | IINNER DOOR CPL. EB 80 |
| 30 | EL2004370 | ZWISCHENSCHIEBE KPL 6-11 RA | INTERMEDIATE PANE CPL 6-11 RIGHT HINGED |
| 30 | EL2005507 | ZWISCHENSCHIEBE KPL 6-11 LA | INTERMEDIATE PANE CPL 6-11 LEFT HINGED |
| 30 | EL2004112 | ZWISCHENSCHIEBE KPL 10-11 RA | INTERMEDIATE PANE CPL 10-11 RIGHT HINGED |
| 30 | EL2004657 | ZWISCHENSCHIEBE KPL 10-11 LA | INTERMEDIATE PANE CPL 10-11 LEFT HINGED |
| 40 | EL2005464 | HALTEWINKEL INNENSCHIEBE RA | BRACKET INTERIOR GLASS PANE RIGHT HINGED |
| 40 | EL2005530 | HALTEWINKEL INNENSCHIEBE LA | BRACKET INTERIOR GLASS PANEL LEFT HINGED |
| 50 | EL0501845 | VERBINDUNGSKLEMMME 5-POLIG | CONNECTION TERMINAL 5 WIRE |
| 60 | EL2005497 | SENSORBLECH KPL TUER 6-11 10-11 | SENSOR PLATE CPL. DOOR 6-11 10-11 |
| 70 | EL0581038 | MAGNETSCHALTER | MAGNET SWITCH |
| 80 | EL0010502 | LINSENSCHRAUBE M4X10 DIN 7985 V2A | LENS HEAD SCREW DIN 7985 M4X10 V2A |
| 90 | EL2005499 | MAGNETPLATTE KPL TUER 6-11 10-11 | MAGNET CARRIER CPL. DOOR 6-11 10-11 |
| 100 | EL0372994 | MAGNET FÜR TÜRENDSCHALTER | MAGNET DOOR LIMIT SWITCH RED CAP |
| 110 | EL0026999 | SCHEIBE 4,3 DIN 9021 V2A | WASHER 4,3 DIN 9021 V2A |
| 120 | EL0014125 | SENKSCHEIBE DIN 965 M4X20 V2A | COUNTERSUNK SCREW DIN 965 M4X20 V2A |
| 130 | EL0749699 | SICHERUNGSMUTTER DIN 985 M4 A2 | HEXAGONAL NUT DIN 985 M4 A2 |
| 140 | EL2004379 | LED-MODUL 290X12 MM 24V DC 40 LED 019 | LED MODULE 290X12 MM 24V DC 40 LED 019 |
| 150 | EL2004942 | GLASABDECKUNG LED-BELEUCHTUNG | GLASS COVER FOR LED LIGHTING |
| 160 | EL2004944 | ABSTANDSHUELSE D10 X 1,5 | SPACER D10 X 1,5 |
| 170 | EL0014222 | LINSENSENKSCHEIBE DIN 966 M3X8 V2A | RAISED COUNTERSUNK SCREW DIN 966 M3X8 V2A |
| 180 | EL2004388 | REFLEKTOR KPL RA TUER 6-11 LED | REFLECTOR MOUNT RIGHT DOOR 6-11 LED |
| 180 | EL2004380 | REFLEKTOR MONT RA TUER 10-11 LED | REFLECTOR MOUNT RIGHT DOOR 10-11 LED |
| 190 | EL2004601 | REFLEKTOR KPL LA TUER 6-11 LED | REFLECTOR MOUNT LEFT DOOR 6-11 LED |
| 190 | EL2004600 | REFLEKTOR MONT LA TUER 10-11 LED | REFLECTOR MOUNT LEFT DOOR 10-11 LED |
| 200 | EL2005502 | KABELBAUM LED-BELEUCHTUNG TUER 6/10-11 | CABLE HARNESS LED LIGHTING DOOR 6/10-11 |
| 210 | EL0886726 | GUMMIPUFFER-ZARGENPUFFER SILIKON SH50 SW | RUBBER BUFFER SILICONE SH50 SW |
| 220 | EL2004418-ET | UBG TUERVERSCHLUSS 6-10-20-11 | SUB.ASS. DOOR LOCK 6-10-20-11 |
| 230 | EL2000818 | 2-STUFENKLOBEN RECHTS EL 6102011 | 2 STEP BLOCK RIGHT EL 6102011 |
| 230 | EL2000819 | 2-STUFENKLOBEN LINKS EL 6102011 | 2 STEP BLOCK LEFT EL 6102011 |
| 230 | EL2003233 | KLOBEN EINSTUFIG 6-10-11 RA UND LA | DOOR LOCKING UNIT DEVICE SIDE LA |
| 240 | EL0767476 | SICHERUNGSMUTTER SW 27X8 1.4305 | HEXAGONAL NUT SW 27X8 1.4305 |
| 250 | EL0768464 | GEWINDESTIFT DIN 916 M6X8 V2A | THREADED PIN DIN 916 M6X8 V2A |
| 260 | EL2005564 | KIT TUERLAGER UNTEN D2K 61011 (ET) | DOOR BEARING BOTTOM D2K 611 1011 (SPARE PART) |
| 270 | EL0875023 | RASTSCHIEBE | LOCKING DISK |
| 280 | EL0504325 | KABELABDECKUNG EB 50 EB 80 | CABLE COVER EB 50 EB 80 |
| 290 | EL2000822 | KIT TUERLAGER 6-10-11 OBEN (ET) | DOOR BEARING 6-10-11 TOP (SPARE PART) |
| 300 | EL2000095 | STOPFEN 61020-11 | PLUG 61020-11 |
| 310 | EL2000644 | HYGIENEINSATZ | HYGIENIC INSERT |
| 320 | EL0783331 | ABTROPFRINNE MONT. D2K 611 1011 | DRIP TRAY MOUNTED D2K 611 1011 |
| 330 | EL0781177 | STOPFEN | SEALING ELEMENT DN 50 SILICONE |
| 340 | EL0781185 | FEDER F.ABTROPFRINNE | SPRING DRIP TRAY |
| 350 | EL0783463 | PT SCHRAUBE | PT SCREW |
| 360 | EL2003180 | DISTANZPLATTE TUERSCHALTER | DISTANCE SLIDE DOOR SWITCH |
| 370 | EL2005522 | NETZTEILSET GMT 6-11/10-11 RA LED 17 | POWER SUPPLY KIT GMT 6-11/10-11 RA LED17 |
| 380 | EL2005523 | NETZTEILSET GMT 6-11/10-11 LA LED 17 | POWER SUPPLY KIT GMT 6-11/10-11 LA LED17 |
| 390 | EL2005524 | KABELBAUM GMT NETZTEILSET LED 6-10-11 17 | CABLE HARNE POWER SUPP.K. LED 6-11/10-11 |
| 400 | EL0570907 | ABSCHLUSSPLATTE M.RASTFUSS | END PLATE WITH RASTER (MOQ:10) |
| 410 | EL0553549 | KLEMMME 2-LEITER GRAU MIT FLANSCH 261-30 | CONNECTOR BLOCK 2-POLE WITH FLAN 261-301 |
| 420 | EL0513970 | KLEMMME M. RASTFUSS GR. 2LEIT.261-311 | |

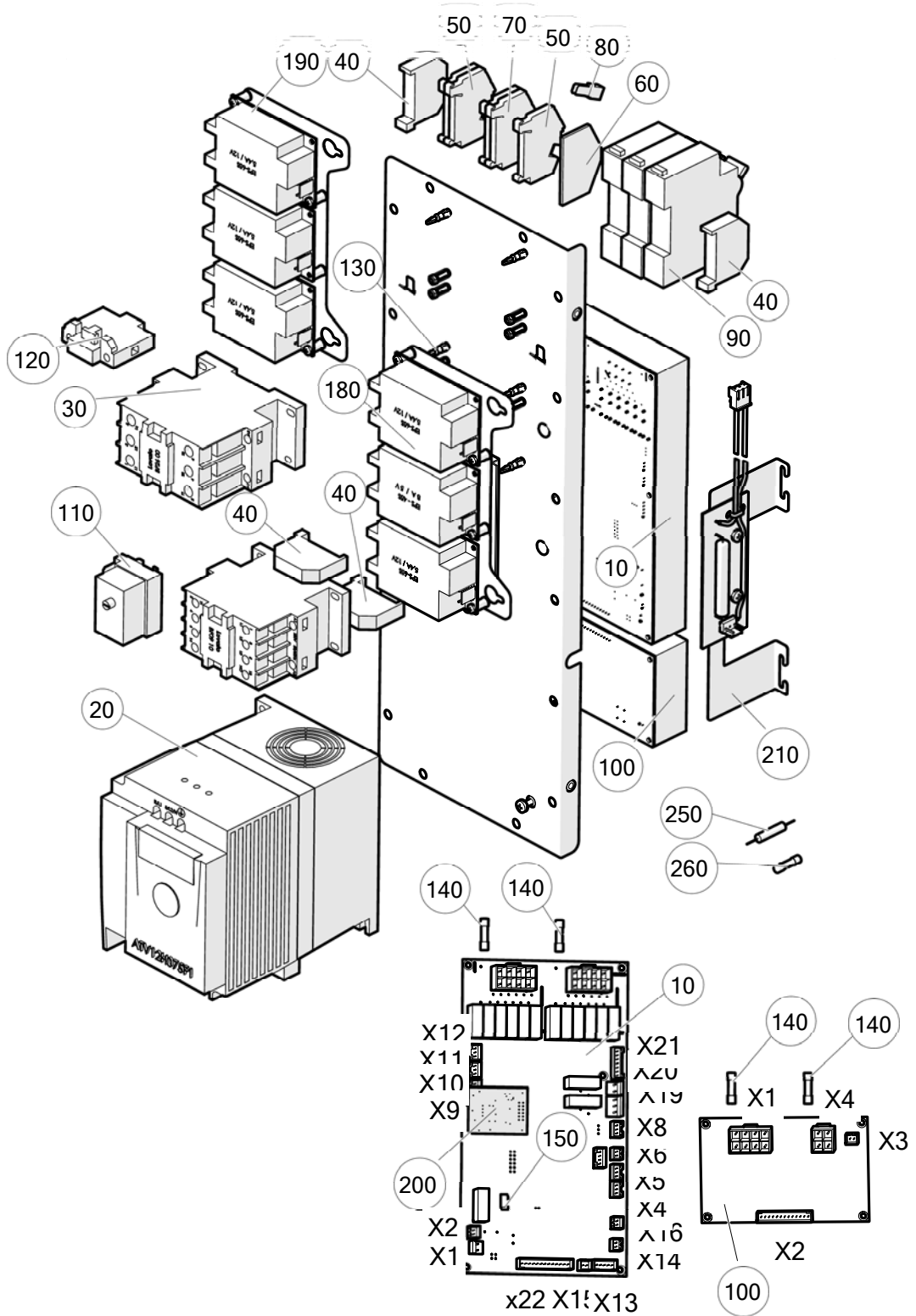
Bodenplatte und Schlauchaufroller MM GMT 611 1011 Serie/17 - Base Plate and Hose Retractor MM GMT seri



Bodenplatte und Schlauchaufroller MM GMT 611 1011 Serie/17 - Base Plate and Hose Retractor MM GMT series/17

| | | | |
|-----|-----------|--|--|
| 10 | EL2003043 | LUFTSCHACHT KPL. RA 6-11/10-11 17 | AIR DUCT CPL. RA 6-11/10-11 17 |
| 10 | EL2003388 | LUFTSCHACHT KPL. LA 6-11/10-11 17 | AIR DUCT CPL. LA 6-11/10-11 17 |
| 20 | EL2003433 | LUFTSCHACHT VMONT. GAS 6-11/10-11 17 | AIR DUCT MOUNTED GAS 6-11/10-11 17 |
| 30 | EL2000918 | DECKEL LUEFTERSCHACHT KPL. 611 1011 | LID AIR SHAFT CPL. 611 1011 (GAS) |
| 40 | EL0174084 | LINSENSCHRAUBE DIN 7985 M4X6 V2A | LENS HEAD SCREW DIN 7985 M4X6 V2A |
| 50 | EL0223697 | KLEMMBUEGEL M6 MS-NI C12 DIN 46282 | CLAMP STRAP M6 MS-NI C12 DIN 46282 |
| 60 | EL0251887 | MUTTER DIN 934 M6 V2A | HEXAGON NUT DIN 934 M6 V2A |
| 70 | EL0006777 | FAECHERSCHEIBE DIN 6798 6,4AZ V2A | SERRATED LOCK WASHER DIN 6798 A6,4 V2A |
| 80 | EL0004014 | SCHEIBE DIN 125 A6,4 V2A | WASHER DIN 125 A6,4 V2A |
| 90 | EL0783404 | GRIFFSTUECK BRAUSE M. RUECKSCHLAGV. 6/23 | HANDLE PIECE WITH NON-RETURN VALVE 6/23 |
| 110 | EL0895563 | DICHTUNG BRAUSEKOPF D18XD10X4 | SEALING RING QUENCH HEAD D18XD10X4 |
| 120 | EL0553395 | SCHEIBENMUTTER M4 V2A | DISK NUT M4 V2A |
| 130 | EL2000304 | EINFAHRSTUTZEN | UPLOCKING LUG |
| 140 | EL2003032 | HALTEBLECH EINFAHRSTUTZEN MM 17 | HOLDING PLATE GUIDE SOCKET MM 17 |
| 150 | EL0780022 | ANSCHLAGPUFFER KURZ SCHLAUCHVERSCHRAUBG. | STOP BUFFER SHORT HOSE FITTING |
| 160 | EL2000395 | SCHLAUCH KPL.61011 | HOSE CPL. 61011 |
| 170 | EL2001140 | ROHR-STECKDORN 8/6MM JG | PIPE PIN WRENCH 8/6MM JG |
| 180 | EL0277665 | SCHLAUCHSCHELLE SPANNBEREICH 9-14 | HOSE CLAMP 9-14 |
| 190 | EL0693456 | AXIALGEBLÄSE 119X119X38 230V | AXIAL FAN 119X119X38 230V |
| 200 | EL2000994 | HALTEBUEGEL UMLENKROLLE | HOLDING BOW FOR GUIDE ROLLER |
| 210 | EL0782769 | ZUGFEDER BRAUSE 6/23 | TENSIO SPRING 623 |
| 220 | EL0000582 | SCHEIBE DIN 9021 6,4 V2A | WASHER DIN 9021 6,4 V2A |
| 230 | EL0782572 | UMLENKROLLE D 50 | GUIDE ROLLER D=50 D2K 623 03 |
| 240 | EL0782645 | UMLENKROLLE D=30 D2K 623 03 | GUIDE ROLLER D=30 D2K 623 03 |
| 250 | EL0782602 | BUEGEL KPL. D2K 623 SERIE/03 | BRACKET D2K 623 SERIAL/03 |
| 260 | EL0782734 | DREHBLECH KPL. 6/23 | TURN PLATE CPL. 6/23 |
| 270 | EL0873322 | BEFESTIGUNGSSCHELLE ST.VERN.1X15DIN72573 | FASTENING CLAMP 1X15DIN7257 |
| 280 | EL0785113 | KNICKSCHUTZTUELLE NR-SBR60 D12X20.5 SH A | TENSION RELIEF D12X20,5 |
| 290 | EL0744824 | VERSTELLFUSS-RUND 95-125 MM 6-10-11 | ADJUSTABLE FOOT-ROUND 95-125 MM 6-10-11 |
| 290 | EL2005658 | VERSTELLFUSS-RUND 70-100 MM 6-10-11 | ADJUSTABLE FOOT-ROUND 70-100 MM 6-10-11 |
| 300 | EL2003648 | BG NETZANSCHLUSS 6-11/10-11 G UL 17 | KIT LINE CONNECTION G 6-11/10-11 G UL 17 |
| 310 | EL2003649 | BG NETZANSCHLUSS 6-11/10-11 G 17 | KIT NET CONNECTION 6-11/10-11 G 17 |
| 320 | EL0572969 | KLEMME -DURCHG. 10 QMM GRAU ELOMA 371064 | CONNECTOR BLOCK 10 QMM GRAY ELOMA 371064 |
| 330 | EL0572977 | KLEMME-DURCHG. 10 QMM BLAU ELOMA 371069 | CONNECTOR BLOCK 10 QMM BLUE ELOMA 371069 |
| 340 | EL0572985 | KLEMME-SCHUTZL. 10 QMM GN/GE | CONNECTOR BLOCK 10 QMM GN/YE |
| 360 | EL0628549 | TRANSFORMATOR TYP VT 50 EN 500 VA 2,1A | TRANSFORMER TYP VT 50 EN 500 VA 2,1A |
| 360 | EL0759988 | TRANSFORMATOR STU 500/2X115 UNIV.STEUERT | TRANSFORMER STU 500/2X115V UNIV.CONTROL |
| 460 | EL0767700 | KLEMME-DURCHG. 35 QMM GRAU ELOMA371033 | CONNECTOR BLOCK 35 QMM GY ELOMA371033 |
| 470 | EL0658227 | KLEMME-DURCHG. 35 QMM GN/GEELOMA371035 | CONNECTOR BLOCK 35 QMM GN/YEELOMA371035 |

Elektroblech MM GMT 611 1011 Elektro Serie/17 - Electrical-Assy MM GMT Electro 611 1011 series/17



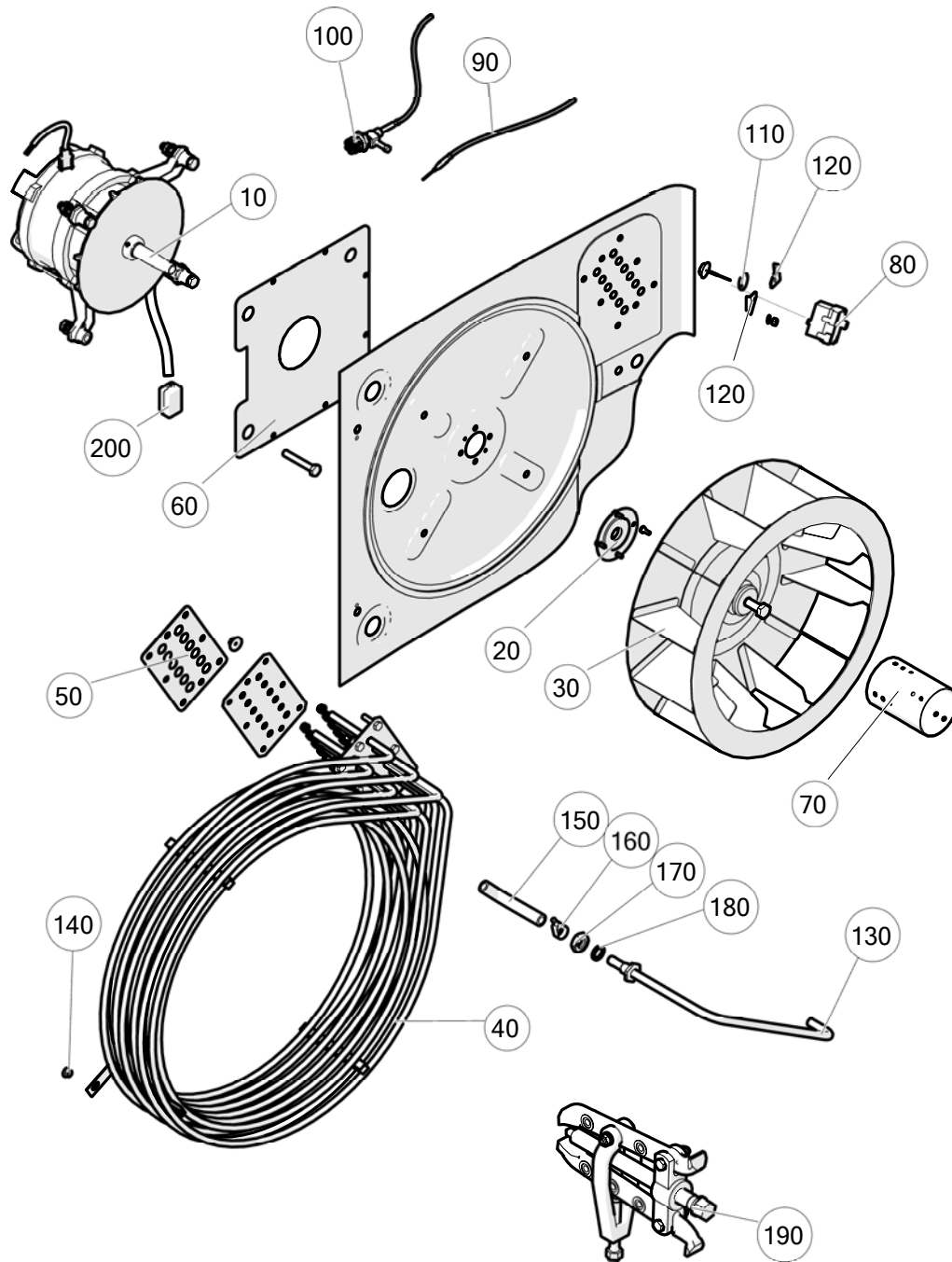
Elektroblech MM GMT 611 1011 Elektro Serie/17 - Electrical-Assy MM GMT Electro 611 1011 series/17

| | | | |
|-----|-----------|--|--|
| 10 | EL2003067 | IO-2-BOARD MM 17 | IO-2-BOARD MM 17 |
| 20 | EL2004103 | KIT FU 200-240V 50/60Hz PARAMETRISIERT 6-11, 10-11 E | KIT FREQU. CONV. 200-240V 50/60Hz PARAMETRISED 6-11, 10-11 E |
| | EL2004104 | KIT FU 380-500V 50/60Hz PARAMETRISIERT 6-11, 10-11 E | KIT FREQU. CONV. 380-500V 50/60Hz PARAMETRISED 6-11, 10-11 E |
| 30 | EL2001689 | SCHUETZ BF 18-10 A 230 V260 10-11 E | CONTACTOR BF 18-10 A 230 V260 10-11 Electro |
| | EL2000766 | SCHUETZ BF 26 00 A 230 V260 6-11 E | CONTACTOR BF 26 00 A 230 V260 6-11 Electro |
| | EL2000765 | SCHUETZ BF 09 10 A 230 V260 6-11, 10-11 E/G | CONTACTOR BF 09 10 A 230 V260 6-11, 10-11 E/G |
| | EL2000837 | SCHUETZ 11 BF50 00230 10-11 E | CONTACTOR BF50 00230 10-11 Electro |
| 40 | EL0337676 | KUNSTSTOFFENDWINKEL 10 MM BREIT | END CLAMP 10MM |
| 50 | EL0570818 | KLEMME 3 LEITER 4QMM BLAU ELOMA 371055 | CONNECTOR BLOCK 3-POLE 4QMM ELOMA 371055 |
| 60 | EL0337668 | ABSCHLUSSPLATTE F.UNIV.-KLEMME 4 QMM | END PLATE CLAMP 4 QMM |
| 70 | EL0572071 | KLEMME 3LEITER 4QMM GRAU 281-631 | CONNECTOR BLOCK 3-POLE 4QMM GY 281-631 |
| | EL0572055 | KLEMME-DURCHGANGS 4QMM GRAU ELOMA 371022 | CONNECTOR BLOCK 4 QMM GY ELOMA 371022 |
| 80 | EL0303089 | QUERBRUECKER ISOLIERT 4 QMM | BRIDGE CIRCUIT 4QMM |
| 90 | EL2001691 | SICHERUNGSAUTOMAT B 10A 1-POL. | AUTOMATIC CIRCUIT BREAKER B 10A 1-POL. |
| 100 | EL2003068 | IO-2-AC-OPTION-BOARD (NUR AUTOCLEAN) | IO-2-AC-OPTION-BOARD (AUTOCLEAN ONLY) |
| 110 | EL0504602 | STB/THERMOSTAT 1-POL.360 GRD. C-18 | SAFETY TEMPERATURE LIMITER 1-POL.360 GRD. C-18 |
| 120 | EL2000897 | HILFSKONTAKT SEITLICH SCHLIESSER | AUXILIARY RELAY LATERAL OPEN CONTACT |
| 130 | EL2003661 | ABSTANDSHALTER RLCBSR-06-01 | DISTANCE BOLT RLCBSR-06-01 |
| 140 | EL0510583 | FEINSICHERUNG 4 A T AUSSCHALTSTROM 1500A | FINE WIRE FUSE 4A T BREAKING CURRENT 1500A |
| 150 | EL2001652 | KLEINSTSICHERUNG 5 A TRAEGE ECKIG | MICRO FUSE 5 A Delay ANGULAR |
| 180 | EL2004011 | NETZTEILSET GENIUS MT UL 6-11 / 10-11 | POWER ADAPTER KIT GENIUS MT UL 6-11 / 10-11 |
| 190 | EL2004010 | NETZTEILSET MULTIMAX UL 6-11 / 10-11 | POWER ADAPTER KIT MULTIMAX UL 6-11 / 10-11 |
| 200 | EL2003214 | ABCD-ADDON-BOARD (ZUSATZPLATINE) | ABCD-ADDON-BOARD (ADDITIONAL BOARD) |
| 210 | EL2004244 | BG EINSCHALTSTROMBEGRENZER MM GMT 17 | KIT INRUSH CURRENT LIMITER DEVICE MM GMT 17 |
| 250 | EL2003863 | SICHERUNGSHALTER 5x20 10A | FUSE HOLDER 5x20 10A |
| 260 | EL0262498 | FEINSICHERUNG 5X20 1A TRAEGE DIN 41571 | FINE FUSE 1 A 5X20 1A DELAY DIN 41571 |

Elektroblech MM GMT 611 1011 Gas Serie/17 - Electrical-Assy MM GMT Gas 611 1011 series/17

| | | | |
|-----|-----------|--|--|
| 10 | EL2003067 | IO-2-BOARD MM 17ST | IO-2-BOARD MAX 17ST |
| 20 | EL2004105 | KIT FU 100-120V 50/60Hz PARAMETRISIERT | KIT CONV 100-120V 50/60Hz PARAMETRISED |
| 30 | EL2000765 | SCHUETZ BF 09 10 A 230 V260 | CONTACTOR BF 09 10 A 230 V260 |
| 40 | EL0337676 | KUNSTSTOFFENDWINKEL 10 MM BREIT | END CLAMP 10MM |
| 50 | EL0570818 | KLEMME 3 LEITER 4QMM BLAU ELOMA 371055 | CONNECTOR BLOCK 3-POLE 4QMM ELOMA 371055 |
| 60 | EL0337668 | ABSCHLUSSPLATTE GRAU 4,0 MM BNR.281-312 | END PLATE GY 4 MM BNR.281-312 |
| 70 | EL0303089 | QUERBRUECKER ISOLIERT 4 QMM | BRIDGE CIRCUIT 4QMM |
| 80 | EL2001691 | SICHERUNGSAUTOMAT B 10A 1-POL. | AUTOMATIC CIRCUIT BREAKER B 10A 1-POL. |
| 90 | EL2003068 | IO-2-AC-OPTION-BOARD (NUR AUTOCLEAN) | IO-2-AC-OPTION-BOARD (AUTOCLEAN ONLY) |
| 100 | EL0504602 | STB/THERMOSTAT 1-POL.360 GRD. C-18 | SAFETY TEMPERATURE LIMITER 1-POL.360 GRD. C-18 |
| 110 | EL2003661 | ABSTANDSHALTER RLCBSR-06-01 | DISTANCE BOLT RLCBSR-06-01 |
| 120 | EL0510583 | FEINSICHERUNG 4 A T AUSSCHALTSTROM 1500A | FINE WIRE FUSE 4A T BREAKING CURRENT 1500A |
| 130 | EL2001652 | KLEINSTSICHERUNG 5 A TRAEGE ECKIG | MICRO FUSE 5 A INERT ANGULAR |
| 150 | EL2004011 | NETZTEILSET GENIUS MT UL 6-11 / 10-11 | POWER ADAPTER KIT GENIUS MT UL 6-11 / 10-11 |
| 160 | EL2004010 | NETZTEILSET MULTIMAX UL 6-11 / 10-11 | POWER ADAPTER KIT MULTIMAX UL 6-11 / 10-11 |
| 170 | EL0895628 | HILFSRELAIS 115V | AUXILIARY RELAY 115 V |
| 180 | EL2000917 | ZUSATZPLATINE GAS STEUERUNG | ADDITIONAL CIRCUIT BOARD GAS CONTROL |
| 190 | EL0373222 | STECKMUTTER M4 SELBSTSICHERND 1.4301 | NUT SELF-LOCKING M4 1.4301 |
| 200 | EL2004002 | KAFIGMUTTER M3 1.4301 T=0,3-0,9 | CAGE NUT M3 1.4301 T = 0.3-0.9 |
| 210 | EL2002635 | ABSTANDSHALTER MS VERN. DA=6 DI=3,2 L=8 | SPACER MS NICK. PLAT. DA=6 DI=3,2 L=8 |
| 220 | EL2004244 | BG EINSCHALTSTROMBEGRENZER MM GMT 17 | KIT INRUSH CURRENT LIMITER DEVICE MM GMT 17 |
| 230 | EL2003863 | SICHERUNGSHALTER 5x20 10A | FUSE HOLDER 5x20 10A |
| 240 | EL0262498 | FEINSICHERUNG 5X20 1A TRAEGE DIN 41571 | FINE FUSE 1 A 5X20 1A DELAY DIN 41571 |

Motor und Heizung MM GMT Serie/17 - Motor and Heating Element MM GMT series/17



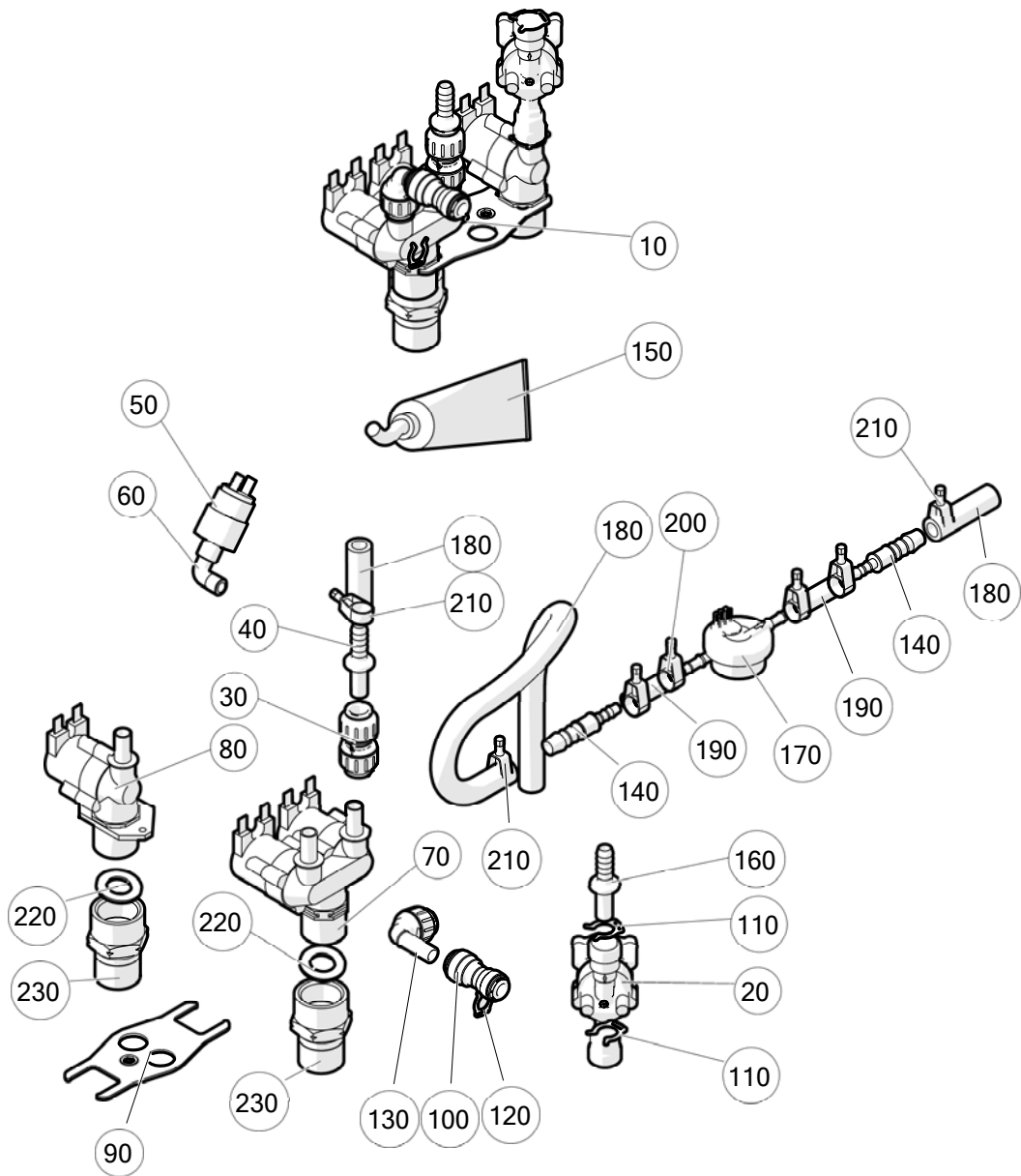
Motor und Heizung MM GMT Serie/17 - Motor and Heating Element MM GMT series/17

| | | | |
|-----|-----------|--|---|
| 10 | EL0750875 | UBG MONTAGE MOTOR 6-11/10-11/20-11 17 | SUBASSEMBLY MOTOR 6-11/10-11/20-11 17 |
| 20 | EL0776114 | UBG WELLENABDICHTUNG D2K06 611/1011/2011 | SUB.ASS. SHAFT SEALING D2K06 611/1011/2011 |
| 30 | EL0749362 | UBG LUEFTERRAD D2K 611/1011/2011 | SUB.ASS. FAN WHEEL D2K 611/1011/2011 |
| 40 | EL2001453 | KIT HEIZUNG 611 208-240V UL(ET) | KIT HEATING 611 208-240V UL (SPARES) |
| | EL2001455 | KIT HEIZUNG 611 480V UL(ET) | KIT HEATING 611 480V UL (SPARES) |
| | EL2001454 | KIT HEIZUNG 1011 208-240V UL(ET) | KIT HEATING 1011 208-240V UL (SPARES) |
| | EL2001456 | KIT HEIZUNG 1011 480V 16,5kW UL(ET) | KIT HEATING 1011 480V UL (SPARES) |
| 50 | EL0745553 | GEGENFLANSCH HEIZKOERPER D2K 611 | COUNTER FLANGE HEATING ELEMENT D2K 611 |
| | EL0745561 | GEGENFLANSCH HEIZKOERPER D2K 1011 | COUNTER FLANGE HEATING ELEMENT D2K 1011 |
| 60 | EL0747785 | MOTORISOLIERBLECH D2K 611 1011 2011 | MOTOR ISOLATING SHEET D2K 611 1011 2011 |
| 70 | EL0507813 | VERTEILERHUELSE LUEFTERRAD 010 6/10/2011 | DISPERSAL CASING FAN WHEEL 611 1011 2011 |
| 80 | EL0504602 | STB/THERMOSTAT 1-POL.360 GRD. C-18 | SAFETY TEMPERATURE LIMITER 1-POL.360 GRD |
| 90 | EL2003564 | NICRNI-FUEHLER JSTXA-STECKER | NICRNI-SENSOR JSTXA-PLUG |
| 100 | EL2003748 | KIT NICRNI FUEHLER MM 6-11/10-11 17 (ET) | KIT NICRNI SENSOR MM 6-11/10-11 17 (SPARES) |
| 110 | EL0373079 | ZENTRIERBUCHSE TEFLON F.UEBERTEMP-SCHUTZ | CENTRIC BUSH SAFETY TEMPERATURE LIMITER |
| 120 | EL0287695 | HALTER STB-FUEHLER | BRACKET FOR SAFETY TEMPERATURE LIMITER |
| 130 | EL2003380 | WASSERZULAUFROHR 6-11/10-11 17 | WATER SUPPLY TUBE 6-11/10-11 17 |
| 140 | EL0752746 | SCHEIBENMUTTER M5 V2A | DISK NUT M5 V2A |
| 150 | EL0593303 | SCHLAUCH D9X3 SILIKON TRANSP. 80 SHORE | HOSE SILICONE D9X3 TRANSPARENT 80 SHORE |
| 160 | EL0276634 | SCHLAUCHSCHELLE NS SPANNBEREICH 14-19 | HOSE CLAMP 14-19 |
| 170 | EL0280356 | MUTTER NIEDRIG DIN 439 M14X1,5 MS-NI | HEXAGON NUT LOW DIN 439 M14X1,5 MS-NI |
| 180 | EL0002909 | DICHTUNG C14X20X2 CU.AS-FREI DIN 7603 | COPPER SEALING RING 14X20X2 DIN 7603 |
| 190 | ELE524001 | ABZIEHER FUER GEBLAESERAD | PULLER FAN WHEEL |
| 200 | EL2002651 | KLAPPFERRIT FU MOTOR 74271221 | HINGED FERRIT FC MOTOR 74271221 |

Ventile MM GMT 611 1011 mit autoclean Serie/17 - Solenoid Valve 611 1011 with autoclean series/17

| | | | |
|-----|-----------|---|--|
| 10 | EL2002984 | BG WASSER AC 6-11/10-11 17 | ASSEMBLY WATER AC 6-11/10-11 17 |
| 20 | EL2001765 | DRUCKMINDERER R-SERIE 1,2 BAR | PRESSURE REDUCER R-SERIES 1,2 BAR |
| 30 | EL0508937 | GERADER VERBINDER | CONNECTOR STRAIGHT |
| 40 | EL0508941 | ROHR-STECKDORN 10MM/8MM | PIPE PIN WRENCH 10MM/8MM |
| 50 | EL0784028 | DRUCKSCHALTER | PRESSURE SWITCH |
| 60 | EL0773719 | WINKELSTUECK G 1/8 | ANGLE PIECE G 1/8 |
| 70 | EL0508939 | WINKEL-VERBINDER 10MM | ANGLE JOINT 10MM |
| 80 | EL2003901 | RPE ZWEIFACHVENTIL kpl. Mit Rückschlag WW | RPE DOUBLE VALVE CPL. W. CHECK VALVE SW |
| 90 | EL2002384 | VIERFACHVENTIL JMT GMTC | QUADRUPLE VALVE JMT GMTC |
| 100 | EL2002983 | MAGNETVENTILBLECH KPL. 6-11/10-11 17 | HOLDING PLATE VALVE CPL. 6-11/10-11 17 |
| 110 | EL2001029 | JG-RUECKSCHLAGVENTIL 10 SCV | JG-CHECK VALVE 10 SCV |
| 120 | EL0508951 | REDUZIER VERBINDER GERADE | STRAIGHT REDUCER CONNECTOR |
| 130 | EL0508938 | T-VERBINDER | T-JOINT |
| 140 | EL0508989 | SICHERUNGSRING 3/8" KUNSTSTOFF | SNAP RING 3/8" PLASTIC |
| 150 | EL2001439 | SICHERUNGSRING 5/16" JG | SNAP RING 5/16" JG |
| 160 | EL0508992 | ROHRSTUETZHUELSE ID 8MM / AD 10MM | TUBULAR STIFFENER ID 8MM / AD 10MM |
| 170 | EL0508988 | EINSTECKWINKELVERBINDER | ELBOW PLUG-IN CONNECTOR |
| 180 | EL0508948 | ROHR D=10 BLAU PA L=300 MM | TUBE BLUE D=10 PA L=300 MM |
| 190 | EL0509009 | SCHLAUCHREDUZIERTUELLE GRS 10-6 | GROMMET REDUCER SIZE 10-6 |
| 200 | EL0593567 | LOCTITE 511 GEWINDEDICHTUNG 50 ML | LOCTITE 511 SEALING MATERIAL 50 ML |
| 210 | EL2000760 | STECKDORN KPL.BL0,6 JG 10 / 6-11 | PIPE PIN WRENCH CPL.BL0,6 JG 10 / 6-11 |
| | EL2000762 | STECKDORN KPL.BL0,7 JG 10 / 10-11 | PIPE PIN WRENCH CPL.BL0,7 JG 10 / 10-11 |
| 220 | EL0509008 | FLOWMETER | FLOWMETER |
| 230 | EL0593303 | SCHLAUCH D9X3 SILIKON TRANSP. 80 SHORE | HOSE SILICONE D9X3 TRANSPARENT 80 SHORE |
| 240 | EL0593311 | SCHLAUCH D6X3 SILIKON TRANSP. SH. 80+-5 | SILICON HOSE D6X3 TRANSPARENT. SH. 80+-5 |
| 250 | EL0277665 | SCHLAUCHSCHELLE SPANNBEREICH 9-14 | HOSE CLIP CLAMPING RANGE 9-14 |
| 260 | EL0277673 | SCHLAUCHBINDER NS SPANNBEREICH 13-18 | HOSE CLIP NS 13-18 |
| 270 | EL2004069 | DICHTUNG SILIKON 27x15x2 | SEAL SILICON 27x15x2 |
| 280 | EL2001301 | ADAPTER G3/4"- 3/4" GHT | ADAPTER G3/4"- 3/4" GHT |
| 290 | EL2004302 | ROHR D10 BLAU PA LG 230 MM | PIPE D10 BLUE PA LG 230 MM |

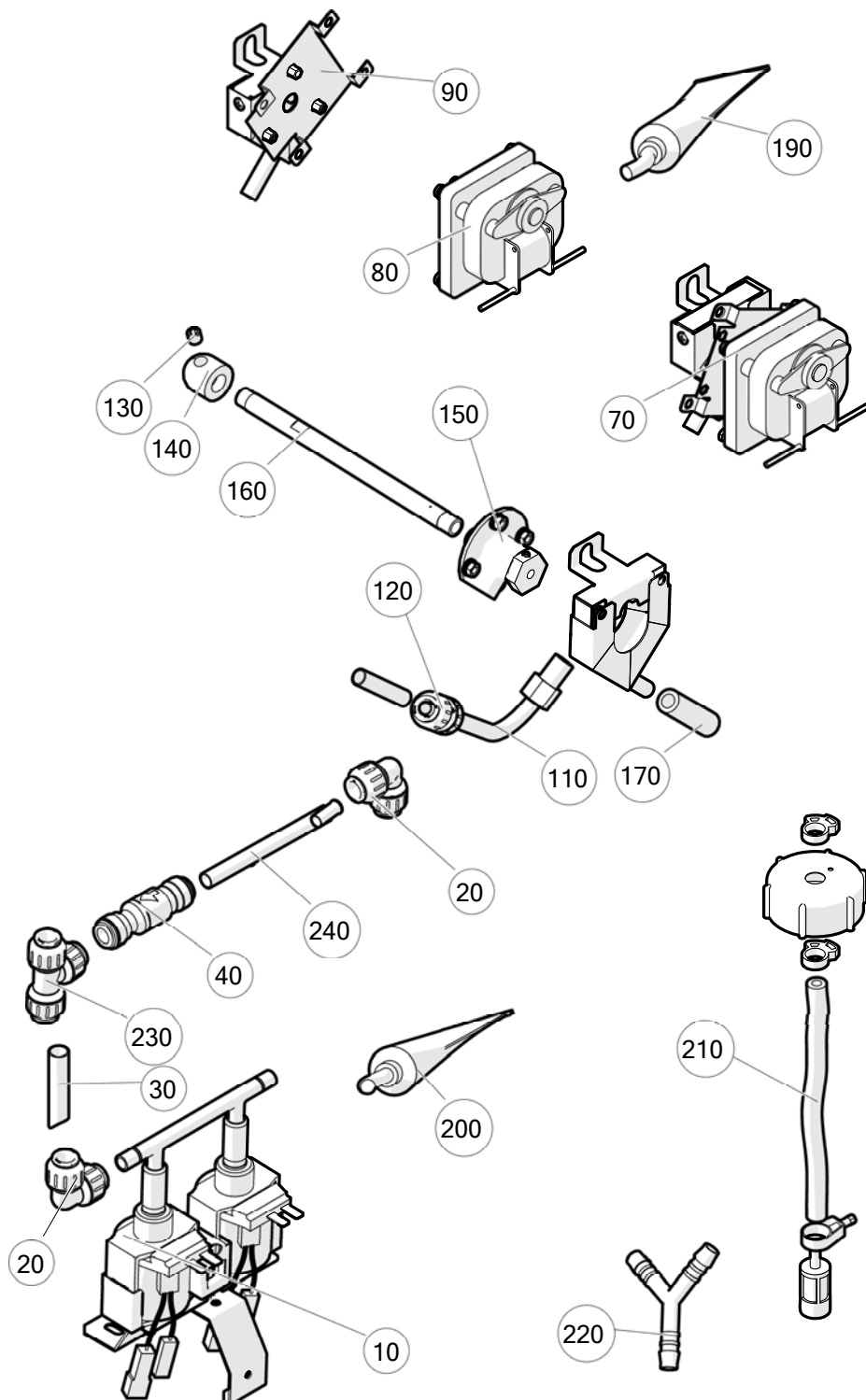
Ventile MM GMT 611 1011 ohne autoclean Serie/17 - Solenoid Valve 611 1011 without autoclean series/17



Ventile MM GMT 611 1011 ohne autoclean Serie/17 - Solenoid Valve 611 1011 without autoclean series/17

| | | | |
|-----|-----------|---|--|
| 10 | EL2003430 | BG WASSER 6-11/10-11 17 | ASSEMBLY WATER 6-11/10-11 17 |
| 20 | EL2001765 | DRUCKMINDERER R-SERIE 1,2 BAR | PRESSURE REDUCER R-SERIES 1,2 BAR |
| 30 | EL0508937 | GERADER VERBINDER | CONNECTOR STRAIGHT |
| 40 | EL0508941 | ROHR-STECKDORN 10MM/8MM | PIPE PIN WRENCH 10MM/8MM |
| 50 | EL0784028 | DRUCKSCHALTER | PRESSURE SWITCH |
| 60 | EL0773719 | WINKELSTUECK G 1/8 | ANGLE PIECE G 1/8 |
| 70 | EL2004029 | VENTIL ZWEIFACH 0,7-1 L/MIN TUERKIS | RPE DOUBLE VALVE 0,7-1 l/min TOURQUISE |
| 80 | EL0508943 | RPE EINFACHVENTIL RMV 158 | RPE VALVE 1-FOLD RMV 158 |
| 90 | EL2002983 | MAGNETVENTILBLECH KPL. 6-11/10-11 17 | HOLDING PLATE VALVE CPL. 6-11/10-11 17 |
| 100 | EL0508951 | REDUZIER VERBINDER GERADE | STRAIGHT REDUCER CONNECTOR |
| 110 | EL0508989 | SICHERUNGSRING 3/8" KUNSTSTOFF | SNAP RING 3/8" PLASTIC |
| 120 | EL2001439 | SICHERUNGSRING 5/16" JG | SNAP RING 5/16" JG |
| 130 | EL0508988 | EINSTECKWINKELVERBINDER | ELBOW PLUG-IN CONNECTOR |
| 140 | EL0509009 | SCHLAUCHREDUZIERTEUELLE GRS 10-6 | GROMMET REDUCER GRS 10-6 |
| 150 | EL0593567 | LOCTITE 511 GEWINDEDICHTUNG 50 ML | LOCTITE 511 SEALING MATERIAL 50 ML |
| 160 | EL2000760 | STECKDORN KPL.BL0,6 JG 10 / 6-11 | PIPE PIN WRENCH CPL.BL0,7 JG 10 / 6-11 |
| | EL2000762 | STECKDORN KPL.BL0,7 JG 10 / 10-11 | PIPE PIN WRENCH CPL.BL0,7 JG 10 / 10-11 |
| 170 | EL0509008 | FLOWMETER | FLOWMETER |
| 180 | EL0593303 | SCHLAUCH D9X3 SILIKON TRANSP. 80 SHORE | HOSE SILICONE D9X3 TRANSPARENT 80 SHORE |
| 190 | EL0593311 | SCHLAUCH D6X3 SILIKON TRANSP. SH. 80+-5 | SILICON HOSE D6X3 TRANSPARENT. SH. 80+-5 |
| 200 | EL0277665 | SCHLAUCHSCHELLE SPANNBEREICH 9-14 | HOSE CLIP CLAMPING RANGE 9-14 |
| 210 | EL0277673 | SCHLAUCHBINDER NS SPANNBEREICH 13-18 | HOSE CLIP NS 13-18 |
| 220 | EL2004069 | DICHTUNG SILIKON 27x15x2 | SEAL SILICON 27x15x2 |
| 230 | EL2001301 | ADAPTER G3/4"- 3/4" GHT | ADAPTER G3/4"- 3/4" GHT |

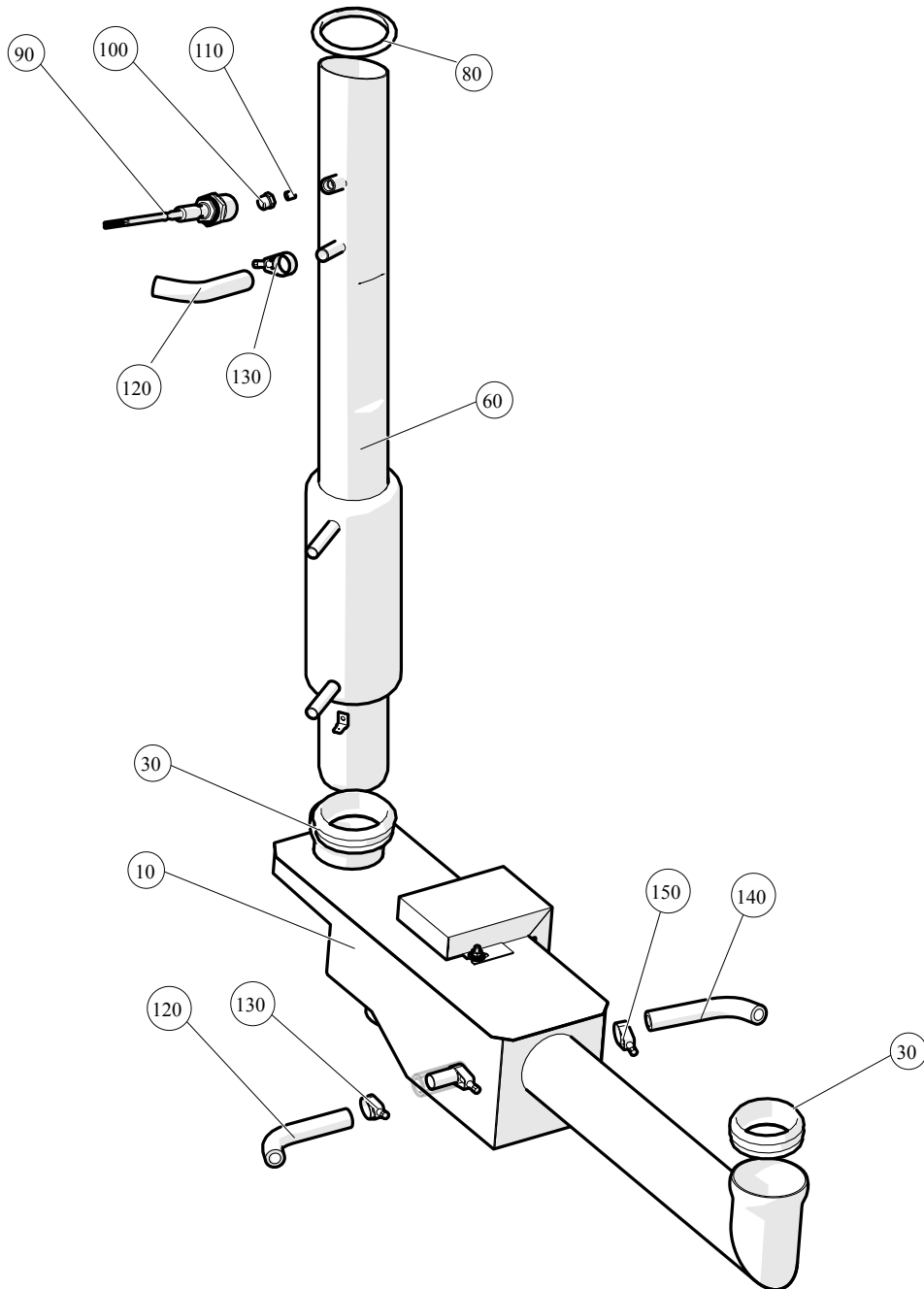
Autoclean MM GMT Serie/17 - Autoclean MM GMT series/17



Autoclean MM GMT Serie/17 - Autoclean MM GMT series/17

| | | | |
|-----|-----------|--|--|
| 10 | EL2004644 | BG PUMPEN AC (ET) | ASSEMBLED PUMP AUTOCLEAN SPARE PART |
| 20 | EL0508939 | WINKEL-VERBINDER 10MM | ANGLE JOINT 10MM |
| 30 | EL0508948 | ROHR D=10 BLAU PA | TUBE BLUE D=10 PA |
| 40 | EL2001029 | JG-RUECKSCHLAGVENTIL 10 SCV | JG-CHECK VALVE 10 SCV |
| 70 | EL2003617 | UBG ANTIIEBSMOTOR + EINHAUSUNG AC UL 17 | KIT DRIVE MOTOR + CONTAINMENT AC UL 17 |
| 80 | EL0774588 | GETRIEBEMOTOR AUTOCLEAN UL 230V | GEAR MOTOR AUTOCLEAN UL 230V |
| 90 | EL2003494 | BG EINHAUSUNG AC UL 6-11/10-11 17 | KIT HOUSING AC UL 6-11/10-11 17 |
| 100 | EL0783749 | UBG EINHAUSUNG AUTOCLEAN | SUB.ASS. KIT HOUSING AUTOCLEAN |
| 110 | EL0509024 | WASSERZULAUFROHR AUTOCLEAN KPL.012 | WATER INLET PIPE AUTOCLEAN CPL. 012 |
| 120 | EL0508937 | GERADER VERBINDER | CONNECTOR STRAIGHT |
| 130 | EL0753785 | GEWINDESTIFT DIN 913 M8X8 V2A | THREADED PIN DIN 913 M8X8 V2A |
| 140 | EL0753777 | HAUPTDUESE AUTOCLEAN GARRAUM 1/1 D2K | MAIN NOZZLE AUTOCLEAN 1/1 D2K |
| 150 | EL0775177 | VBG ACHSE-NABE AUTOCLEAN | PRE-ASSEMBLED AXLE/HUB AUTOCLEAN |
| 160 | EL0753793 | DUESENROHR AUTOCLEAN D2K 611 1011 2011 | NOZZLE PIPE AUTOCLEAN D2K 611 1011 2011 |
| 170 | EL0593303 | SCHLAUCH D9X3 SILIKON TRANSP. 80 SHORE | HOSE SILICONE D9X3 TRANSPARENT 80 SHORE |
| 180 | EL0753823 | KONDENSATOR 0.27 MICROF 400VAC E-308065 | CAPACITOR 0.27 MICROF 400VAC E-308065 |
| 190 | EL0872849 | SILIKONKLEB.,NOVASIL S25 KARTUSCHE 80 ML | SILICONE ADHES. NOVASIL S25 CARTR. 80 ML |
| 200 | EL0371327 | LOCTITE 542 GEWINDEDICHTUNG GAS 50ML | LOCTITE 542 SEALING MATERIAL GAS 50ML |
| 210 | EL0756296 | UBG KANISTERANSCHLUSS D2K | ASS.KIT ACCESSOIRES CANISTER D2K |
| | EL0893587 | SET AUTOCLEAN D2K KOMBIMIX | KIT AUTOCLEAN D2K KOMBIMIX |
| 220 | EL0756024 | Y-VERBINDUNGSSTUECK AUTOCLEAN 10MM | Y-SHAPED TUBE CONNECTING 10MM |
| 230 | EL0508938 | T-VERBINDER | T-JOINT |
| 240 | EL2003549 | ROHR D10 BLAU PA LG 110 MM 17 | TUBE D10 BLUE PA LENGTH 110 MM 17 |

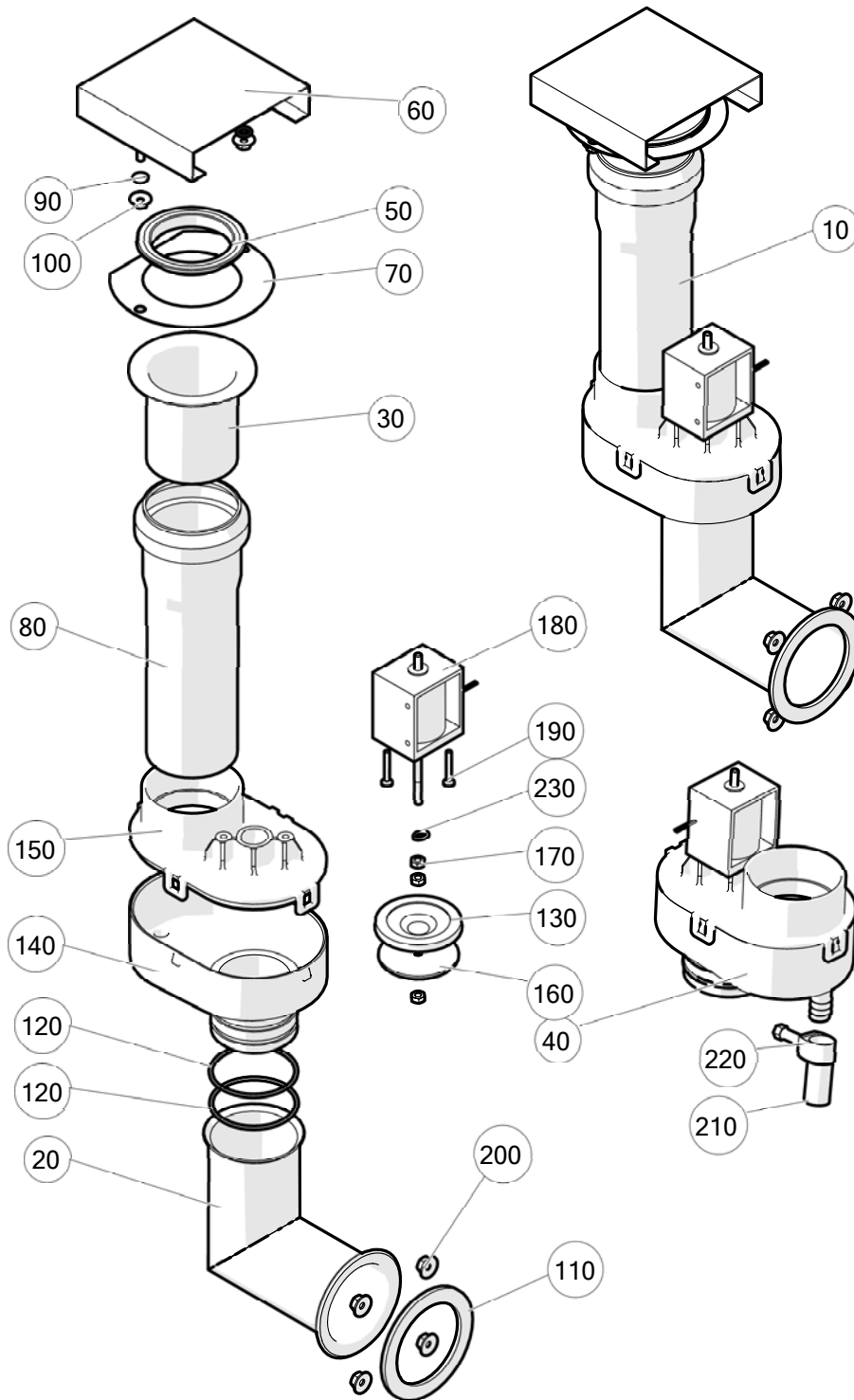
Ablauf und Abluftrohr MM GMT Serie/17 - Drain and Exhaust Air Pipe MM GMT series/17



Ablauf und Abluftrohr MM GMT Serie/17 - Drain and Exhaust Air Pipe MM GMT series/17

| | | | |
|-----|-----------|---|--|
| 10 | EL0510747 | SIPHON MONT. 61011 RA | SIPHON ASSEMBLED 61011 RA |
| | EL0510748 | SIPHON MONT. 61011 LA | SIPHON ASSEMBLED 61011 LA |
| 30 | EL0307025 | DICHTELEMENT DN 50 SILIKON | SEALING ELEMENT DN 50 SILICONE |
| 60 | EL0507018 | ABLUFTRÖHR KPL.6-11 MIT WÄRMETAUSCHER GAS 010 | EXHAUST PIPE CPL. 6-11 W. HEAT EXCHANGER GAS 010 |
| | EL0507019 | ABLUFTRÖHR KPL.10-11 MIT WÄRMETAUSCHER GAS 010 | EXHAUST PIPE 10-11 WITH HEAT EXCHANGER GAS 010 |
| | EL2003871 | ABLUFTRÖHR KPL. OHNE WÄRMETAUSCHER 6-11 GAS 17 | EXHAUST PIPE NO HEAT EXCHANGER GAS 6-11 17 |
| | EL2003872 | ABLUFTRÖHR KPL. OHNE WÄRMETAUSCHER 10-11 GAS 17 | EXHAUST PIPE NO HEAT EXCHANGER G 10-11 |
| 80 | EL2001027 | DICHTUNG ABLUFT | GASKET EXHAUST AIR |
| 90 | EL2003564 | NICRNI-FUEHLER JSTXA-STECKER | NICRNI-SENSOR JSTXA-PLUG |
| 100 | EL0759864 | STOPFBUCHSENNIPPEL D=6 | FITTING D=6 |
| 110 | EL0268666 | DICHTUNG 3X1,5X6 SILIKON 60 SHORE | SEALING RING 3X1,5X6 SILICONE 60 SHORE |
| 120 | EL0593303 | SCHLAUCH D9X3 SILIKON TRANSP. 80 SHORE | HOSE SILICONE D9X3 TRANSPARENT 80 SHORE |
| 130 | EL0276634 | SCHLAUCHSCHELLE NS SPANNBEREICH 14-1 | HOSE CLAMP 14-19 |

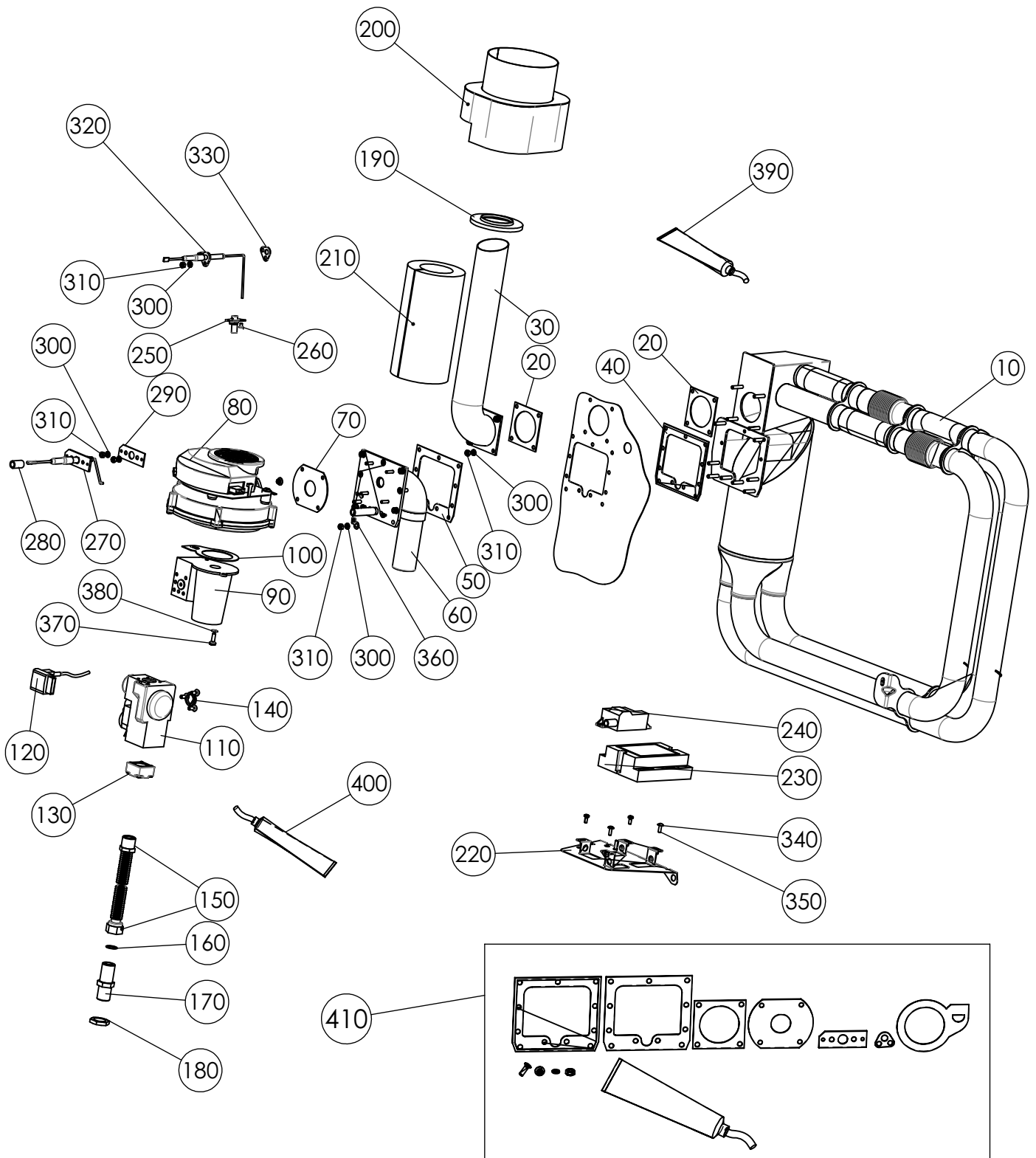
Zuluft MM GMT Serie/17 - Air Supply MM GMT series/17



Zuluft MM GMT Serie/17 - Air Supply MM GMT series/17

| | | | |
|-----|-----------|--|---|
| 10 | EL2003133 | BG ZULUFT 6-11 17 | ASSEMBLY KIT AIR SUPPLY 6-11 17 |
| | EL2002802 | BG ZULUFT 10-11 17 | ASSEMBLY KIT AIR SUPPLY 10-11 17 |
| 20 | EL2002799 | ZULUFTROHR KPL. 17 | SUPPLY AIR PIPE CPL. 17 |
| 30 | EL2002804 | ZULUFTROHR 6-11/10-11 17 | SUPPLY AIR PIPE 6-11/10-11 17 |
| 40 | EL2003127 | ZULUFTVENTIL VMONT. 6-11/10-11 M 17 | AIR SUPPLY VALVE VMONT. 6-11/10-11 M 17 |
| 50 | EL0757071 | DICHTUNGSRING D68XD50X3 6-10-20/11 D2K | SEALING RING D68XD50X3 6-10-20/11 D2K |
| 60 | EL0575895 | KAPPE ZULUFT D2K | CAP SUPPLY AIR D2K |
| 70 | EL2003159 | KLEMMRING ZULUFT 6-11/10-11 17 | CLAMP RING SUPPLY AIR 6-11/10-11 17 |
| 80 | EL2003132 | HT-ROHR DN50X170MM LANG 17 | HT PIPE DN50X170MM LONG 17 |
| | EL2002803 | HT-ROHR DN50X310MM LANG 17 | HT PIPE DN50X310MM LONG 17 |
| 90 | EL0013455 | O-RING 3,68X1,78 | O-RING 3,68X1,78 |
| 100 | EL0553395 | SCHEIBENMUTTER M4 V2A | DISK NUT M4 V2A |
| 110 | EL0757071 | DICHTUNGSRING D68XD50X3 6-10-20/11 D2K | SEALING RING D68XD50X3 6-10-20/11 D2K |
| 120 | EL2003128 | O-RING 45x2Vi580 FKM 80 SCHWARZ | O-RING 45x2Vi580 FKM 80 BLACK |
| 130 | EL2002818 | VENTILDICHTUNG ZULUFT 17 | VALVE GASKET SUPPLY AIR 17 |
| 140 | EL2002806 | ZULUFTVENTIL UT 6-11/10-11 M 17 | AIR SUPPLY VALVE LP 6-11/10-11 M 17 |
| 150 | EL2002807 | ZULUFTVENTIL OT 6-11/10-11 M 17 | SUPPLY AIR VALVE UP 6-11/10-11 M 17 |
| 160 | EL2002817 | VENTILPLATTE ZULUFT 17 | VALVE PLATE SUPPLY AIR 17 |
| 170 | EL0003905 | SECHSKANTMUTTER DIN 934 M4 V2A | HEXAGON NUT DIN 934 M4 V2A |
| 180 | EL2003126 | HUBMAGNET MONOSTABIL 6-11/10-11 17 | LIFTING MAGNET MONOSTABLE 6-11/10-11 17 |
| 190 | EL0010464 | LINSENSCHRAUBE DIN 7985 M3X20 V2A | LENS HEAD SCREW DIN 7985 M3X20 V2A |
| 200 | EL0752746 | SCHEIBENMUTTER M5 V2A | DISK NUT M5 V2A |
| 210 | EL0593303 | SCHLAUCH D9X3 SILIKON TRANSP. 80 SHORE | HOSE SILICONE D9X3 TRANSPARENT 80 SHORE |
| 220 | EL0277673 | SCHLAUCHBINDER NS SPANNBEREICH 13-18 | HOSE CLIP NS 13-18 |

Gas MM GMT 611 1011 Series/17 - Gas MM GMT 611 1011 Series/17



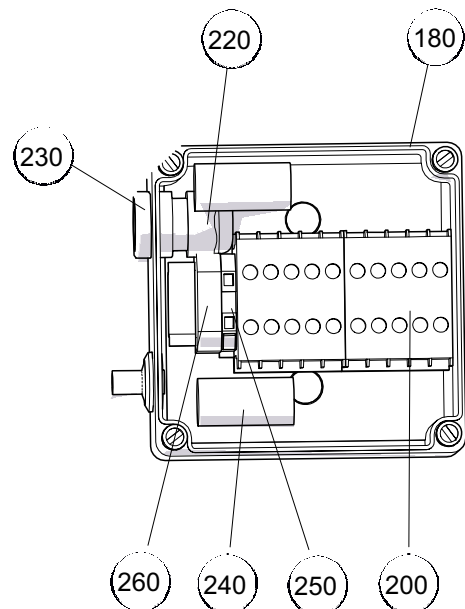
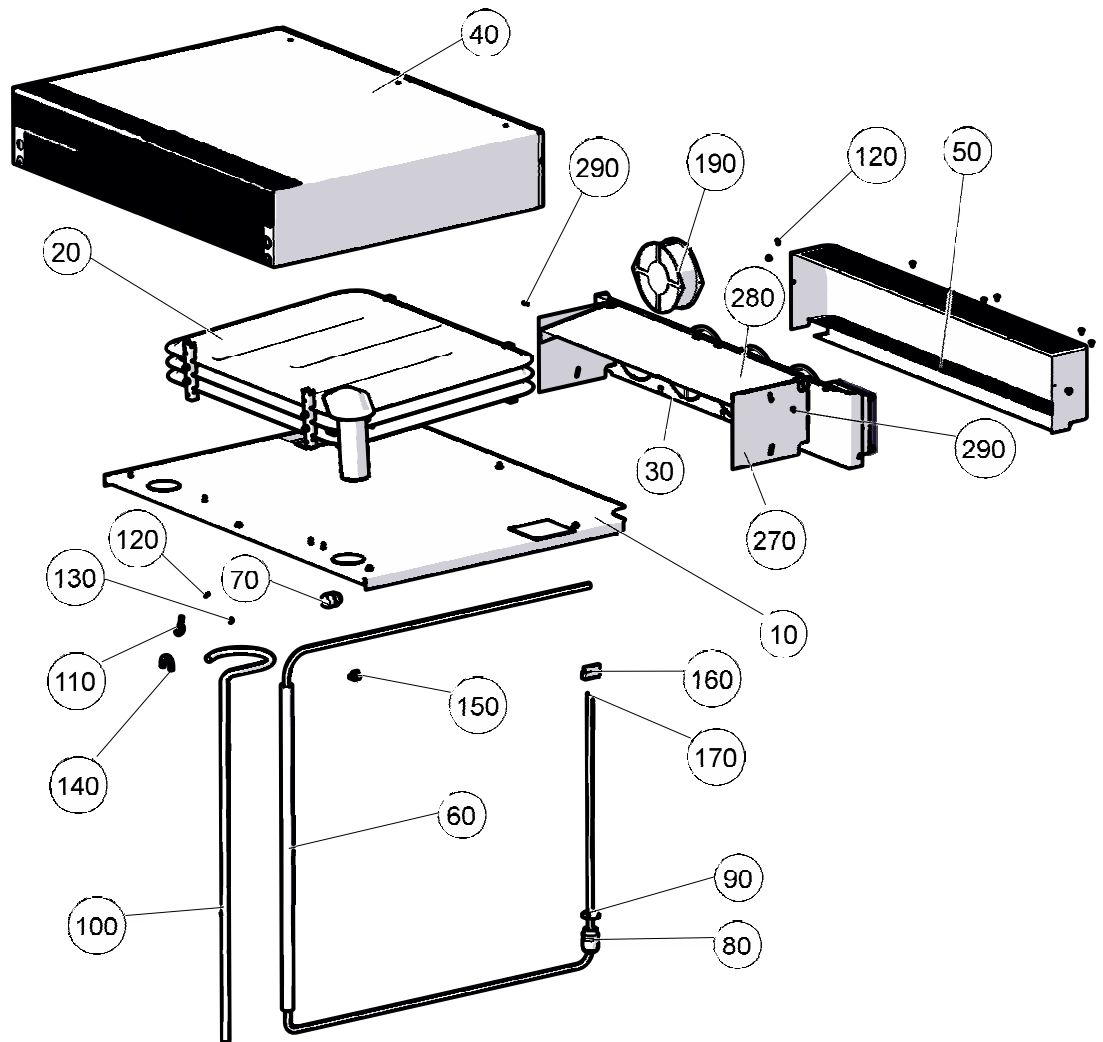
Gas MM GMT 611 1011 Series/17 - Gas MM GMT 611 1011 Series/17

| | | | |
|-----|------------|--|---|
| 10 | EL2005783 | GAS-WT-611-RA-MIT-KOMPENSATOREN | GAS HEAT EXCHANGER 611 RA WITH COMPENSATOR |
| | EL20057891 | GAS-WT-1011-2011-RA-MIT-KOMPENSATOREN | GAS HEAT EXCHANGER 1011 2011 RA WITH COMPENSATOR |
| 20 | EL0505953 | DICHTUNG ABGASFLANSCH 010 | GASKET FOR EXHAUST FLANGE 010 |
| 30 | EL0742694 | ABGASROHR KPL D2K 611 | EXHAUST GAS PIPE CPL. 611 |
| | EL0744026 | ABGASROHR KPL D2K 1011 | EXHAUST GAS PIPE CPL. 1011 |
| 40 | EL0507458 | DICHTUNG BRENNERKAMMER INNEN 611 1011 2011 | GASKET WITH FRINGE FOR BURNER / HEAT EXCHANGER INSIDE 611, 1011, 2011 |
| 50 | EL0505948 | DICHTUNG BRENNERK.AUSSEN 6/10/2011 010 | GASKET FOR BURNER / HEAT EXCHANGER OUTSIDE 611, 1011, 2011 |
| 60 | EL0510246 | GASBRENNER 6 -11 013 | GAS BURNER 6 -11 013 |
| | EL0510247 | GASBRENNER 10-11/20-11 013 | GAS BURNER 10-11/20-11 013 |
| 70 | EL0505956 | DICHTUNG RADIALGEBLAESE 010 | GASKET RADIAL FAN 010 |
| 80 | EL0742686 | RADIALUEFTER GAS 611 1011 2011 | RADIAL FAN 611 1011 2011 GAS |
| 90 | EL0743925 | VENTURI TYP 055 6-11 | VENTURI TYPE 055 6-11 |
| | EL0743933 | VENTURI GAS TYP 003 10-11 | VENTURI GAS TYPE 003 10-11 |
| 100 | EL0744085 | DICHTUNG VENTURI D2K ELOMA 425216 | GASKET VENTURI D2K ELOMA 425216 |
| 110 | EL0501077 | GASREGELVENTIL 110 V NA | GAS REGULATING VALVE 110 V NA |
| 120 | EL0508666 | KABEL MIT GLEICHRICHTER KONF.120V61011 011 | ASSEMBLED CABLE WITH RECTIFIER120V61011 011 |
| 130 | EL0770914 | FLANSCH GERADE 1/2HONEYW.45.900.400-102 | FLANGE STRAIGHT 1/2HONEYW.45.900.400-102 |
| 140 | EL0743941 | DICHTUNGSSATZ GASREGELVENTIL | GASKET SET FOR GAS REGULATING VALVE |
| 150 | EL0508892 | RINGWELLSCHLAUCH DN 12 I-A 1/2" 700LG | METAL HOSE CORRUGATED DN 12 I-A 1/2" 700LG |
| 160 | EL0773891 | DICHTUNG GASVERSCHR.D18X12X2 DVGW-STAND. | SEALING RING GAS CONNECTION D18X12X2 |
| 170 | EL0765309 | DOPPELNIPPEL SW 24 MS VERN. | DOUBLE NIPPLE SW 24 MS NICKEL PLATES |
| 180 | EL0054232 | MUTTER R 1/2 ZOLL MS NI | HEXAGON NUT R 1/2 INCH MS |
| 190 | EL0786586 | MANSCHETTE GAS | SLEEVE GAS |
| 200 | EL0766682 | ZUGUNTERBRECHUNG KPL 611 1011 | FLOW SAFEGUARD CPL. 611 1011 |
| 210 | EL0785784 | ROHRSCHALE 800 ALU ROCKWOOL D54 X 20MM | TUBE INSULATION 800 ALUMINIUM ROCKWOOL D54X20MM |
| 220 | EL2002990 | HALTEBLECH GASFEUERUNGSAUTOMAT UL 17 | HOLDING PLATE GAS CONTROL UNIT UL 17 |
| 230 | EL2003770 | GASFEUERUNGSAUTOMAT UL 17 | CONTROL UNIT FOR GAS BURNER UL 17 |
| 240 | EL0510284 | ZUENDTRAF0 GAS 013 | IGNITION TRANSFORMER GAS 013 |
| 250 | EL0508821 | ELEKTRODENFUEHRUNG 11-21 | GUIDANCE IONISATION ELECTRODE 11-21 |
| 260 | EL0570923 | SECHSKANTSCHRAUBE DIN 933 M4X6 V2A | HEXAGON HEAD SCREW DIN 933 M4X6 V2A |
| 270 | EL0507183 | ZUENDELEKTRODE D2K 6/10/2011 010/2 | IGNITION ELECTRODE D2K 6/10/2011 010/2 |
| 280 | EL0039764 | SCHLAUCH D 8X2 SILICONKAUTSCHUK | Hose silicone D 8x2 |
| 290 | EL0505955 | DICHTUNG ZUENDELEKTRODE 6/10/2011 010 | GASKET IGNITION ELECTRODE 6/10/2011 010 |
| 300 | EL0507998 | KEILSI.SCHEIBENPAAR 5,4 A4 DIN 25201 | SAFETY WASHER DIN 25201 Ø5,4 |
| 310 | EL0252867 | MUTTER DIN 934 M5 V2A | HEXAGON NUT DIN 934 M5 V2A |
| 320 | EL0508819 | IONISATIONSELEKTRODE 6/10/2011 GEFUEHRT | IONISATION ELECTRODE 6/10/2011 GUIDED |
| 330 | EL0507478 | DICHTUNG IONISATIONSELEKTR.6/10/2011 010 | GASKET IONISATION ELECTRODE 6/10/2011 010 |
| 340 | EL0010502 | LINSENSCHRAUBE DIN 7985 M4X10 V2A | LENS HEAD SCREW DIN 7985 M4X10 V2A |
| 350 | EL0001007 | SCHEIBE DIN 125 A4,3 V2A | WASHER DIN 125 A4,3 V2A |
| 360 | EL0752541 | MS-ERDUNGSZEICHEN FUER M6 | EARTH SYMBOL M6 |
| 370 | EL0189405 | LINSENSCHRAUBE DIN 7985 M5X10 V2A | LENS HEAD SCREW DIN 7985 M5X10 V2A |
| 380 | EL0893765 | FAECHERSCHEIBE DIN 6798 A5,3 V2A | SERRATED LOCK WASHER DIN 6798 A5,3 V2A |
| 390 | EL0508049 | KUPFERPASTE S 425 5G-TUBE | GRAPHITE PASTE S 425 5G |
| 400 | EL0371327 | LOCTITE 542, 50ml-Flasche Gew.dichtg. | LOCTITE 542 SEALING MATERIAL GAS 50ML |
| 410 | EL0507503 | DICHTUNGSSATZ GAS 6/10/2011 VERS.3 | GASKET SET FOR GAS 6/10/2011 VERS.3 |

Kabelbaum MM GMT 611 1011 Serie/17 - Harness MM GMT 611 1011 series/17

| | | |
|-----------|---|---|
| EL2003555 | KABELBAUM 6-11 EINSPEISUNG 3AC 200-240V UL | CABLE HARNESS 6-11 FEEDING 3AC 200-240V UL |
| EL2003556 | KABELBAUM 6-11 EINSPEISUNG 3AC 480V UL | CABLE HARNESS 6-11 FEEDING 3AC 480V UL |
| EL2003559 | KABELBAUM 10-11 EINSPEISUNG 3AC 200-240V UL | CABLE HARNESS 10-11 FEEDING 3AC 200-240V UL |
| EL2003560 | KABELBAUM 10-11 EINSPEISUNG 3AC 480V UL | CABLE HARNESS 10-11 FEEDING 3AC 480V UL |
| EL2003417 | KABELBAUM 6-11/10-11 EINSPEISUNG 1NAC 115V GAS UL | CABLE HARNESS 6-11/10-11 FEEDING 1NAC 110-130V GAS UL |
| EL2003553 | KABELBAUM 6-11 STEUERUNG UL | CABLE HARNESS 6-11 CONTROL UL |
| EL2003557 | KABELBAUM 10-11 STEUERUNG UL | CABLE HARNESS 10-11 CONTROL UL |
| EL2003554 | KABELBAUM 6-11 AUTOCLEAN UL | CABLE HARNESS 6-11 AUTOCLEAN UL |
| EL2003558 | KABELBAUM 10-11 AUTOCLEAN UL | CABLE HARNESS 10-11 AUTOCLEAN UL |
| EL2003563 | KABEL BELEUCHTUNG GERAETESEITE M 17 | CABLE LIGHTING UNIT SIDE MM 17 |
| EL2001143 | KABELBAUM LUEFTER 61011 | CABLE HARNESS FAN 61011 |
| EL2003540 | VERBINDUNGSKABEL BELEUCHTUNG | CONNECTING CABLE ILLUMINATION |
| EL2003563 | VERBINDUNGSKABEL BELEUCHTUNG GERÄTESEITE | CABLE ILLUMINATION UNIT SIDE |
| EL2003564 | NICRNI-FUEHLER JSTXA-STECKER | NICRNI-SENSOR JSTXA-PLUG |
| EL2003565 | MAGNETSCHALTER JST-STECKER | MAGNETIC SWITCH JST-PLUG |
| EL2004762 | VERBINDUNGSKABEL MM/IO2 UL | CONNECTION CABLE MM-IO2 UL |
| EL2003208 | KABEL EIN-AUS-TASTER ZU CPU C0 | CABLE ON-OFF BUTTON TO CPU C0 |
| EL2003561 | VERBINDUNGSKABEL USB-CPU MM | CONNECTION CABLE USB-CPU MM |
| EL2004078 | KABEL OPTION OHNE AC | CABLE OPTION WITHOUT AC |
| EL2003566 | VERBINDUNGSKABEL GMT2-IO2 | CONNECTION CABLE GMT2-IO2 |
| EL2003487 | KABEL E-A TASTER ZU C2 GMT | CABLE ON-OFF BUTTON TO CPU C2 GMT |
| EL2000267 | USB KABEL A AUF B | USB CABLE A TO B |
| EL2002613 | KABEL AUDIO | AUDIO CABLE |
| EL2000933 | KABEL USB (TOUCH C2 BOARD) | CABLE USB (TOUCH C2 BOARD) |

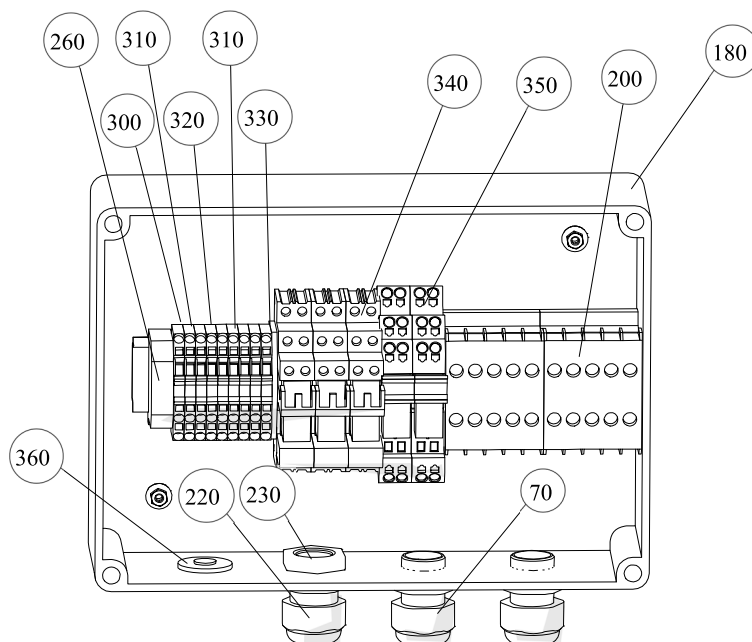
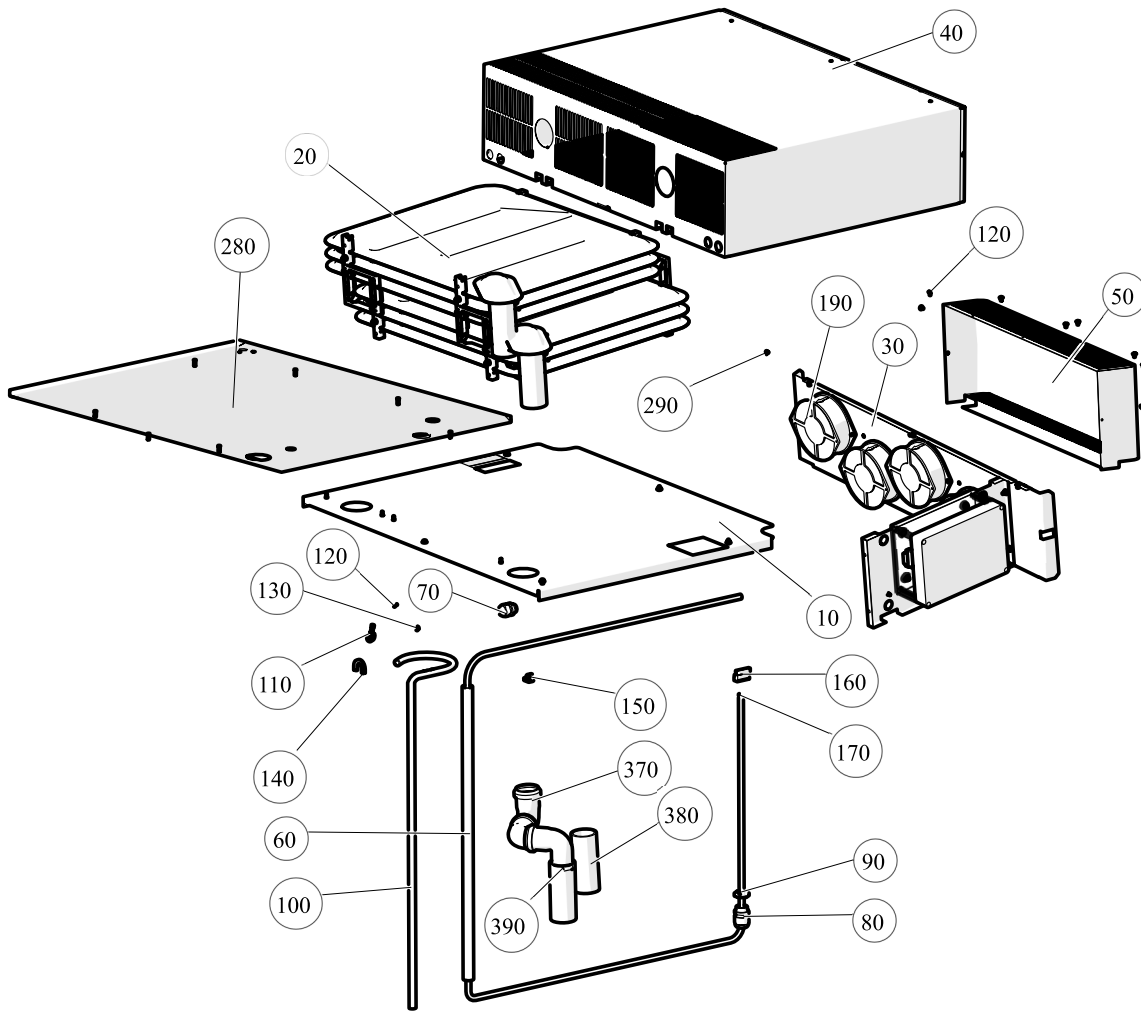
KH2 und N-KH2 Kondensationshaube MM GMT Serie/17 - KH2 and N-KH2 condensation hood MM GMT serie



KH2 und N-KH2 Kondensationshaube MM GMT Serie/17 - KH2 and N-KH2 condensation hood MM GMT series/17

| | | | |
|-----|-----------|--|---|
| 10 | EL2003508 | BODEN KPL. N-KH2 17 (RA und LA) | BASE CPL. N-KH2 17 (RA and LA) |
| 20 | EL2000954 | KONDENSATOR KH2-13 RA | STEAM CONDENSER KH2-13 RA |
| 20 | EL2001679 | KONDENSATOR KH2-13 LA | STEAM CONDENSER KH2-13 LA |
| 30 | EL2001844 | LUEFTUNG MONT. KH2 MT RA | VENTILATION MOUNT. KH2 MT RA |
| 30 | EL2001845 | LUEFTUNG MONT. KH2 MT LA | VENTILATION MOUNT. KH2 MT LA |
| 30 | EL2003534 | LUEFTUNG MONT. N-KH2 RA 17 | VENTILATION MOUNT. N-KH2 RA 17 |
| 30 | EL2003810 | LUEFTUNG MONT. N-KH2 LA 17 | VENTILATION MOUNT. N-KH2 LA 17 |
| 40 | EL0503611 | HAUBENTEIL HINTEN KH2 08 | SHEET METAL HOOD REAR KH2 08 |
| 50 | EL0503612 | HAUBENTEIL VORN KH2 09 RA | SHEET METAL HOOD ABOVE KH2 09 RA |
| 50 | EL0504655 | HAUBENTEIL VORN KH2 09 LA | SHEET METAL HOOD ABOVE KH2 09 LA |
| 60 | EL2000959 | SCHUTZROHR KPL. KH2 MIX MT | PROTECTIVE TUBE CPL.KH2MIX MT |
| 70 | EL2001024 | KABELVERSCHRAUBUNG M20 | CABLE CONNECTION M20 |
| 80 | EL0501319 | VERSCHRAUBUNG M25X1,5 POLYAMID | CABLE CONNENCTION M25X1,5 POLYAMIDE |
| 90 | EL0501321 | KONTERMUTTER M25X1,5 POLYAMID | LOCK NUT M25X1,5 POLYAMIDE |
| 100 | EL0593303 | SCHLAUCH D9X3 SILIKON TRANSP. 80 SHORE | HOSE SILICONE D9X3 TRANSPARENT 80 SHORE |
| 110 | EL0277665 | SCHLAUCHSCHELLE SPANNBEREICH 9-14 | HOSE CLIP CLAMPING RANGE 9-14 |
| 120 | EL0525316 | BECHERSCHRAUBE M4X8 V2A | CUP SCREW M4X8 V2A |
| 130 | EL0553395 | SCHEIBENMUTTER M4 V2A | DISK NUT M4 V2A |
| 140 | EL0510663 | KANTENSCHUTZPROFIL ET-056 | EDGE PROTECTION PROFILE ET-056 |
| 150 | EL0262390 | BEFESTIGUNGSSCHELLE TYP H9P-NP66-NA | FASTENING CLAMP TYPE H9P-NP66-NA |
| 160 | EL0502785 | STIFTLEISTE 7-POLIG | HEADER, 7 POLES |
| 170 | EL0503225 | KABELBAUM KH 2 | HARNESS KH 2 |
| 170 | EL2003531 | KABELBAUM N-KH2 | HARNESS N-KH 2 |
| 180 | EL0503222 | VERTEILERDOSE KH 2 | DISTRIBUTION BOX KH 2 |
| 190 | EL2000835 | AXIALGEBLAESE 150mm | AXIAL FAN FULLTECH 150MM |
| 200 | EL0503221 | SCHUETZ KH 2 | CONTACTOR KH 2 |
| 220 | EL0506801 | KABELVERSCHRAUBUNG M20X1,5 VIERFACH | CABLE CONNECTION M20X15 QUADRUPLE |
| 230 | EL0506802 | MUTTER FUER KABELVERSCHRAUBUNG 20X1,5 | NUT FOR CABLE CONNECTION 20X1,5 |
| 240 | EL0501087 | ENTSTOERKOND. KPL.M. KAB.KRALLS.NICHT UL | ANTI-INTERFERENCE CAPACITOR NOT UL |
| 250 | EL0594997 | KLEMME-SCHUTZLEITER 4 QMM ELOMA 371024 | CONNECTOR BLOCK 4 QMM ELOMA 371024 |
| 260 | EL0337676 | KUNSTSTOFFENDWINKEL 10 MM BREIT | END CLAMP 10MM |
| 270 | EL2001476 | LEITBLECH KH2 | DEFLECTOR KH2 |
| 280 | EL2003523 | GEHAEUSEDECKEL KPL. KH2 RA 17 | CASING COVER CPL. KH2 RA 17 |
| 280 | EL2003763 | GEHAEUSEDECKEL KPL. KH2 LA 17 | CASING COVER CPL. KH2 LA 17 |
| 290 | EL0001015 | LINSENSCHRAUBE DIN 7985 M4X8 V2A | LENS HEAD SCREW DIN 7985 M4X8 V2A |

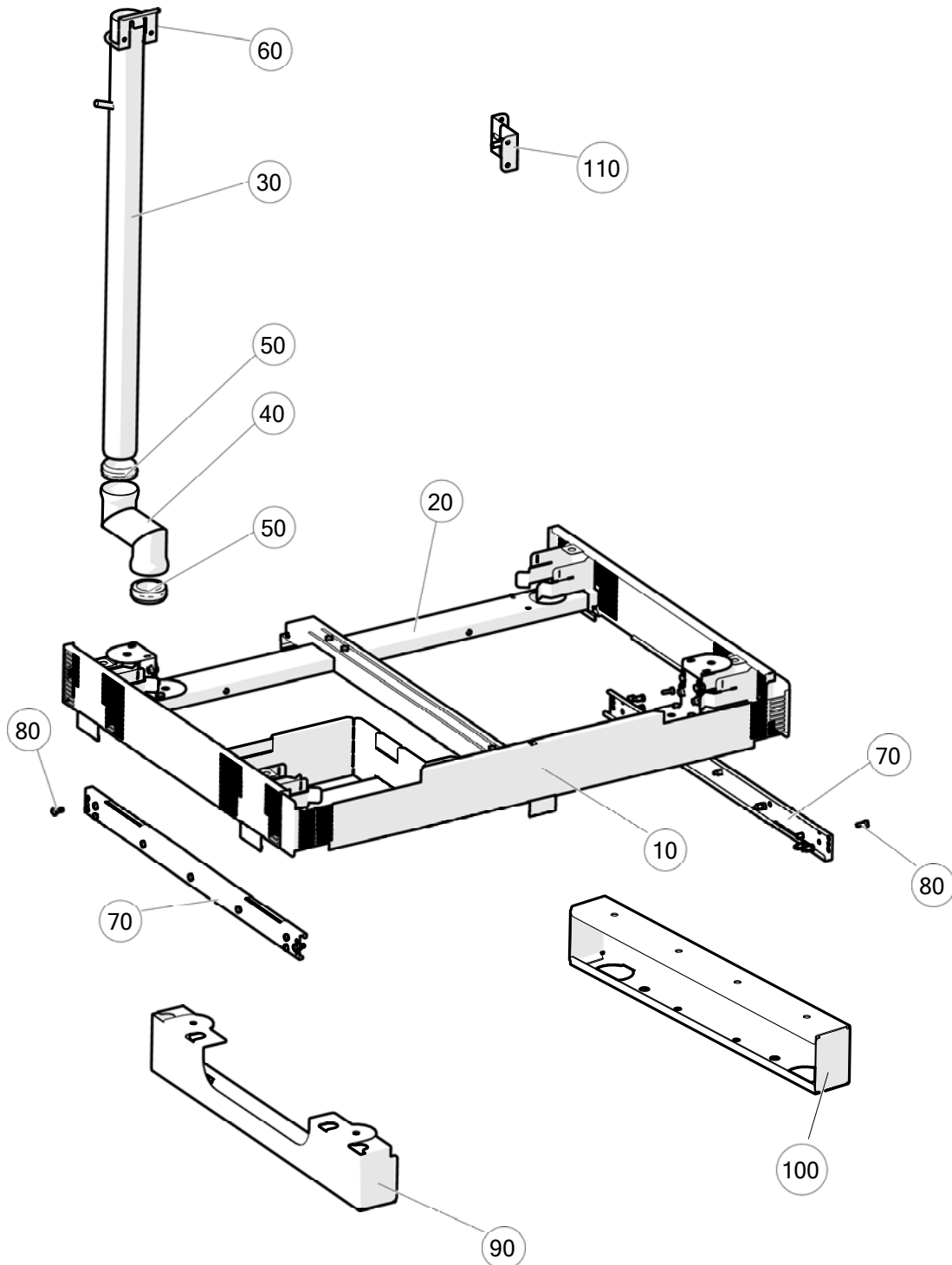
KH2 und N-KH2 Kondensationshaube MM GMT Serie/17 - KH2 and N-KH2 condensation hood MM GMT serie



KH2 und N-KH2 Kondensationshaube MM GMT Serie/17 - KH2 and N-KH2 condensation hood MM GMT serie

| | | | |
|-----|-----------|--|--|
| 10 | EL2003508 | BODEN KPL. N-KH2 17 (RA und LA) | BASE CPL. N-KH2 17 (RA and LA) |
| 20 | EL2000946 | DOPPELKONDENSATOR KH2mix MT | DOUBLE STEAM CONDENSER KH2-MIX MT |
| 20 | EL2001244 | DOPPELKONDENSATOR KH2 MIX MT LA | DOUBLE STEAM CONDENSER KH2 MIX MT LA |
| 30 | EL2000945 | LUEFTERBLECH MONT. KH2 MIX MT | VENTILATOR PLATE MOUNT. KH2 MIX MT |
| 30 | EL2001245 | LUEFTERBLECH MONT. KH2 MIX MT LA | VENTILATOR PLATE MOUNT. KH2 MIX MT LA |
| 30 | EL2003865 | LUEFTERBLECH MONT. RA N-KH2 MIX | VENTILATOR PLATE MOUNT. RA N-KH2 MIX |
| 30 | EL2003868 | LUEFTERBLECH MONT. LA N-KH2 MIX | VENTILATOR PLATE MOUNT. LA N-KH2 MIX |
| 30 | EL2005149 | LUEFTERBLECH MONT. KH2 MIX RA NA | VENTILATOR PLATE MOUNT. KH2 MIX RA NA |
| 30 | EL2005150 | LUEFTERBLECH MONT. KH2 MIX LA NA | VENTILATOR PLATE MOUNT. KH2 MIX LA NA |
| 30 | EL2005151 | LUEFTERBLECH MONT. N-KH2 MIX RA NA | VENTILATOR PLATE MOUNT. N-KH2 MIX RA NA |
| 30 | EL2005152 | LUEFTERBLECH MONT. N-KH2 MIX LA NA | VENTILATOR PLATE MOUNT. N-KH2 MIX LA NA |
| 40 | EL2000943 | HAUBE HINTEN KPL. KH2 MIX MT | SHEET METAL HOOD REAR CPL.KH2 MIX MT |
| 50 | EL2000602 | HAUBE VORN KH2 MIX MT RA | SHEET METAL HOOD ABOVE KH2 MIX MT RA |
| 50 | EL2001243 | HAUBE VORN KH2 MIX MT LA | SHEET METAL HOOD ABOVE KH2 MIX MT LA |
| 60 | EL2000959 | SCHUTZROHR KPL. KH2 MIX MT | PROTECTIVE TUBE CPL.KH2MIX MT |
| 70 | EL2001024 | KABELVERSCHRAUBUNG M20 | CABLE CONNECTION M20 |
| 80 | EL0501319 | VERSCHRAUBUNG M25X1,5 POLYAMID | CABLE CONNENCTION M25X1,5 POLYAMIDE |
| 90 | EL0501321 | KONTERMUTTER M25X1,5 POLYAMID | LOCK NUT M25X1,5 POLYAMIDE |
| 100 | EL0593303 | SCHLAUCH D9X3 SILIKON TRANSP. 80 SHORE | HOSE SILICONE D9X3 TRANSPARENT 80 SHORE |
| 110 | EL0277665 | SCHLAUCHSCHELLE SPANNBEREICH 9-14 | HOSE CLIP CLAMPING RANGE 9-14 |
| 120 | EL0525316 | BECHERSCHRAUBE M4X8 V2A | CUP SCREW M4X8 V2A |
| 130 | EL0553395 | SCHLEIBENMUTTER M4 V2A | DISK NUT M4 V2A |
| 140 | EL0510663 | KANTENSCHUTZPROFIL ET-056 | EDGE PROTECTION PROFILE ET-056 |
| 150 | EL0262390 | BEFESTIGUNGSSCHELLE TYP H9P-NP66-NA | FASTENING CLAMP TYPE H9P-NP66-NA |
| 160 | EL0502785 | STIFTLAISTE 7-POLIG | HEADER, 7 POLES |
| 170 | EL2001106 | KABELBAUM KH2 MIX | HARNESS KH2 MIX |
| 170 | EL2004344 | KABELBAUM KH2 MIX NA | HARNESS KH2 MIX NA |
| 170 | EL2003864 | KABELBAUM N-KH2 MIX | HARNESS N-KH2 MIX |
| 170 | EL2004145 | KABELBAUM N-KH2 MIX NA | HARNESS N-KH2 MIX NA |
| 180 | EL2000948 | GEHAEUSE RITTAL PK 9521.050 | HOUSING RITTAL PK 9521.050 |
| 190 | EL2000835 | AXIALGEBLAESE 150mm | AXIAL FAN FULLTECH 150MM |
| 200 | EL0503221 | SCHUETZ KH 2 | CONTACTOR KH 2 |
| 220 | EL0506801 | KABELVERSCHRAUBUNG M20X1,5 VIERFACH | CABLE CONNECTION M20X15 QUADRUPLE |
| 230 | EL0506802 | MUTTER FUER KABELVERSCHRAUBUNG 20X1,5 | NUT FOR CABLE CONNECTION 20X1,5 |
| 240 | EL0501087 | ENTSTOERKOND. KPL.M. KAB.KRALLS.NICHT UL | ANTI-INTERFERENCE CAPACITOR NOT UL |
| 250 | EL0594997 | KLEMME-SCHUTZLEITER 4 QMM ELOMA 371024 | CONNECTOR BLOCK 4 QMM ELOMA 371024 |
| 260 | EL0337676 | KUNSTSTOFFENDWINKEL 10 MM BREIT | END CLAMP 10MM |
| 280 | EL2003523 | GEHAEUSEDECKEL KPL. KH2 RA 17 | CASING COVER CPL. KH2 RA 17 |
| 280 | EL2003763 | GEHAEUSEDECKEL KPL. KH2 LA 17 | CASING COVER CPL. KH2 LA 17 |
| 290 | EL0001015 | LINSENSCHRAUBE DIN 7985 M4X8 V2A | LENS HEAD SCREW DIN 7985 M4X8 V2A |
| 300 | EL0570842 | PE-KLEMME 3-LEITER4QMM | PE CONNECTOR BLOCK 3-POLE 4QMM |
| 310 | EL0572071 | KLEMME 3LEITER 4QMM GRAU 281-631 | CONNECTOR BLOCK 3-POLE 4QMM GY 281-631 |
| 320 | EL0570818 | KLEMME 3 LEITER 4QMM BLAU ELOMA 371055 | CONNECTOR BLOCK 3-POLE 4QMM ELOMA 371055 |
| 330 | EL0337668 | ABSCHLUSSPLATTE GRAU 4,0 MM BNR.281-312 | END PLATE GY 4 MM BNR.281-312 |
| 340 | EL2001032 | KOPPEL-RELAIS-BAUSTEIN FINDER48.52.8.230 | DOUBLE RELAY MODULE 48.52.8.230 |
| 350 | EL0501204 | HILFSRELAIS SERIE 788 230 V | AUXILIARY RELAY SERIES 788 230 V |
| 360 | EL0503232 | DOPPELMEMBRANSTUTZEN M20 | DOUBLE MEMBRANE M20 |
| 370 | EL0581763 | HT-BOGEN 87 GRD DN50 DIN 19560 | HT BOW 87 GRD DN50 DIN 19560 |
| 380 | EL0580635 | SILIKONSCHLAUCH D50X5 | SILICONE TUBE D50X5 |
| 390 | EL0580791 | SCHLAUCHKLEMME 40-60 MM | HOSE CLAMP 40-60 MM |

Mixbausatz Elektro MM GMT Fusshöhe 100mm Serie/17 - Stacking kit electric units MM GMT foot height 100mm series/17



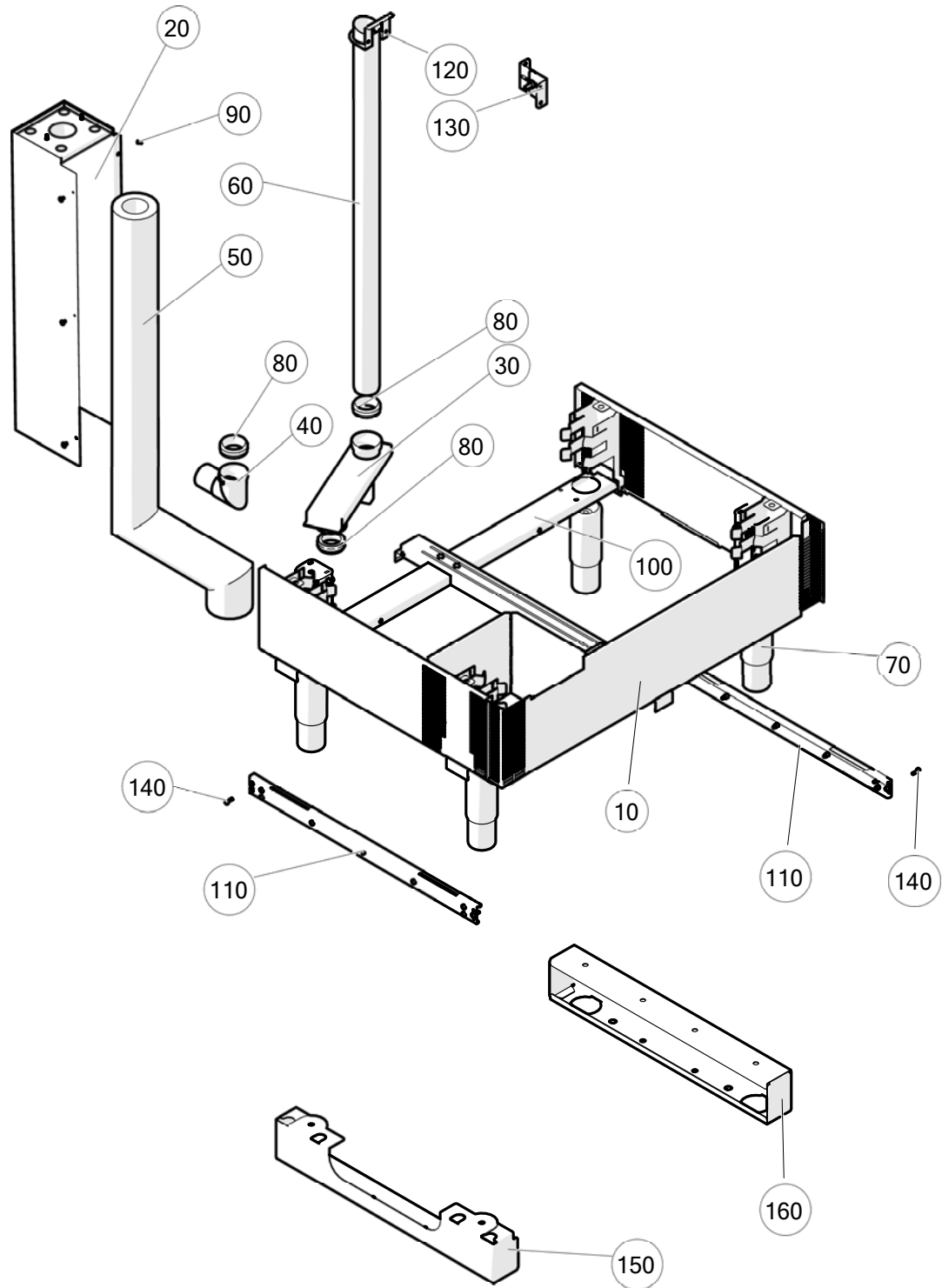
Mixbausatz Elektro MM GMT Fusshöhe 100mm Serie/17 - Stacking kit electric units MM GMT foot height 100mm series/17

| | | | |
|-----|-----------|-----------------------------------|------------------------------------|
| 10 | EL2000907 | BG FUSSVERKLEIDUNG 6-10/11 | KIT FOOT PANEL 6-10 /11 |
| 20 | EL2003000 | ZWISCHENRAHMEN MIX 6/10 17 | INTERMEDIATE FRAME MIX 6/10 |
| 30 | EL2000955 | ABLUFTRÖHR KPL. 611 KH2 MIX MT | EXHAUST PIPE CPL. 611 KH2 MIX MT |
| | EL2001234 | ABLUFTRÖHR KPL. 10/11 KH2 MIX MT | EXHAUST PIPE CPL. 10/11 KH2 MIX MT |
| 40 | EL0760188 | DOPPELMUFFE D2K MULTIMIX 61011 | DOUBLE SOCKET D2K MULTIMIX 61011 |
| 50 | EL0307025 | DICHTELEMENT DN 50 SILIKON | SEALING ELEMENT DN 50 SILICONE |
| 60 | EL2002796 | ROHRHALTER | TUBE HOLDER |
| 70 | EL2003020 | VERSTEIFUNG KPL. MIX MM | REINFORCEMENT COMPL. MIX MM |
| 80 | EL0010685 | LINSENSCHRAUBE DIN 7985 M5X16 V2A | LENS HEAD SCREW DIN 7985 M5X16 V2A |
| 90 | EL2002066 | TRAVERSE MOTORSEITE | CROSS BEAM MOTOR SIDE |
| 100 | EL2002067 | TRAVERSE TUERLAGERSEITE | TRAVERSE DOOR BEARING SIDE |
| 110 | EL2003364 | WANDBEFESTIGUNGSSET 50 BIS 80 MM | WALL FIXING SET 50 TO 80 MM |

Mixbausatz Elektro MM GMT Fusshöhe 150mm Serie/17 - Stacking kit electric units MM GMT foot height 150mm series/17

| | | | |
|-----|-----------|-----------------------------------|------------------------------------|
| 10 | EL2000907 | BG FUSSVERKLEIDUNG 6-10/11 | KIT FOOT PANEL 6-10 /11 |
| 20 | EL2003000 | ZWISCHENRAHMEN MIX 6/10 17 | INTERMEDIATE FRAME MIX 6/10 |
| 30 | EL2000955 | ABLUFTRÖHR KPL. 611 KH2 MIX MT | EXHAUST PIPE CPL. 611 KH2 MIX MT |
| 30 | EL2001234 | ABLUFTRÖHR KPL. 10/11 KH2 MIX MT | EXHAUST PIPE CPL. 10/11 KH2 MIX MT |
| 40 | EL0760188 | DOPPELMUFFE D2K MULTIMIX 61011 | DOUBLE SOCKET D2K MULTIMIX 61011 |
| 50 | EL0307025 | DICHTELEMENT DN 50 SILIKON | SEALING ELEMENT DN 50 SILICONE |
| 60 | EL2002796 | ROHRHALTER | TUBE HOLDER |
| 70 | EL2003020 | VERSTEIFUNG KPL. MIX MM | REINFORCEMENT COMPL. MIX MM |
| 80 | EL0010685 | LINSENSCHRAUBE DIN 7985 M5X16 V2A | LENS HEAD SCREW DIN 7985 M5X16 V2A |
| 90 | EL2004799 | TRAVERSE MOTORSEITE | CROSS BEAM MOTOR SIDE |
| 100 | EL2004800 | TRAVERSE TÜERLAGERSEITE | TRAVERSE DOOR BEARING SIDE |
| 110 | EL2003364 | WANDBEFESTIGUNGSSET 50 BIS 80 MM | WALL FIXING SET 50 TO 80 MM |
| 120 | EL2004915 | VERSTELLFUSS RUND 150MM M10 | BASE ADJUSTABLE ROUND 150 MM M10 |

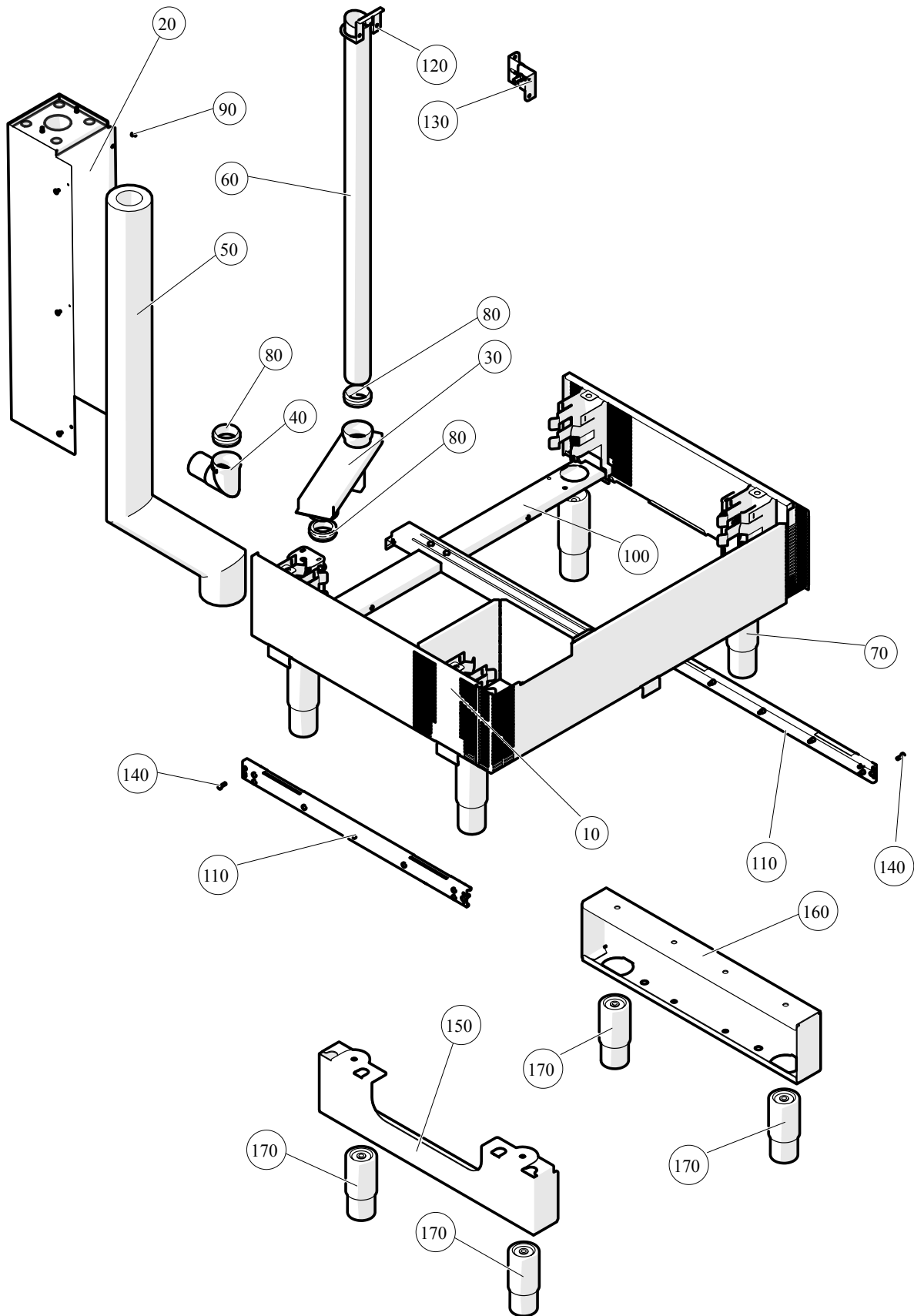
Mixbausatz Gas MM GMT Fusshöhe 200mm Serie/17 - Stacking kit gas units MM GMT foot height 200mm series / 17



Mixbausatz Gas MM GMT Fusshöhe 200mm Serie/17 - Stacking kit gas units MM GMT foot height 200mm series / 17

| | | | |
|-----|-----------|-------------------------------------|---|
| 10 | EL2001055 | BG FUSSVERKLEIDUNG 61011 RA GAS | KIT FOOT COVER 61011 RA GAS |
| 20 | EL0959154 | SCHACHT KPL KOMBI MIX GAS | SHAFT CPL KOMBI MIX GAS |
| 30 | EL0959243 | ABLUFTKANAL MULTIMIX GAS | AIR EXHAUST DUCT MULTIMIX GAS |
| 40 | EL0959502 | WINKELSTUECK ABLAUF MULTIMIX GAS | ANGLE PIECE DRAIN MULTIMAX GAS |
| 50 | EL0501262 | ABGASROHR MULTIMIX GAS UMMANTELT | EXHAUST PIPE MULTIMIX GAS JACKETED |
| 60 | EL0959235 | ABLUFTROHR MULTIMIX GAS | EXHAUST PIPE MULTIMIX GAS |
| 70 | EL0887811 | VERSTELLFUSS RUND 200 MM NYL BK M10 | BASE ADJUSTABLE ROUND 200 MM NYL BK M10 |
| 80 | EL0307025 | DICHTELEMENT DN 50 SILIKON | SEALING ELEMENT DN 50 SILICONE |
| 90 | EL0525316 | BECHERSCHRAUBE M4X8 V2A | CUP SCREW M4X8 V2A |
| 100 | EL2003751 | ZWISCHENRAHMEN MONT. GAS 17 | INTERMEDIATE FRAME GAS 17 |
| 110 | EL2003020 | VERSTEIFUNG KPL. MIX MM | REINFORCEMENT COMPL. MIX MM |
| 120 | EL2002796 | ROHRHALTER | TUBE HOLDER |
| 130 | EL2003364 | WANDBEFESTIGUNGSSET 50 BIS 80 MM | WALL FIXING SET 50 TO 80 MM |
| 140 | EL0010685 | LINSENSCHRAUBE DIN 7985 M5X16 V2A | LENS HEAD SCREW DIN 7985 M5X16 V2A |
| 150 | EL2002066 | TRAVERSE MOTORSEITE | CROSS BEAM MOTOR SIDE |
| 160 | EL2002067 | TRAVERSE TUERLAGERSEITE | TRAVERSE DOOR BEARING SIDE |

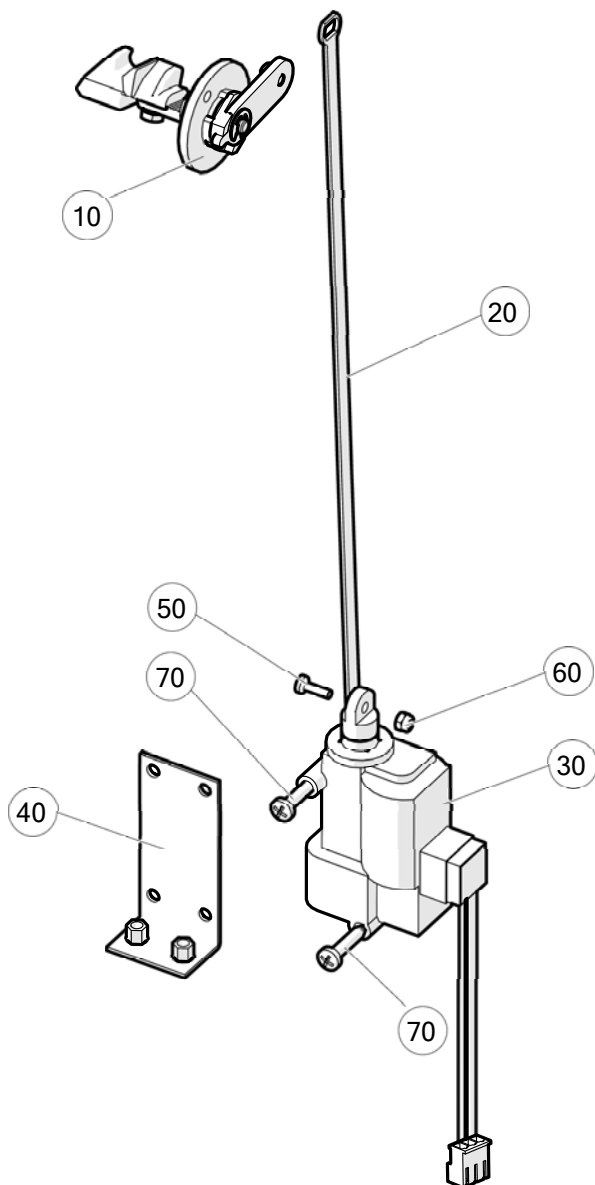
Mixbausatz Gas MM GMT Fusshöhe 150mm Serie/17 - Stacking kit gas units MM GMT foot height 150mm series/17



Mixbausatz Gas MM GMT Fusshöhe 150mm Serie/17 - Stacking kit gas units MM GMT foot height 150mm series/17

| | | | |
|-----|-----------|-------------------------------------|---|
| 10 | EL2001055 | BG FUSSVERKLEIDUNG 61011 RA GAS | KIT FOOT COVER 61011 RA GAS |
| 20 | EL0959154 | SCHACHT KPL KOMBI MIX GAS | SHAFT CPL KOMBI MIX GAS |
| 30 | EL0959243 | ABLUFTKANAL MULTIMIX GAS | AIR EXHAUST DUCT MULTIMIX GAS |
| 40 | EL0959502 | WINKELSTUECK ABLAUF MULTIMIX GAS | ANGLE PIECE DRAIN MULTIMAX GAS |
| 50 | EL0501262 | ABGASROHR MULTIMIX GAS UMMANTELT | EXHAUST PIPE MULTIMIX GAS JACKETED |
| 60 | EL0959235 | ABLUFTROHR MULTIMIX GAS | EXHAUST PIPE MULTIMIX GAS |
| 70 | EL0887811 | VERSTELLFUSS RUND 200 MM NYL BK M10 | BASE ADJUSTABLE ROUND 200 MM NYL BK M10 |
| 80 | EL0307025 | DICHTELEMENT DN 50 SILIKON | SEALING ELEMENT DN 50 SILICONE |
| 90 | EL0525316 | BECHERSCHRAUBE M4X8 V2A | CUP SCREW M4X8 V2A |
| 100 | EL2003751 | ZWISCHENRAHMEN MONT. GAS 17 | INTERMEDIATE FRAME GAS 17 |
| 110 | EL2003020 | VERSTEIFUNG KPL. MIX MM | REINFORCEMENT COMPL. MIX MM |
| 120 | EL2002796 | ROHRHALTER | TUBE HOLDER |
| 130 | EL2003364 | WANDBEFESTIGUNGSSET 50 BIS 80 MM | WALL FIXING SET 50 TO 80 MM |
| 140 | EL0010685 | LINSENSCHRAUBE DIN 7985 M5X16 V2A | LENS HEAD SCREW DIN 7985 M5X16 V2A |
| 150 | EL2004799 | TRAVERSE MOTORSEITE | CROSS BEAM MOTOR SIDE |
| 160 | EL2004800 | TRAVERSE TUERLAGERSEITE | TRAVERSE DOOR BEARING SIDE |
| 170 | EL2004915 | VERSTELLFUSS RUND 150 MM NYL BK M10 | BASE ADJUSTABLE ROUND 150 MM NYL BK M10 |

Elektrotürverschluss MM GMT Serie/17 - Electric Door Opening Mechanism MM GMT series / 17



Elektrotürverschluss MM GMT Serie/17 - Electric Door Opening Mechanism MM GMT series / 17

| | | | |
|----|-----------|---------------------------------------|---|
| 10 | EL2000018 | KLOBENANTRIEB MONT 61011 RA | CLAMP DRIVE MOUNT 61011 RA |
| | EL2000045 | KLOBENANTRIEB MONT 61011 LA | CLAMP DRIVE MOUNT 61011 LA |
| 20 | EL2000020 | ZUGSTANGE 6-11 | CONNECTING ROD 6-11 |
| | EL2004655 | ZUGSTANGE 6-11 VERSCHLUSS SENKRECHT | CONNECTING ROD 6-11 VERTICAL DOOR LOCK |
| | EL2000048 | ZUGSTANGE 1011 | CONNECTING ROD 1011 |
| | EL2004656 | ZUGSTANGE 1011 VERSCHLUSS SENKRECHT | CONNECTING ROD 1011 VERTICAL DOOR LOCK |
| 30 | EL2000019 | STELLMOTOR DREHKLOBEN | MOTOR FOR CLAMP DRIVE |
| 40 | EL2000021 | MONTAGEBLECH KPL.61011 | MOUNTING PLATE CPL.61011 |
| 50 | EL0014028 | LINSENSCHRAUBE DIN 7985 M3X10 V2A | LENS HEAD SCREW DIN 7985 M3X10 V2A |
| 60 | EL0749842 | SICHERUNGSMUTTER DIN 985 M3 V2A | LOCK NUT DIN 985 M3 V2A |
| 70 | EL0503713 | LINSENBLECHSCHR. DIN 7981 C4,2X22 V2A | FILLISTER HEAD SCREW DIN 7981 C4,2X22 V2A |

EL2004125

11/2019

Version 1.18

Release 1.18

Technische Änderungen vorbehalten.

Subject to technical changes.

Eloma GmbH | Otto-Hahn-Straße 10 | 82216 Maisach / Germany

Phone: +49 (0) 8141 395-0 | Fax: +49 (0) 8141 395-130 | info@eloma.com | www.eloma.com

an Ali Group Company



The Spirit of Excellence