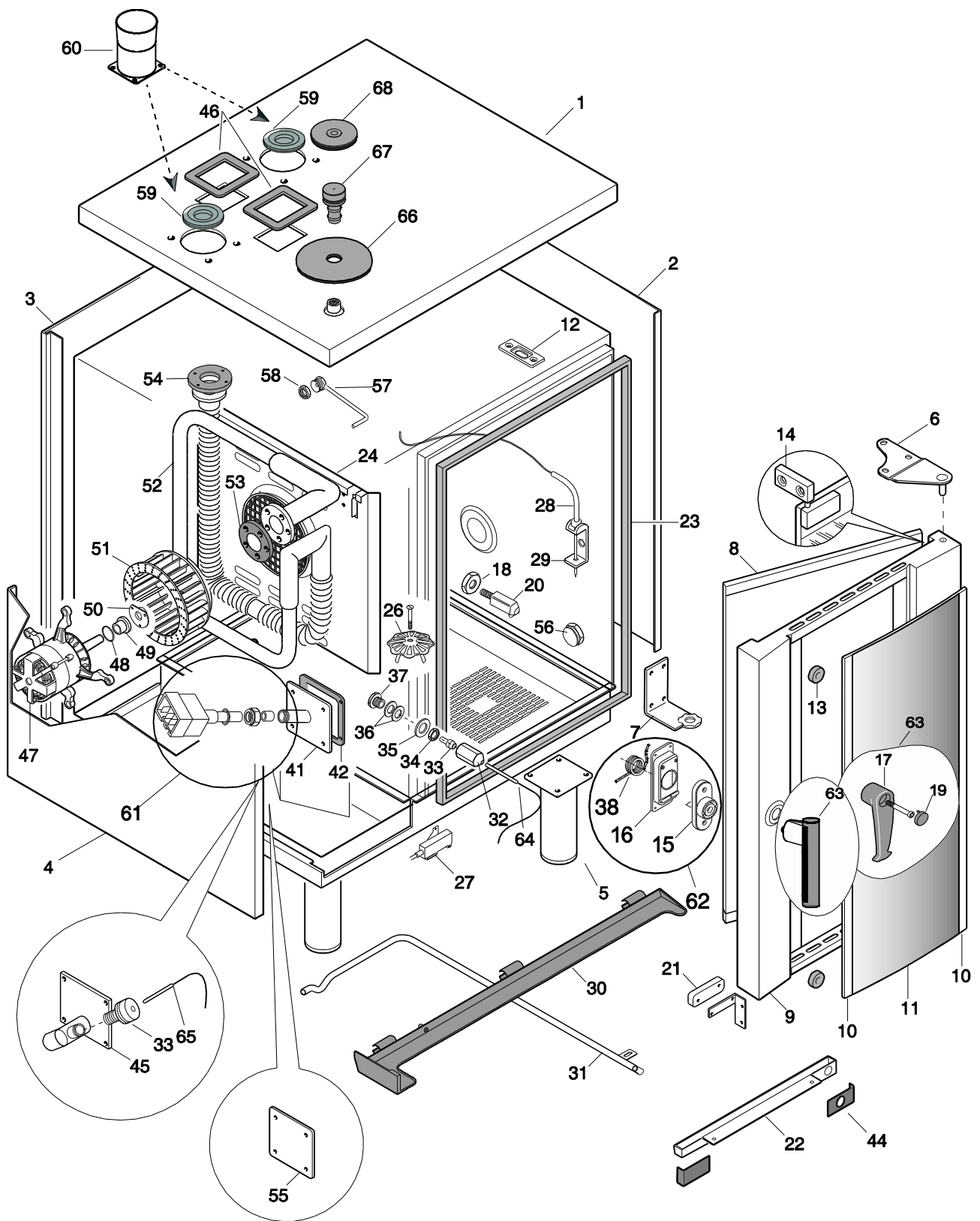


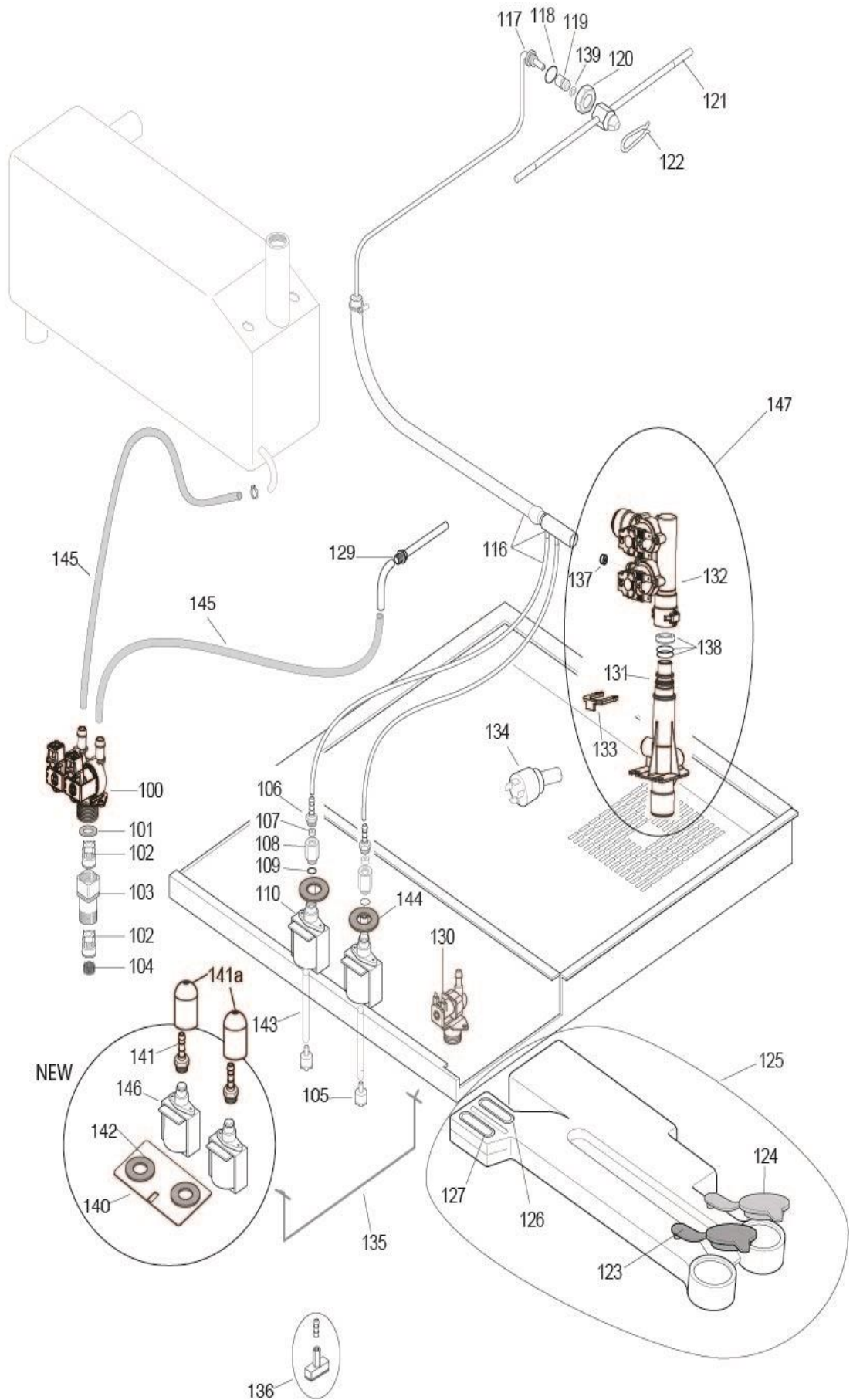
06 GN 1/1 GAS CONVECTION / STEAM OVEN
FORNO CONVEZIONE / VAPORE GAS 06 GN 1/1

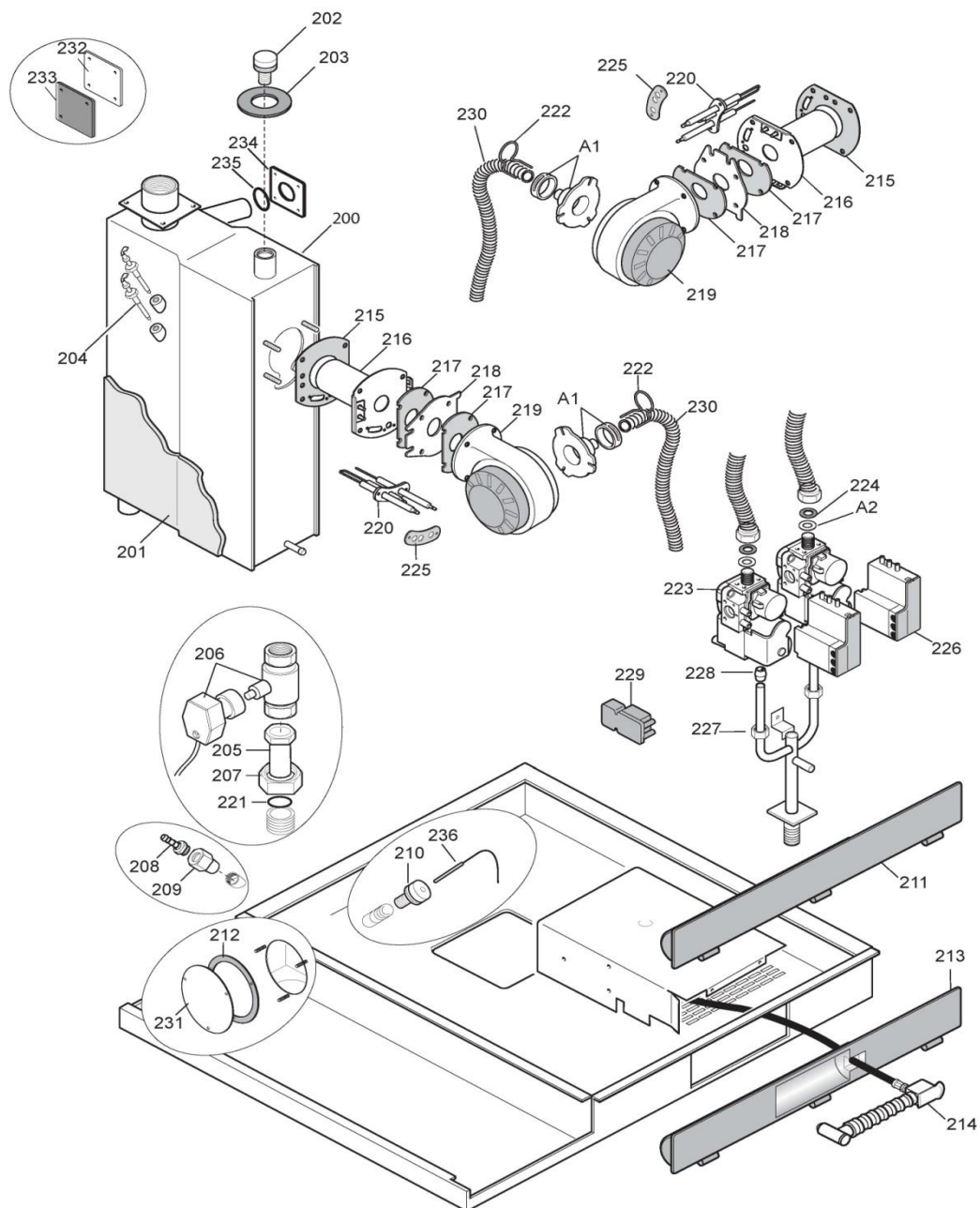
| PNC | Model | Ref | Group | Level | Page | Notes |
|--------|------------|-----|-------|---------|--------|----------------------|
| 236700 | FCZ061GKG1 | b1 | FCZ | Level K | 2...11 | 230V 50Hz STD |
| 236710 | FCZ061GKD1 | c1 | FCZ | Level K | 2...11 | 230V 50Hz LPG |
| 236800 | FCZ061GKZA | d1 | FCZ | Level K | 2...11 | 230V 50Hz AUS |
| 237700 | FCZ061GTG | a | FCZ | Touch | 2...11 | 230V 50Hz STD |
| 237710 | FCZ061GTD | b | FCZ | Touch | 2...11 | 230V 50Hz LPG |
| 237780 | FCZ061GTW | q1 | FCZ | Touch | 2...11 | 230V 50Hz UK |
| 237800 | FCZ061GTZA | e1 | FCZ | Touch | 2...11 | 230V 50Hz AUS |
| 238700 | FCZ061GBG2 | c | FCZ | Level B | 2...11 | 230V 50Hz STD |
| 238710 | FCZ061GBD2 | d | FCZ | Level B | 2...11 | 230V 50Hz LPG |
| 238720 | FCZ061GBL2 | e | FCZ | Level B | 2...11 | 100V 50/60Hz JAP LPG |
| 238800 | FCZ061GBZA | f1 | FCZ | Level B | 2...11 | 230V 50Hz AUS |
| 239700 | FCZ061GCG2 | f | FCZ | Level C | 2...11 | 230V 50Hz STD |
| 239710 | FCZ061GCD2 | g | FCZ | Level C | 2...11 | 230V 50Hz LPG |
| 239800 | FCZ061GCZA | g1 | FCZ | Level C | 2...11 | 230V 50Hz AUS |
| 239810 | FCZ061GCGS | o1 | FCZ | Level C | 2...11 | 230V 50Hz no clean |
| 266700 | AOS061GKG1 | v | AOS | Level K | 2...11 | 230V 50Hz STD |
| 266710 | AOS061GKD1 | z | AOS | Level K | 2...11 | 230V 50Hz LPG |
| 266750 | AOS061GKP1 | a1 | AOS | Level K | 2...11 | 120V 60Hz USA |
| 266760 | AOS061GKP1 | p1 | AOS | Level K | 2...11 | 120V 60Hz USA |
| 266800 | AOS061GKTA | h1 | AOS | Level K | 2...11 | 230V 50Hz AUS |
| 267700 | AOS061GTG1 | h | AOS | Touch | 2...11 | 230V 50Hz STD |
| 267710 | AOS061GTD1 | i | AOS | Touch | 2...11 | 230V 50Hz LPG |
| 267750 | AOS061GTP1 | l | AOS | Touch | 2...11 | 120V 60Hz USA |
| 267780 | AOS061GTW1 | m | AOS | Touch | 2...11 | 230V 50Hz UK |
| 267800 | AOS061GTZA | i1 | AOS | Touch | 2...11 | 230V 50Hz AUS |
| 268700 | AOS061GBG2 | n | AOS | Level B | 2...11 | 230V 50Hz STD |
| 268710 | AOS061GBD2 | o | AOS | Level B | 2...11 | 230V 50Hz LPG |
| 268780 | Aos061GBW2 | p | AOS | Level B | 2...11 | 230V 50Hz UK |
| 268800 | AOS061GBZA | l1 | AOS | Level B | 2...11 | 230V 50Hz AUS |
| 269700 | AOS061GCG2 | q | AOS | Level C | 2...11 | 230V 50Hz STD |
| 269710 | AOS061GCD2 | r | AOS | Level C | 2...11 | 230V 50Hz LPG |
| 269750 | AOS061GCP1 | u | AOS | Level C | 2...11 | 120V 60Hz USA |
| 269780 | AOS061GCW2 | t | AOS | Level C | 2...11 | 230V 50Hz UK |
| 269790 | AOS061GCY2 | s | AOS | Level C | 2...11 | 230V 50Hz Bakery |
| 269800 | AOS061GCZA | m1 | AOS | Level C | 2...11 | 230V 50Hz AUS |
| 269810 | AOS061GCGS | n1 | AOS | Level C | 2...11 | 230V 50Hz no clean |

| Pag | Index | Indice | Note |
|--------|------------------------|----------------------|------|
| 2 | Oven cabinet and door. | Cella forno e porta | |
| 3 | Water system | Impianto idraulico | |
| 4 | Boiler | Boiler | |
| 5 | Electrical components | Componenti elettrici | |
| 6 | Accessories | Accessori | |
| 7...11 | Spare parts list | Lista ricambi | |

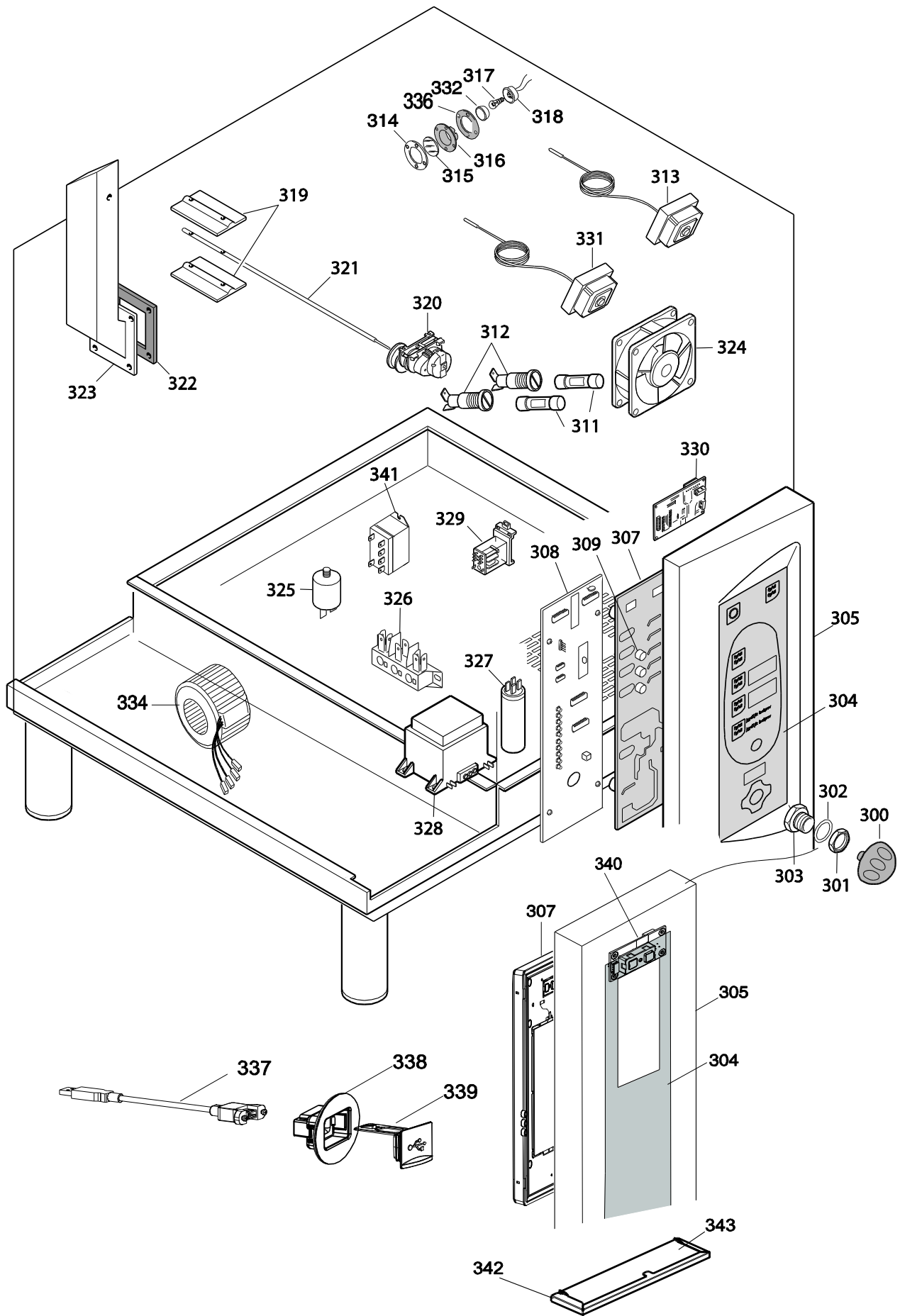
Brand/Marchio: All
Factory code: 9PDD

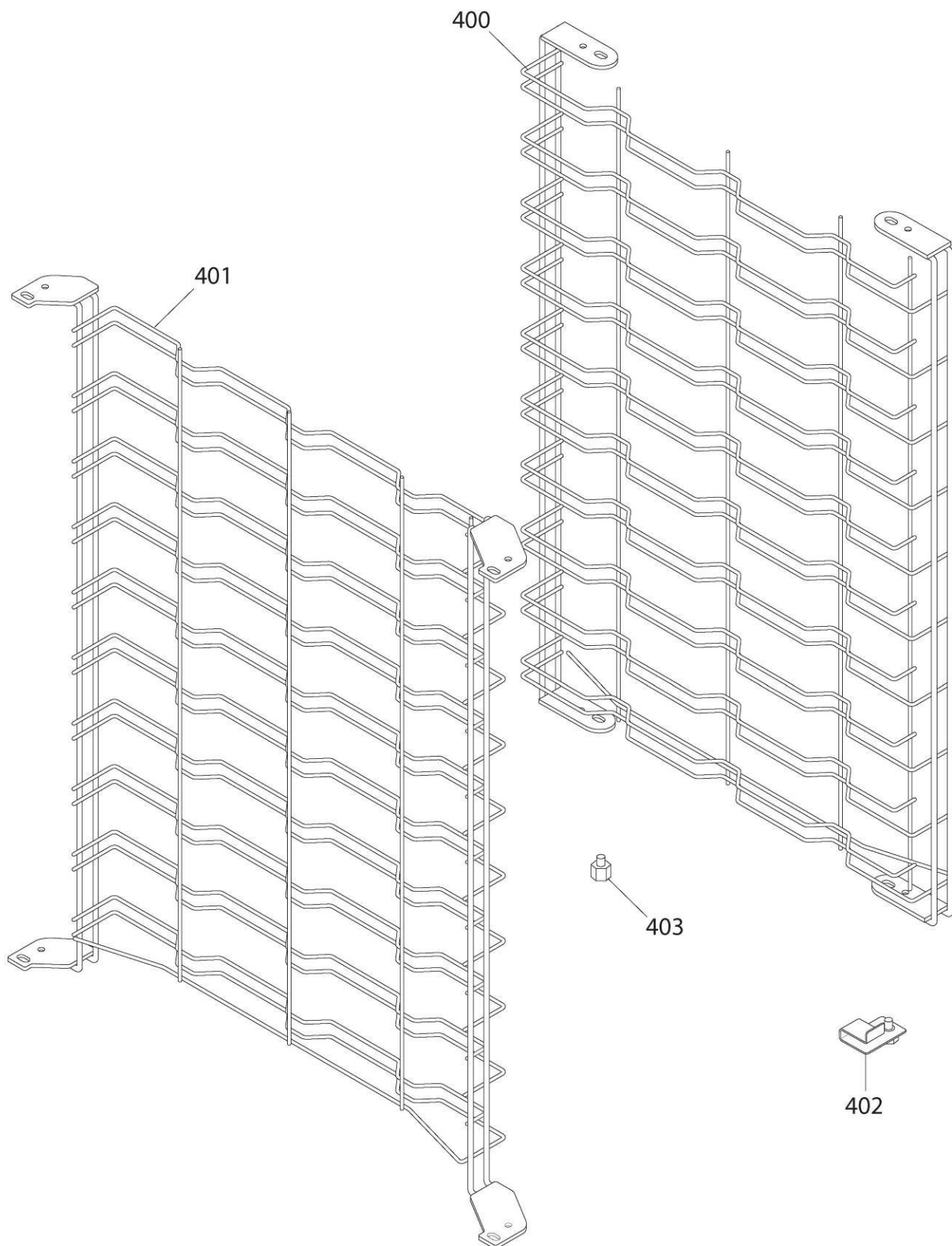






| GAS | AERATORE/AERATOR | | DIAFRAMMA/DIAPHRAGM | |
|-----|-------------------------|-------------------------|-------------------------|-------------------|
| | POS. A1 CELLA/CAVITY | POS. A1 BOILER | POS. A2 CELLA/CAVITY | POS. A2 BOILER |
| G20 | 0C4630 (FUCSIA/FUCHSIA) | 0C4630 (FUCSIA/FUCHSIA) | 0C2445 (ø 6) | 0C2445 (ø 6) |
| G25 | 0C4630 (FUCSIA/FUCHSIA) | 0C4630 (FUCSIA/FUCHSIA) | 0C5235 (ø 6,75) | 0C5235 (ø 6,75) |
| G30 | 0C4630 (FUCSIA/FUCHSIA) | 0C4630 (FUCSIA/FUCHSIA) | 0C4383 (ø 5.25) | 0C4384 (ø 4,75) |
| LPG | 0C4630 (FUCSIA/FUCHSIA) | 0C4630 (FUCSIA/FUCHSIA) | 0C2442 (ø 5.5) | 0C4385 (ø 5) |





| 06 GN 1/1 GAS CONVECTION / STEAMER OVEN FORNO CONVEZIONE / VAPORE GAS 06 GN 1/1 | | | | | |
|--|---------------------|------------------|-------------------------------|------------------------------|--|
| <i>Pos</i> | <i>Factory Code</i> | <i>6DGT Code</i> | <i>Descrizione</i> | <i>Description</i> | <i>Ref./Note</i> |
| | | | Pagina 2 | Page 2 | |
| 1 | 0530891500 | 0C6179 | COPERCHIO | COVER | |
| 1 | 0530891700 | 0C6181 | COPERCHIO | COVER | For Level C ,K |
| 2 | 0530890800 | 0C6173 | FIANCO DX | RIGHT SIDE PANEL | |
| 3 | 0530892600 | 0C6189 | SCHIENALE | BACK PANEL | |
| 4 | 0530893200 | 0C6195 | FIANCO SX | LEFT SIDE PANEL | |
| 5 | 0831850900 | 0C4892 | PIEDINO | FOOT | From 2008/01 up to 2012/18 Up to 2007/52 from 2012/19 |
| 5 | 0831842202 | 0C4233 | PIEDINO | FOOT | |
| 6 | 0806847803 | 0C4234 | CERNIERA SUPERIORE | UPPER HINGE | |
| 7 | 0806861600 | 0C4235 | CERNIERA INFERIORE | LOWER HINGE | |
| 8 | 0873869802 | 0C6395 | VETRO INTERNO | INNER GLASS | |
| 9 | 0878863808 | 0C4962 | PORTA COMPLETA (NO VETRO EST) | COMPLETE DOOR (NO EXT GLASS) | |
| - | 0518806205 | 0C6051 | MOLLA FERMAVETRO INTERNO | SPRING FOR INTERNAL GLASS | |
| 10 | 0806859202 | 0C4478 | PROFILO DX-SX | RIGHT AND LEFT TRIM | |
| 11 | 0574817203 | 0C6558 | VETRO ESTERNO | EXTERNAL GLASS | for Group AOS |
| 11 | 0574818301 | 0C4942 | VETRO ESTERNO | EXTERNAL GLASS | for Group FCZ |
| 12 | 0543839700 | 0C4088 | GUARNIZIONE FLANGIA SPILLONE | GASKET | |
| 13 | 0543828001 | 006976 | AMMORTIZZATORE | DAMPER | |
| 14 | 0806822000 | 007007 | CERNIERA VETRO INTERNO | HINGE, INNER GLASS | |
| 15 | 0835871801 | 0C4089 | GR.CHIUSURA A SCATTO 'HRS' | CLOSING MECHANISM | |
| 16 | 0510824200 | 0C4237 | SUPPORTO GR.CHIUSURA | SUPPORTO | |
| 17 | 0548871501 | 0C4090 | MANIGLIA CHIUSURA A SCATTO | DOOR HANDLE | |
| 18 | 0516896401 | 0C4238 | DADO FISSAGGIO | NUT FOR DOOR CATCHER | |
| 19 | 0546822600 | 0C4091 | TAPPO PER MANIGLIA 'HRS' | DOOR COVER HANDLE | |
| 20 | 0806859900 | 0C4092 | NASELLO SINGOLO SCATTO | DOOR CATCHER | |
| 21 | 0699603700 | 049627 | MAGNETE | MAGNET | |
| 22 | 0543841300 | 0C4094 | VASCETTA RACC.CONDENSE | DOOR DRAIN TRAY | |
| 23 | 0543833900 | 0C1496 | GUARNIZIONE CELLA-PORTA | GASKET | |
| - | 0147098067 | 003926 | SIGILLANTE (RED) | RED SEALANT | |
| 24 | 0831846804 | 0C4502 | PARETE DI ASPIRAZIONE | SUCTION WALL | |
| 26 | 0518808600 | 0C1740 | FILTRO FONDO | FILTER | |
| 27 | 0654600000 | 049621 | INTERRUTTORE MAGNETICO | MAGNETIC SWITCH | |
| 28 | 0831831001 | 0C4240 | SPILLONE CURVO MULTIPOINT | MEAT PROBE MULTI POINT | for Level Touch, p1 |
| 28 | 0831830700 | 0C4241 | SPILL. CURVO SINGOLO PUNTO | MEAT PROBE SINGLE POINT | for Level B e C,K |
| 29 | 0518816600 | 0C4822 | SUPPORTO SPILLONE | MEAT PROBE SUPPORT | |
| 30 | 0856814000 | 0C4242 | BACINELLA SNODABILE | DRAIN TRAY | |
| 31 | 0806858800 | 0C4243 | TUBO PER CONDENSE 1/1 | DRAIN TUBE | |
| 32 | 0516855300 | 006991 | DADO SONDA CELLA | NUT, CAVITY PROBE | |
| 33 | 0516809301 | 002701 | TENUTA SONDA | PROBE GASKET | for Level Touch e B |
| 34 | 0214105101 | 020997 | CONTRODADO PORTAUGELLO | LOCK NUT | |
| 35 | 0508838701 | 002700 | RONDELLA SONDA CELLA | WASHER | |
| 36 | 0543816300 | 002624 | GUARN. PER TENUTA SONDA | GASKET | |
| 37 | 0516809400 | 002623 | RACCORDO SONDA CELLA | CONNECTION, CAVITY PROBE | |
| 38 | 0518818000 | 0C8561 | MOLLA PER CHIUSURA | SPRING | |
| 41 | 0806857201 | 0C4244 | COND. SONDA LAMBDA | FLANGE TUBE | for level Touch |
| 42 | 0543838300 | 0C4093 | GUARNIZIONE BYPASS/LAMBDA | GASKET | |
| 44 | 0543841300 | 0C4094 | GUARN. VASC. CONDENSE | GASKET | |
| 45 | 0806873000 | 0C6351 | CONDOTTO FLANGIATO BY-PASS | DUCT, BYPASS PROBE | for Level B |
| 46 | 0543828901 | 007005 | GUARN. CONDOTTO ARIA-COP. | GASKET, DUCT | |
| 47 | 0611809000 | 0C5287 | MOTORE | MOTOR | for Level C,K |
| 47 | 0611806001 | 006998 | MOTORE | MOTOR | for Level Touch, B |
| 47 | 0611806901 | 0C1882 | MOTORE | MOTOR | for 100V, 120V models |
| 48 | 0543816700 | 002873 | O RING | O RING | |
| 49 | 0516808902 | 002699 | CUSCINETTO | BEARING | |
| 50 | 0538815400 | 0C4138 | FLANGIA FISS.TENUTA MOTORE | FLANGE | |
| 51 | 0835400C00 | 0C7029 | VENTOLA | FAN | |

| 06 GN 1/1 GAS CONVECTION / STEAMER OVEN FORNO CONVEZIONE / VAPORE GAS 06 GN 1/1 | | | | | |
|--|---------------------|------------------|-------------------------------|-------------------------------|----------------------|
| <i>Pos</i> | <i>Factory Code</i> | <i>6DGT Code</i> | <i>Descrizione</i> | <i>Description</i> | <i>Ref./Note</i> |
| 52 | 0831829303 | 0C4255 | SCAMBIATORE | HEAT EXCHANGER | |
| 53 | 0543840500 | 0C4095 | GUARNIZIONE | GASKET | |
| 54 | 0543831301 | 0C1132 | GUARNIZIONE | GASKET | |
| 55 | 0527898900 | 0C4857 | PIASTRA CHIUSURA | FLANGE | for Level C,K |
| 56 | 0516892000 | 0C6296 | PERNO SPILLONE | PROBE PIN | |
| 57 | 0856828301 | 0C4974 | CONDOTTO UMIDIFICATORE | HUMIDIFIER PIPNG | for Level C ,K |
| 58 | 0516887101 | 0C6228 | DADO CONDOTTO | NUT HUMIDIFIER | for Level C,K |
| 59 | 0543844600 | 0C6200 | GUARNIZIONE CAMINO | GASKET | |
| 60 | 0856810702 | 0C4868 | ADATTATORE CAMINO | ADPTER FOR CHIMNEY | For Australia models |
| 61 | * | 0C6465 | KIT SONDA LAMBDA | LAMBDA KIT | for level TOUCH |
| 62 | 0835872002 | 0C4477 | ASSIEME CHIUSURA PORTA | COMPLETE CLOSING MECH. | Up to 6081... |
| 62 | 0835402M00 | * | ASSIEME CHIUSURA PORTA | COMPLETE CLOSING MECH. | From 6091... |
| 63 | 0830400600 | 0C6572 | MANIGLIA COMPLETA | COMPLETE DOOR HANDLE | for FCZ Group |
| 63 | 0830400500 | 0C6569 | MANIGLIA COMPLETA | COMPLETE DOOR HANDLE | for AOS Group |
| 64 | 0830898902 | 0C6538 | SENSORE TEMPERATURA | TEMP. PROBE | |
| 65 | 0830899101 | 0C6539 | SENSORE TEMPERATURA | TEMP. PROBE | |
| 66 | 0543400900 | 0C7016 | GUARNIZIONE PER TUBO | PIPE GASKET | |
| 67 | 0543816601 | 002692 | TAPPO CARICO DISINCROST. | RECHARGE CAP FOR SCALER | |
| 68 | 0543843201 | 0C4965 | GOMMINO CHIUSURA ING.DISIN | GASKET | |
| | | | Pagina 3 | Page 3 | |
| 100 | 0696808300 | 0C5516 | ELETTROVALVOLA | WATER VALVE | for Level Touch,B |
| - | 0544819400 | 0C5829 | TUBO EPDM BLU | BLU PIPE EPDM | |
| - | 0835872300 | 0C5385 | FASCETTA NORMACLAMP | NORMACLAMP | |
| 101 | 0543840600 | 0C4096 | GUARNIZIONE FILTRO | GASKET | |
| 102 | 0549801800 | 0C2312 | VALVOLA NON RITORNO | NOT RE-FLOW VALVE | |
| 103 | 0516879400 | 0C2313 | RACCORDO ENTRATA ACQUA | PIPE FITTING | for Level Touch,B |
| 105 | 0831811400 | 0C1155 | ASSIEME FILTRO | FILTER | |
| 106 | 0516896101 | 0C4198 | RACCORDO PORTAGOMMA | PIPE FITTING | |
| 107 | 0544809000 | 0C1117 | VALVOLA NON RITORNO | NOT RE-FLOW VALVE | |
| 108 | 0516871900 | 0C1116 | RACCORDO PER POMPA | CONNECTION, PUPM | |
| 109 | 0543832300 | 0C1935 | O-RING | O-RING | |
| 110 | 0680801201 | 0C2341 | POMPA | PUMP | |
| 110 | 0680801301 | 0C2342 | POMPA | PUMP | for 60Hz models |
| 116 | 0805400200 | 0C6202 | ASS. COLLETTORE LAVAGGIO | CONNECTION | |
| 117 | 0806871100 | 0C6031 | ASS. SUPP. GETTO LAVAGGIO | SUPPORT | |
| 118 | 0543841400 | 0C4201 | GUARNIZIONE IN RAME | GASKET | |
| 119 | 0516898301 | 0C4467 | CUSCINETTO GETTO ROTANTE | BEARING | |
| 120 | 0516896000 | 0C4202 | DADO | NUT | |
| 121 | 0806873900 | 0C5503 | GETTO ROTANTE | ROTATING WASHING JET | |
| 122 | 0518807100 | 007026 | MOLLA | SPRING | |
| 123 | 0544808100 | 0C1151 | TAPPO PER SERBATOIO BLU | BLUE CUP | |
| 124 | 0544808200 | 0C1152 | TAPPO PER SERBATOIO ROSSO | RED CUP | |
| 125 | 0873857102 | 0C4426 | SERBATOIO DETERGENTE-BRIL | TANK | |
| 126 | 0544808900 | 0C1154 | PARATIA PER SERBATOIO ROSSO | RED BULKHEAD | |
| 127 | 0544808400 | 0C1153 | PARATIA PER SERBATOIO BLU | BLUE BULKHEAD | |
| 129 | 0H22982600 | 007012 | TUBO UMIDIFICATORE | HUMIDIFIER PIPE | for Level Touch, B |
| 129 | 0856828600 | 0C4977 | TUBO UMIDIFICATORE | HUMIDIFIER PIPE | for Level C,K |
| 130 | 0696808800 | 0C6170 | ELETTROVALVOLA | WATER VALVE | for Level B |
| 130 | 0696808200 | 0C5515 | ELETTROVALVOLA | WATER VALVE | for Level C,K |
| 131 | 0831857200 | 0C6370 | ASS. COLLETTORE LAVAGGIO | CONNECTION,C.S. | |
| 132 | 0696808600 | 0C6374 | GRUPPO VALVOLE CLEANING | VALVE GROUP C.S. | For level Touch,B |
| 132 | 0696400100 | 0C6373 | GRUPPO VALVOLE CLEANING | VALVE GROUP C.S. | for Level Touch USA |
| 132 | 0696400300 | 0C6406 | GRUPPO VALVOLE CLEANING | VALVE GROUP C.S. | for Level C,K |
| 132 | 0696400500 | 0C6408 | GRUPPO VALVOLE CLEANING | VALVE GROUP C.S. | for Level C ,K USA |
| 133 | 0546825100 | 0C6222 | FORCELLA SICUREZZA | CLIP | |
| 134 | 0646817200 | 0C6217 | PRESSOSTATO ATTACCO RAPIDO | CONNECTION FOR WASH ARM | |
| 135 | 0513805000 | 0C5426 | STAFFA SUPPORTO SERBATOIO | SUPPORT PLATE | |
| 136 | - | 0C6467 | KIT GANCIO SERBATOIO | KIT TANK HOOK | |
| 137 | - | 0C6375 | KIT PARZIALIZZATORI DI FLUSSO | FLOW REDUCER KIT | |

| 06 GN 1/1 GAS CONVECTION / STEAMER OVEN | | | | | |
|--|---------------------|------------------|-------------------------------|------------------------|---|
| FORNO CONVEZIONE / VAPORE GAS 06 GN 1/1 | | | | | |
| Pos | Factory Code | 6DGT Code | Descrizione | Description | Ref./Note |
| 138 | - | 061303 | KIT O-RING +BUSSOLA | O-RING +BUSH KIT | |
| 139 | 0219035015 | 0C6421 | ANELLO ELASTICO | ELASTIC RING | |
| 140 | 0505401R00 | 0C7924 | PIASTRINA FISSAGGIO POMPE | FIXING PLAQUE | |
| 141 | 0544400C01 | 0C8348 | VITE TTL | TTL SCREW | Up to 5151... |
| 141 | 0544400C02 | 0CA348 | VITE TTL | TTL SCREW | From 5161... |
| 141a | 0546400J00 | 0C9538 | CAPPUCCIO DI PROTEZIONE | PROTECTION CAP | |
| 142 | 0543400R00 | 0C7925 | PASSACAVO | WIRING BUSH | |
| 143 | 0546814600 | 0C2309 | TUBO EXT | EXT. PIPE | |
| 144 | 0246530100 | 005382 | GOMMINO | GASKET | |
| 145 | 0544819400 | 0C5829 | TUBO EPDM BLU | EPDM PIPE | |
| 146 | 0686400100 | 0C8347 | POMPA DEFOND PHOENIX | PHOENIX DEFOND PUMP | Up to 4441... |
| 146 | 0686400201 | 0CA112 | POMPA CEME | CEME PUMP | From 4451... |
| 147 | 0835400L00 | 0C8683 | GRUPPO ENTRATA ACQUA | GROUP WATER INLET | |
| 147 | 0835400M00 | 0C8684 | GRUPPO ENTRATA ACQUA | GROUP WATER INLET | For level C,K |
| - | 0831854100 | 0C5562 | TUBO ACQUA WRAS | WATER INLET PIPE WRAS | |
| - | 0835870400 | 0C3464 | RIDUTTORE DI PRESSIONE | WATER PRESSURE REDUCER | |
| | | | Pagina 4 | Page 4 | |
| 200 | 0878401A00 | 0C9666 | KIT ASSIEME BOILER | BOILER ASS.Y KIT | for Level Touch, B |
| 200 | 0878401700 | - | KIT ASSIEME BOILER | BOILER ASS.Y KIT | q1 |
| 201 | 0560852803 | 0C4097 | KIT ISOLAMENTO | KIT ISOLATION | for Level Touch, B |
| 202 | 0543816601 | 002692 | TAPPO | STOPPER | for Level Touch, B |
| 203 | 0543817500 | 002634 | GUARNIZIONE | GASKET | for Level Touch, B |
| 204 | 0830890500 | 007033 | SONDA DI LIVELLO | LEVEL PROBE | for Level Touch, B |
| 205 | 0516868600 | 0C1063 | RACCORDO | CONNECTION | for Level Touch, B |
| 206 | 0696804201 | 0C0882 | VALVOLA DI SCARICO 230V | DRAIN VALVE 230V | for Level Touch, B |
| 206 | 0696808500 | 0C5518 | VALVOLA DI SCARICO 240V | DRAIN VALVE 240V | for Level Touch, B 60Hz |
| 207 | 0516868500 | 0C1062 | MANICOTTO 1"-3/4" | CONNECTION 1"-3/4" | for Level Touch, B |
| 208 | 0510828000 | 0C5564 | RESCA D10 FILETT 1/4' GAS | PIPE CONNECTION | |
| 209 | 0516879600 | 0C4099 | UGELLO 'ELPIS'1/4'FD3.5-3/8'M | NOZZLE | for Level Touch, B |
| 210 | 0543842600 | 0C4872 | TAPPO PER SENSORE | STOPPER FOR SENSOR | for Level Touch, B |
| 211 | 0546821401 | - | PANNELLO FRONTALE INFERIORE | PANEL | Level B,C,K |
| 212 | 0543400000 | 0C7033 | GUARNIZIONE PORTELLO | GASKET | for level TOUCH |
| 213 | 0546815103 | 0C4532 | PANNELLO FRONTALE INFERIORE | PANEL | for Level Touch |
| 214 | 0873881200 | 0C4248 | DOCCETTA | SHOWER | for Level Touch |
| 214 | 0875402G00 | 0CA407 | DOCCETTA | SHOWER | up to 5201... for q1 and m from 5211... |
| 215 | 0543838200 | 0C4101 | GUARNIZIONE BRUCIATORE LWZ | GASKET | |
| 216 | 0831827502 | 0C4289 | BRUCIATORE | BURNER | |
| 217 | 0543838100 | 0C4102 | GUARNIZIONE PER VENTILATORE | FAN GASKET | |
| 218 | 0538818602 | 0C4258 | FLANGIA VENTILATORE | FAN FLANGE | |
| 219 | 0611808300 | 0C4103 | VENTILATORE | FAN | |
| 220 | 0831846400 | 0C4461 | CANDELINA DI ACC. E RIL. | IGNITION ROD | for Level Touch, B |
| 220 | 0831846502 | 0C4462 | CANDELINA DI ACC. E RIL. | IGNITION ROD | for Level C,K |
| 221 | 0543816800 | 002874 | ANELLO DI TENUTA OR | O-RING | for Level Touch, B |
| 222 | 0518807600 | 0C1044 | MOLLA | SPRING | for Level Touch, B |
| 223 | 0835859601 | 0C1057 | VALVOLA GAS | GAS VALVE | |
| 223 | 0835867200 | 0C1879 | VALVOLA GAS | GAS VALVE | for USA Version |
| 224 | 0543840600 | 0C4096 | GUARNIZIONE | GASKET | |
| 225 | 0543841100 | 0CA104 | GUARNIZIONE CANDELINA | ROD GASKET | |
| 226 | 0624810800 | 0C4260 | CENTRALINA | IGNITION BOARD | |
| 227 | 0516847000 | 0C1058 | DADO | NUT | |
| 228 | 0515801715 | 052671 | BICONO X TUBO DA 16 | SEAL | |
| 229 | 0624810600 | 0C4105 | ACCENDITORE BRAHMA | IGNITION BOARD | |
| 230 | 0517877101 | 0C1054 | CONDUTTURA L= 398MM | PIPE L= 398MM | for Level Touch, B |
| 230 | 0517877001 | 0C1084 | CONDUTTURA L= 330MM | PIPE L= 330MM | for Level Touch, B |
| 231 | 0J89061403 | 0C3443 | PORTELLO ISPEZIONE | INSPECTION COVER | for Level Touch |
| 232 | 0527898700 | 0C4856 | FLANGIA CHIUS. FORO BOILER | FLANGE | For Level C,K |
| 233 | 0543842800 | 0C4963 | GUARN. CHIUSURA FORO BOILER | GASKET | For Level C,K |

06 GN 1/1 GAS CONVECTION / STEAMER OVEN
FORNO CONVEZIONE / VAPORE GAS 06 GN 1/1

| <i>Pos</i> | <i>Factory Code</i> | <i>6DGT Code</i> | <i>Descrizione</i> | <i>Description</i> | <i>Ref./Note</i> |
|------------|---------------------|------------------|--|---------------------------------------|--|
| 234 | 0527878700 | 0C6449 | FLANGIA CHIUS.FORO BOILER | FLANGE | for Level Touch, B |
| 235 | 0543839200 | 0C6450 | GUARN.CHIUS.FORO BOILER | GASKET | For Level Touch.B |
| 236 | 0830899101 | 0C6539 | SONDA BYPASS 1100 BIANCO | BYPASS PROBE 1100mm WHITE | for Level TOUCH, B |
| | | | Pagina 5 | Page 5 | |
| 300 | 0806874001 | 0C5600 | MANOPOLA | HANDLE | |
| 301 | 0214114900 | 051263 | CONTRODADO | LOCK NUT | |
| 302 | 0508836400 | 002727 | RONDELLA | DISK | |
| 303 | 0516807301 | 002662 | BOCCOLA | BUSH | |
| 304 | 0548400400 | 0C6548 | MEMBRANA TOUCH AOS MODELS | LAYER TOUCH AOS MODELS | for TOUCH AOS Group |
| 304 | 0548400B00 | 0C6551 | MEMBRANA TOUCH FCZ MODELS | LAYER TOUCH FCZ MODELS | for TOUCH FCZ Group |
| 304 | 0548400D00 | 0C6552 | MEMBRANA LIV.B AOS MODELS | LAYER LEV. B AOS MODELS | for Level B AOS Group |
| 304 | 0675855001 | 0C4948 | MEMBRANA LIV.B FCZ MODELS | LAYER LEV. B FCZ MODELS | for Level B FCZ Group |
| 304 | 0548400H00 | 0C6555 | MEMBRANA LIV.C AOS MODELS | LAYER LEV. C AOS MODELS | for Level C AOS Group |
| 304 | 0675855102 | 0C4949 | MEMBRANA LIV.C FCZ MODELS | LAYER LEV. C FCZ MODELS | for Level C FCZ Group |
| 304 | 0548401800 | 0C8083 | MEMBRANA LV.C BAKERY MOD | LAYER LEV.C BAKERY MODELS | for Level Bakery |
| 304 | 0548401F00 | 0C8705 | MEMBRANA LIV. TOUCH "K" | LAYER TOUCH "K" AOS MODELS | For Level Touch "K" AOS Group |
| 305 | 0873879301 | 0C6580 | CRUSCOTTO LIV.TOUCH + MEMBRANA | CONT.PANEL LEV. TOUCH + LAYER | for Level TOUCH AOS |
| 305 | 0873895302 | 0C4898 | CRUSCOTTO LIV. TOUCH (NO MEMBR.) | CONT.PANEL LEV. A (NO LAYER) | for Level A FCZ Ver. |
| 305 | 0873880100 | 0C4250 | CRUSCOTTO LIV. B (NO MEMBR.) | CONT.PANEL LEV. B (NO LAYER) | for Level B AOS Ver. |
| 305 | 0873895402 | 0C4899 | CRUSCOTTO LIV. B (NO MEMBR.) | CONT.PANEL LEV. B (NO LAYER) | for Level B FCZ Ver. |
| 305 | 0873894000 | 0C4893 | CRUSCOTTO LIV. C (NO MEMBR.) | CONT.PANEL LEV. C (NO LAYER) | for Level C AOS Ver. |
| 305 | 0873895502 | 0C4900 | CRUSCOTTO LIV. C (NO MEMBR.) | CONT.PANEL LEV. C (NO LAYER) | for Level C FCZ Ver. |
| - | 0873879303 | 0C4249 | FILTRO ARIA CRUSCOTTO | AIR FILTER CONTROL PANEL | |
| 305 | 0875401W00 | 0C8713 | CRUSCOTTO LIV.TOUCH "K" CON MEMBRANA | CONTROL PANEL TOUCH "K" WITH LAYER | For Level Touch "K" AOS Group |
| 307 | 675400A00 | 0C6571 | SCHEDA USER INTERFACE LIV.TOUCH | USER INTERF. BOARD, LEV. TOUCH | for Level TOUCH,K up to 2441... |
| 307 | 675400P01 | 0C8805 | SCHEDA USER INTERFACE LIV.TOUCH | USER INTERF. BOARD, LEV. TOUCH | for Level TOUCH,K from 2451... up to 4481... |
| 307 | 675400P03 | 0CA070 | SCHEDA USER INTERFACE LIV.TOUCH | USER INTERF. BOARD, LEV. TOUCH | for Level TOUCH,K from 4491... |
| 307 | 0675838802 | 0C0041 | SCHEDA USER INTERFACE LIV. B | USER INTERF. BOARD, LEV. B | for Level B |
| 307 | 0675854600 | 0C4891 | SCHEDA USER INTERFACE LIV. C | USER INTERF. BOARD, LEV. C | for Level C |
| 307 | 0675854602 | 0C7350 | SCHEDA USER INT.LIV.C (1/2 VEL) | USER INT.BOARD LEV.C (1/2 SPEED) | For Level C (start s/n 120...) |
| 308 | 0675400809 | 0C6570 | SCHEDA POWER | MAIN POWER | for Level TOUCH,K |
| 308 | 0675837808 | 0C0042 | SCHEDA POWER | MAIN POWER | for Level B,C |
| - | 0546814001 | 0C3750 | DISTANZIALE ARCHETTO NYLON PER SCHEDA POWER | SPACER NYLON FOR POWER BOARD | |
| 309 | 0546824600 | 0C5833 | PROLUNGA PULSANTE | PROLONG | |
| - | 0633847400 | 0C6564 | CABLAGGIO USER - POWER | MAIN - USER CABLE | for TOUCH level,K |
| - | 0638400P00 | 0C6565 | CAVO ALIMENTAZIONE USER | SUPPLY CABLE USER | for TOUCH level,K |
| 311 | 0652804500 | 0C1884 | FUSIBILE OMEGA T 2.5A | FUSE OMEGA T 2.5A | for 120V models |
| 311 | 0652803300 | 0C1480 | FUSIBILE RAPIDO 6.30 A | FUSE FAST 6.3 A | for 120V models |
| 311 | 0652803200 | 0C2953 | FUSIBILE 5X20 2,5A T | FUSEOMEGA 5X20 2,5A T | for 100V,120V models |
| 311 | 0652805200 | 0C2236 | FUSIBILE 5X20 1,6A F | FUSEOMEGA 5X20 1,6A F | for 100V models |
| 311 | 0652800701 | 058869 | FUSIBILE 5X20 1,6A F | FUSEOMEGA 5X20 1,6A F | for 100V models |
| 312 | 0652802100 | 0F0031 | PORTAFUSIBILE | FUSE HOLDER | |
| 313 | 0646812200 | 007042 | LIMITATORE, CELLA | LIMITER, CAVITY | |
| 313 | 0646810802 | 006314 | LIMITATORE, CELLA | LIMITER, CAVITY | for 120V models |
| 314 | 0508840801 | 002628 | FLANGIA | FLANGE | |
| 315 | 0574804900 | 002627 | VETRO | GLASS | |
| 316 | 0543842000 | 002626 | GUARNIZIONE | GASKET | |
| 317 | 0660808300 | 0C4396 | LAMPADA ALOGENA | HALOGEN LAMP | Up to 4361... |

| 06 GN 1/1 GAS CONVECTION / STEAMER OVEN FORNO CONVEZIONE / VAPORE GAS 06 GN 1/1 | | | | | |
|--|---------------------|------------------|--------------------------------|---------------------------|--|
| Pos | Factory Code | 6DGT Code | Descrizione | Description | Ref./Note |
| 317 | 0660400100 | 0C9877 | LAMPADA ALOGENA | HALOGEN LAMP | From 4371... |
| 318 | 0660806401 | 007055 | PORTALAMPADA | LAMP HOLDER | |
| 319 | 0508896801 | 007081 | FARFALLA | CLOSER | |
| 320 | 0680802300 | 0C5501 | MOTORIDUTTORE | MOTOREDUCER | |
| 320 | 0680802400 | 0C5502 | MOTORIDUTTORE | MOTOREDUCER | for 120V models |
| 321 | | | | | |
| 322 | 0543828600 | 007053 | GUARNIZIONE | GASKET | |
| 323 | 0831828400 | 0C4252 | CONDOTTO ARIA | DUCT, AIR | |
| 324 | 0624811000 | 0C4106 | VENTILATORE | FAN | |
| 325 | 0694805900 | 0C4950 | FILTRO ANTIDISTURBO | FILTER | |
| 326 | 0639804900 | 046357 | MORSETTIERA | TERMINAL BOARD | |
| 327 | 0694604400 | 047541 | CONDENSATORE 12.5 Mf | CAPACITOR 12.5 MF | for Level Touch, B not for USA models |
| 327 | 0694604400 | 047541 | CONDENSATORE 60 Mf | CAPACITOR 60 MF | For 100V models |
| 327 | 0694804601 | 0C4812 | CONDENSATORE 60 Mf | CAPACITOR 60 MF | For 120V models |
| 327 | 0694806000 | 0C5526 | CONDENSATORE DA 8 MF | CAPACITOR 8 MF | for Level C,K |
| 328 | 0624400100 | 0C6895 | TRASFORMATORE | TRANSFORMER | |
| 328 | 0624807100 | 007046 | TRASFORMATORE | TRANSFORMER | for 100V models |
| 329 | 0648803001 | 058857 | RELE | RELE | for Level Touch, B |
| 329 | 0648808000 | 0C1883 | RELE | RELE | for 120V,100V models |
| 329 | 0648723800 | 088086 | RELE | RELE | for 120V models |
| 330 | 0624807002 | 007047 | ALIMENT. SWITCHING LAMBDA | LAMBDA SWITCHING FEEDER | for Level Touch |
| 331 | 0646812900 | 0C1147 | LIMITATORE, BOILER | LIMITER, BOILER | |
| 331 | 0646810902 | 006433 | LIMITATORE, BOILER | LIMITER, BOILER | for 120V models |
| 332 | 0509803900 | 0C4459 | RIFLETTORE | REFLECTOR | |
| 333 | 0652801900 | 004010 | PORTAFUSIBILE | FUSE HOLDER | for 120V models |
| 334 | 0624400002 | 0C6945 | TRASFORMATORE | TRANSFORMER | for 120V models |
| 336 | 0543843500 | 0C5451 | GUARNIZIONE | GASKET | |
| 337 | 0638400Y00 | 0C6566 | PROLUNGA USB | USB CABLE | FOR Touch Level |
| 338 | 0546400200 | 0C6547 | VASCHETTA USB | USB PLUG | for TOUCH level |
| 339 | 0541400A00 | 0C6546 | COPERTURA USB | USB COVER | for TOUCH level |
| 340 | 0675858601 | 0C8033 | TASTO ON-OFF(INTER.PRINCIPALE) | ON-OFF (MAIN SWITCH) | |
| 341 | 0648722900 | 088267 | RELE' SICUREZZA | SECURITY RELE | for TOUCH level |
| 342 | 0831851002 | 0C4934 | ASSIEME FILTRO CRUSCOTTO | ASS. FILTER CONTROL PANEL | |
| 343 | 0549400F00 | 0C9991 | FILTRO CRUSCOTTO | FILTER CONTROL PANEL | |
| | | | Pagina 6 | Page 6 | |
| 400 | 0831850400 | 0C5018 | PORTATEGLIE DX P60 | TRAY SUPPORT DX P60 | |
| 401 | 0831850500 | 0C5019 | PORTATEGLIE SX P60 | TRAY SUPPORT SX P60 | |
| 402 | 0806872800 | 0C4961 | SUPPORTO CON S.G. | SUPPORT S.G. | |
| 403 | 0511828100 | 0C5620 | SUPPORTO | SUPPORT | |
| | | | SONDE DI TEMPERATURA | TEMPERATURE PROBES | |
| | 0830898902 | 0C6538 | SONDA CELLA 500mm ROSSA | CAVITY PROBE 500mm RED | |
| | 0830899001 | 0C0325 | SONDA BOILER 800mm AZZURRA | BOILER PROBE 800mm BLUE | for Level TOUCH, B |
| | 0830899101 | 0C6539 | SONDA BYPASS 1100 BIANCO | BYPASS PROBE 1100mm WHITE | for Level TOUCH, B |