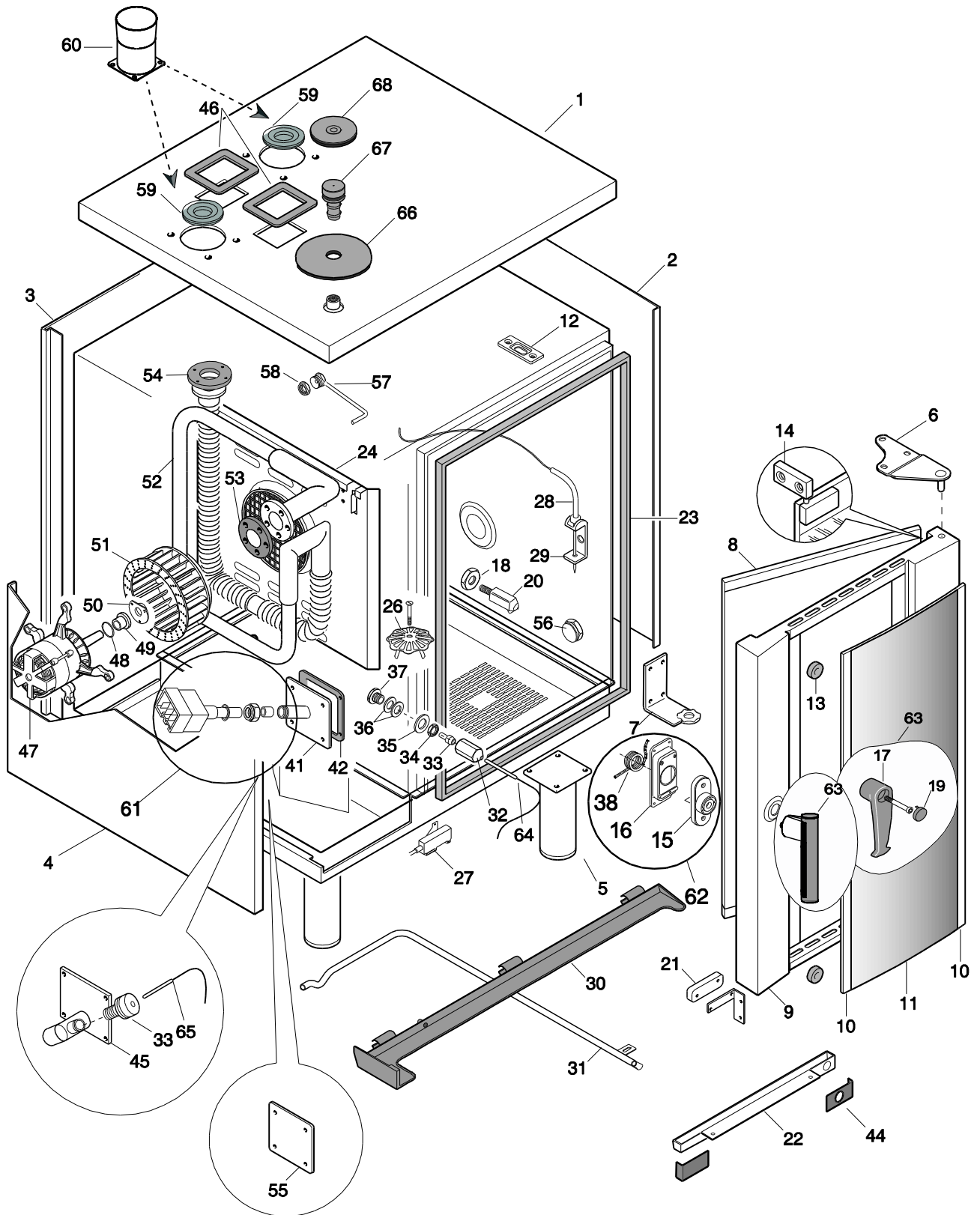


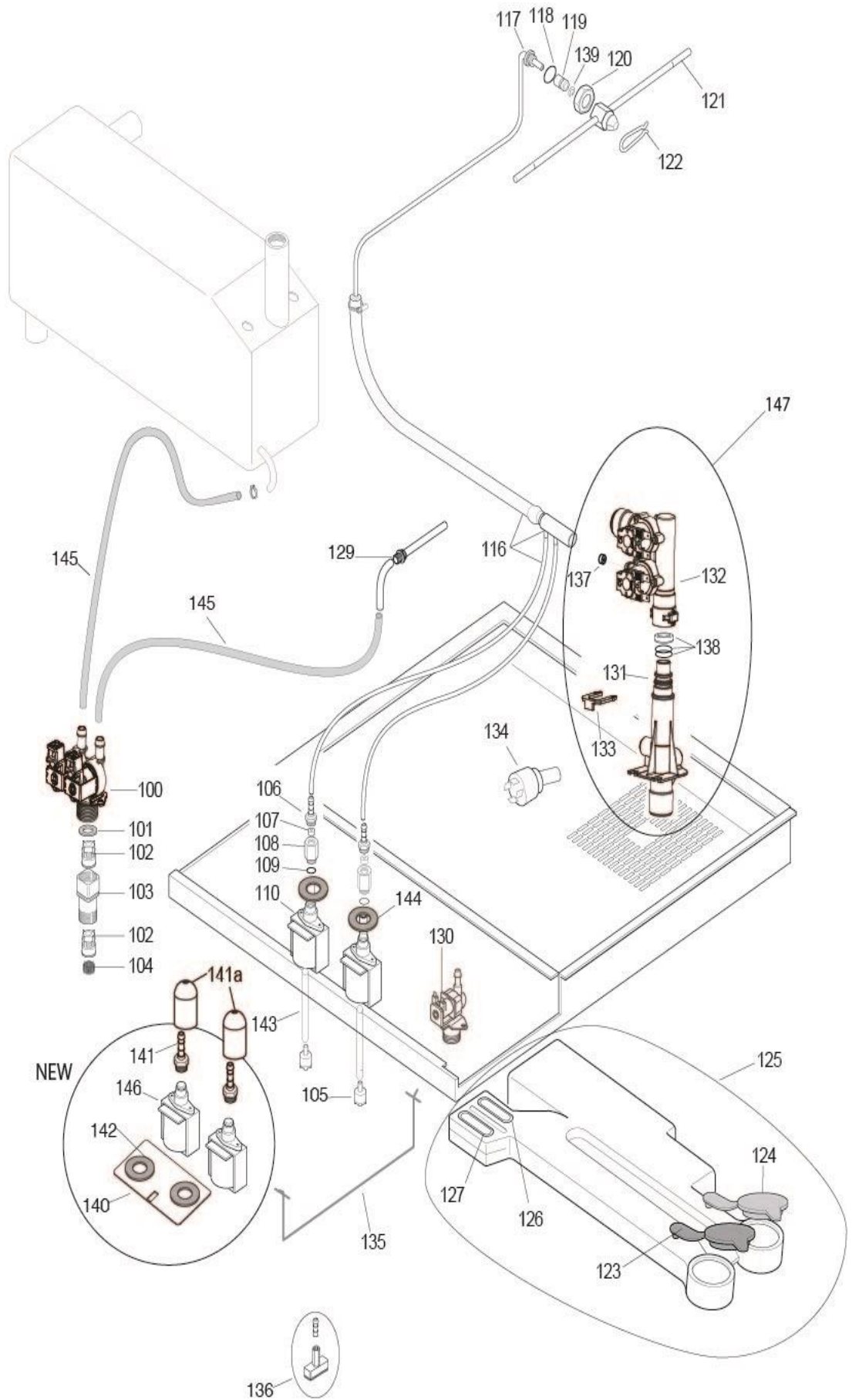
10 GN 2/1 GAS CONVECTION / STEAM OVEN
FORNO CONVEZIONE / VAPORE GAS 10 GN 2/1

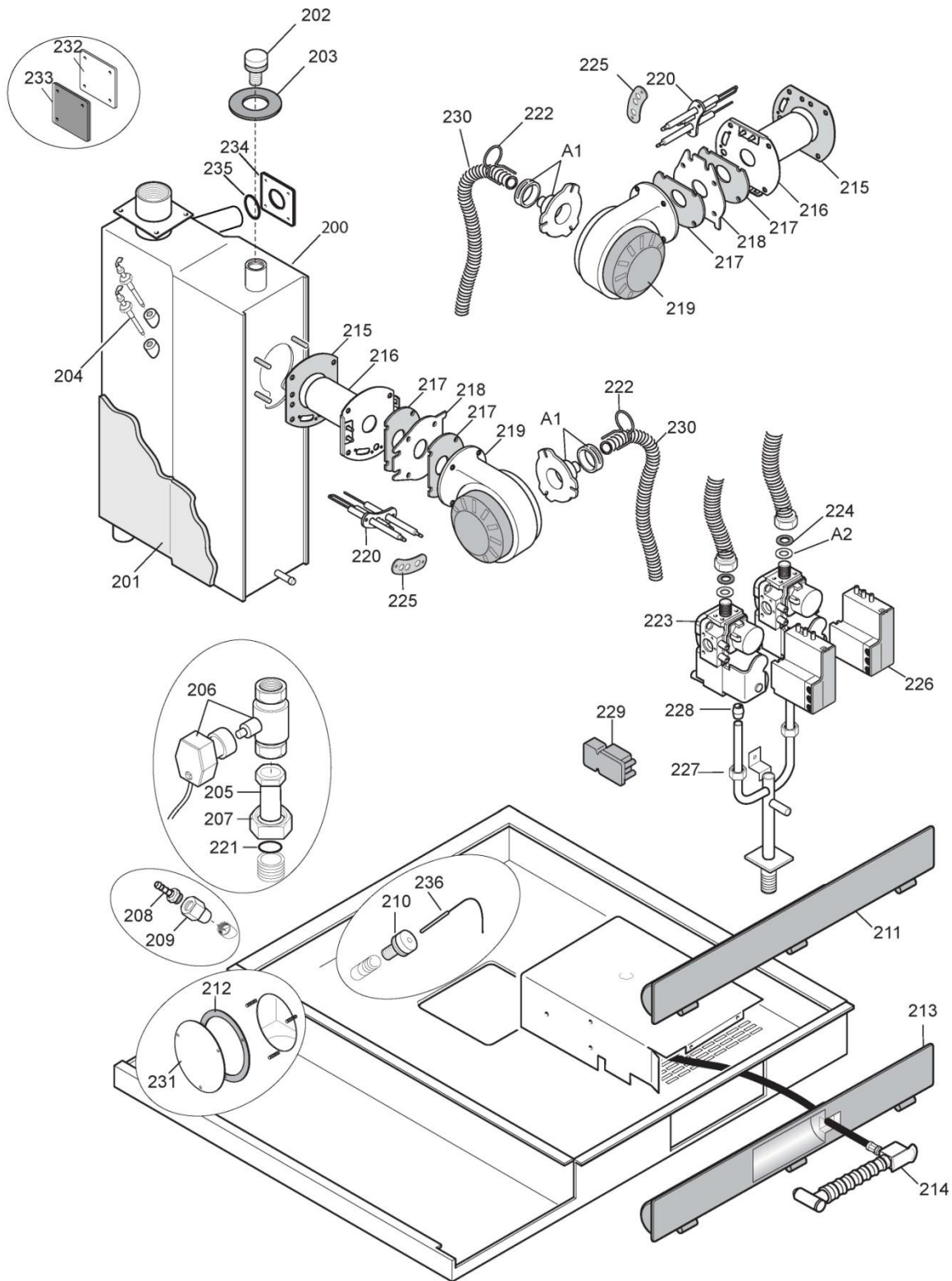
| PNC | Model | Ref | Group | Level | Page | Notes |
|--------|------------|-----|-------|---------|--------|----------------------|
| 236703 | FCZ102GKG | A1 | FCZ | Level K | 2...11 | 50Hz STD |
| 236713 | FCZ102GKD | B2 | FCZ | Level K | 2...11 | 50Hz LPG |
| 236803 | FCZ102GKZA | C1 | FCZ | Level K | 2...11 | 230V 50Hz AUS |
| 237703 | FCZ102GTG | a | FCZ | Touch | 2...11 | 230V 50Hz STD |
| 237713 | FCZ102GTD | b | FCZ | Touch | 2...11 | 230V 50Hz LPG |
| 237723 | FCZ102GTL1 | m1 | FCZ | Touch | 2...11 | 100V 50/60 HZ Japan |
| 237803 | FCZ102GTZA | D1 | FCZ | Touch | 2...11 | 230V 50Hz AUS |
| 238703 | FCZ102GBG2 | c | FCZ | Level B | 2...11 | 230V 50Hz STD |
| 238713 | FCZ102GBD2 | d | FCZ | Level B | 2...11 | 230V 50Hz LPG |
| 238723 | FCZ102GBL2 | e | FCZ | Level B | 2...11 | 100V 50/60Hz JAP LPG |
| 238803 | FCZ102GBZA | E1 | FCZ | Level B | 2...11 | 230V 50Hz AUS |
| 239703 | FCZ102GCG2 | f | FCZ | Level C | 2...11 | 230V 50Hz STD |
| 239713 | FCZ102GCD2 | g | FCZ | Level C | 2...11 | 230V 50Hz LPG |
| 239803 | FCZ102GCZA | F1 | FCZ | Level C | 2...11 | 230V 50Hz AUS |
| 266703 | AOS102GKG1 | u | AOS | Level K | 2...11 | 50Hz STD |
| 266713 | AOS102GKD1 | v | AOS | Level K | 2...11 | 50Hz LPG |
| 266753 | AOS102GKP1 | z | AOS | Level K | 2...11 | 60Hz USA |
| 266763 | AOS102GKP1 | N1 | AOS | Level K | 2...11 | 60Hz USA |
| 266803 | AOS102GKZA | G1 | AOS | Level K | 2...11 | 230V 50Hz AUS |
| 267703 | AOS102GTG1 | h | AOS | Touch | 2...11 | 230V 50Hz STD |
| 267713 | AOS102GTD1 | i | AOS | Touch | 2...11 | 230V 50Hz LPG |
| 267753 | AOS102GTP1 | l | AOS | Touch | 2...11 | 120V 60Hz USA |
| 267783 | AOS102GTW1 | m | AOS | Touch | 2...11 | 230V 50Hz UK |
| 267803 | AOS102GTZA | H1 | AOS | Touch | 2...11 | 230V 50Hz AUS |
| 268703 | AOS102GBG2 | n | AOS | Level B | 2...11 | 230V 50Hz STD |
| 268713 | AOS102GBD2 | o | AOS | Level B | 2...11 | 230V 50Hz LPG |
| 268783 | AOS102GBW1 | p | AOS | Level B | 2...11 | 230V 50Hz UK |
| 268803 | AOS102GBZA | I1 | AOS | Level B | 2...11 | 230V 50Hz AUS |
| 269703 | AOS102GCG2 | q | AOS | Level C | 2...11 | 230V 50Hz STD |
| 269713 | AOS102GCD2 | r | AOS | Level C | 2...11 | 230V 50Hz LPG |
| 269753 | AOS102GCP1 | s | AOS | Level C | 2...11 | 120V 60Hz USA |
| 269783 | AOS102GCW2 | t | AOS | Level C | 2...11 | 230V 50Hz UK |
| 269803 | AOS102GCZA | L1 | AOS | Level C | 2...11 | 230V 50Hz AUS |

| Pag | Index | Indice | Note |
|--------|---------------------------------|----------------------|------|
| 2 | Oven cabinet and | Cella forno e porta | |
| 3 | door. | Impianto idraulico | |
| 4 | Water system | Boiler | |
| 5 | Boiler | Componenti elettrici | |
| 6 | Electrical components | Accessori | |
| 7...11 | Accessories Spare parts list | Lista ricambi | |

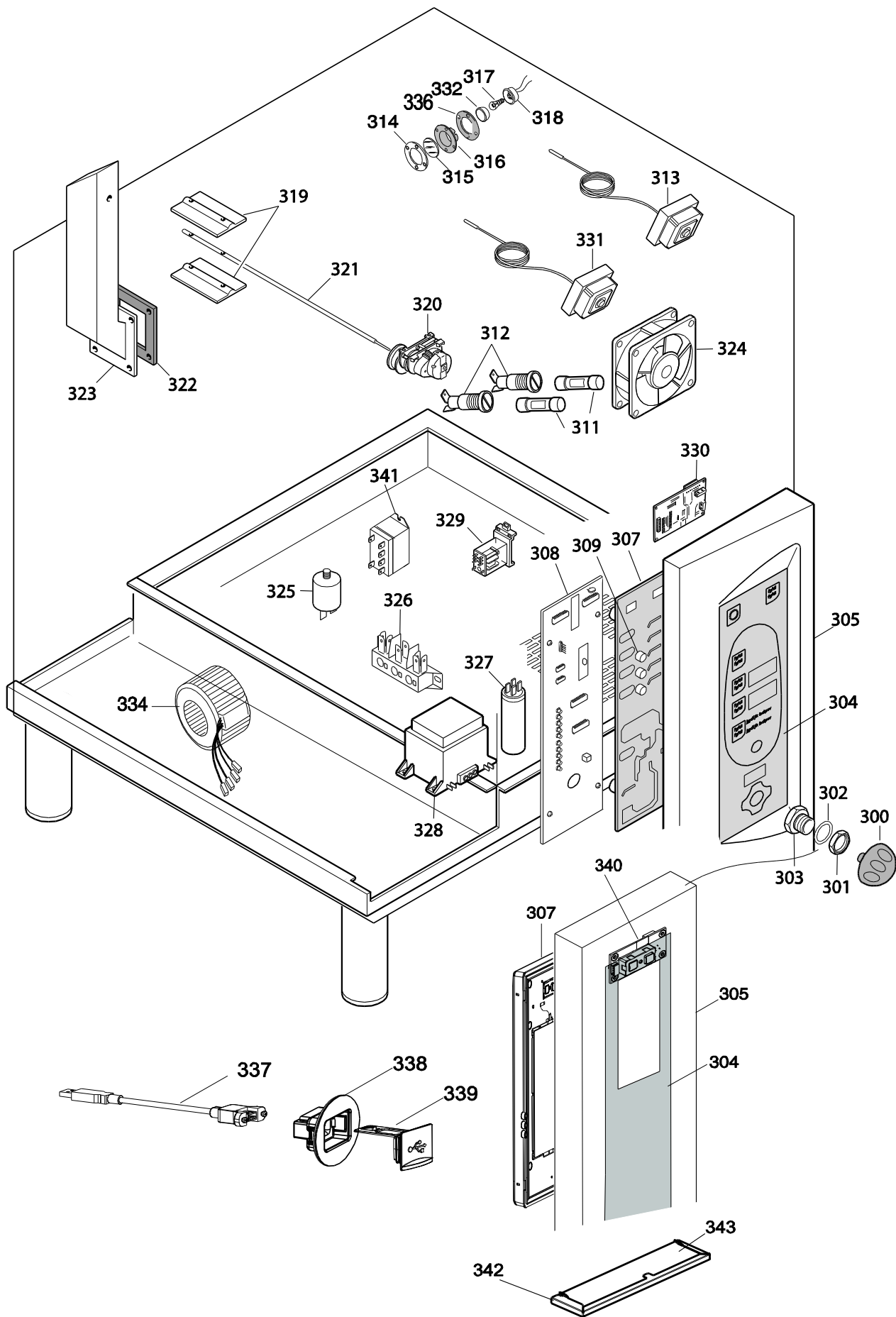
Brand/Marchio: All Factory code: 9PDD

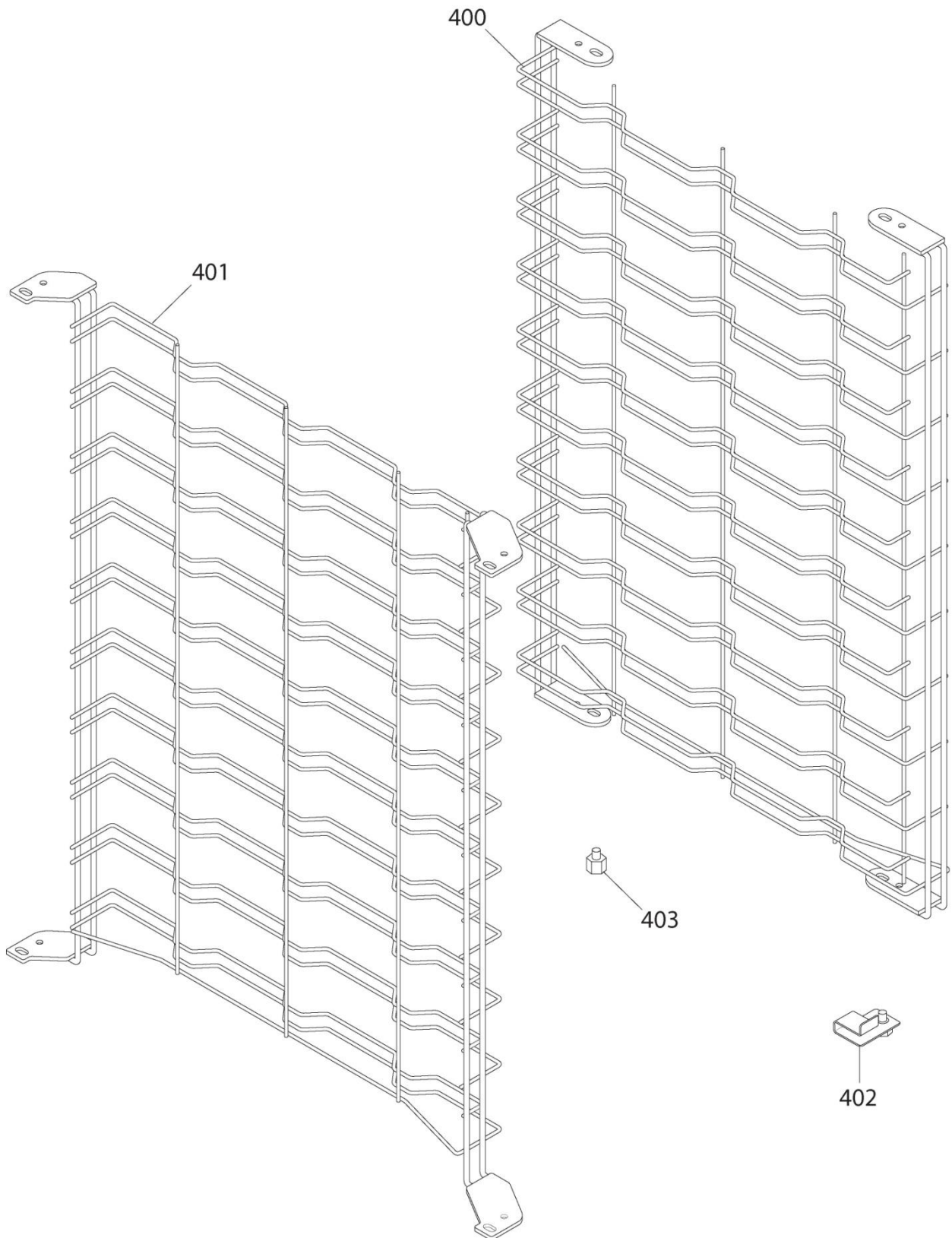






| GAS | AERATORE/AERATOR | | DIAFRAMMA/DIAPHRAGM | | DIAFRAMMA/DIAPHRAGM | |
|-----|-------------------------|----------------------|-------------------------|-------------------|--------------------------|--------------------|
| | POS. A1 CELLA/CAVITY | POS. A1 BOILER | POS. A2 CELLA/CAVITY | POS. A2 BOILER | POS. 218 CELLA/CAVITY | POS. 218 BOILER |
| G20 | 0C4629 (VERDE/GREEN) | 0C4629 (VERDE/GREEN) | 0C1163 (ø 7,8) | 0C2444 (ø 7,5) | 0C4125 (ø 21) | 0C4125 (ø 21) |
| G25 | 0C4629 (VERDE/GREEN) | 0C4629 (VERDE/GREEN) | 0C5237 (ø 9,25) | 0C5236 (ø 9) | 0C4125 (ø 21) | 0C4125 (ø 21) |
| G30 | 0C4629 (VERDE/GREEN) | 0C4629 (VERDE/GREEN) | 0C2446 (ø 5,8) | 0C2446 (ø 5,8) | 0C4110 (ø 18) | 0C4110 (ø 18) |
| LPG | 0C4629 (VERDE/GREEN) | 0C4629 (VERDE/GREEN) | 0C4386 (ø 6,25) | 0C1142 (ø 6,15) | 0C4110 (ø 18) | 0C4110 (ø 18) |





10 GN 2/1 GAS CONVECTION / STEAMER OVEN
FORNO CONVEZIONE / VAPORE GAS 10 GN 2/1

| <i>Pos</i> | <i>Factory Code</i> | <i>6DGT Code</i> | <i>Descrizione</i> | <i>Description</i> | <i>Ref./Note</i> |
|------------|---------------------|------------------|------------------------------|---------------------------|--|
| | | | Pagina 2 | Page 2 | |
| 1 | 0530891600 | 0C6180 | COPERCHIO | COVER | |
| 1 | 0530891800 | 0C6182 | COPERCHIO | COVER | For Level C ,K |
| 2 | 0530891100 | 0C6176 | FIANCO DX | RIGHT SIDE PANEL | |
| 3 | 0530892800 | 0C6191 | SCHIENALE | BACK PANEL | |
| 4 | 0530893400 | 0C6197 | FIANCO SX | LEFT SIDE PANEL | |
| 5 | 0831850900 | 0C4892 | PIEDINO | FOOT | From 2008/01 up to 2012/18 Up to 2007/52 from 2012/19 |
| 5 | 0831842202 | 0C4233 | PIEDINO | FOOT | |
| 6 | 0806847803 | 0C4234 | CERNIERA SUPERIORE | UPPER HINGE | |
| 7 | 0806861600 | 0C4235 | CERNIERA INFERIORE | LOWER HINGE | |
| 8 | 0873870003 | 0C4504 | VETRO INTERNO | INNER GLASS | |
| 9 | 0879400702 | 0C6602 | PORTA COMPLETA | COMPLETE DOOR | |
| - | 0518806205 | 0C6051 | MOLLA FERMAVETRO INTERNO | SPRING FOR INTERNAL GLASS | |
| 10 | 0806859302 | 0C4476 | PROFILO DX-SX | RIGHT AND LEFT TRIM | |
| 11 | 0574817303 | 0C4503 | VETRO ESTERNO | EXTERNAL GLASS | for Group AOS |
| 11 | 0574818601 | 0C4944 | VETRO ESTERNO | EXTERNAL GLASS | for Group FCZ |
| 12 | 0543839700 | 0C4088 | GUARNIZIONE FLANGIA SPILLONE | GASKET | |
| 13 | 0543828001 | 006976 | AMMORTIZZATORE | DAMPER | |
| 14 | 0806822000 | 007007 | CERNIERA VETRO INTERNO | HINGE, INNER GLASS | |
| 15 | 0835871801 | 0C4089 | GR.CHIUSURA A SCATTO 'HRS' | CLOSING MECHANISM | |
| 16 | 0510824200 | 0C4237 | SUPPORTO GR.CHIUSURA | SUPPORTO | |
| 17 | 0548871501 | 0C4090 | MANIGLIA CHIUSURA A SCATTO | DOOR HANDLE | |
| 18 | 0516896401 | 0C4238 | DADO FISSAGGIO | NUT FOR DOOR CATCHER | |
| 19 | 0546822600 | 0C4091 | TAPPO PER MANIGLIA 'HRS' | DOOR COVER HANDLE | |
| 20 | 0806859900 | 0C4092 | NASELLO SINGOLO SCATTO | DOOR CATCHER | |
| 21 | 0699603700 | 049627 | MAGNETE | MAGNET | |
| 22 | 0528869601 | 0C4292 | VASCHETTA RACC.CONDENSE | DOOR DRAIN TRAY | |
| 23 | 0543835000 | 0C1887 | GUARNIZIONE CELLA-PORTA | GASKET | |
| - | 0147098067 | 003926 | SIGILLANTE (RED) | RED SEALANT | |
| 24 | 0831847104 | 0C4620 | PARETE DI ASPIRAZIONE | SUCTION WALL | |
| 25 | 0518807301 | 0C3423 | MOLLA AGGANCIAMENTO PARETE | SPRING | |
| 26 | 0518808600 | 0C1740 | FILTRO FONDO | FILTER | |
| 27 | 0654600000 | 049621 | INTERRUTTORE MAGNETICO | MAGNETIC SWITCH | |
| 28 | 0831831000 | 0C4240 | SPILLONE CURVO MULTIPOINT | MEAT PROBE MULTI POINT | for Level Touch; N1 |
| 28 | 0831830700 | 0C4241 | SPILL. CURVO SINGOLO PUNTO | MEAT PROBE SINGLE POINT | for Level B,C,K |
| 29 | 0527865201 | 0C1505 | SUPPORTO SPILLONE | MEAT PROBE SUPPORT | |
| 30 | 0856814100 | 0C4298 | BACINELLA SNODABILE | DRAIN TRAY | |
| 31 | 0806858901 | 0C4293 | TUBO PER CONDENSE 1/1 | DRAIN TUBE | |
| 32 | 0516855300 | 006991 | DADO SONDA CELLA | NUT, CAVITY PROBE | |
| 33 | 0543842600 | 0C4872 | TAPPO PER SENSORE | STOPPER FOR SENSOR | for Level Touch, B |
| 34 | 0214105101 | 020997 | CONTRODADO PORTAUGELLO | LOCK NUT | |
| 35 | 0508838701 | 002700 | RONDELLA SONDA CELLA | WASHER | |
| 36 | 0543816300 | 002624 | GUARN. PER TENUTA SONDA | GASKET | |
| 37 | 0516809400 | 002623 | RACCORDO SONDA CELLA | CONNECTION, CAVITY PROBE | |
| 38 | 0518818000 | 0C8561 | MOLLA PER CHIUSURA | SPRING | |
| 41 | 0806857201 | 0C4244 | COND. SONDA LAMBDA | FLANGE TUBE | for level Touch |
| 42 | 0543838300 | 0C4093 | GUARNIZIONE BYPASS/LAMBDA | GASKET | |
| 44 | 0543841300 | 0C4094 | GUARN. VASC. CONDENSE | GASKET | |
| 45 | 0806873000 | 0C6351 | CONDOTTO FLANGIATO BY-PASS | DUCT, BYPASS PROBE | for Level B |
| 46 | 0543828901 | 007005 | GUARN. CONDOTTO ARIA-COP. | GASKET, DUCT | |
| 47 | 0611806600 | 0C1171 | MOTORE | MOTOR | Up to 020100.. |
| 47 | 0611810000 | 0C6563 | MOTORE | MOTOR | From 021100.. |
| 47 | 0611807500 | 0C1888 | MOTORE | MOTOR | for Japan, Usa models up to 020100. |
| 47 | 0611400000 | 0C6703 | MOTORE | MOTOR | for Japan, Usa Version from 021100.. |
| 48 | 0543816700 | 002873 | O RING | O RING | |

10 GN 2/1 GAS CONVECTION / STEAMER OVEN
FORNO CONVEZIONE / VAPORE GAS 10 GN 2/1

| <i>Pos</i> | <i>Factory Code</i> | <i>6DGT Code</i> | <i>Descrizione</i> | <i>Description</i> | <i>Ref./Note</i> |
|------------|---------------------|------------------|-------------------------------|-------------------------------|-----------------------|
| 49 | 0516808902 | 002699 | CUSCINETTO | BEARING | |
| 50 | 0538815400 | 0C4138 | FLANGIA FISS.TENUTA MOTORE | FLANGE | |
| 51 | 0835400900 | 0C6464 | VENTOLA | FAN | |
| 52 | 0831829701 | 0C4299 | SCAMBIATORE | HEAT EXCHANGER | |
| 53 | 0543830700 | 0C1036 | GUARNIZIONE | GASKET | |
| 54 | 0543833200 | 0C2208 | GUARNIZIONE | GASKET | |
| 55 | 0527898900 | 0C4857 | PIASTRA CHIUSURA | FLANGE | for Level C,K |
| 56 | | | PERNO SPILLONE | PROBE PIN | |
| 57 | 0856828501 | 0C4976 | CONDOTTO UMIDIFICATORE | HUMIDIFIER PIPNG | for Level C ,K |
| 58 | 0516887101 | 0C6228 | DADO CONDOTTO | NUT HUMIDIFIER | for Level C,K |
| 59 | 0560854300 | 0C5388 | GUARNIZIONE CAMINO | GASKET | |
| 60 | 0856810703 | 0C4868 | ADATTATORE CAMINO | CHIMNEY | For Australia Version |
| 61 | - | 0C6465 | KIT SONDA LAMBDA | LAMBDA KIT | for level Touch |
| 62 | 0835872002 | 0C4477 | ASSIEME CHIUSURA PORTA | COMPLETE CLOSING MECH. | Up to 6081... |
| 62 | 0835402M00 | * | ASSIEME CHIUSURA PORTA | COMPLETE CLOSING MECH. | From 6091... |
| 63 | 0830400600 | 0C6572 | MANIGLIA COMPLETA | COMPLETE DOOR HANDLE | for FCZ Group |
| 63 | 0830400500 | 0C6569 | MANIGLIA COMPLETA | COMPLETE DOOR HANDLE | for AOS Group |
| 64 | 0830898902 | 0C6538 | SENSORE TEMPERATURA | TEMP. PROBE | |
| 65 | 0830899101 | 0C6539 | SENSORE TEMPERATURA | TEMP. PROBE | |
| 66 | 0543400900 | 0C7016 | GUARNIZIONE PER TUBO | PIPE GASKET | |
| 67 | 0543816601 | 002692 | TAPPO CARICO DISINCROST. | RECHARGE CAP FOR SCALER | |
| 68 | 0543843201 | 0C4965 | GOMMINO CHIUSURA ING.DISIN | GASKET | |
| | | | Pagina 3 | Page 3 | |
| 100 | 0696808400 | 0C5517 | ELETTROVALVOLA | WATER VALVE | for Level Touch,B |
| - | 0544819400 | 0C5829 | TUBO EPDM BLU | BLU PIPE EPDM | |
| - | 0835872300 | 0C5385 | FASCETTA NORMACLAMP | NORMACLAMP | |
| 101 | 0543840600 | 0C4096 | GUARNIZIONE FILTRO | GASKET | |
| 102 | 0549801800 | 0C2312 | VALVOLA NON RITORNO | NOT RE-FLOW VALVE | |
| 103 | 0516879400 | 0C2313 | RACCORDO ENTRATA ACQUA | PIPE FITTING | for Level Touch,B |
| 105 | 0831811400 | 0C1155 | ASSIEME FILTRO | FILTER | |
| 106 | 0516896101 | 0C4198 | RACCORDO PORTAGOMMA | PIPE FITTING | |
| 107 | 0544809000 | 0C1117 | VALVOLA NON RITORNO | NOT RE-FLOW VALVE | |
| 108 | 0516871900 | 0C1116 | RACCORDO PER POMPA | CONNECTION, PUPM | |
| 109 | 0543832300 | 0C1935 | O-RING | O-RING | |
| 110 | 0680801201 | 0C2341 | POMPA | PUMP | |
| 110 | 0680801301 | 0C2342 | POMPA | PUMP | for 60Hz models |
| 116 | 0805400301 | 0C6203 | ASS. COLLETTORE LAVAGGIO | CONNECTION | |
| 117 | 0806871200 | 0C5430 | ASS. SUPP. GETTO LAVAGGIO | SUPPORT | |
| 118 | 0543841400 | 0C4201 | GUARNIZIONE IN RAME | GASKET | |
| 119 | 0516898301 | 0C4467 | CUSCINETTO GETTO ROTANTE | BEARING | |
| 120 | 0516896000 | 0C4202 | DADO | NUT | |
| 121 | 0806873900 | 0C5503 | GETTO ROTANTE | ROTATING WASHING JET | |
| 122 | 0518807100 | 007026 | MOLLA | SPRING | |
| 123 | 0544808100 | 0C1151 | TAPPO PER SERBATOIO BLU | BLUE CUP | |
| 124 | 0544808200 | 0C1152 | TAPPO PER SERBATOIO ROSSO | RED CUP | |
| 125 | 0873857102 | 0C4426 | SERBATOIO DETERGENTE-BRIL | TANK | |
| 126 | 0544808900 | 0C1154 | PARATIA PER SERBATOIO ROSSO | RED BULKHEAD | |
| 127 | 0544808400 | 0C1153 | PARATIA PER SERBATOIO BLU | BLUE BULKHEAD | |
| 129 | 0H22982800 | 007075 | TUBO UMIDIFICATORE | HUMIDIFIER PIPE | for Level Touch, B |
| 129 | 0856828701 | 0C4978 | TUBO UMIDIFICATORE | HUMIDIFIER PIPE | for Level C,K |
| 130 | 0696808800 | 0C6170 | ELETTROVALVOLA | WATER VALVE | for Level B |
| 130 | 0696808200 | 0C5515 | ELETTROVALVOLA | WATER VALVE | for Level C,K |
| 131 | 0831857200 | 0C6370 | ASS. COLLETTORE entr acqua | WATER INLET COLLECTOR | |
| 132 | 0696808600 | 0C6374 | GRUPPO VALVOLE CLEANING | VALVE GROUP C.S. | For level Touch,B |
| 132 | 0696400100 | 0C6373 | GRUPPO VALVOLE CLEANING | VALVE GROUP C.S. | for Level Touch USA |
| 132 | 0696400300 | 0C6406 | GRUPPO VALVOLE CLEANING | VALVE GROUP C.S. | for Level C,K |
| 132 | 0696400500 | 0C6408 | GRUPPO VALVOLE CLEANING | VALVE GROUP C.S. | for Level C USA |
| 133 | 0546825100 | 0C6222 | FORCELLA SICUREZZA | CLIP | |

10 GN 2/1 GAS CONVECTION / STEAMER OVEN
FORNO CONVEZIONE / VAPORE GAS 10 GN 2/1

| <i>Pos</i> | <i>Factory Code</i> | <i>6DGT Code</i> | <i>Descrizione</i> | <i>Description</i> | <i>Ref./Note</i> |
|------------|---------------------|------------------|-------------------------------|-------------------------|-----------------------|
| 134 | 0646817200 | 0C6217 | PRESSOSTATO ATTACCO RAPIDO | CONNECTION FOR WASH ARM | |
| 135 | 0513805000 | 0C5426 | STAFFA SUPPORTO SERBATOIO | SUPPORT PLATE | |
| 136 | - | 0C6467 | KIT GANCIO SERBATOIO | KIT TANK HOOK | |
| 137 | - | 0C6375 | KIT PARZIALIZZATORI DI FLUSSO | FLOW REDUCER KIT | |
| 138 | - | 061303 | KIT O-RING +BUSSOLA | O-RING +BUSH KIT | |
| 139 | 0219035015 | 0C6421 | ANELLO ELASTICO | ELASTIC RING | |
| 140 | 0505401R00 | 0C7924 | PIASTRINA FISSAGGIO POMPE | FIXING PLAQUE | |
| 141 | 0544400C01 | 0C8348 | VITE TTL | TTL SCREW | Up to 5151... |
| 141 | 0544400C02 | 0CA348 | VITE TTL | TTL SCREW | From 5161... |
| 141a | 0546400J00 | 0C9538 | CAPPUCCIO DI PROTEZIONE | PROTECTION CAP | |
| 142 | 0543400R00 | 0C7925 | PASSACAVO | WIRING BUSH | |
| 143 | 0546814600 | 0C2309 | TUBO EXT | EXT. PIPE | |
| 144 | 0246530100 | 005382 | GOMMINO | GASKET | |
| 145 | 0544819400 | 0C5829 | TUBO EPDM BLU | EPDM PIPE | |
| 146 | 0686400100 | 0C8347 | POMPA DEFOND PHOENIX | PHOENIX DEFOND PUMP | Up to 4441... |
| 146 | 0686400201 | 0CA112 | POMPA CEME | CEME PUMP | From 4451... |
| 147 | 0835400L00 | 0C8683 | GRUPPO ENTRATA ACQUA | GROUP WATER INLET | |
| 147 | 0835400M00 | 0C8684 | GRUPPO ENTRATA ACQUA | GROUP WATER INLET | For level C,K |
| - | 0831854100 | 0C5562 | TUBO ACQUA WRAS | WATER INLET PIPE WRAS | |
| - | 0835870400 | 0C3464 | RIDUTTORE DI PRESSIONE | WATER PRESSURE REDUCER | |
| | | | Pagina 4 | Page 4 | |
| 200 | 0878401C00 | 0C9668 | KIT ASSIEME BOILER | BOILER ASS.Y KIT | for LevelTouch, B |
| 201 | 0560852501 | 0C4123 | KIT ISOLAMENTO | KIT ISOLATION | for LevelTouch, B |
| 202 | 0543816601 | 002692 | TAPPO | STOPPER | for LevelTouch, B |
| 203 | 0543817500 | 002634 | GUARNIZIONE | GASKET | for LevelTouch, B |
| 204 | 0831831901 | 0C4098 | SONDA DI LIVELLO | LEVEL PROBE | for LevelTouch, B |
| 205 | 0516868600 | 0C1063 | RACCORDO | CONNECTION | for LevelTouch, B |
| 206 | 0696804201 | 0C0882 | VALVOLA DI SCARICO 230V | DRAIN VALVE 230V | for LevelTouch, B |
| 206 | 0696808500 | 0C5518 | VALVOLA DI SCARICO 240V | DRAIN VALVE 240V | for 60Hz |
| 207 | 0516868500 | 0C1062 | MANICOTTO 1"-3/4" | CONNECTION 1"-3/4" | for LevelTouch, B |
| 208 | 0510828000 | 0C5564 | RESCA D12 FILETT 1/4' GAS | PIPE CONNECTION | |
| 209 | 0516879600 | 0C4099 | UGELLO 'ELPIS'1/4'FD3.5-3/8'M | NOZZLE | for LevelTouch, B |
| 210 | 0543842600 | 0C4872 | TAPPO PER SENSORE | STOPPER FOR SENSOR | for LevelTouch, B |
| 211 | 0546821501 | 0C4966 | PANNELLO FRONTALE INFERIORE | PANEL | Level B,C,K |
| 212 | 0543400000 | 0C7033 | GUARNIZIONE PORTELLO | GASKET | for level TOUCH |
| 213 | 0546818503 | 0C4533 | PANNELLO FRONTALE INFERIORE | PANEL | for Level Touch |
| 214 | 0873881200 | 0C4248 | DOCCETTA | SHOWER | for Level Touch |
| 214 | 0875402H00 | 0CA408 | DOCCETTA | SHOWER | for m from 5211... |
| 215 | 0543838200 | 0C4101 | GUARNIZIONE BRUCIATORE LWZ | GASKET | |
| 216 | 0831827502 | 0C4289 | BRUCIATORE | BURNER | |
| 217 | 0543838100 | 0C4102 | GUARNIZIONE PER VENTILATORE | FAN GASKET | |
| 218 | | | FLANGIA VENTILATORE | FAN FLANGE | |
| 219 | 0611808300 | 0C4103 | VENTILATORE | FAN | |
| 220 | 0831846502 | 0C4462 | CANDELINA DI ACC. E RIL. | IGNITION ROD | |
| 221 | 0543816800 | 002874 | ANELLO DI TENUTA OR | O-RING | for LevelTouch, B |
| 222 | 0518807600 | 0C1044 | MOLLA | SPRING | for LevelTouch, B |
| 223 | 0835859601 | 0C1057 | VALVOLA GAS | GAS VALVE | |
| 223 | 0835867200 | 0C1879 | VALVOLA GAS | GAS VALVE | USA Version |
| 224 | 0543840600 | 0C4096 | GUARNIZIONE | GASKET | |
| 225 | 0543841100 | 0C4104 | GUARNIZIONE CANDELINA | ROD GASKET | |
| 226 | 0624810800 | 0C4260 | CENTRALINA | IGNITION BOARD | |
| 227 | 0516847000 | 0C1058 | DADO | NUT | |
| 228 | 0515801715 | 052671 | BICONO X TUBO DA 16 | SEAL | |
| 229 | 0624810600 | 0C4105 | ACCENDITORE BRAHMA | IGNITION BOARD | |
| 230 | 0517877101 | 0C1054 | CONDUTTURA L= 398MM | PIPE L= 398MM | for LevelTouch, B |
| 230 | 0517877200 | 0C4301 | CONDUTTURA L= 570MM | PIPE L= 570MM | for LevelTouch, B |
| 231 | 0J89061403 | 0C3443 | PORTELLO ISPEZIONE | INSPECTION COVER | for LevelTouch |

10 GN 2/1 GAS CONVECTION / STEAMER OVEN
FORNO CONVEZIONE / VAPORE GAS 10 GN 2/1

| <i>Pos</i> | <i>Factory Code</i> | <i>6DGT Code</i> | <i>Descrizione</i> | <i>Description</i> | <i>Ref./Note</i> |
|------------|---------------------|------------------|--------------------------------------|------------------------------------|--|
| 232 | 0527898700 | 0C4856 | FLANGIA CHIUS. FORO BOILER | FLANGE | For Level C,K |
| 233 | 0543842800 | 0C4963 | GUARN. CHIUSURA FORO BOILER | GASKET | For Level C,K |
| 234 | 0527878700 | 0C6449 | FLANGIA CHIUS.FORO BOILER | FLANGE | For Level Touch,B |
| 235 | 0543839200 | 0C6450 | GUARN. CHIUS. FORO BOILER | GASKET | For Level Touch,B |
| 236 | 0830899100 | 0C0326 | SONDA BYPASS (L 1200) | BYPASS PROBE (L 1200) | for Level A e B |
| | | | Pagina 5 | Page 5 | |
| 300 | 0806874001 | 0C5600 | MANOPOLA | HANDLE | |
| 301 | 0214114900 | 051263 | CONTRODADO | LOCK NUT | |
| 302 | 0508836400 | 002727 | RONDELLA | DISK | |
| 303 | 0516807301 | 002662 | BOCCOLA | BUSH | |
| 304 | 0548400502 | 0C6549 | MEMBRANA TOUCH AOS MODELS | LAYER TOUCH AOS MODELS | for Level Touch AOS |
| 304 | 0548400B01 | 0C6551 | MEMBRANA TOUCH FCZ MODELS | LAYER TOUCH FCZ MODELS | for Level TouchFCZ |
| 304 | 0548400F01 | 0C6553 | MEMBRANA LIV.B AOS MODELS | LAYER LEV. B AOS MODELS | for Level B AOS Group |
| 304 | 0675855001 | 0C4948 | MEMBRANA LIV.B FCZ MODELS | LAYER LEV. B FCZ MODELS | for Level B FCZ Group |
| 304 | 0548400J01 | 0C6556 | MEMBRANA LIV.C AOS MODELS | LAYER LEV. C AOS MODELS | for Level C AOS Group |
| 304 | 0548401600 | 0C7960 | MEMBRANA LIV.C (1/2 VELOCITA) | LAYER LEV. C (1/2 SPEED) | for Level C USA (Start s/n 120...) |
| 304 | 0675855102 | 0C4949 | MEMBRANA LIV.C FCZ MODELS | LAYER LEV. C FCZ MODELS | for Level C FCZ Group |
| 304 | 0548401G00 | 0C8706 | MEMBRANA LIV. TOUCH "K" | LAYER TOUCH "K" AOS MODELS | For Level Touch "K" AOS Group |
| 305 | 0875401901 | 0C6584 | CRUSCOTTO LIV. TOUCH + MEMBRANA | CONT.PANEL LEV. TOUCH + LAYER | for Level Touch AOS |
| 305 | 0870400L00 | 0C6594 | CRUSCOTTO LIV. TOUCH (NO MEMBR.) | CONT.PANEL LEV. TOUCH (NO LAYER) | for Level Touch FCZ Ver. |
| 305 | 0870400801 | 0C6585 | CRUSCOTTO LIV. B (NO MEMBR.) | CONT.PANEL LEV. B (NO LAYER) | for Level B AOS Ver. |
| 305 | 0873896302 | 0C4905 | CRUSCOTTO LIV. B (NO MEMBR.) | CONT.PANEL LEV. B (NO LAYER) | for Level B FCZ Ver. |
| 305 | 0870400M01 | 0C6595 | CRUSCOTTO LIV. C (NO MEMBR.) | CONT.PANEL LEV. C (NO LAYER) | for Level C AOS Ver. |
| 305 | 0873896402 | 0C4906 | CRUSCOTTO LIV. C (NO MEMBR.) | CONT.PANEL LEV. C (NO LAYER) | for Level C FCZ Ver. |
| 305 | 0875401T00 | 0C8710 | CRUSCOTTO LIV.TOUCH "K" CON MEMBRANA | CONTROL PANEL TOUCH "K" WITH LAYER | For Level Touch "K" AOS Group |
| - | 0831844900 | 0C4930 | FILTRO ARIA CRUSCOTTO | AIR FILTER CONTROL PANEL | |
| 307 | 675400A00 | 0C6571 | SCHEDA USER INTERFACE LIV.TOUCH | USER INTERF. BOARD, LEV. TOUCH | for Level TOUCH,K up to 2441... |
| 307 | 675400P01 | 0C8805 | SCHEDA USER INTERFACE LIV.TOUCH | USER INTERF. BOARD, LEV. TOUCH | for Level TOUCH,K from 2451... up to 4481... |
| 307 | 675400P03 | 0CA070 | SCHEDA USER INTERFACE LIV.TOUCH | USER INTERF. BOARD, LEV. TOUCH | for Level TOUCH,K from 4491... |
| 307 | 0675838802 | 0C0041 | SCHEDA USER INTERFACE LIV. B | USER INTERF. BOARD, LEV. B | for Level B |
| 307 | 0675854600 | 0C4891 | SCHEDA USER INTERFACE LIV. C | USER INTERF. BOARD, LEV. C | for Level C |
| 307 | 0675854602 | 0C7350 | SCHEDA USER INT.LIV. C(1/2 VEL) | USER INT. BOARD LEV. C(1/2 SPEED) | for Level C (Start s/n 120...) |
| 308 | 0675400802 | 0C6570 | SCHEDA POWER | MAIN POWER | for Level TOUCH,K |
| 308 | 0675837808 | 0C0042 | SCHEDA POWER | MAIN POWER | for Level B,C |
| - | 0546814001 | 0C3750 | DISTANZIALE ARCHETTO NYLON | SPACER NYLON | |
| 309 | 0546824600 | 0C5833 | PROLUNGA PULSANTE | PROLONG | |
| 311 | 0652804600 | 0C2954 | FUSIBILE F 20A 10x38 | FUSE F 20A 10x38 | |
| 311 | 0652800701 | 058869 | FUSIBILE RAPIDO 10 A F | FUSE FAST 10 A F | |
| 311 | 0652803900 | 0C2301 | FUSIBILE OMEGA 800MA | FUSE OMEGA 800MA | |
| 311 | 0652805300 | 0C2237 | FUSIBILE 6.3A FAST 5X20 | FUSE 6.3A FAST 5X20 | for 120V models |
| 311 | 0652803300 | 0C1480 | FUSIBILE RAPIDO 6.30 A | FUSE FAST 6.3 A | for 120V models |
| 311 | 0652803200 | 0C2953 | FUSIBILE 5X20 2,5A T | FUSE OMEGA 5X20 2,5A T | for Japan,120V models |
| 311 | 0652803100 | 0C6034 | FUSIBILE 5X20 1,6A T | FUSE OMEGA 5X20 1,6A T | for Japan models |
| 311 | 0652802300 | 005868 | FUSIBILE 5X20 20A T | FUSE OMEGA 5X20 20A T | for Japan models |
| 312 | 0652802100 | 0F0031 | PORTAFUSIBILE | FUSE HOLDER | |
| 313 | 0646812200 | 007042 | LIMITATORE, CELLA | LIMITER, CAVITY | |
| 313 | 0646810802 | 006314 | LIMITATORE, CELLA | LIMITER, CAVITY | for 120V models |
| 314 | 0508840801 | 002628 | FLANGIA | FLANGE | |
| 315 | 0574804900 | 002627 | VETRO | GLASS | |
| 316 | 0543842000 | 002626 | GUARNIZIONE | GASKET | |
| 317 | 0660808300 | 0C4396 | LAMPADA ALOGENA | HALOGEN LAMP | Up to 4361... |

| 10 GN 2/1 GAS CONVECTION / STEAMER OVEN FORNO CONVEZIONE / VAPORE GAS 10 GN 2/1 | | | | | |
|--|---------------------|------------------|---------------------------------|---------------------------|--|
| Pos | Factory Code | 6DGT Code | Descrizione | Description | Ref./Note |
| 317 | 0660400100 | 0C9877 | LAMPADA ALOGENA | HALOGEN LAMP | From 4371... |
| 318 | 0660806401 | 007055 | PORTALAMPADA | LAMP HOLDER | |
| 319 | 0508896801 | 007081 | FARFALLA | CLOSER | |
| 320 | 0680802300 | 0C5501 | MOTORIDUTTORE | MOTOREDUCER | |
| 320 | 0680802400 | 0C5502 | MOTORIDUTTORE | MOTOREDUCER | for 120V models |
| 321 | 0542800500 | 0C4775 | INDUTTANZA | INDUCTANCE | For USA, Japan Version |
| 322 | 0543832200 | 0C1168 | GUARNIZIONE | GASKET | |
| 323 | 0831806402 | 0C1219 | CONDOTTO ARIA | DUCT, AIR | |
| 324 | 0624811000 | 0C4106 | VENTILATORE | FAN | |
| 325 | 0694805900 | 0C4950 | FILTRO ANTIDISTURBO | FILTER | |
| 326 | 0639804900 | 046357 | MORSETTIERA | TERMINAL BOARD | |
| 327 | 0694800700 | 0C1186 | CONDENSATORE 31 Mf | CAPACITOR 31MF | |
| 327 | 0694802700 | 0C1187 | CONDENSATORE 15Mf | CAPACITOR 15 MF | |
| 327 | 0694804601 | 0C4812 | CONDENSATORE 60 Mf | CAPACITOR 60 MF | For Japan,120V models |
| 327 | 0694802101 | 0C4813 | CONDENSATORE DA 80 MF | CAPACITOR 80 MF | For Japan,120V models |
| 328 | 0624400100 | 0C6895 | TRASFORMATORE | TRANSFORMER | up to 329100.. |
| 328 | 0624400900 | 0C9557 | TRASFORMATORE | TRANSFORMER | from to 330100.. |
| 328 | 0624807100 | 007046 | TRASFORMATORE | TRANSFORMER | for Japan models |
| 329 | 0648803001 | 058857 | RELE FINDER | RELE | For level B, K, Touch, except for Japan and USA models |
| 329 | 0648722900 | 088267 | RELE OMRON | RELE | Except for Japan and USA models |
| 329 | 0648723800 | 088086 | RELE OMRON | RELE | For USA and Japan models |
| 329 | 0H26195700 | 005033 | RELE | RELE | For USA and Japan models |
| 330 | 0624807002 | 007047 | ALIMENTATORE SWITCHING | SWITCHING FEEDER | for Level A |
| 331 | 0646812900 | 0C1147 | LIMITATORE, BOILER | LIMITER, BOILER | |
| 331 | 0646810902 | 006433 | LIMITATORE, BOILER | LIMITER, BOILER | for 120V models |
| 332 | 0509803900 | 0C4459 | RIFLETTORE | REFLECTOR | |
| 333 | 0652801900 | 004010 | PORTAFUSIBILE | FUSE HOLDER | for 120V models |
| 334 | 0624400002 | 0C6945 | TRASFORMATORE | TRANSFORMER | for 120V models |
| 336 | 0543843500 | 0C5451 | GUARNIZIONE | GASKET | |
| 337 | 0638400Y00 | 0C6566 | PROLUNGA USB | USB CABLE | for Touch Level |
| 338 | 0546400200 | 0C6547 | VASCHETTA USB | USB PLUG | for Touch level |
| 339 | 0541400A00 | 0C6546 | COPERTURA USB | USB COVER | for Touch level |
| 340 | 0675858601 | 0C8033 | Tasto on-off (inter.principale) | ON-OFF (MAIN SWITCH) | For TOUCH level |
| 341 | 0648722900 | 088267 | RELE' SICUREZZA | SAFETY RELE | |
| 342 | 0831851202 | 0C4936 | ASSIEME FILTRO CRUSCOTTO | ASS. FILTER CONTROL PANEL | |
| 343 | 0549400K00 | 0C9992 | FILTRO CRUSCOTTO | FILTER CONTROL PANEL | |
| | | | Pagina 6 | Page 6 | |
| 400 | 0831849801 | 0C6016 | PORTATEGLIE DX P60 | TRAY SUPPORT DX P60 | |
| 401 | 0831849901 | 0C6017 | PORTATEGLIE SX P60 | TRAY SUPPORT SX P60 | |
| 402 | 0806872800 | 0C4961 | SUPPORTO CON S.G. | SUPPORT S.G. | |
| 403 | 0511828100 | 0C5620 | SUPPORTO | SUPPORT | |
| | | | SONDE DI TEMPERATURA | TEMPERATURE PROBES | |
| | 0830898902 | 0C6538 | SONDA CELLA (L 500) | CAVITY PROBE (L 500) | |
| | 0830899000 | 0C0325 | SONDA BOILER (L 800) | BOILER PROBE (L 800) | for Level A e B |
| | 0830899100 | 0C0326 | SONDA BYPASS (L 1200) | BYPASS PROBE (L 1200) | for Level A e B |