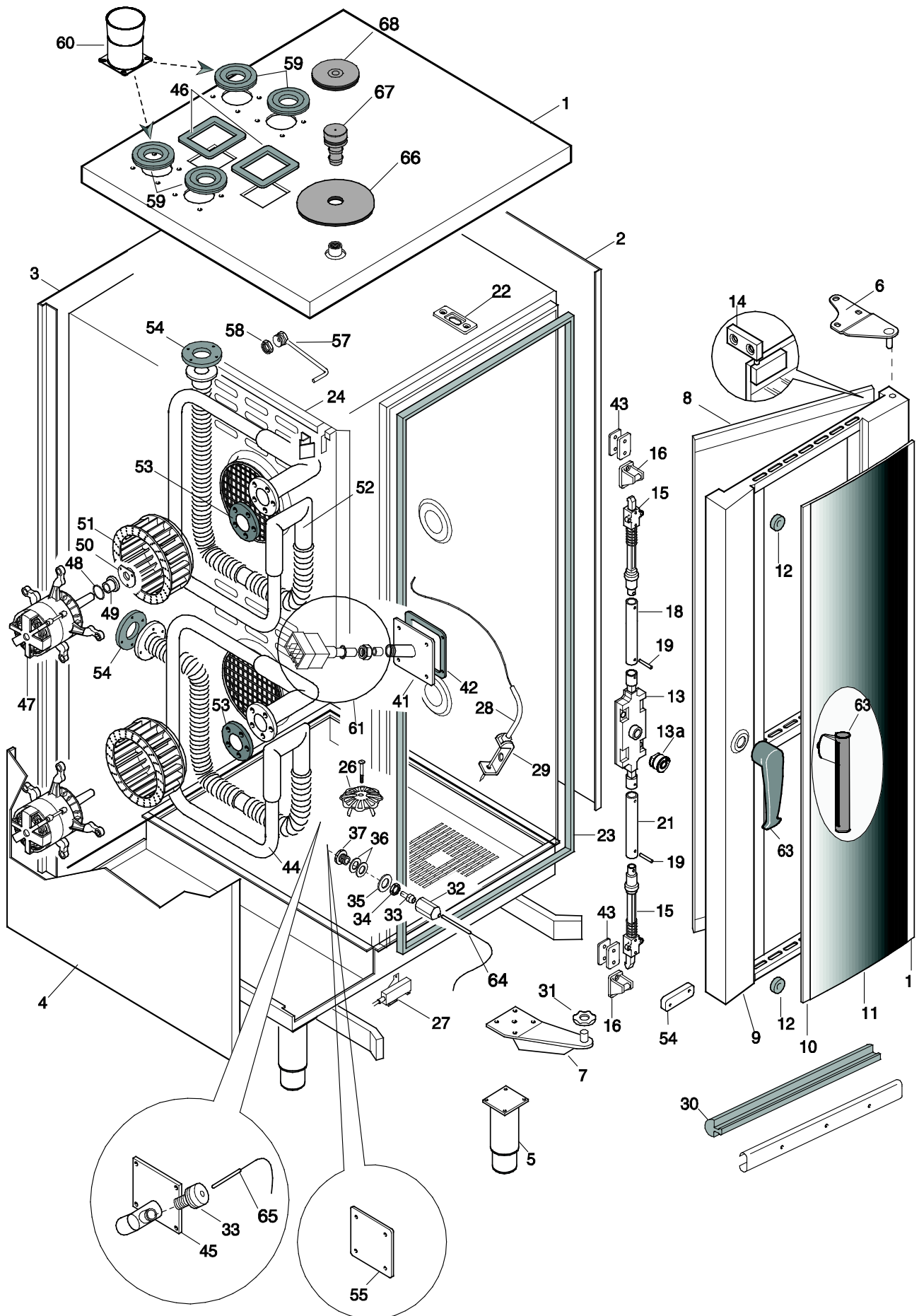
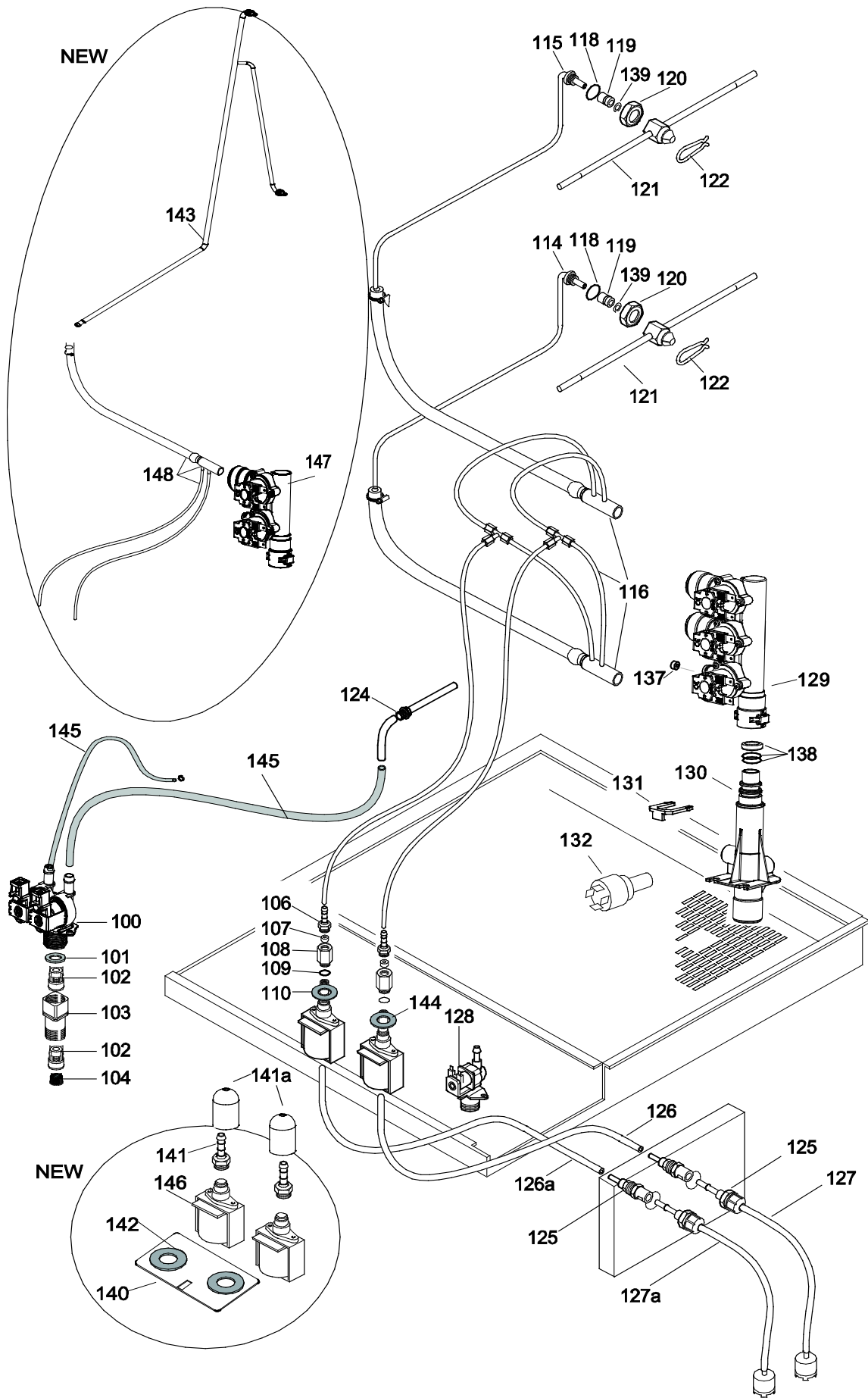


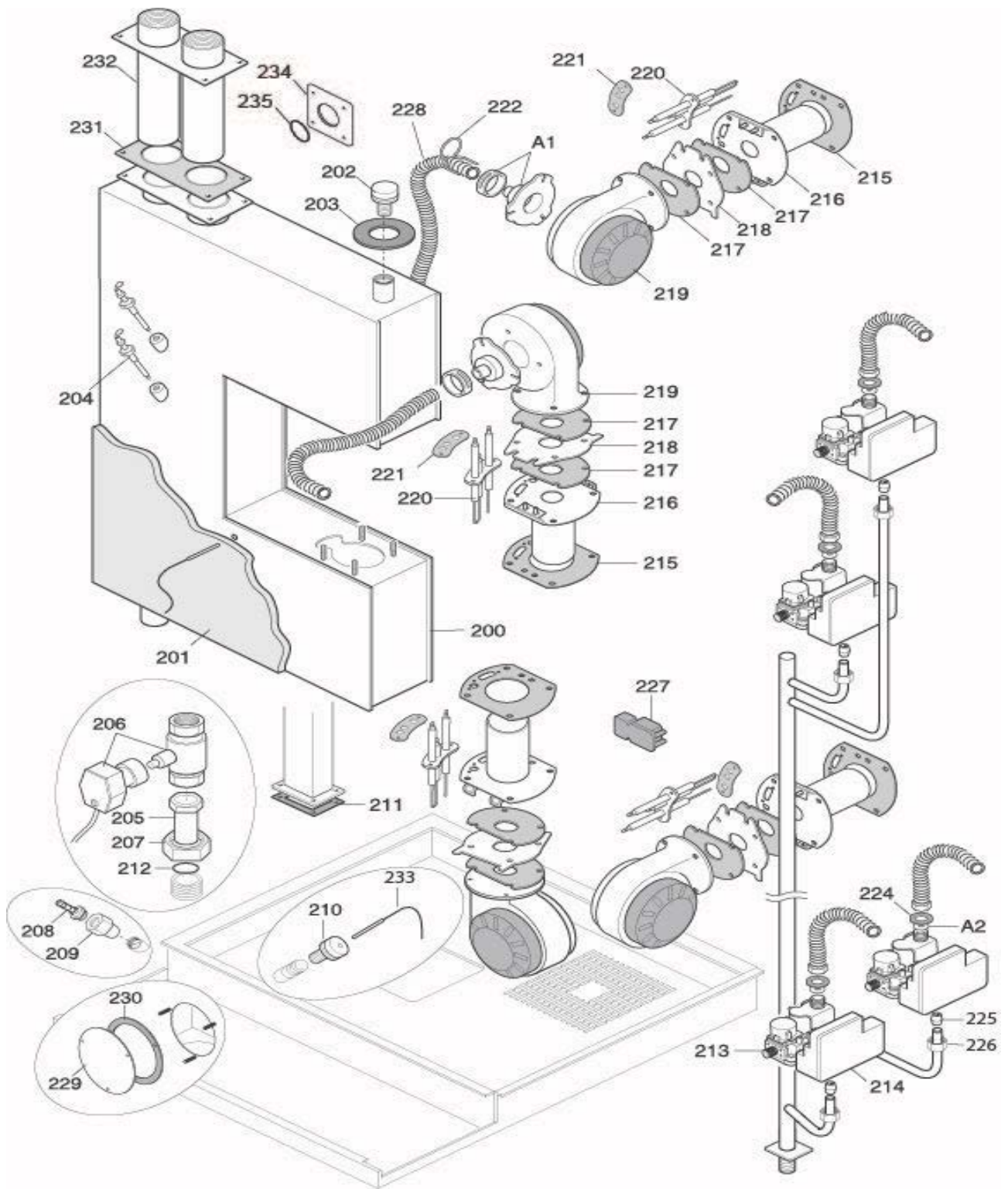
PNC	Model	Ref	Group	Level	Page	Notes
236705	FCZ202GKG2	u	FCZ	Level K	2...10	230V 50Hz STD
236715	FCZ202GKD2	v	FCZ	Level K	2...10	230V 50Hz STD
236805	FCZ202GKZA	A1	FCZ	Level K	2...10	230V 50Hz AUS
237705	FCZ202GTG	a	FCZ	Touch	2...10	230V 50Hz STD
237715	FCZ202GTD	b	FCZ	Touch	2...10	230V 50Hz LPG
237725	FCZ202GBL1	L1	FCZ	Touch	2...10	100V 50/60 HZ Japan
237805	FCZ202GTZA	B1	FCZ	Touch	2...10	230V 50Hz AUS
238705	FCZ202GBG2	c	FCZ	Level B	2...10	230V 50Hz STD
238715	FCZ202GBD2	d	FCZ	Level B	2...10	230V 50Hz LPG
238725	FCZ202GTL1	l1	FCZ	Level B	2...10	100V 50/60 HZ Japan
238805	FCZ202GBZA	C1	FCZ	Level B	2...10	230V 50Hz AUS
239705	FCZ202GCG2	e	FCZ	Level C	2...10	230V 50Hz STD
239715	FCZ202GCD2	f	FCZ	Level C	2...10	230V 50Hz LPG
239805	FCZ202GCZA	D1	FCZ	Level C	2...10	230V 50Hz AUS
266705	AOS202GKG2	s	AOS	Level K	2...10	230V 50Hz STD
266715	AOS202GKD2	t	AOS	Level K	2...10	230V 50Hz STD
266805	AOS202GKZA	E1	AOS	Level K	2...10	230V 50Hz AUS
267705	AOS202GTG1	g	AOS	Touch	2...10	230V 50Hz STD
267715	AOS202GTD1	h	AOS	Touch	2...10	230V 50Hz LPG
267755	AOS202GTP1	i	AOS	Touch	2...10	120V 60Hz USA
267785	AOS202GTW1	l	AOS	Touch	2...10	230V 50Hz UK
267805	AOS202GTZA	F1	AOS	Touch	2...10	230V 50Hz AUS
268705	AOS202GBG2	m	AOS	Level B	2...10	230V 50Hz STD
268715	AOS202GBD2	n	AOS	Level B	2...10	230V 50Hz LPG
268785	AOS202GBW2	o	AOS	Level B	2...10	230V 50Hz UK
268805	AOS202GBZA	G1	AOS	Level B	2...10	230V 50Hz AUS
269705	AOS202GCG2	p	AOS	Level C	2...10	230V 50Hz STD
269715	AOS202GCD2	q	AOS	Level C	2...10	230V 50Hz LPG
269785	AOS202GCW2	r	AOS	Level C	2...10	230V 50Hz UK
269805	AOS202GCZA	H1	AOS	Level C	2...10	230V 50Hz AUS

Pag	Index	Indice	Note
2	Oven cabinet and door.	Cella forno e porta	
3	Water system	Impianto idraulico	
4	Boiler	Boiler	
5	Electrical components	Componenti elettrici	
6	Accessories	Accessori	
7...10	Spare parts list	Lista ricambi	

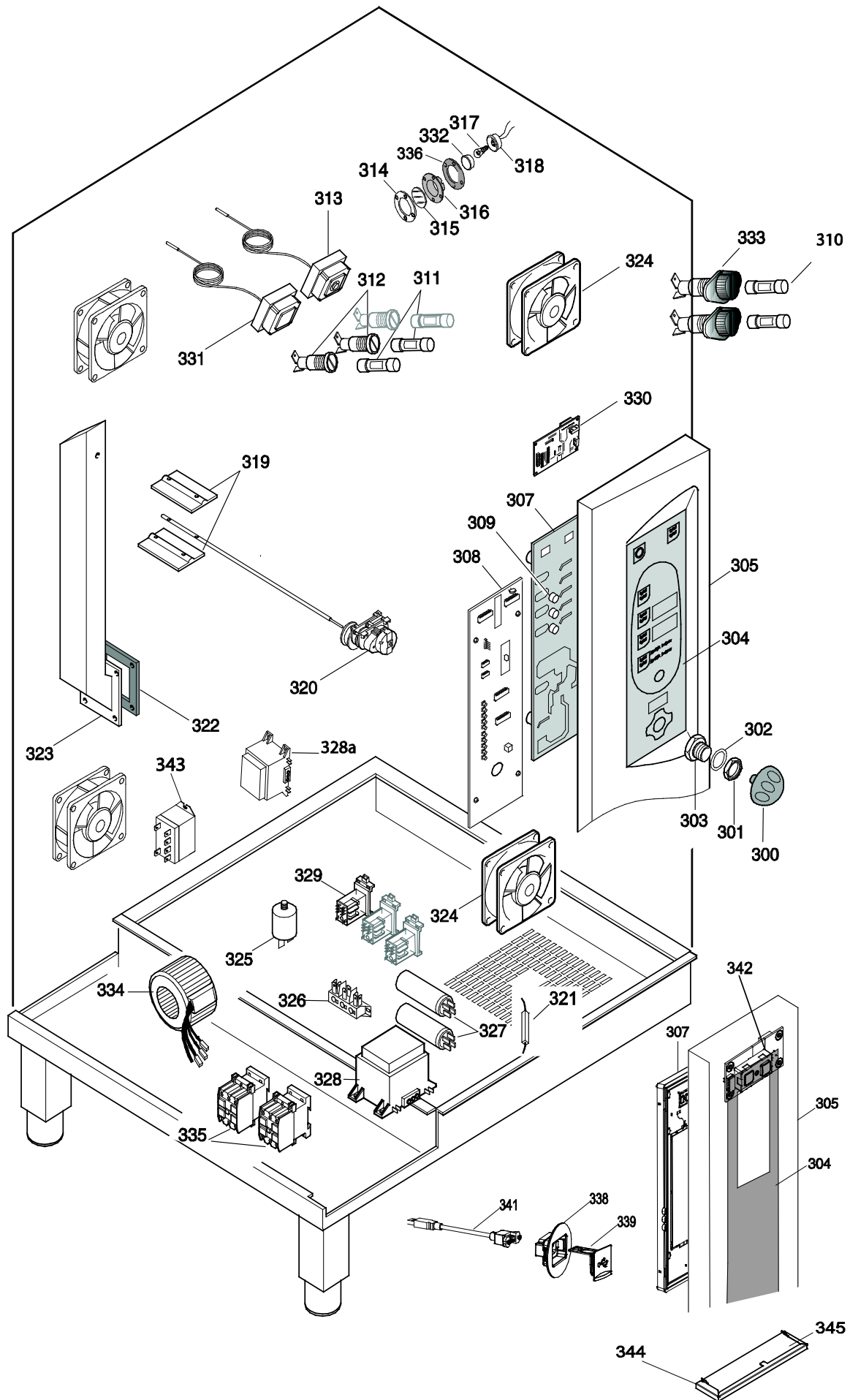
Brand/Marchio: All
 Factory code: 9PDD

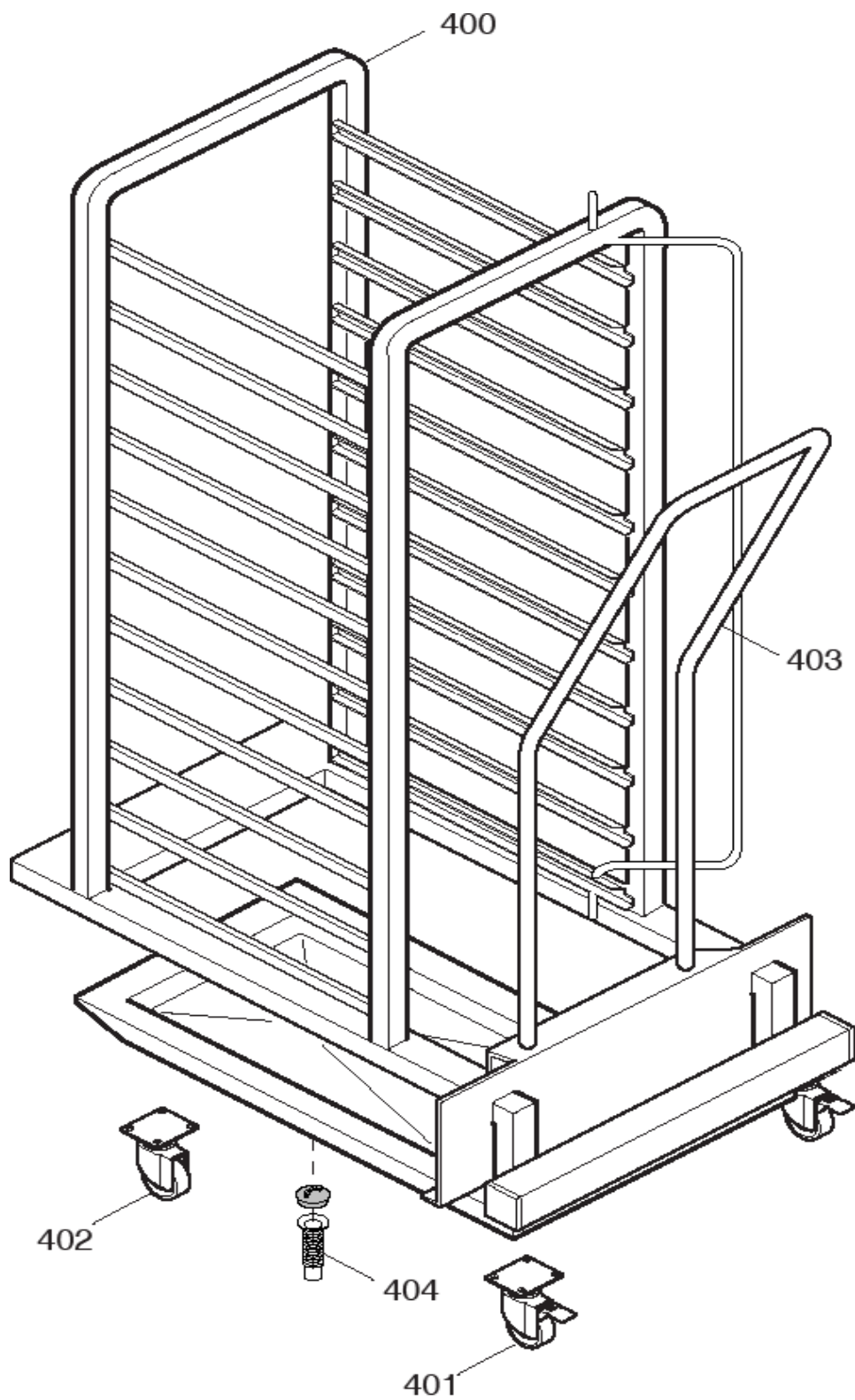






GAS	POS. A1 CELLA/CAVITY	POS. A1 BOILER	POS. A2 CELLA/CAVITY	POS. A2 BOILER	POS. 218 CELLA/CAVITY	POS. 218 BOILER
G20	OC4629 (VERDE/GREEN)	OC4629 (VERDE/GREEN)	OC1163 (ø 7.8)	OC2444 (ø 7,5)	OC4125 (ø 21)	OC4125 (ø 21)
G25	OC4629 (VERDE/GREEN)	OC4629 (VERDE/GREEN)	0538822800 (ø 9,25)	0538822700 (ø 9)	OC4125 (ø 21)	OC4125 (ø 21)
G30	OC4629 (VERDE/GREEN)	OC4629 (VERDE/GREEN)	OC2446 (ø 5.8)	OC2445 (ø 6)	OC4110 (ø 18)	OC4125 (ø 21)
LPG	OC4629 (VERDE/GREEN)	OC4629 (VERDE/GREEN)	OC4386 (ø 6,25)	OC4386 (ø 6,25)	OC4110 (ø 18)	OC4125 (ø 21)





20 GN 2/1 GAS CONVECTION / STEAMER OVEN FORNO CONVEZIONE / VAPORE GAS 20 GN 2/1					
<i>Pos</i>	<i>Factory Code</i>	<i>6DGT Code</i>	<i>Descrizione</i>	<i>Description</i>	<i>Ref./Note</i>
			Pagina 2	Page 2	
1	0530892201	0C6186	COPERCHIO	COVER	
1	0530892401	0C6188	COPERCHIO	COVER	For Lev. C,K
2	0538832101	0C6206	FIANCO DX	RIGHT SIDE PANEL	
3	0538834101	0C6208	SCHIENALE	BACK PANEL	
4	0538834601	0C6210	FIANCO SX	LEFT SIDE PANEL	
5	0806871700	0C4824	PIEDE	FOOT	
6	0512816004	007086	CERNIERA SUPERIORE	UPPER HINGE	
7	0806843301	0C2483	CERNIERA INFERIORE	LOWER HIGE	
8	0873870202	0C4870	ASS. VETRO INTERNO	ASS. INNER GLASS	
9	0873860410	0C5068	PORTA COMPLETA	COMPLETE DOOR	
10	0530873600	0C4970	PROFILO FERMAVETRO DX	RIGHT TRIM	
10	0530873700	0C4971	PROFILO FERMAVETRO SX	LEFT TRIM	
11	0574400600	0C6562	VETRO ESTERNO	EXTERNAL GLASS	For AOS
11	0574818801	0C4946	VETRO ESTERNO	EXTERNAL GLASS	For FCZ
12	0543828001	006976	AMMORIZZATORE	DAMPER	
*	0856808701	0C4119	ASSIEME CHIUSURA	ASS LOCK MECHANISM	
13	0853821500	003824	CORPO CHIUSURA	CORE DOOR LOCK MECHANISM	
13a	0806873501	0C8627	BOCCOLA	BUSH	
14	0806822000	007007	CERNIERA VETRO INTERNO	HINGE, INNER GLASS	
15	0853821600	003822	MECCANISMO DI ESTREMITA'	HOOK	
16	0538804900	0C3802	NASELLO CHIUSURA PORTA	CATCH DOOR CLOSING	
18	0513800501	0C4309	ASTA SUPERIORE	SUP. LEVER DOOR LOCK MEC.	
19	0214593100	0H6043	SPINA ELASTICA	SPRING COTTER	
20					
21	0513801100	0C4310	ASTA INFERIORE	INF. LEVER DOOR LOCK MEC.	
22	0543839700	0C4088	GUARNIZIONE FLANGIA SPILLONE	GASKET	
23	0543835100	0C1889	GUARNIZIONE CELLA	CAVITY GASKET	
24	0831847404	0C4623	PARETE DI ASPIRAZIONE	SUCTION WALL	
25	0518807301	0C3423	MOLLA AGGANCIO PARETE	SPRING	
26	0518808700	0C2769	FILTRO FONDO	FILTER	
27	0654600000	049621	INTERRUTTORE MAGNETICO	MAGNETIC SWITCH	
28	0830400B00	0C6574	SONDA SPILLONE 6 PUNTI	MEAT PROBE (6 POINTS)	For Level Touch
28	0830400A00	0C6573	SONDA SPILLONE SINGOLO	MEAT PROBE (SINGLE POINT)	For Level B, C,K
29	0527865200	0C1505	SUPPORTO SPILLONE	MEAT PROBE SUPPORT	
30	0543838001	0C4131	GUARNIZIONE	GASKET	
31	0510815700	002653	POSIZIONATORE	POSITIONER	
32	0516855300	006991	DADO SONDA CELLA	NUT, CAVITY PROBE	
33	0543842600	0C4872	TAPPO PER SENSORE	STOPPER FOR SENSOR	
34	0214105101	020997	CONTRODADO	LOCK NUT	
35	0508838701	002700	RONDELLA	WASHER	
36	0543816300	002624	TENUTA	GASKET	
37	0516809400	002623	RACCORDO SONDA CELLA	CONNECTION, CAVITY PROBE	
41	0806857201	0C4244	CONDOTTO SONDA LAMBDA	DUCT, LAMBDA PROBE	For Level Touch
42	0543838300	0C4093	GUARNIZIONE	GASKET	
43	0538807400	0C4122	DISTANZIALE 20/10	SPACER 20/10	
44	0831829800	0C4327	ASS.SCAMBIATORE INFERIORE	LOWER HEAT HEXCHANGER	
45	0806856300	0C4311	CONDOTTO BY-PASS	BY-PASS DUCT	For Level B
46	0543832100	0C1194	GUARNIZIONE CONDOTTO ARIA	GASKET AIR DUCT	
47	0611810000	0C6563	MOTORE	MOTOR	
47	0611400000	0C6703	MOTORE	MOTOR	For120V 60Hz, Japan Version
48	0543816700	002873	O RING	O RING	
49	0516808902	002699	CUSCINETTO	BEARING	
50	0538815401	0C4138	FLANGIA	FLANGE	
51	0835400900	0C6464	VENTOLA	FAN	
52	0831829701	0C4299	ASS.SCAMBIATORE SUP	UPPER HEAT HEXCHANGER	
53	0543830700	0C1036	GUARNIZIONE FLANGIA SCAMB	GASKET	

20 GN 2/1 GAS CONVECTION / STEAMER OVEN FORNO CONVEZIONE / VAPORE GAS 20 GN 2/1					
Pos	Factory Code	6DGT Code	Descrizione	Description	Ref./Note
54	0543833200	0C2208	GUARNIZIONE TUBO SCAMBIAT	GASKET	
55	0527898900	0C4857	PIASTRA CHIUSURA	FLANGE	For Level C,K
56	0699603700	049627	MAGNETE	MAGNET	
57	0856828501	0C4976	CONDOTTO UMIDIFICATORE	HUMIDIFIER PIPNG	For Level C,K
58	0516887101	0C6228	DADO CONDOTTO	NUT HUMIDIFIER	For Level C,K
59	0560847200	0C7015	GUARNIZIONE CAMINO	GASKET	
60	0856810703	0C4868	ADATTATORE CAMINO	CHIMNEY	For Australia Version
61	-	0C6465	KIT SONDA LAMBDA	LAMBDA KIT	for level TOUCH
63	0806873601	0C8719	MANIGLIA COMPLETA	COMPLETE DOOR HANDLE	for FCZ Group
63	0830400200	0C6568	MANIGLIA COMPLETA	COMPLETE DOOR HANDLE	for AOS Group
64	0830898902	0C6538	SENSORE TEMPERATURA	TEMP. PROBE	
65	0830899101	0C6539	SENSORE TEMPERATURA	TEMP. PROBE	
66	0543400900	0C7016	GUARNIZIONE PER TUBO	PIPE GASKET	
67	0543816601	002692	TAPPO CARICO DISINCROST.	RECHARGE CAP FOR SCALER	
68	0543843201	0C4965	GOMMINO CHIUSURA ING.DISIN	GASKET	
			Pagina 3	Page 3	
100	0696808400	0C5517	ELETTROVALVOLA 2 VIE	WATER VALVE 2 WAYS	for Level Touch,B
101	0543840600	0C4096	GUARNIZIONE FILTRO REFLEX	GASKET	for Level Touch,B
102	0549801800	0C2312	VALVOLA NON RITORNO	NOT RE-FLOW VALVE	for Level Touch,B
103	0516879400	0C2313	RACCORDO ENTRATA ACQUA	PIPE FITTING	for Level Touch,B
104	0543840600	0C4096	ASSIEME FILTRO	FILTER	
106	0516896102	0C4198	PORTAGOMMA	CONNECTION	
107	0544809000	0C1117	VALVOLA NON RITORNO OF10D	VALVE	
108	0516871900	0C1116	RACCORDO PER POMPA	PUMP CONNECTION	
109	0543832300	0C1935	O. RING	OR	
110	0680801201	0C2341	POMPA	PUMP	for 50 Hz
	-		KIT POMPA	PUMP KIT	For 50 Hz
	-		0C2341+0C1116+0C1935	0C2341+0C1116+0C1935	
114	0806871200	0C5430	ASS CONDOTTO BASSO	WASHING PIPING DOWN	
115	0806871000	0C6050	ASS.CONDOTTO ALTO	WASHING PIPING UP	
116	0805400A00	0C6212	ASS. COLLETORE + TUBI	COLLECTOR+PIPING	Up to 145...
116	0805400A03	0C8185	ASS. COLLETORE + TUBI	COLLECTOR+PIPING	From 146...
117					
118	0543841400	0C4201	ANELLO DI TENUTA	OR	
119	0516898301	0C4467	ATTACCO PER GETTO	CONNECTION FOR WASH ARM	
120	0516892301	0C4202	DADO	NUT	
121	0806873900	0C5503	ASSIEME GETTO ROTANTE	ROTATING WASHING JET	
122	0518807100	007026	MOLLA AGGANCIO GETTO ROTA	SPRING	
123					
124	0H22982800	007075	TUBO UMIDIFICATORE 57X2/5	PIPING	for Level Touch,B
124	0856828700	0C4978	TUBO UMIDIFICATORE	PIPING	for Level C,K
125	0831811702	0C1127	GRUPPO COLLEGAMENTO EXT.	EXTERNAL PIPING	
126	-	0C9799	TUBO FLESS. 6x8mm rosso	FLEX PIPE 6x8mm red	
126a	-	0C9800	TUBO FLESS. 6x8mm blu	FLEX PIPE 6x8mm blue	
127	-	0C9797	TUBO FLESS. 4x6mm rosso	FLEX PIPE 4x6mm red	
127a	-	0C9798	TUBO FLESS.4x6mm blu	FLEX PIPE 4x6mm blue	
128	0696808200	0C5515	ELETTROVALVOLA	WATER VALVE	for Level C,K
128	0696808801	0C6170	ELETTROVALVOLA	WATER VALVE	for Level B
129	0696400400	0C6407	GRUPPO VALVOLE CLEANYNG	VALVE GROUP C.S.	for Level C,K
129	0696400200	0C6371	GRUPPO VALVOLE CLEANYNG	VALVE GROUP C.S.	For 60Hz
129	0696808700	0C6372	GRUPPO VALVOLE CLEANYNG	VALVE GROUP C.S.	For level TOUCH,B
130	0831857200	0C6370	ASSIEME COLLETORE LAVAGGIO	CONNECTION,C.S.	
131	0546825100	0C6222	FORCELLA SICUREZZA	CLIP	
132	0646817200	0C6217	PRESSOSTATO ATTACCO RAPID	CONNECTION FOR WASH	
137	-	0C6375	KIT RIDUTTORI	FLOW REDUCER KIT	
138	-	061303	KIT O-RING +BUSSOLA	O-RING +BUSH KIT	

20 GN 2/1 GAS CONVECTION / STEAMER OVEN FORNO CONVEZIONE / VAPORE GAS 20 GN 2/1					
<i>Pos</i>	<i>Factory Code</i>	<i>6DGT Code</i>	<i>Descrizione</i>	<i>Description</i>	<i>Ref./Note</i>
139	0219035015	0C6421	ANELLO ELASTICO	ELASTIC RING	
140	0505401R00	0C7924	PIASTRINA FISSAGGIO POMPE	FIXING PLAQUE	
141	0544400C01	0C8348	VITE TTL	TTL SCREW	Up to 5151... From 5161...
141	0544400C02	0CA348	VITE TTL	TTL SCREW	
141a	0546400J00	0C9538	CAPPUCCIO DI PROT.	PROTECTION CAP	
142	0543400R00	0C7925	PASSACAVO	WIRING BUSH	
143	0805402400	0C8328	TUBO EXT	EXT. PIPE	
144	0246530100	005382	GOMMINO	GASKET	
145	0544819400	0C5829	TUBO EPDM BLU	EPDM PIPE	
146	0686400100	0C8347	POMPA DEFOND PHOENIX	PHOENIX DEFOND PUMP	Up to 4441...
146	0686400201	0CA112	POMPA CEME	CEME PUMP	From 4451...
147	0835400L00	0C8683	GRUPPO ENTRATA ACQUA	GROUP WATER INLET	
147	0835400M00	0C8684	GRUPPO ENTRATA ACQUA	GROUP WATER INLET	For level C,K
148	0805400A02	0C8185	ASS. COLLETORE + TUBI	COLLECTOR+PIPING	
			Pagina 4	Page 4	
200	0878401D00	0C9669	KIT ASSIEME BOILER	BOILER ASS.Y KIT	for Level Touch, B
201	0560853203	0C4132	KIT ISOLAMENTO	KIT ISOLATION	for Level Touch, B
202	0543816601	002692	TAPPO	STOPPER	for Level Touch, B
203	0543817500	002634	GUARNIZIONE	GASKET	for Level Touch, B
204	0830890500	007033	SONDA DI LIVELLO	LEVEL PROBE	for Level Touch, B
205	0516868600	0C1063	RACCORDO PER VALVOLA	CONNECTION	
206	0696804201	0C0882	VALV.SFERA MOTORIZZATA	DRAIN VALVE	
206	0696808500	0C5518	VALV.SFERA MOTORIZZATA	DRAIN VALVE	For USA models
207	0511817600	0C1062	MANICOTTO RIDOTTO	CONNECTION	
208	0510828000	0C5564	RESCA D12 FILETT 1/4' GAS	PIPE CONNECTION	
209	0516889400	0C3797	UGELLO 'ELPIS'1/4'FD3.5-3/8'M	NOZZLE	
210	0543842600	0C4872	TAPPO PER SENSORE	STOPPER FOR SENSOR	
211	0543832400	0C4133	GUARNIZIONE AIR BREAK	AIR BREAK GASKET	
212	0543816800	002874	ANELLO DI TENUTA OR	OR	
213	0835859601	0C1057	VALVOLA GAS	GAS VALVE	
213	0835867200	0C1879	VALVOLA GAS	GAS VALVE	for 120V 60 Hz Models
214	0624810800	0C4260	CENTRALINA GAS	ELECTRONIC GAS CONTROL	
215	0543838200	0C4101	GUARNIZIONE BRUCIATORE LWZ	GASKET	
216	0831827502	0C4289	BRUCIATORE	BURNER	
217	0543838100	0C4102	GUARNIZIONE PER VENTILATORE	FAN GASKET	
219	0611808300	0C4103	VENTILATORE	FAN	
220	0831846500	0C4462	CANDELINA DI ACC. E RIL.	IGNITION ROD	
221	0543841100	0C4104	GUARNIZIONE CANDELINA	ROD GASKET	
222	0518807600	0C1044	MOLLA FISS.CONDUTTURE A M	SPRING	
223					
224	0543831900	-	GUARNIZIONE	GASKET	
225	0515801715	052671	BICONO X TUBO DA 16	SEAL	
226	0516847000	0C1058	DADO 3/4"-DIA.16	NUT	
227	0624810600	0C4105	ACCENDITORE BRAHMA	IGNITION BOARD	
228	0517877001	0C1084	CONDUTTURA L= 330 MM	PIPING, GAS L= 330 MM	
229	0J89061403	0C3443	PORTELLO ISPEZIONE	INSPECTION COVER	
230	0543400000	0C7033	GUARNIZIONE PORTELLO	GASKET	for level TOUCH
231	0560855200	0C6060	GUARNIZIONE CAMINO	GASKET	
232	0873877100	0C4799	TURBOLATORE	FLANGE	
234	0527899100	0C4858	FLANGIA CHIUSURA FORO BOILER	FLANGE	For Lev. C,K
235	0543843100	0C4964	GUARN. CHIUSURA FORO BOILER	GASKET	For Lev. C,K
234	0538806602	0C4142	FLANGIA CHIUSURA FORO BOILER	FLANGE	For Lev.TOUCH,B
235	0543832500	0C3128	GUARN.CHIUSURA FORO BOILER	GASKET	For Lev.TOUCH,B
			Pagina 5	Page 5	
300	0806874001	0C5600	MANOPOLA	HANDLE	

20 GN 2/1 GAS CONVECTION / STEAMER OVEN FORNO CONVEZIONE / VAPORE GAS 20 GN 2/1					
<i>Pos</i>	<i>Factory Code</i>	<i>6DGT Code</i>	<i>Descrizione</i>	<i>Description</i>	<i>Ref./Note</i>
301	0214114900	051263	CONTRODADO	LOCK NUT	
302	0508836400	002727	RONDELLA	DISK	
303	0516807301	002662	BOCCOLA	BUSH	
304	0548400600	0C6550	MEMBRANA LIV.TOUCH	LAYER LEV. TOUCH	AOS Ver.
304	0548400B00	0C6551	MEMBRANA LIV.TOUCH	LAYER LEV. TOUCH	FCZ Ver.
304	0548400G00	0C6554	MEMBRANA LIV.B	LAYER LEV. B	for Level B AOS Ver.
304	0675855001	0C4948	MEMBRANA LIV.B	LAYER LEV. B	for Level B FCZ Ver.
304	0548400K00	0C6557	MEMBRANA LIV.C	LAYER LEV. C	for Level C AOS Ver.
304	0675855102	0C4949	MEMBRANA LIV.C	LAYER LEV. C	for Level C FCZ Ver.
304	0548401H00	0C8707	MEMBRANA LIV.TOUCH "K"	LAYER LEV, TOUCH "K"	For level touch "K" AOS ver.
305	0875401B01	0C7032	CRUSCOTTO + MEMBRANA TOUCH	CONTROL PANEL + LAYER TOUCH	for TOUCH AOS Group
305	0870400Q00	0C6598	CRUSCOTTO TOUCH (NO MEMBRANA)	CONTROL PANEL TOUCH (NO LAYER)	for TOUCH FCZ Group
305	0870800B01	0C6588	CRUSCOTTO. LIV. TOUCH (NO MEMBR.)	CONT.PANEL LEV. TOUCH (NO LAYER)	for Level TOUCH AOS Group
305	0870400Q00	0C6598	CRUSCOTTO LIV. TOUCH(NO MEMBR.)	CONT.PANEL LEV. TOUCH (NO LAYER)	for Level TOUCH FCZ Group
305	0870400C00	0C6589	CRUSCOTTO LIV. B (NO MEMBR.)	CONT.PANEL LEV. B (NO LAYER)	for Level B AOS Ver.
305	0873896902	0C4911	CRUSCOTTO LIV. B (NO MEMBR.)	CONT.PANEL LEV. B (NO LAYER)	for Level B FCZ Ver.
305	0870400R00	0C6599	CRUSCOTTO LIV. C (NO MEMBR.)	CONT.PANEL LEV. C (NO LAYER)	for Level C AOS Ver.
305	0873897002	0C4912	CRUSCOTTO LIV. C (NO MEMBR.)	CONT.PANEL LEV. C (NO LAYER)	for Level C FCZ Ver.
305	0875401R00	0C8708	CRUSCOTTO LIV. TOUCH "K" CON MEMBRANA	CONT.PANEL TOUCH "k" WITH LAYER	For level Touch "K" AOS vers.
307	675400A00	0C6571	SCHEDA USER INTERFACE LIV.TOUCH	USER INTERF. BOARD, LEV. TOUCH	for Level TOUCH,K up to 2441...
307	675400P01	0C8805	SCHEDA USER INTERFACE LIV.TOUCH	USER INTERF. BOARD, LEV. TOUCH	for Level TOUCH,K from 2451... up to 4481...
307	675400P03	0CA070	SCHEDA USER INTERFACE LIV.TOUCH	USER INTERF. BOARD, LEV. TOUCH	for Level TOUCH,K from 4491...
307	0675838802	0C0041	SCHEDA USER INTERFACE LIV. B	USER INTERF. BOARD, LEV. B	for Level B
307	0675854600	0C4891	SCHEDA USER INTERFACE LIV. C	USER INTERF. BOARD, LEV. C	for Level C
307	0675854602	0C7350	SCHEDA USER INTERFACE LIV.C(1/2VEL)	USER INTERF.BOARD,LEV.C. (1/2SPEED)	for Level C (start s/n 120...)
308	0675400801	0C6570	SCHEDA POWER	MAIN POWER	for Level TOUCH,K for Level B
308	0675837812	0C0042	SCHEDA POWER	MAIN POWER	for Level B
308	0675854501	0C4890	SCHEDA POWER	MAIN POWER	for Level C
309	0546824600	0C5833	PROLUNGA PULSANTE	PROLONG	
310	0652804700	0C7590	FUSIBILE F 20A 10x38	FUSE F 20A 10x38	for 120V models
310	0652400400	0C9860	FUSIBILE 40A	FUSE 40A	for Japan models
311	0652802200	005136	FUSIBILE RAPIDO 16 A	FUSE FAST 16 A	
311	0652803900	0C2301	FUSIBILE OMEGA 800MA	FUSE OMEGA 800MA	
311	0652805300	0C2237	FUSIBILE 6.3A FAST 5X20	FUSE 6.3A FAST 5X20	for 120V models
311	0652803300	0C1480	FUSIBILE RAPIDO 6.30 A	FUSE FAST 6.3 A	for 120V ,Japan models
311	0652803200	0C2953	FUSIBILE 5X20 2,5A T	FUSEOMEGA 5X20 2,5A T	for 120V,Japan models
312	0652802100	0F0031	PORTAFUSIBILE	FUSE HOLDER	
313	0646812200	007042	LIMITATORE, CELLA	LIMITER, CAVITY	
313	0646810802	006314	LIMITATORE, CELLA	LIMITER, CAVITY	for 120V models
314	0508840801	002628	FLANGIA	FLANGE	
315	0574804900	002627	VETRO	GLASS	
316	0543842000	002626	GUARNIZIONE	GASKET	
317	0660808300	0C4396	LAMPADA ALOGENA	HALOGEN LAMP	Up to 4361...
317	0660400100	0C9877	LAMPADA ALOGENA	HALOGEN LAMP	From 4371...
318	0660806800	007105	PORTALAMPADA	LAMP HOLDER	
319	0538804000	0C1169	FARFALLA	CLOSER	
320	0680802300	0C5501	MOTORIDUTTORE	MOTOREDUCER	
320	0680802400	0C5502	MOTORIDUTTORE	MOTOREDUCER	for 120V models

20 GN 2/1 GAS CONVECTION / STEAMER OVEN FORNO CONVEZIONE / VAPORE GAS 20 GN 2/1					
Pos	Factory Code	6DGT Code	Descrizione	Description	Ref./Note
321	0542800500	0C4775	INDUTTANZA	INDUCTANCE	for 120V 60 Hz, Japan models
322	0543832200	0C1168	GUARNIZIONE	GASKET	
323	0831806402	0C1219	CONDOTTO ARIA	DUCT, AIR	
324	0624811000	0C4106	VENTILATORE	FAN	
325	0694805900	0C4950	FILTRO ANTIDISTURBO	FILTER	
326	0639804900	046357	MORSETTIERA	TERMINAL BOARD	
326	0639808700	0F0035	MORSETTIERA	TERMINAL BOARD	For Japan Version
327	0694802700	0C1187	CONDENSATORE 15 Mf	CAPACITOR	for level Touch, B
327	0694800700	0C1186	CONDENSATORE 31,5 Mf	CAPACITOR	
327	0694802101	0C4813	CONDENSATORE 80 Mf	CAPACITOR	For 120V models
327	0694804601	0C4812	CONDENSATORE 60 MF	CAPACITOR	For 120V models
328	0624400100	0C6895	TRASFORMATORE	TRANSFORMER	Up to 329100..
328	0624400900	0C9557	TRASFORMATORE	TRANSFORMER	From to 330100..
328	0624807100	0C6945	TRASFORMATORE	TRANSFORMER	for 120 models
328	0624400B00	0C9857	TRASFORMATORE	TRANSFORMER	for Japan Version
328a	0624400C00	0C9703	150VA 100/200/230V 10.5/24V 50/60HZ TRASFORMATORE	150VA 100/200/230V 10.5/24V 50/60HZ TRANSFORMER	for Japan Version
329	0648803001	058857	RELE	RELE	for Level Touch, B
329	0648723800	088086	RELE	RELE	for 120V 60Hz models
329	0648802601	056466	RELE	RELE	for 120V 60Hz models
329	0648808000	0C1883	RELE	RELE	for 120V 60Hz
330	0624807002	007047	ALIMENTATORE SWITCHING	SWITCHING FEEDER	for Level Touch
331	0646812900	0C1147	LIMITATORE, BOILER	LIMITER, BOILER	
331	0646810902	006433	LIMITATORE, BOILER	LIMITER, BOILER	for 120V models
332	0509803900	0C4459	RIFLETTORE	REFLECTOR	
333	0652801900	004010	PORTAFUSIBILE	FUSE HOLDER	for 120V models
334	0624807901	0C0886	TRASFORMATORE	TRANSFORMER	for 120V models
335	0648808500	0C2247	CONTATTORE	CONTACTOR	for 120V,Japan models
336	0543843500	0C5451	GUARNIZIONE	GASKET	
338	0546400200	0C6547	VASCHETTA USB	USB PLUG	for touch level
339	0541400A00	0C6546	COPERTURA USB	USB COVER	for Touch level
341	0638400Y00	0C6566	PROLUNGA USB	USB CABLE	for Touch level
342	0675858601	0C8033	TASTO ON-OFF (INTER.PRINCIPALE)	ON-OFF (MAIN SWITCH)	For TOUCH level
343	0648722900	088267	RELE' SICUREZZA	SAFETY RELE	
343	0648723800	088086	RELE' SICUREZZA	SAFETY RELE'	For Japan Version
344	0831851301	0C4937	ASSIEME FILTRO CRUSCOTTO	ASS. FILTER CONTROL PANEL	
345	0549400K00	0C9992	FILTRO CRUSCOTTO	FILTER CONTROL PANEL	
			Pagina 6	Page 6	
400	0853861303	0C1197	CARRELLO PORTA TEGLIE (P63)	TROLLEY (P63)	For P 60 Version
401	0835865000	0C1631	RUOTA CON FRENO	WHEEL WITH BRAKE	
402	0835865800	0C2216	RUOTA	WHEEL	
403	0517878001	0C4682	MANIGLIA	HANDLE	
404	0H21503300	006309	PILETTA DI SCARICO	DRAIN	
			SONDE DI TEMPERATURA	TEMPERATURE PROBES	
	0830898902	0C6538	SONDA CELLA (L 500)	CAVITY PROBE (L 500)	
	0830899000	0C0325	SONDA BOILER (L 800)	BOILER PROBE (L 800)	
	0830899100	0C0326	SONDA BYPASS (L 1200)	BYPASS PROBE (L 1200)	