



# CABINETS PREMIUM

## Dual temperature R290

PNC	Avv. Model		Ref.	Page
727318	14/14	FV Dual 1/2 doors -2°/-2°C R290 Dig A304 Elux	a	2, 3, 4
727386	14/14	FV Dual 1/2 doors -2°/-2°C R290 Dig A304 Elux UK	c	2, 3, 4
728691	14/14	FV Dual 1/2 doors -2°/-2°C R290 Dig A304 Apx	b	2, 3, 4
728737	11/11	FV Dual 1/2 doors -2°/-2°C R290 Dig A304 Elux UK	d	2, 3, 4

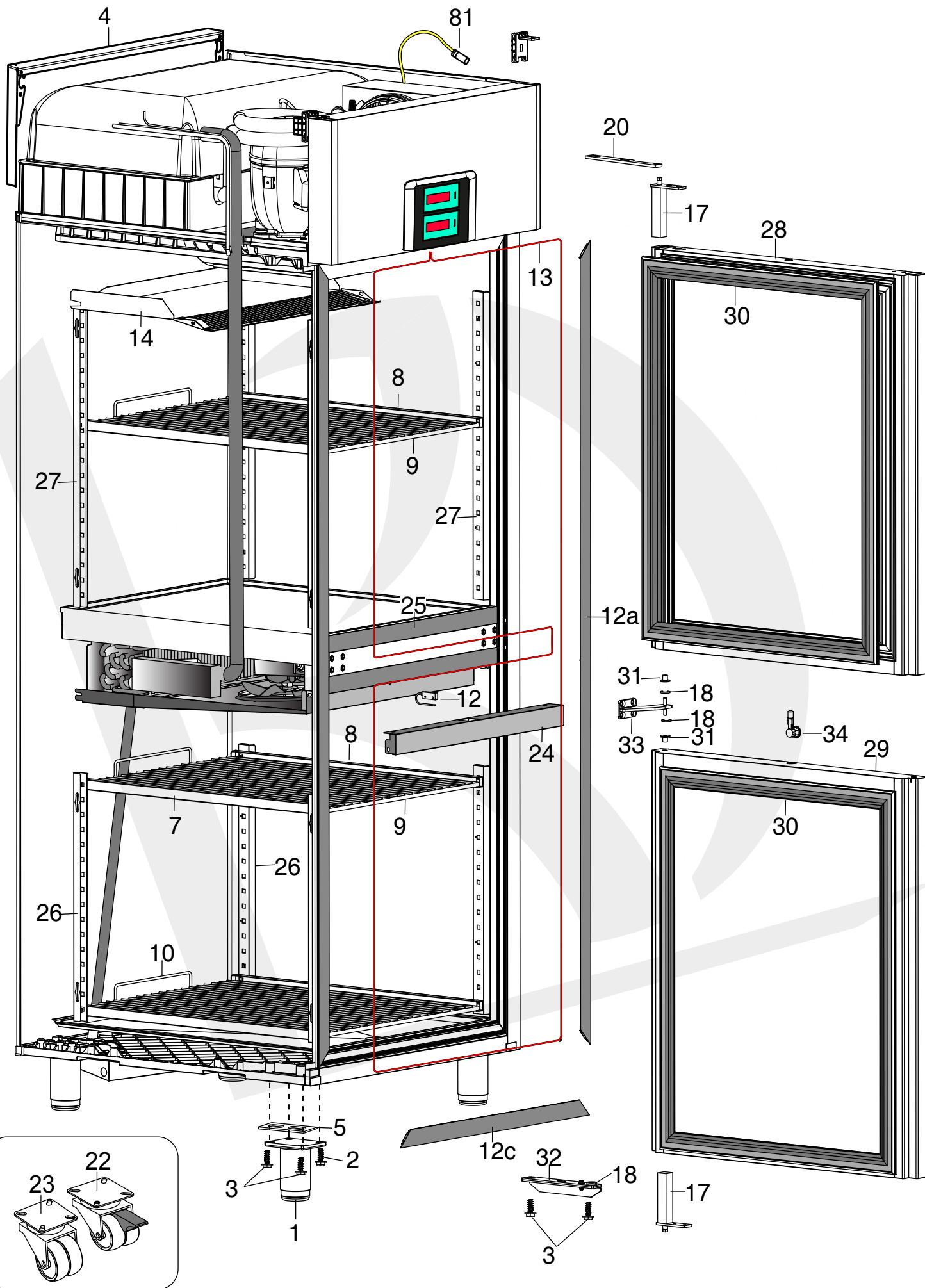
**Note:** per la corretta identificazione dei componenti, attenersi esclusivamente alle pagine indicate e alla lettera di riferimento.

**Note:** for the correct identification of the components, follow the indicated pages and the reference letter

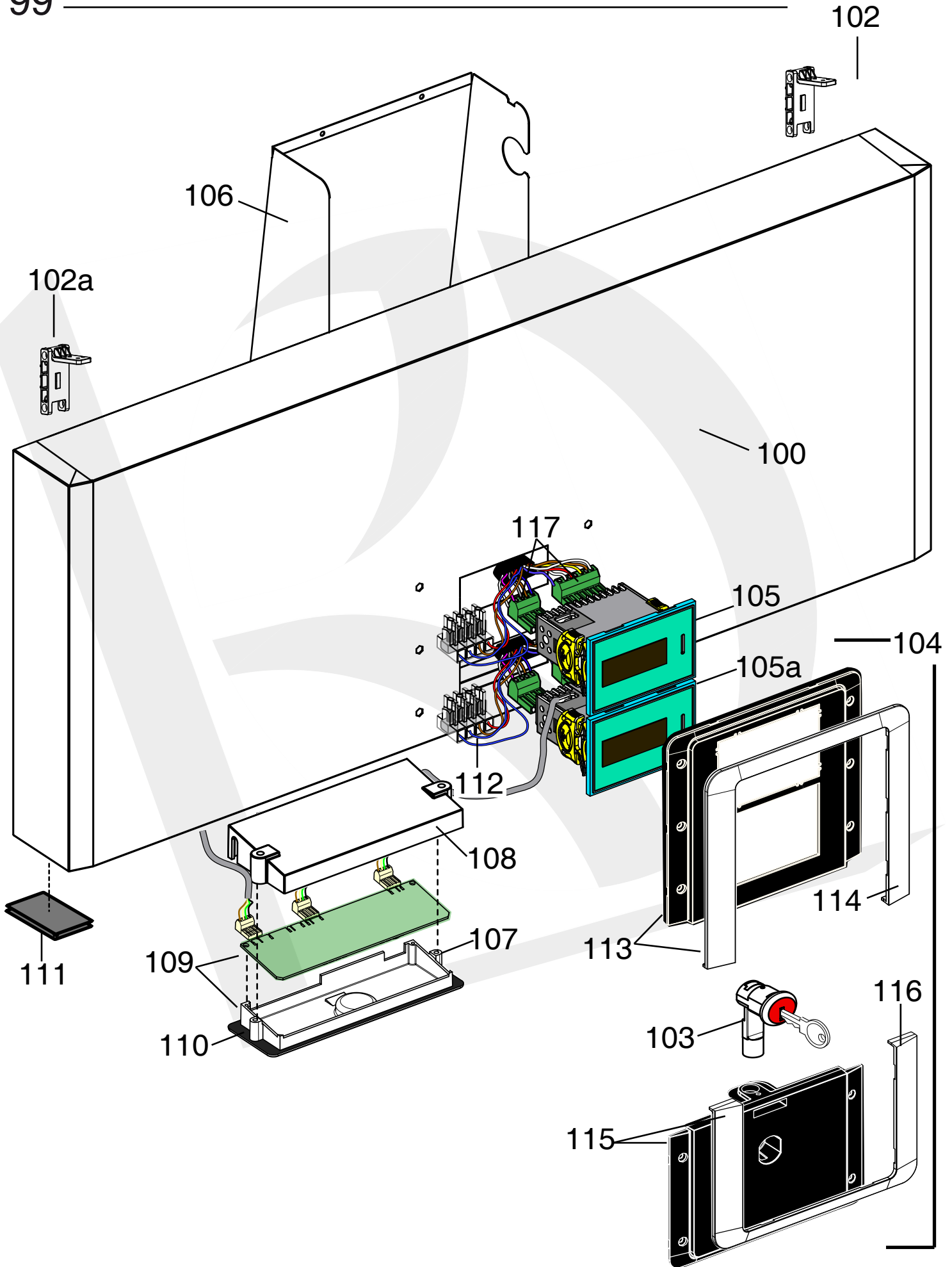
**Note:**

From October 2012 the component on page 6 (pos.60) has been updated  
 From March 2013 the components on page 6 (pos.65-65a) have been updated  
 From November 2014 the components on pages 5-6 (pos.40-48) have been updated

Pag.	Index	Indice
2	Cabinet and door	Armadio e porta
3	Cooling unit assembly	Gruppo refrigerante
4	Control panel	Pannello comandi
5,6,7,8	Spare parts list	Lista ricambi







PNC	Ref.	PNC	Ref.	PNC	Ref.	PNC	Ref.	PNC	Ref.	PNC	Ref.	PNC	Ref.
727318	a	728691	b	727386	c	728737	d						

Pos	Spare parts code	Factory code	Descrizione	Description	Ref - Note
1	093243	541R05001	Piedino	Foot	
2	090144	514747100	Vite per plastica per piedino	Screw ( use by fix foot)	
3	093246	518708601	Vite M8x20 per fiss. staffa sup/inf	Screw M8X20 ( use by fix bracket)	
4	093247	502R17400	Staffa supporto fianchi	Side support	
5	093248	546R22800	Distanziale per piede	Foot spacer	
7	093358	501R48000	Guida Sx	Left support	
8	093359	501R48200	Guida Dx	Right support	
9	093252	514R10600	Griglia 2/1 rilsan	Grid 2/1rilsan	a,c,d
9	093360	514R10700	Griglia 2/1 aisi 304	Grid 2/1 aisi 304	b
10	093253	514R12200	Griglia di fondo rilsan	Bottom grid rilsan	a,c,d
10	093296	514R12100	Griglia di fondo aisi 304	Bottom grid aisi 304	b
11	*	515R13802	Raccordo per capillare	Joint capillary	
12	092319	640R01402	Micro porta inferiore	Lower door switch	
12a	093254	832R09001	Cornice orrizzontale	Orrizzontal frame	
12c	093256	832R09300	Cornice verticale 1/2 porte	Vertical frame 1/2 doors	
13	093362	67R07300	Cavo riscaldante cornice 11,34 W	Heating cable frame 11,34 W	
14	093460	501R56000	Carter interno	Internal protection	
17	082219	835704001	Cerniera porta	Hinge door	
18	093517	546R23100	Boccola per porta	Door bush	
20	082257	505723801	Staffa superiore porta	Upper stirrup door	
21	093269	541R05400	Tappo per cerniere	Hole hinge plug	
22	093575	835R24900	Ruota rotante con freno	Brake weel	
23	093574	835R24800	Ruota rotante	Weel	
24	093582	501R46702	Protezione evap. vano inferiore	Evaporator lower protection	
25	093272	832R10000	Cornice per traversa	Support half door frame	
26	093363	501R51700	Cremagliera ant./post 1/2 porte	Lower rack 1/2 doors a304	
27	093364	501R46100	Cremagliera ant./post 1/2 porte 304	Upper rack 1/2 doors a304	
28	093546	835R26303	Ass.1/2 porta superiore a304	Upper half door a304	
29	093519	835R25502	Ass.1/2 porta inferiore a304	Lower half door a304	
30	093273	548R07101	Guarnizione magnetica 1/2 porte	Half door gasket	
31	093393	546R21100	Boccola per cerniera 1/2 porte	Half door bush	
32	093301	833R21900	Ass. cerniera inferiore	Lower hinge assembly	
33	093344	505R12400	Cerniera centrale	Central hinge door	
34	093433	833R21100	Serratura	Serratura	
35	092183	646R07800	Sonda vano inferiore	Lower probe compartement	
36	093583	501R45802	Bacinella inferiore	Lower evaporator water basin	
37	*	501R58201	Protezione ptc	PTC protection	
38	093533	617R06601	Resistenza ptc 120W	PTC 120 W	
39	*	639R12000	Connettore Maschio 3 vie	Male connector for ptc	
40	093435	646R10501	<b>Elettrovalvola 220/23V 50 /60 hz</b>	<b>Solenoid valve 220/23V 50 /60 hz</b>	<b>Up to 4151...</b>

PNC	Ref.	PNC	Ref.	PNC	Ref.	PNC	Ref.	PNC	Ref.	PNC	Ref.	PNC	Ref.
727318	a	728691	b	727386	c	728737	d						

Pos	Spare parts code	Factory code	Descrizione	Description	Ref - Note
40	094435	646R10502	<b>Elettrovalvola 220/23V 50 /60 hz</b>	<b>Solenoid valve 220/23V 50 /60 hz</b>	<b>From 4161...</b>
41	*	515R19500	Giunzione per condensatore	Dual way connection for condenser	
42	093326	501R45101	Staffa ventilatore Mes	Fan support mes	
43	*	830R06102	Evaporatore vano inferiore 4R 5T	Lower evaporator4R 5T	
44	093592	501R45902	Baccinella	Lower basin (evaporator)	
45	093440	833R21303	Baccinella/carter raccolta condensa	Condenser water basin/carter evap.	
46	091602	546R06100	Griglia protezione ventola	Fan protection	
47	091652	544R02501	Tubo di scarico	Discharge pipe	
48	093366	682R05900	<b>Ventilatore EBM</b>	<b>Ventilator</b>	<b>Up to 5051...</b>
48	094477	682R08600	<b>Ventilatore EBM</b>	<b>Ventilator</b>	<b>From 5061....</b>
49	*	502R17002	Supporto ventilatore	Fan support	
50	093784	511R01300	Ventola 254X34	Fan 254X34	
51	093332	501R41502	Supporto impianto elettrico	Electrical wiring support	
52	093426	684R05900	Compressore (EMT6152U) R290	Compressor (EMT6152U) R290	
52a	*	*	Relè avviamento	Start relay	
52b	*	*	Protettore	Protector	
52c	*	*	Condensatore di avviamento	Start capacitor	
53	087122	518708401	Fissaggio compressore	Rubber compressor	
54	093431	830R06600	Condensatore 5R D4,76 ( fili)	Condenser 5R D4,76 ( fili)	
54a	092360	646R09400	Sonda condensatore	Probe condenser	
55	089697	511708800	Ventola 230-31	Ventola 230-31	
56	089755	546709500	Protezione ventola	Fan protection	
57	093259	515R12700	Serpentina evap. acqua di conden.	Evaporation water pipe	
58	093260	543R09300	Fissaggio serpentina	Stopper pipe	
59	093334	682R05300	Ventilatore condensatore (VN 10 20)	Condenser ventialtor (VN 10 20)	
60	*	858R10500	Scambiatore sup	Heat exchanger (upper)	up to 230070.. (2012)
60	*	858R07301	Scambiatore sup	Heat exchanger (upper)	from to 231070.. (2012)
61	0A9410	805734802	Filtro 2 vie	Dehidrator filter	
62	0A8171	0A02021800	Valvola per compressore	Compressor valve (charge or disch.)	
63	093323	830R03901	Evaporatore 2R 8T	Evaporator 2R 8T	
64	093469	833R19201	Vaschetta evaporatore	Evaporator tray	
65	093417	682R06100	Ventilatore evaporatore (mes)	Evaporator fan (mes)	up to 309100.. (2013)
65a	093418	511R05500	Ventola 150 mes	Fan 150 mes	up to 309100.. (2013)
65	093777	682R06601	Ventilatore evaporatore (Fime)	Evaporator fan (Fime)	from 310100.. (2013)
67	092173	646R06700	Sonda cella	Cavity probe	

<b>PNC</b>	<b>Ref.</b>	<b>PNC</b>	<b>Ref.</b>	<b>PNC</b>	<b>Ref.</b>	<b>PNC</b>	<b>Ref.</b>	<b>PNC</b>	<b>Ref.</b>	<b>PNC</b>	<b>Ref.</b>	<b>PNC</b>	<b>Ref.</b>
727318	<b>a</b>	728691	<b>b</b>	727386	<b>c</b>	728737	<b>d</b>						

<b>Pos</b>	<b>Spare parts code</b>	<b>Factory code</b>	<b>Descrizione</b>				<b>Description</b>				<b>Ref - Note</b>
67a	091061	546R07500	Gabbietta per sonda				Probe protection				
67b	093547	514R12900	Fermo per cavo riscaldante				Stopper/spring for heating cable				
68	093327	617R06100	Resistenza con termost. 170w				Heating element with thermostat				
69	093487	514R11600	Molla per fissaggio termostati				Thermostat spring				
70	093368	514R10800	Molla per fissaggio resistenza 2R				Heating element spring 2R (big) 176mm				
70a	093353	514R12000	Molla per fissaggio resistenza				Heating element spring (small) 84 mm				
72	093294	501R44001	Convogliatore evaporatore 1 fori				Evaporator conveyor one hole 154mm				
73	093599	639R10000	Morsettiera				Clamp				
74	093261	835R24100	Assieme Calotta				Evaporator cover				
75	093262	14701R003	Neoprene espa. 8x13,3 nero (M4)				Gasket cover ( neoprene 8x13,3)				
77	093263	546R19702	Tamponcino per tubi				Pipe cover insulation				
78	093264	541R04800	Copertura impianto elettrico				Wiring cover				
79	092257	694R00501	Filtro antidisturbo				Electrical filter				
81	093371	646R10900	Sonda ambiente				Ambient probe				
99	*	880R59004	Ass.Cruscotto senza masche. A304				ASS. Panel without template A304				
100	093525	509R13403	Cruscotto				Panel 304 AISI				
102	093609	832R10100	Cerniera per cruscotto dx				Hinge for panel				
102a	093610	832R10200	Cerniera per cruscotto sx				Hinge for panel				
103	093345	833R20900	Serratura				Latch				
104	094211	855R12000	Ass.macherina porta/cruscotto Elux				Complete template door and panel				a,c
104	*	855R12200	Ass.macherina porta/cruscotto APX				Complete template door and panel				b,d
105	093437	646R10601	Termoregolatore ir33 main				Thermoregulator premium main				To be setted
105a	093439	646R11400	Termoregolatore ir33 slave				Thermoregulator premium slave				To be setted
106	093295	501R37401	Protezione				Protection led-lamp				
107	093386	546R19501	Supporto scheda led				Support led-lamp				
108	093387	546R19600	Protezione scheda led				Protection led-lamp				
109	093810	855R12700	Ass. scheda led+supp. plastica				Led-lamp board GL + Support				
110	093390	569R05900	Guarnizione per scheda led				Ledlamp board gasket				
112	093391	639R10400	Morsetto				Clamp				
113	*	855R12300	Ass. mascherina cruscotto Elux				Assembled template panel Elux				a,c
113	*	855R12500	Ass. mascherina cruscotto APX				Assembled template panel APX				b,d
114	*	546R20000	Cornice mascherina cruscotto elux				Template frame for panel Elux				a,c
114	*	546R20100	Cornice mascherina cruscotto Apx				Template frame for panel Elux				d
115	*	855R10500	Ass. mascherina porta Elux				Assembled template door Elux				a,c
115	*	855R10700	Ass. mascherina porta APX				Assembled template door APX				b,d
116	*	546R20200	Cornice mascherina porta Elux				Control door frame Elux				a,c
116	*	546R20300	Cornice mascherina porta Apx				Control door frame Elux				d
*	093491	217541085	Vite per fissaggio mascherina M3x8				Screws M3X8 for control door/panel				
117	*	639R06800	Connettore dritto 3 vie				Connector 3 ways right				
117	*	639R06900	Connettore dritto 7 vie				Connector 7 ways right				
117	099740	*	Connettore 90° 7 vie				Connector 7 ways 90°				

PNC	Ref.	PNC	Ref.	PNC	Ref.	PNC	Ref.	PNC	Ref.	PNC	Ref.	PNC	Ref.
727318	a	728691	b	727386	c	728737	d						
Pos	Spare parts code	Factory code	Descrizione				Description				Ref - Note		
117	099741	*	Connettore 90° 5 vie				Connector 5 ways 90°						
117	088998	*	Connettore 90° 3 vie				Connector 3 ways 90°						
117	099743	*	Connettore 90° 3 vie piccolo				Connector 3 ways 90° small						
117	099742	*	Connettore 90° 2 vie				Connector 2 ways 90°						
117	091682	*	Connettore 90° 4 vie				Connector 4 ways 90°						
117	091684	*	Connettore 90° 5 vie				Connector 5 ways 90°						
*	093180	639R09600	Convertitore spina UK				UK plug converter						
119	093421	617R06502	Resistenza vano inferiore evap.				Heating element lower evaporator						
120	*	501R58101	Supporto termostati				Thermostat support						
121	093593	639R11600	Scatola Gewis				Scatola Gewis						
122	0A9312	639712400	Morsettiera				Clamp						
124	*	546R23900	Rondella				Washer						