



## BASE REF GOTTARDO 1000

| Code      | Model  | Ref. | Page | Notes                      |
|-----------|--------|------|------|----------------------------|
| 737014 03 | 588249 | a    | 3,4  | BASE REF GOTTARDO 1000-800 |
| 737016 03 | 589344 | b    | 3,4  | BASE REF GOTTARDO 1000-900 |

| Page | Index            |
|------|------------------|
| 2    | external body    |
| 3    | cooling unit     |
| 4    | command panel    |
| 5    | Spare parts list |
| 6    | Spare parts list |

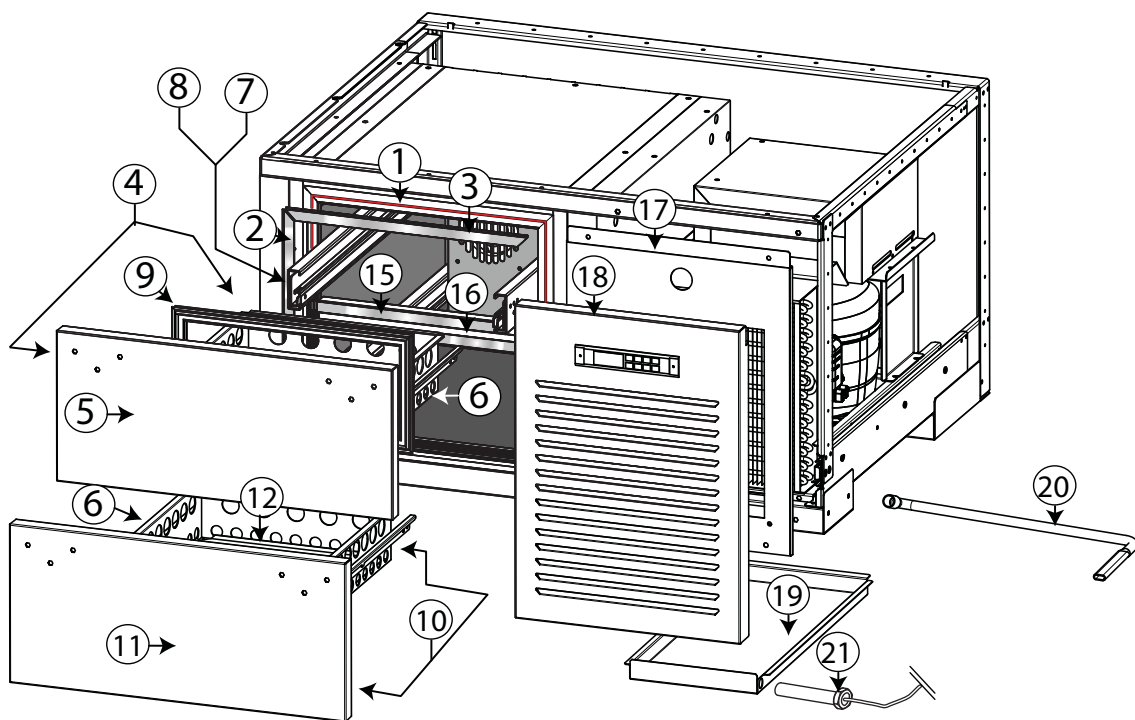
| Last Updates    | Page |
|-----------------|------|
| Ed. 29 Oct 2014 | 5    |

**Brand: Electrolux**  
**Country: Switzerland**

Grassetto = ultima modifica  
 Bold = last change

\* Componenti a richiesta  
 \* Components on demand

From Ser. Nr.331100.. / Up to Ser. Nr.....



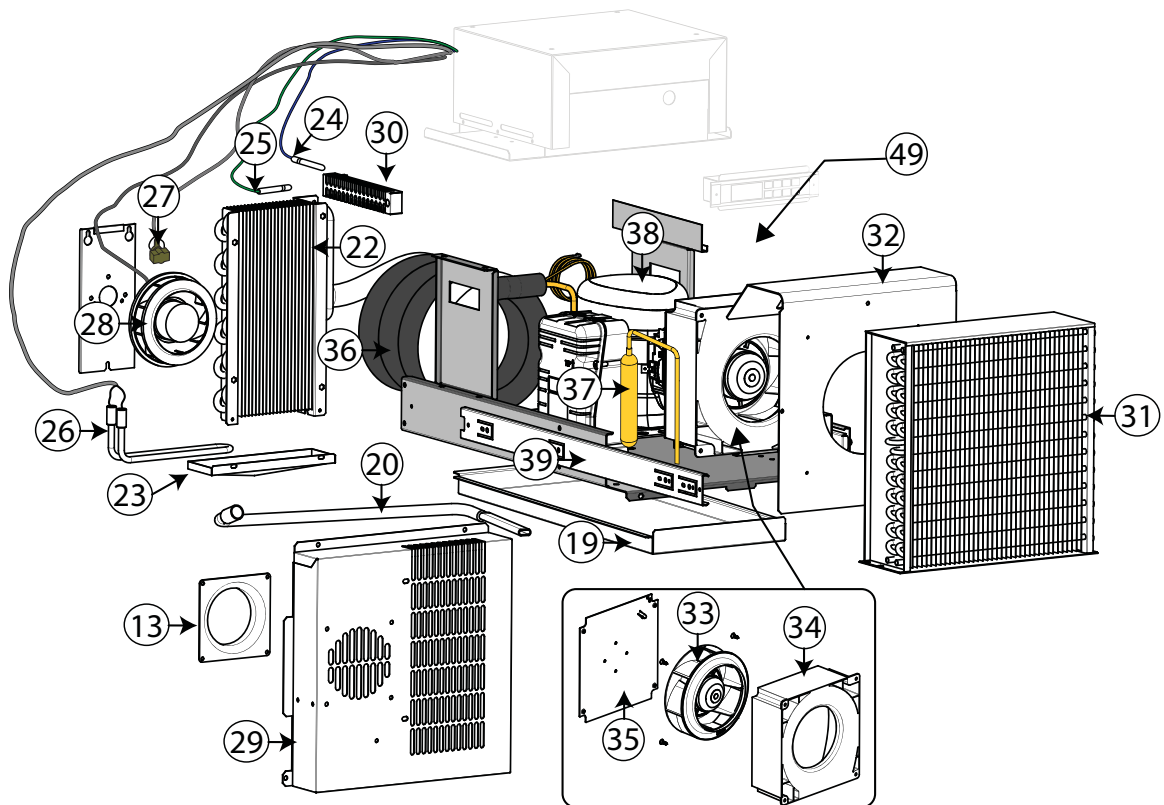
556002 mob.1000

Grassetto = ultima modifica  
Bold = last change

\* Componenti a richiesta  
\* Components on demand

From Ser. Nr.331100.. / Up to Ser.  
Nr.....

# Cooling unit

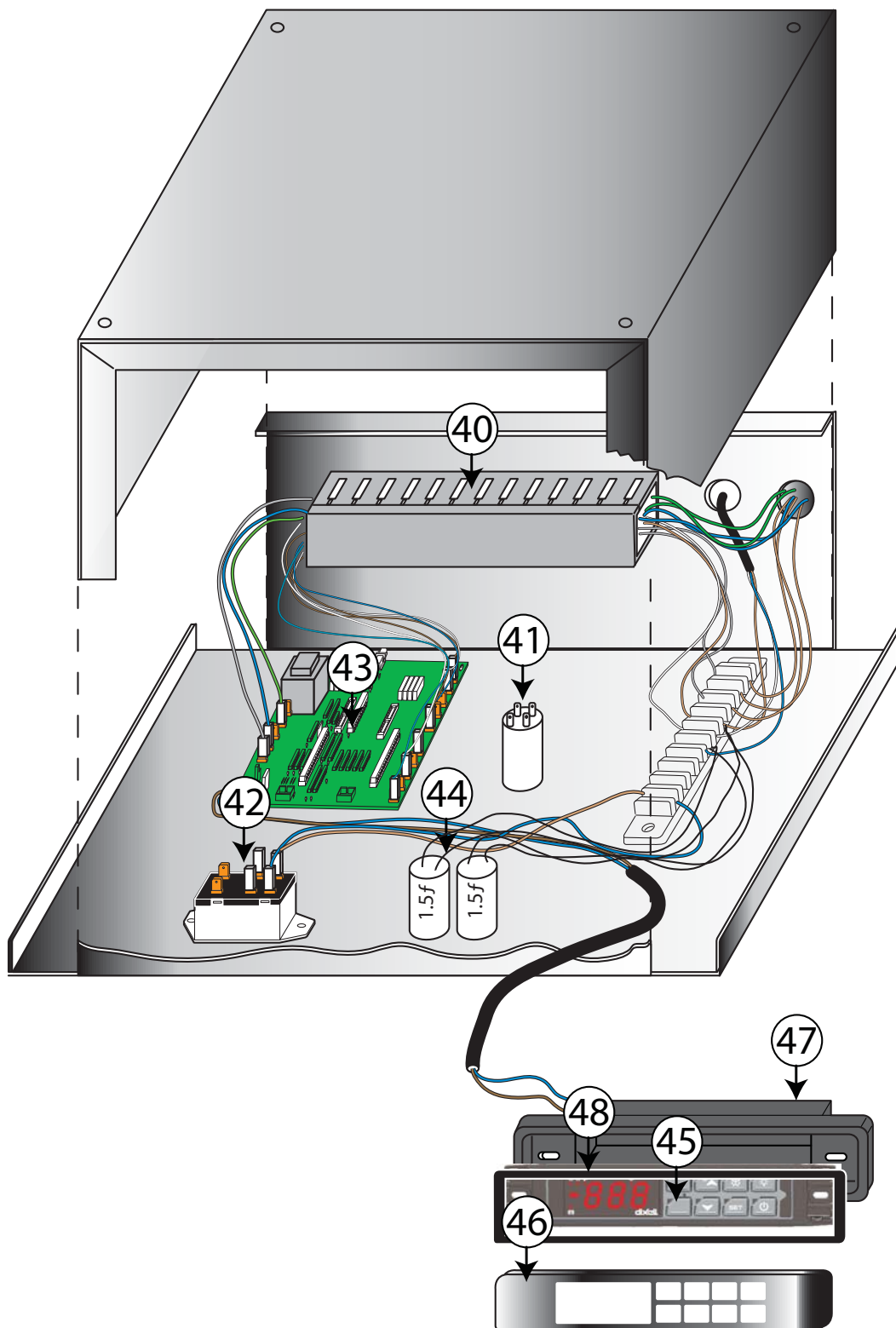


556002 gruppo 1000

Grassetto = ultima modifica  
 Bold = last change

\* Componenti a richiesta  
 \* Components on demand

From Ser. Nr.331100.. / Up to Ser.  
 Nr....



556001 comandi 1000

Grassetto = ultima modifica  
 Bold = last change

\* Componenti a richiesta  
 \* Components on demand

From Ser. Nr.331100.. / Up to Ser.  
 Nr.....

| Pos | Code   | Factory code | Descrizione                    | Description                | Bezeichnung                      | Ref./ Notes                       |
|-----|--------|--------------|--------------------------------|----------------------------|----------------------------------|-----------------------------------|
| 1   | 093967 | 617R09300    | Cavo riscaldante               | Hot frame cable            | Heizleitung                      |                                   |
| 2   | 092608 | 500R01901    | Riscontro verticale            | Vertical frame             | Vertikaler Rahmen                |                                   |
| 3   | 092623 | 500R68801    | Riscontro orizzontale          | Horizontal                 | Horizontaler Rahmen              |                                   |
| 4   | 093968 | 835R37200    | Ass.Cassetto alto              | Upper Drawer               | Obere Schublade                  |                                   |
| 5   |        | 875R26500    | Frontale cassetto alto         | Front upper drawer         | Frontblende obere Schublade      |                                   |
| 6   |        | 833R20400    | Ass. involucro cassetto        | Case drawer                | Seiteneinsatz für Schublade      |                                   |
| 7   | 092612 | 835R13000    | Ass. guida DX                  | Right support for drawer   | Rechte Führungsschiene           |                                   |
| 8   | 092613 | 835R13100    | Ass. guida SX                  | Left support for drawer    | Linke Führungsschiene            |                                   |
| 9   | 092625 | 548R02602    | Guarnizione cassetto           | Drawer gasket              | Dichtung Schublade               |                                   |
| 10  | 093969 | 835R37300    | Ass.Cassetto basso             | Lower Drawer               | Untere Schublade                 |                                   |
| 11  |        | 875R26600    | Frontale cassetto basso        | Front lower drawer         | Frontblende untere Schublade     |                                   |
| 12  | 092628 | 501R16100    | Fondo Removibile               | Bottom drawer              | Bodeneinsatz für Schublade       |                                   |
| 13  |        | 546R11500    | Convogliatore aria ventilatore | Fan conveyor               | Strömungsaufsatz für Lüfter      |                                   |
| 16  |        | 500R77702    | Riscontro per traversa         | Frame for half support     | Rahmen für Verstärkung mittig    |                                   |
| 17  |        | 509R17601    | Copertura condensatore         | Condenser cover            | Kondensatorblende                |                                   |
| 18  | 094464 | 509R17501    | <b>Pannello frontale</b>       | <b>Frontal panel</b>       | <b>Frontblende Kondensator</b>   | <b>Up to 4451...</b>              |
| 18  | 094465 | 509R17502    | <b>Pannello frontale</b>       | <b>Frontal panel</b>       | <b>Frontblende Kondensator</b>   | <b>From 4461...</b>               |
| 19  |        | 501R95100    | Baccinella evaporazione        | Evaporation basin          | Verdunstungsbehälter             |                                   |
| 20  | 093924 | 544R03600    | Tubo per scarico condensa      | Water discharge pipe       | Wassertauschrohr                 |                                   |
| 21  | 092950 | 617R05200    | PTC 230V                       | PTC 230V                   | PTC 230V                         |                                   |
| 22  | 092643 | 830R02402    | Evaporatore 2R 12T             | Evaporator 2R 12T          | Verdampfer 2R 12T                |                                   |
| 23  | 092644 | 500R68901    | Ass. Baccinella evaporatore    | Evaporator basin           | Verdamperbecken                  |                                   |
| 24  | 092176 | 646R07000    | Sonda cella "blu"              | Cavity probe               | Fühler blau                      |                                   |
| 25  | 092183 | 649R07800    | Sonda evaporatore verde        | Evaporator probe           | Fühler grün                      |                                   |
| 26  | 093966 | 617R09200    | Resistenza di sbriname. 150W   | Heating Elem. defrost 150W | Heizelement zum Auftauen 150W    |                                   |
| 27  | 0A9671 | 648718900    | Termost. di sicurezza +40/+30  | Safety thermostat +40/ +30 | Sicherheitsthermostat +40/ +30   |                                   |
| 28  | 093970 | 856R21700    | Ventilatore 230/50/60HZ        | Eaporator fan 230/50/60HZ  | Verdunst.-Ventilator 230/50/60HZ |                                   |
| 29  |        | 501R07402    | Convogliatore int .cella       | Evaporator Carter          | Abdeckung d. Verdunstungsein.    |                                   |
| 30  | 092642 | 501R15100    | Protezione sonda               | Probe protection           | Sondenschutz (Fühlerschutz)      |                                   |
| 31  | 092649 | 830R02301    | Condensatore 2R                | Condensator                | Kondensator 2R                   |                                   |
| 32  | 094029 | 505R16101    | <b>Adattatore ventilatore</b>  | <b>Fan adaptor</b>         | <b>Lüfteraufsatz</b>             | <b>Up to 4451...</b>              |
| 32  | 094463 | 505R16102    | <b>Adattatore ventilatore</b>  | <b>Fan adaptor</b>         | <b>Lüfteraufsatz</b>             | <b>From 4461...</b>               |
| 33  |        | 682F00100    | Ventilatore gruppo condens.    | Condensator fan            | Lüfter Kondensatoreinheit        |                                   |
| 34  |        | 504F00B00    | Custodia ventilatore           | Protection Fan             | Schutzabdeckung für Lüfter       |                                   |
| 35  |        | 504F00C00    | Supporto ventilatore           | Fan Support                | Befestigungsblech für Lüfter     |                                   |
| 36  | 093929 | 858R13200    | <b>Ass. Scambiatore</b>        | <b>Heating exchanger</b>   | <b>Wärmetauscher</b>             | <b>Up to 3461...</b>              |
| 36  | 094174 | 858R13201    | <b>Ass. Scambiatore</b>        | <b>Heating exchanger</b>   | <b>Wärmetauscher</b>             | <b>From 3471... up to 4451...</b> |
| 36  | 094467 | 858R13203    | <b>Ass. Scambiatore</b>        | <b>Heating exchanger</b>   | <b>Wärmetauscher</b>             | <b>From 4461...</b>               |
| 37  | 084078 | 805729802    | Filtro deidratore 40 gr        | Dehidrator filter 40 gr    | Entwässerungsfilter 40 gr        |                                   |
| 38  | 0T6191 | 684R04200    | Compressore CAE9470 R404A      | Compress. CAE9470 R404A    | Kompressor CAE9470 R404A         |                                   |

Grassetto = ultima modifica  
 Bold = last change

\* Componenti a richiesta  
 \* Components on demand

| Pos       | Code          | Factory code     | Descrizione                  | Description                 | Bezeichnung                     | Ref./ Notes |
|-----------|---------------|------------------|------------------------------|-----------------------------|---------------------------------|-------------|
| <b>38</b> | <b>094462</b> | <b>684R10000</b> | <b>Compressore TECUMSH</b>   | <b>Compressor TECUMSEH</b>  | <b>Kompressor TECUMSEH</b>      |             |
| 39        | 093927        | 835R35900        | Guida telescopica            | Telescopic support          | Teleskop-Befestigung            |             |
| 40        | 092658        | 639R07800        | Canalina 40x40               | Cover cable                 | Kabelkanal 40 x 40              |             |
| 41        | 093636        | 694R00700        | Filtro antidisturbo          | Electrical filter           | Elektronischer Entstörfilter    |             |
| 42        | 088267        | 684722900        | Relè Omrom 2A coil 200-240V  | Relay                       | Relais 2A coil 200-240V         |             |
| 43        | 092960        | 646R09603        | Scheda xw260K 230V           | Main board xw260k           | Hauptplatine xw260K 230V        |             |
| 44        | 091435        | 648R02400        | Condensatore 1.5 400V        | Capacitor 1.5 400 V         | Kondensator 1.5 µF 400V         |             |
| 45        |               | 646R09700        | Scheda interfaccia           | User board                  | Bedienblende                    |             |
| 46        | 092958        | 530R04200        | Cornice in acciaio termoreg. | Termoregulator frame        | Frontabdeckung der Bedienblende |             |
| 47        | 092948        | 501R24500        | Copertura termoregolatore    | User board cover            | Befestigung für Bedienblende    |             |
| 48        | 092661        | 546R12600        | Guarnizione termoregolatore  | Termoregulator gasket       | Schutzabdeckung f. Bedienblende |             |
| 49        |               | 877R65402        | Ass. gruppo 1000 Gottardo    | Ass. cooling unit 1000 got. | Kühleinheit thermaline 1000     |             |
| 58        |               |                  |                              |                             |                                 |             |

Grassetto = ultima modifica  
 Bold = last change

\* Componenti a richiesta  
 \* Components on demand