

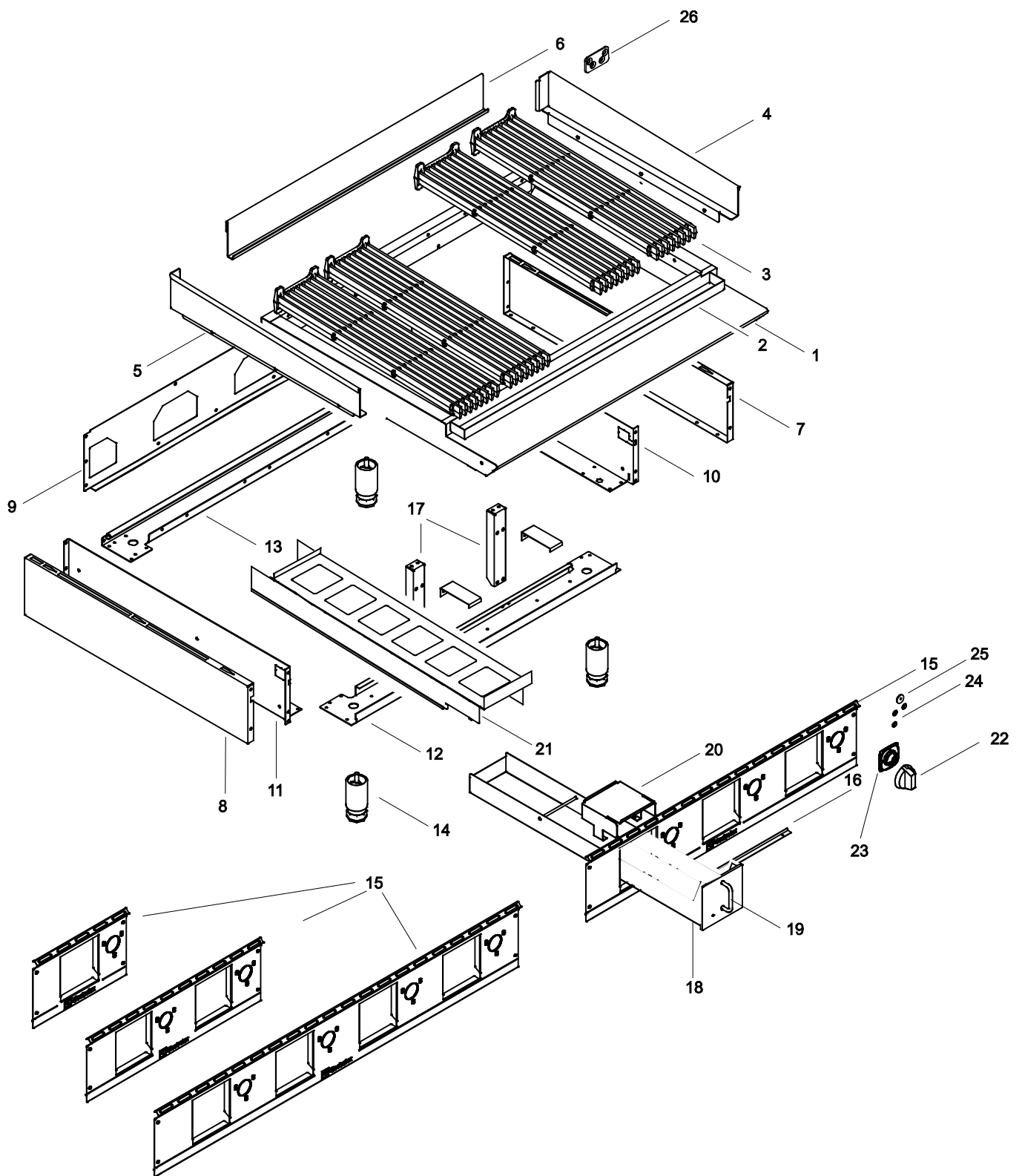
| PNC | MODEL | Ref | NOTE |
|------------|--------------|------------|------------------------|
| 169119 | AGG12 | a | GAS CHARBROILER 12"-US |
| 169120 | AGG24 | b | GAS CHARBROILER 24"-US |
| 169121 | AGG36 | c | GAS CHARBROILER 36"-US |
| 169122 | AGG48 | d | GAS CHARBROILER 48"-US |
| 169148 | AGG12CE | e | GAS CHARBROILER 12" |
| 169149 | AGG24CE | f | GAS CHARBROILER 24" |
| 169150 | AGG36CE | g | GAS CHARBROILER 36" |
| 169151 | AGG48CE | h | GAS CHARBROILER 48" |

| Pag | Index | Indice | Note |
|------------|--------------------|----------------------|-------------|
| 2 | General components | Componenti struttura | |
| 3 | Gas components | Componenti gas | |
| 4,5,6,7 | Spare parts list | Lista ricambi | |

Da Ser. Nr. / From Ser. Numb. : 501
Document review . 2015 -11

PAGE: 1

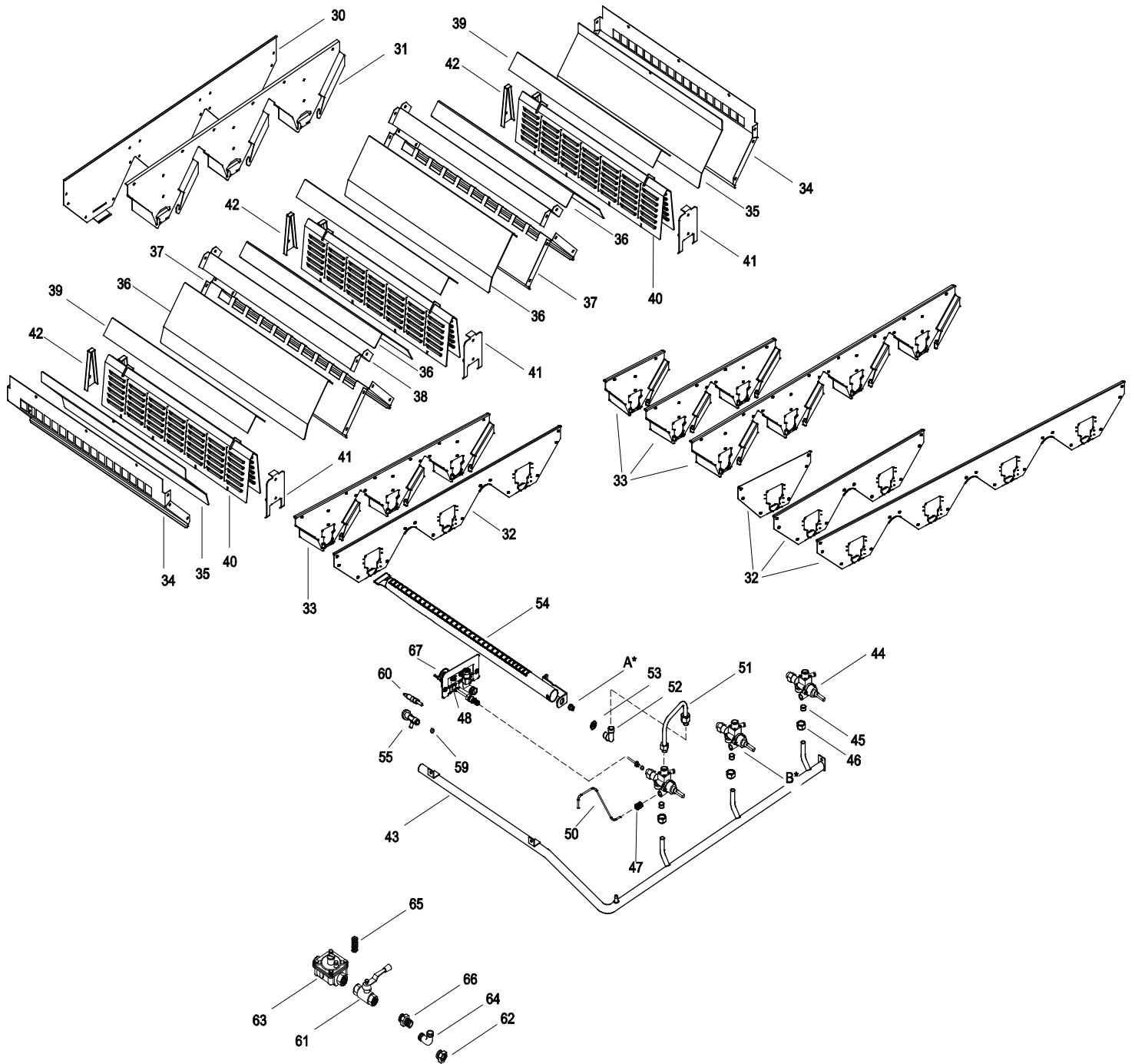
Doc. **59785TZ00**



Da Ser. Nr. / From Ser. Numb. : 501
 Document review . 2015 -02

PAGE: 2

Doc. **59785TZ00**



Da Ser. Nr. / From Ser. Numb. : 501
 Document review . 2015 -02

PAGE: 3

Doc. 59785TZ00

| PNC | Ref | PNC | Ref |
|--------|-----|--------|-----|
| 169119 | a | 169148 | e |
| 169120 | b | 169149 | f |
| 169121 | c | 169150 | g |
| 169122 | d | 169151 | h |

| Art | Factory Code | Spare part Code | Descrizione | Description | Ref. /Notes |
|-----|--------------|-----------------|------------------------------|-----------------------------|-------------|
| | | | Pagina 2 | Page 2 | |
| 1 | 0850899C02 | * | RIPIANO | WORK TOP | a e |
| 1 | 0850899D04 | * | RIPIANO | WORK TOP | b f |
| 1 | 0850899E03 | * | RIPIANO | WORK TOP | c g |
| 1 | 0850899F03 | * | RIPIANO | WORK TOP | d h |
| 2 | 050389D101 | 0C6778 | BACINELLA RACCOGLI GRASSO | BASIN FOR GREASE COLLECTING | a e |
| 2 | 050389FK01 | 0C6782 | BACINELLA RACCOGLI GRASSO | BASIN FOR GREASE COLLECTING | b f |
| 2 | 050389D602 | 0C6769 | BACINELLA RACCOGLI GRASSO | BASIN FOR GREASE COLLECTING | c g |
| 2 | 050389FL01 | 0C6786 | BACINELLA RACCOGLI GRASSO | BASIN FOR GREASE COLLECTING | d h |
| 3 | 0510828401 | 0C6764 | GRIGLIA DI COTTURA IN GHISA | CAST IRON GRID | |
| 4 | 050389CQ03 | 0C6766 | PARASPRUZZI DESTRO | RIGHT SIDE SPLASHBACK | |
| 5 | 050389CP03 | 0C6765 | PARASPRUZZI SINISTRO | LEFT SIDE SPLASHBACK | |
| 6 | 050389CR02 | 0C6777 | PARASPRUZZI POSTERIORE | BACK SIDE SPLASHBACK | a e |
| 6 | 050389CY03 | 0C6781 | PARASPRUZZI POSTERIORE | BACK SIDE SPLASHBACK | b f |
| 6 | 050389CZ03 | 0C6767 | PARASPRUZZI POSTERIORE | BACK SIDE SPLASHBACK | c g |
| 6 | 050389D003 | 0C6785 | PARASPRUZZI POSTERIORE | BACK SIDE SPLASHBACK | d h |
| 7 | 050389C401 | * | FIANCO DESTRO | RIGHT SIDE PANEL | |
| 8 | 050389C501 | * | FIANCO SINISTRO | LEFT SIDE PANEL | |
| 9 | 050389C001 | * | SCHIENALE | REAR PANEL | a e |
| 9 | 050389C101 | * | SCHIENALE | REAR PANEL | b f |
| 9 | 050389BJ02 | * | SCHIENALE | REAR PANEL | c g |
| 9 | 050389BK01 | * | SCHIENALE | REAR PANEL | d h |
| 10 | 050489C102 | * | TRAVERSA LATERALE DESTRA | RIGHT SIDE CROSSPIECE | |
| 11 | 050489C302 | * | TRAVERSA LATERALE SINISTRA | LEFT SIDE CROSSPIECE | |
| 12 | 050489CC02 | * | TRAVERSA ANTERIORE | FRONTSIDE CROSSPIECE | a e |
| 12 | 050489CB02 | * | TRAVERSA ANTERIORE | FRONTSIDE CROSSPIECE | b f |
| 12 | 050489BZ02 | * | TRAVERSA ANTERIORE | FRONTSIDE CROSSPIECE | c g |
| 12 | 050489CA02 | * | TRAVERSA ANTERIORE | FRONTSIDE CROSSPIECE | d h |
| 13 | 050489CD01 | * | TRAVERSA POSTERIORE | BACKSIDE CROSSPIECE | a e |
| 13 | 050489C801 | * | TRAVERSA POSTERIORE | BACKSIDE CROSSPIECE | b f |
| 13 | 050489C001 | * | TRAVERSA POSTERIORE | BACKSIDE CROSSPIECE | c g |
| 13 | 050489C901 | * | TRAVERSA POSTERIORE | BACKSIDE CROSSPIECE | d h |
| 14 | 0835873400 | 0C6634 | PIEDINO REGOLABILE | ADJUSTABLE FOOT | |
| 15 | 05038AFR00 | 0CA240 | CRUSCOTTO 12' | CONTROL PANEL 12' | a e |
| 15 | 05038AFS00 | 0CA241 | CRUSCOTTO | CONTROL PANEL | b f |
| 15 | 05038AFT00 | 0CA242 | CRUSCOTTO | CONTROL PANEL | c g |
| 15 | 05038AFU00 | 0CA243 | CRUSCOTTO | CONTROL PANEL | d h |
| 16 | 050489RH00 | * | RINFORZO CRUSCOTTO | | c,d,g,h |
| 17 | 50489CN00 | * | PUNTONE | | d h |
| 18 | 800837603 | 0C6768 | CASSETTO + MANIGLIA | DRAWER + HANDLE | |
| 19 | 50389CM01 | 0C6653 | MANIGLIA | HANDLE | |
| 20 | 50489CK02 | * | COPERTURA ANTERIORE CASSETTO | COVER FOR DRAWER | |
| 21 | 50489C201 | * | SUPPORTO GUIDA CASSETTO | SUPPORT FOR DRAWER RUNNER | |
| 22 | 511850G01 | 0C6670 | MANOPOLA | KNOB | |
| 23 | 80589CV00 | 0CA244 | ASSIEME GHIERA | KNOB RING ASSEMBLY | |
| 24 | 218912211 | 069567 | MOLLETTA FISSAGGIO GHIERA | RING CONNECTION | |

Da Ser. Nr. / From Ser. Numb. : 501

Document review . 2015 -02

PAGE: 4

Doc. **59785TZ00**

| | | | |
|------------|------------|------------|------------|
| PNC | Ref | PNC | Ref |
| 169119 | a | 169148 | e |
| 169120 | b | 169149 | f |
| 169121 | c | 169150 | g |
| 169122 | d | 169151 | h |

| Art | Factory Code | Spare part Code | Descrizione | Description | Ref. /Notes |
|------------|---------------------|------------------------|---------------------------------------|-------------------------------------|--------------------|
| 25 | 541813800 | 0C6171 | RONDELLA IN SILICONE | WASHER; SILICONE | |
| 26 | 50689A700 | 0C6733 | PIASTRINA UNIONE POSTERIORE | PLATE FOR REAR JOINT | |
| | | | Pagina 3 | Page 3 | |
| 30 | 50489AQ01 | * | SCHERMO POSTERIORE | REAR SHIELD | a e |
| 30 | 50489B302 | * | SCHERMO POSTERIORE | REAR SHIELD | b f |
| 30 | 50489B402 | * | SCHERMO POSTERIORE | REAR SHIELD | c g |
| 30 | 50489B502 | * | SCHERMO POSTERIORE | REAR SHIELD | d h |
| 31 | 50489AV01 | * | SUPPORTO POSTERIORE SPECCHI | REAR SUPPORT FOR SHIELD | a e |
| 31 | 50489AW02 | * | SUPPORTO POSTERIORE SPECCHI | REAR SUPPORT FOR SHIELD | b f |
| 31 | 50489AX02 | * | SUPPORTO POSTERIORE SPECCHI | REAR SUPPORT FOR SHIELD | c g |
| 31 | 50489AY02 | * | SUPPORTO POSTERIORE SPECCHI | REAR SUPPORT FOR SHIELD | d h |
| 32 | 50489MS01 | 0CA328 | SCHERMO ANTERIORE | FRONT SHIELD | a e |
| 32 | 50489MR01 | 0CA327 | SCHERMO ANTERIORE | FRONT SHIELD | b f |
| 32 | 50489MQ01 | 0CA326 | SCHERMO ANTERIORE | FRONT SHIELD | c g |
| 32 | 50489MP01 | 0C9147 | SCHERMO ANTERIORE | FRONT SHIELD | d h |
| 33 | 50489MN01 | 0CA325 | SUPPORTO ANTERIORE SPECCHI | FRONT SUPPORT FOR SHIELD | a e |
| 33 | 50489MM01 | 0CA324 | SUPPORTO ANTERIORE SPECCHI | FRONT SUPPORT FOR SHIELD | b f |
| 33 | 50489ML01 | 0CA323 | SUPPORTO ANTERIORE SPECCHI | FRONT SUPPORT FOR SHIELD | c g |
| 33 | 50489MK01 | 0C9911 | SUPPORTO ANTERIORE SPECCHI | FRONT SUPPORT FOR SHIELD | d h |
| 34 | 50489CM02 | * | PARETE LATERALE CAMERA COMBUSTIONE | SIDE PANEL OF COMBUSTION CHAMBER | a e |
| 34 | 504899T03 | * | PARETE LATERALE CAMERA COMBUSTIONE | SIDE PANEL OF COMBUSTION CHAMBER | b c d f g h |
| 35 | 50489CL00 | * | SPECCHIO LATERALE | BACK SIDE SHIELD | a e |
| 35 | 504899Z01 | * | SPECCHIO LATERALE | BACK SIDE SHIELD | b c d f g h |
| 36 | 50489B702 | * | SPECCHIO CENTRALE | CENTRAL SHIELD | b c d f g h |
| 37 | 50489A203 | * | SUPPORTO CENTRALE SPECCHI | CENTRAL SUPPORT FOR SHIELDS | b c d f g h |
| 38 | 505899S02 | * | COPPO CENTRALE | CENTRAL TILE | b c d f g h |
| 39 | 505899Q00 | * | TEGOLO | TILE | |
| 40 | 83089CK03 | 0CA113 | RADIATORE | RADIATOR | |
| 41 | 505899M03 | 0C9234 | BASE GUIDA ANT.SUPP.RADIATORE | SUPPORT FRONTAL | |
| 42 | 50589AJ00 | * | BASE GUIDA POST.RADIATORE | SUPPORT REAR | |
| 43 | 855899703 | 0CA116 | RIBALTA | GAS MANIFOLD | a e |
| 43 | 855899803 | 0CA117 | RIBALTA | GAS MANIFOLD | b f |
| 43 | 855899403 | 0CA114 | RIBALTA | GAS MANIFOLD | c g |
| 43 | 855899603 | 0CA115 | RIBALTA | GAS MANIFOLD | d h |
| 44 | 835875Q01 | 0C6758 | RUBINETTO GAS | SAFETY GAS TAP | |
| 45 | 215170716 | 050682 | OGIVA DA 12 | DOUBLE CONE | |
| 46 | 214111412 | 050670 | DADO M 20 X 1,5 | NUT | |
| 47 | 214164400 | 052125 | RACCORDO | FITTING | |
| 48 | 50689C002 | * | PIASTRA BLOCC. BRUCIATORE | PLATE | |
| 50 | 51589AV00 | 0C9148 | CONDUTTURA BRUCIATORE PILOTA | PILOT PIPE | |
| 51 | 805899S01 | 0C6775 | CONDUTTURA RUBINETTO- BRUCIATORE | GAS PIPE GAS TAP-BURNER | a e |
| 51 | 805899T02 | 0C6759 | CONDUTTURA RUBINETTO- BRUCIATORE | GAS PIPE GAS TAP-BURNER | b c d f g h |
| 52 | 511805801 | 059375 | PORTAUGELLO | INJECTOR HOLDER | |
| 53 | 214105101 | 020997 | CONTRODADO PORTAUGELLO | LOCK NUT | |
| 54 | 855899F03 | 0C8657 | BRUCIATORE PRINCIPALE | MAIN BURNER | |

Da Ser. Nr. / From Ser. Numb. : 501
Document review . 2015 -02

Doc. **59785TZ00**

| PNC | | Ref | | PNC | | Ref | |
|--|------------------|-----------------|---------------------------------------|------------------------------------|---------------------------------------|-----|--|
| 169119 | | a | | 169148 | | e | |
| 169120 | | b | | 169149 | | f | |
| 169121 | | c | | 169150 | | g | |
| 169122 | | d | | 169151 | | h | |
| Art | Factory Code | Spare part Code | Descrizione | Description | Ref. /Notes | | |
| 55 | 83089F601 | 0C7140 | BRUCIATORE PILOTA (tre vie) | PILOT BURNER (three flame) | | | |
| 59 | 215199700 | 052127 | BICONO; DIA.4 | DOUBLE CONE; DIA.4 | | | |
| 60 | 830852900 | 052814 | TERMOCOPPIA | THERMOCOUPLE | | | |
| 61 | 835850400 | 006137 | VALVOLA A SFERA; 3/4" FF | BALL VALVE; 3/4" FF | | | |
| 62 | 230784304 | 0C6506 | RIDUZIONE; 3/4"M-1/2"F | REDUCER; 3/4"M-1/2"F | | | |
| 63 | 835850200 | 006135 | REGOLATORE PRESSIONE GAS | PRESSURE REGULATOR | Up to 5531 From 6011 | | |
| 63 | 835878R00 | 0CA484 | REGOLATORE PRESSIONE GAS | PRESSURE REGULATOR | | | |
| 64 | 511850M00 | 0C6741 | GOMITO A4 3/4 GAS | ELBOW A4 3/4 GAS | | | |
| 65 | 835850300 | 006136 | MOLLA BLU PER REGOLATORE DI PRESSIONE | BLUE SPRING FOR PRESSURE REGULATOR | | | |
| 66 | 511850K00 | 0C6742 | NIPPLO 3/4 | NIPPLE 3/4 | | | |
| 67 | 80589BF01 | 0C9146 | ASSIEME COMPLETO PILOTA | COMPLETE PILOT ASSEMBLY | | | |
| Da Ser. Nr. / From Ser. Numb. : 501 Document review . 2015 -11 PAGE: 6 | | | | Doc. 59785TZ00 | | | |

| A - Ugello bruciatore / Burner nozzle | | | | |
|--|--------------|-------------|-----------------|------------|
| Spare part Code / factory code | Notes | | | Ref |
| 059383 | ø2.8 | Natural gas | G20 3" wc | a,b,c,d |
| 056793 | ø1.80 | Propane | G31 7,2" wc | |
| 0A2141 | ø1.65 | 3+3B/P | G30 30 mbar | e,f,g,h |
| 0A2141 | ø1.65 | 3B/P | G30/G31 37 mbar | |
| 0A2141 | ø1.65 | 3B/P | G30 50 mbar | |
| 0A2141 | ø1.65 | 3P | G30 37 mbar | |
| 0A2142 | ø2.9 | 2H/2E+ | G20 20 mbar | |
| 0A2142 | ø2.9 | 2H | G25 25mbar | |
| 059627 | ø3.30 | 2L | G25 25 mbar | |
| 059627 | ø3.30 | 2ELL | G25 20 mbar | |
| 059627 | ø3.30 | 2S | G25.1 25 mbar | |

| B – Vite di minimo / Minimum screw | | | | |
|---|--------------|-------------|-----------------|------------|
| Spare part Code / factory code | Notes | | | Ref |
| 005003 | Ø1.3 | Propane gas | G31 7,2" wc | a,b,c,d |
| 005003 | Ø1.3 | Natural gas | G20 3" wc | |
| 005003 | Ø1.3 | 3+3B/P | G30 30 mbar | e,f,g,h |
| 005003 | Ø1.3 | 3B/P | G30/G31 37 mbar | |
| 005003 | Ø1.3 | 3B/P | G30 50 mbar | |
| 005003 | Ø1.3 | 3P | G30 37 mbar | |
| 005003 | Ø1.3 | 2H/2E+ | G20 20 mbar | |
| 005003 | Ø1.3 | 2H | G25 25mbar | |
| 005003 | Ø1.3 | 2L | G25 25 mbar | |
| 005003 | Ø1.3 | 2ELL | G25 20 mbar | |
| 005003 | Ø1.3 | 2S | G25.1 25 mbar | |

| C - Ugello Pilota / Pilot Burner nozzle | | | | |
|--|--------------|-------------|-----------------|------------|
| Spare part Code / factory code | Notes | | | Ref |
| 056656 | n°35 | Natural gas | G20 3" wc | a,b,c,d |
| 056799 | n°20 | Propane | G31 7,2" wc | |
| 056799 | n°20 | 3+3B/P | G30 30 mbar | e,f,g,h |
| 056799 | n°20 | 3B/P | G30/G31 37 mbar | |
| 056799 | n°20 | 3B/P | G30 50 mbar | |
| 056799 | n°20 | 3P | G30 37 mbar | |
| 056656 | n°35 | 2H/2E+ | G20 20 mbar | |
| 056656 | n°35 | 2H | G25 25mbar | |
| 056656 | n°35 | 2L | G25 25 mbar | |
| 056656 | n°35 | 2ELL | G25 20 mbar | |
| 056656 | n°35 | 2S | G25.1 25 mbar | |