

**ABBATTITORI/CONGELATORI  
BLAST CHILLERS AND FREEZERS**

**BLAST CHILLER/FREEZER 10GN 1/1 LENGTHWISE**

| Code   | Av* | Model             | Description   | Ref. | Page      | Brand      |
|--------|-----|-------------------|---|------|-----------|------------|
| 726639 | 07  | <b>AOFP101</b>    | Lengthwise10 GN Freezer / Chiller                   | a    | 2 3 4 5 6 | Electrolux |
| 726634 | 07  | <b>AOCP101</b>    | Lengthwise10 GN Chiller                             | b    | 2 3 4 5 6 | Electrolux |
| 726299 | 12  | <b>AOFP101U</b>   | Lengthwise10 GN Freezer / Chiller usa 208 V         | c    | 2 3 4 5 6 | Electrolux |
| 726635 | 04  | <b>RBCP10.1-</b>  | Lengthwise10 GN Chiller remote                      | d    | 2 3 4 5 6 | Electrolux |
| 726640 | 04  | <b>RBFP10.1-</b>  | Lengthwise10 GN Freezer / Chiller remote            | e    | 2 3 4 5 6 | Electrolux |
| 726397 | 01  |                   | Lengthwise10 GN Chiller 380\400\3+N\60 hz           | f    | 2 3 4 5 6 | Electrolux |
| 726477 | 09  | <b>AOFP10160</b>  | Lengthwise10 GN Freezer / Chiller 380\400\3+N\60 hz | g    | 2 3 4 5 6 | Electrolux |
| 726664 | 09  | <b>AOFP101U4</b>  | Lengthwise10 GN Freezer / Chiller usa 240\3\60      | h    | 2 3 4 5 6 | Electrolux |
| 726693 | 16  | <b>AOCP101</b>    | BLAST CHILLER 50KG 10 GN 1/1 LW (cruiser)           | i    | 2 3 4 5 6 | Electrolux |
| 726694 | 17  | <b>AOCP101R</b>   | BLAST CHILLER 50KG 10 GN1/1 LW REMOTE (cruiser)     | l    | 2 3 4 5 6 | Electrolux |
| 726749 | 18  | <b>AOFP101C</b>   | BLAST C/FREEZER 50/50KG 10 GN1/1 LW (cruiser)       | m    | 2 3 4 5 6 | Electrolux |
| 726750 | 16  | <b>AOFP101CR</b>  | BLAST C/FREEZER 50/50KG 10 GN1/1 LW REM (cruiser)   | n    | 2 3 4 5 6 | Electrolux |
| 880111 | 02  |                   | kit wheels  |      | 2 3       |            |
| 726952 | 08  | <b>AOFP101CU</b>  | BLAST C/FREEZER 50/50KG 10 GN1/1 LW-208V (cruiser)  | q    | 2 3 4 5 6 | Electrolux |
| 726990 | 08  | <b>AOFP101CU4</b> | BLAST C/FREEZER 50/50KG 10 GN1/1 LW-240V (cruiser)  | r    | 2 3 4 5 6 | Electrolux |
| 727186 | 02  | <b>AOFP101C2</b>  | BLAST C/FREEZER 50/50KG LW ice cream                | s    | 2 3 4 5 6 | Electrolux |

**note:**

following the tec. doc n°VTX 2010-03 are replacement the food probes

**Pag. Indice**

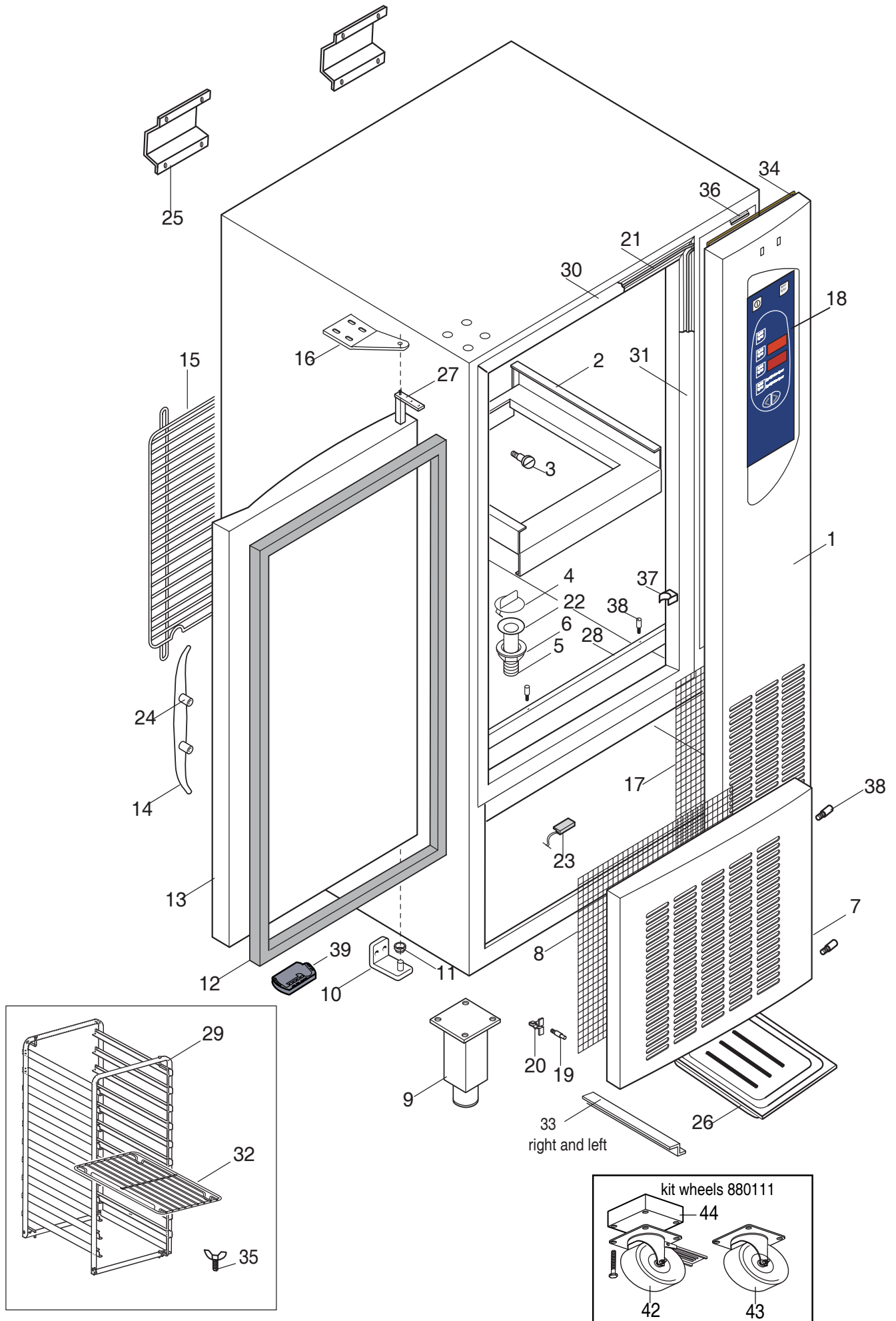
- 2 Armadio
- 3 Lista ricambi
- 4 Gruppo refrigerante
- 5 Lista ricambi
- 6 Lista ricambi

**Index**

- Cabinet
- Spare parts list
- Cooling unit
- Spare parts list
- Spare parts list

(Note: AV\*= codeup date until to number descript)  
(Note:AV\*=codice aggiornato fino al numero descritto)

**Marchio / Brand: Electrolux**  
**Paese / Country: Tutti / All**



**Lenghtwise 10 GN 1/1 50 kg**

| PNC    | REF | PNC    | REF | PNC    | REF | PNC    | REF | PNC    | REF | PNC    | REF |
|--------|-----|--------|-----|--------|-----|--------|-----|--------|-----|--------|-----|
| 726639 | a   | 726634 | b   | 726299 | c   | 726635 | d   | 726640 | e   | 726397 | f   |
| 726477 | g   | 726664 | h   | 726693 | i   | 726694 | l   | 726749 | m   | 726750 | n   |
| 726990 | h   | 726952 | q   | 726990 | r   | 727186 | s   |        |     |        |     |

| POS | CODICE        | DESCRIZIONE                              | DESCRIPTION                                 | REF NOTES                      |
|-----|---------------|--|---|--------------------------------|
| 1   | 099147        | Cruscotto comandi (normal)               | Control panel (normal)                      |                                |
| 1   | 099915        | Cruscotto comandi (cruise)               | Control panel (cruise)                      | i,l,m,n,q,r,s                  |
| 2   | 088326        | Supporto telaio                          | Support for trolley                         |                                |
| 3   | 0A8113        | Perno posteriore sovrastruttura          | Back pin for support trolley                |                                |
| 4   | 088089        | Tappo piletta                            | Plung for pipe                              |                                |
| 5   | 083593        | Portagomma                               | Rubber support for pipe                     |                                |
| 6   | 083592        | Controdado                               | Nut   |                                |
| 7   | 088327        | Pannello                                 | Panel for condenser                         |                                |
| 8   | 088328        | Filtro pannello cond.                    | Still filter for condenser                  |                                |
| 9   | 089651        | Piedino quadro                           | Foot square                                 | <b>until to ser. n°7150001</b> |
| 9   | 048579        | Piedino rotondo                          | Foot rounded                                | <b>from ser. n°7150001</b>     |
| 10  | 088646        | Cerniera inferiore                       | Lower hinge                                 |                                |
| 10  | *             | Piastrina inferiore                      | Lower plate                                 | art.510789200                  |
| 11  | 0A8856        | Boccola cerniera                         | Bush  |                                |
| 11  | 081654        | Boccola cerniera                         | Bush  | i,l,m,n,q,r,s                  |
| 12  | 088331        | Guarnizione magnetica                    | Door gasket                                 |                                |
| 12  | 099109        | Guarnizione magnetica                    | Door gasket                                 | c,h,q,r                        |
| 13  | 088332        | Porta                                    | Door  |                                |
| 13  | 088649        | Porta apx                                | Door apx                                    |                                |
| 13  | 099917        | Porta con scritta "Electrolux"           | Door with write "Electrolux"                | i,l,m,n,q,r,s                  |
| 14  | 088333        | Maniglia                                 | Handle                                      |                                |
| 15  | 088334        | Chiusura posteriore                      | Back grid                                   |                                |
| 16  | 088645        | Cerniera superiore                       | Uper hinge                                  |                                |
| 17  | 088336        | Filtro cruscotto vert.                   | Still filter for control panel              |                                |
| 18  | 088337        | Menbrana cruscotto <b>BCF</b>            | Control panel sticker <b>BCF</b>            | a,e,g                          |
| 18  | 088362        | Menbrana cruscotto <b>BC</b>             | Control panel sticker <b>BC</b>             | b,d,f                          |
| 18  | 099918        | Menbrana cruscotto <b>BC cruise</b>      | Control panel sticker <b>BC cruise</b>      | i,l                            |
| 18  | 099919        | Menbrana cruscotto <b>BCF cruise</b>     | Control panel sticker <b>BCF cruise</b>     | m,n,s                          |
| 18  | 099110        | Menbrana cruscotto <b>BCF usa</b>        | Control panel sticker <b>BCF usa</b>        | c,h                            |
| 18  | <b>091775</b> | Menbrana cruscotto <b>BCF cruise USA</b> | Control panel sticker <b>BCF cruise USA</b> | q,r                            |
| 19  | *             | Perno di riferimento                     | Pin   | art.217533145                  |
| 20  | 053342        | Molla arresto marchio                    | Brand retainig plate clip                   |                                |
| 21  | 088339        | Cavoriscaldante                          | Heating cable                               | a,b,d,e,f,g,i,l,n,m,s          |
| 21  | 099111        | Cavoriscaldante                          | Heating cable                               | c,h,q,r                        |
| 22  | 083591        | Piletta                                  | Discharge pipe                              |                                |
| 23  | 049621        | Sensore magnetico                        | Magnetic sensor                             |                                |
| 24  | 088340        | Distanziale in plastica                  | Spacer for handle                           |                                |
| 25  | 088468        | Distanziali posteriori                   | Back spacer                                 |                                |
| 26  | 080803        | Baccinella di condensa                   | Water discharge basin                       |                                |
| 27  | 083876        | Cerniera porta                           | Hinge door                                  |                                |
| 28  | *099148       | Traversa supporto telaio                 | Support for trolley guide                   |                                |
| 29  | 007083        | Struttura porta teglie                   | Rack support                                | c,h,q                          |
| 29  | 088648        | Struttura porta teglie                   | Rack support                                | a,b,d,e,f,g,i,l,m,n,           |
| 29  | 833R19401     | Struttura porta teglie gelato            | Rack support ice cream                      | s                              |
| 30  | 099914        | Cornice orizzontale                      | Orrizontal frame                            |                                |
| 31  | 089974        | Cornice verticale                        | Vertical frame                              |                                |
| 32  | 099136        | Griglia                                  | Scelves                                     |                                |
| 33  | 089977        | Guida per bacinella                      | Guide for basin                             |                                |
| 34  | 0L0113        | Guarnizione                              | Gasket panel                                |                                |
| 35  | 090008        | Vite ad alette per struttura teglie      | Screw for rack support                      | a,b,d,e,f,g,i,l,m,n,s          |
| 36  | 088264        | Guarnizione per pannello schiumato       | Gascket for foam panel                      |                                |
| 37  | 082118        | Supporto cavo spillone                   | Food probe cable support                    |                                |
| 38  | 089970        | Perno                                    | Pin   |                                |
| 39  | 099909        | Dispositivo ferma porta                  | Door stoper                                 | i,l,m,n,q,r,s                  |
| 42  | 091218        | Ruota con freno                          | Wheel with brake                            | h,c,q,r                        |
| 43  | 091219        | Ruota                                    | Wheel                                       | h,c,q,r                        |
| 44  | 091220        | Distanziale                              | Spacer for wheels                           | h,c,q,r                        |



**Lenghtwise 10 GN 1/1 50 kg**

| PNC    | REF | PNC    | REF | PNC    | REF | PNC    | REF | PNC    | REF | PNC    | REF |
|--------|-----|--------|-----|--------|-----|--------|-----|--------|-----|--------|-----|
| 726639 | a   | 726634 | b   | 726299 | c   | 726635 | d   | 726640 | e   | 726397 | f   |
| 726477 | g   | 726664 | h   | 726693 | i   | 726694 | l   | 726749 | m   | 726750 | n   |
| 726990 | h   | 726952 | q   | 726990 | r   | 727186 | s   |        |     |        |     |

| POS | CODICE        | DESCRIZIONE                             | DESCRIPTION                           | REF NOTES   |
|-----|---------------|---|---------------------------------------|---|
| 51  | 088341        | Evaporatore                             | Evaporator                            | a,b,c,d ,f,g,i,l,m,q,r,h,s                          |
| 51  | 099215        | Evaporatore                             | Evaporator                            | e,n   |
| 52  | 088342        | Ventilatore superiore                   | Upper Ventilator                      | a,b,d,e,f,g,i,l,m,n,s                               |
| 52  | 090086        | Ventilatore superiore                   | Upper Ventilator                      | c,q   |
| 52  | 099506        | Ventilatore superiore                   | Upper Ventilator                      | h,r   |
| 53  | 088344        | Scheda principale (senza cruise)        | Board main (without cruise)           | a,b,c,d,e,f,g,h<br>*(param map.on web site)         |
| 53  | 099911        | Scheda principale (cruiser)             | Board main(cruiser)                   | i,l,m,n,q,r,s *(param map.on web site)              |
| 54  | 088343        | Scheda pulsanti (senza cruise)          | Board user (without cruise)           | a,b,c,d,e,f,g,h                                     |
| 54  | 099912        | Scheda pulsanti (cruiser)old con.ectors | Board user (cruiser) old connectors   | i,l,m,n,q,r,s until to serial n°011600001           |
| 54  | <b>092701</b> | Scheda pulsanti (cruiser)new con.ectors | Board user (cruiser) new connectors   | i,l,m,n,q,r,s from serial n°011700001               |
| 55  | <b>092186</b> | Sonda evaporatore Colore verde          | Probe evaporatore Green color         |   |
| 56  | 088346        | Ventilatore inferiore                   | Lower ventilator                      | a,b,d,e ,f,g,i,l,m,n,s                              |
| 56  | 090085        | Ventilatore inferiore                   | Lower ventilator                      | c,q   |
| 56  | 099509        | Ventilatore inferiore                   | Lower ventilator                      | h,r   |
| 57  | 088652        | Valvola termos.(chiller)                | Thermostatic valve (chiller)          | b,d,f,i,l   |
| 57  | 088347        | Valvola termos. (freezer)               | Thermostatic valve (freezer)          | a,e,n,c,g,m,h,q,s                                   |
| 58  | <b>092704</b> | Sonda spillone (one point) new con.tors | Food probe (one sensor) new con.tors  |   |
| 58  | <b>092705</b> | Sonda spillone (3 points)new con.tors   | Food probe (3 sensors)new con.tors    | q,r,i,l,m,n,s                                       |
| 59  | 085088        | Pressostato                             | Pressure switch                       |   |
| 60  | 083468        | Ricevitore liquidi                      | Liquid container                      | a,b,f,g,i,m,s                                       |
| 60  | 088126        | Ricevitore liquidi                      | Liquid container                      | c,h,q,r   |
| 61  | 091544        | Fusibile alta pressione 90°             | Hight pressure fuse 90°               |   |
| 62  | <b>092177</b> | Sonda cella colore Blu                  | Probe for cell Blu color              |   |
| 63  | 088349        | Condensatore                            | Condenser                             | a,b,f,g,i,m,s until to ser. n°6260001               |
| 63  | 099151        | Condensatore                            | Condenser                             | from ser.n°62600001                                 |
| 64  | 088350        | Ventilatore                             | Motor ventilator                      | a,b,f,g,i,m,s                                       |
| 64  | 090087        | Ventilatore                             | Motor ventilator                      | c,h,q,r   |
| 65  | 088363        | Compressore H 280 cc 50hz               | Compressor H280 cc 50hz               | b,  |
| 65  | 085235        | Compressore k 300 cs                    | Compressor K300 cs                    | a until to Av*06                                    |
| 65  | 099916        | Compressore H 290 cs                    | Compressor H 290 cs                   | a,m,s   |
| 65  | 099152        | Compressore K 250 cs                    | Compressor K 250 cs                   | c until to ser. N 623...                            |
| 65  | 099511        | Compressore H 250 cs                    | Compressor H 250 cs                   | h,c,q,r   |
| 65  | 099650        | Compressore H 280 cc 60hz               | Compressor H 280 cc 60hz              | f,g   |
| 66  | 087438        | Filtro                                  | Filter                                |   |
| 67  | 090088        | Bobina per valvola                      | Coil                                  | c,h,q,r   |
| 67  | 088351        | Bobina per valvola                      | Coil                                  | a,b,f,g,i,m,s                                       |
| 68  | 088602        | Gabbietta per sonda                     | Probe protection                      |   |
| 69  | 088353        | Indicatore di livello                   | Gas level indicator                   |   |
| 70  | 083508        | Interruttore salva mot. Weber 6.3-10A   | Switch for compressor                 | a,b,f,g,i,m,s until to ser. N°738000<br>order N°70a |
| 70  | 083898        | Interruttore salva mot. Weber10-16A     | Switch for compressor                 | c,h, until to ser. N°0738000 order<br>N°70a         |
| 70a | 640r00600     | Interruttore salva mot. ABB 6.3-10A     | Switch for compressor                 | a,b,f,g,i,m,s                                       |
| 70a | 640r00700     | Interruttore salva mot. ABB10-16A       | Switch for compressor                 | c,h,q,r   |
| 71  | 084721        | Condensatore per ventil. 4mf (cond)     | Electric condenser for fan 4mf (cond) | a,b,f,g,i,m,s                                       |
| 71  | 099129        | Condensatore per ventil. 4mf (cond)     | Electric condenser for fan 4mf (cond) | c,h,q,r   |
| 72  | 088477        | Contattore                              | Electronic switch                     | a,b,i,m,s   |
| 72  | 099090        | Contattore                              | Electronic switch                     | c,f,g,h,q,r   |
| 73  | 087662        | Trasformatore                           | Electronic adaptor                    | a,b,d,e ,f,g,i,l,m,n,s                              |
| 73  | 090091        | Trasformatore                           | Electronic adaptor                    | c,q   |
| 73  | 099505        | Trasformatore                           | Electronic adaptor                    | h,r   |
| 74  | 084987        | Filtro elettrico                        | Electric filter                       | a,b,d,e ,f,g,i,l,m,n,s                              |
| 74  | 090092        | Filtro elettrico                        | Electric filter                       | c,h,q,r   |
| 75  | 088354        | Griglia ventilatore cella               | Protection grid for cell fan          |   |
| 76  | 088355        | Deflettore post. evapo.                 | Back conveyor air                     |   |

**Lenghtwise 10 GN 1/1**

| PNC    | REF | PNC    | REF | PNC    | REF | PNC    | REF | PNC    | REF | PNC    | REF |
|--------|-----|--------|-----|--------|-----|--------|-----|--------|-----|--------|-----|
| 726639 | a   | 726634 | b   | 726299 | c   | 726635 | d   | 726640 | e   | 726397 | f   |
| 726477 | g   | 726664 | h   | 726693 | i   | 726694 | l   | 726749 | m   | 726750 | n   |
| 726990 | h   | 726952 | q   | 726990 | r   | 727186 | s   |        |     |        |     |

| POS | CODICE | DESCRIZIONE                         | DESCRIPTION                              | REF \NOTES               |
|-----|--------|-------------------------------------|--|--------------------------|
| 77  | 088356 | Bacinella evaporatore               | Basin for evaporator                     |                          |
| 78  | 088357 | Deflettore ant. evapo.              | Front conveyor air                       |                          |
| 79  | 084085 | Corpo valvola                       | Valve                                    | a,b,f,g,i,m,s            |
| 79  | 090093 | Corpo valvola                       | Valve                                    | c,h,q,r                  |
| 80  | 088556 | Morsettiera                         | Clamp                                    |                          |
| 81  | 088197 | Relè RA (pressostato)62.82.8.230    | Relè RA (Pressure switch)                |                          |
| 83  | 083215 | Relè RS (sbrinamento)60.62.8.230    | Relè RS (Defrost)                        | a,e,g,m,n,s              |
| 84  | 056510 | Relè RG ( scheda principale)        | Relè RG (board main)60.63.8.024          |                          |
| 85  | 083499 | Fusibile 6.3A(5X20)                 | Fuse                                     |                          |
| 85  | 090095 | Fusibile                            | Fuse                                     | c,h,q,r                  |
| 87  | 088359 | Cerniera per carter                 | Hinge for carter                         |                          |
| 90  | 088478 | Porta fusibile                      | Fuse support                             |                          |
| 91  | 088480 | Giunto antivibrante Ø16mm           | Vibration-damping joint Ø 16 mm          |                          |
| 91  | 088479 | Giunto antivibrante Ø12mm           | Vibration-damping joint Ø 12 mm          |                          |
| 92  | 083406 | Condensatore da 5 mf per vent. cell | Electric condenser 5 mf for cell.ventil. | a,b,d,f,g,i,l,m,s        |
| 92  | 090089 | Condensatore da 5 mf per vent. cell | Electric condenser 5 mf for cell.ventil. | c,h,q,r                  |
| 93  | 088345 | Sonda condensatore ambiente         | Probe room/condenser                     |                          |
| 94  | 088628 | Filtro elettrico                    | Electric filter                          |                          |
| 95  | 090094 | Fusibile per trasformatore          | Voltage adaptor fuse                     | c,q                      |
| 95  | 099513 | Fusibile per trasformatore          | Voltage adaptor fuse                     | h,r                      |
|     | *      | Scheda principale per Haccp         | Haccp main board                         | *(param map.on web site) |
|     |        | Scheda haccp                        | Haccp board                              |                          |
| 98  | 088653 | Distanziale per scheda              | Spacer for user board                    |                          |
| 99  | 088567 | Termostato di sicurezza             | Safety thermostat                        | e,n                      |
| 100 | 088565 | Resistenza a stelo per evaporatore  | Heating element for evaporator           | e,n                      |
| 101 | 099214 | Resistenza bacinella evaporatore    | Heating element for evaporator basin     | e,n                      |
| 102 | 099727 | Protettore termico per compressore  | Thermic protection for compressor        | h,c,q,r (krivan)         |