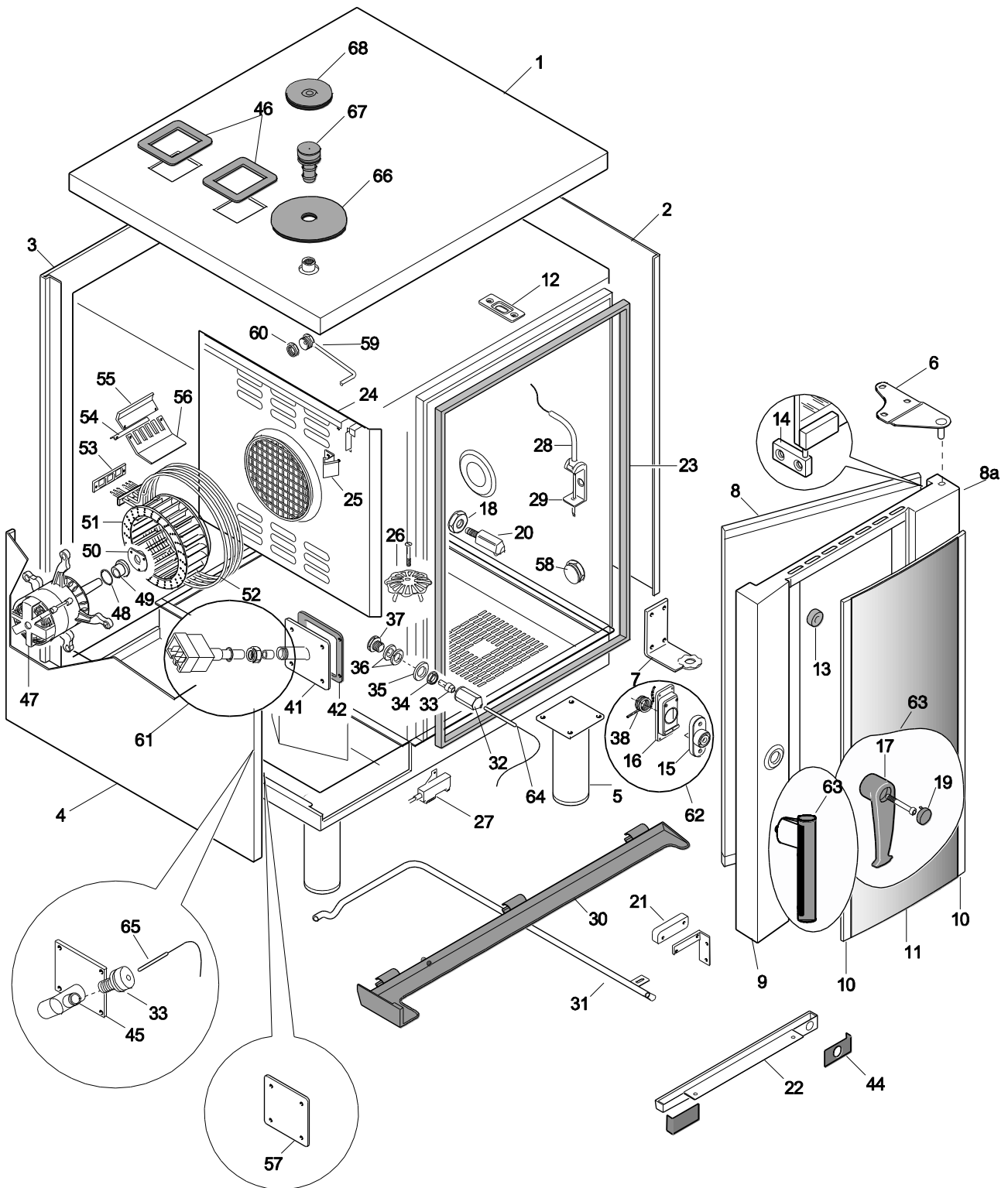


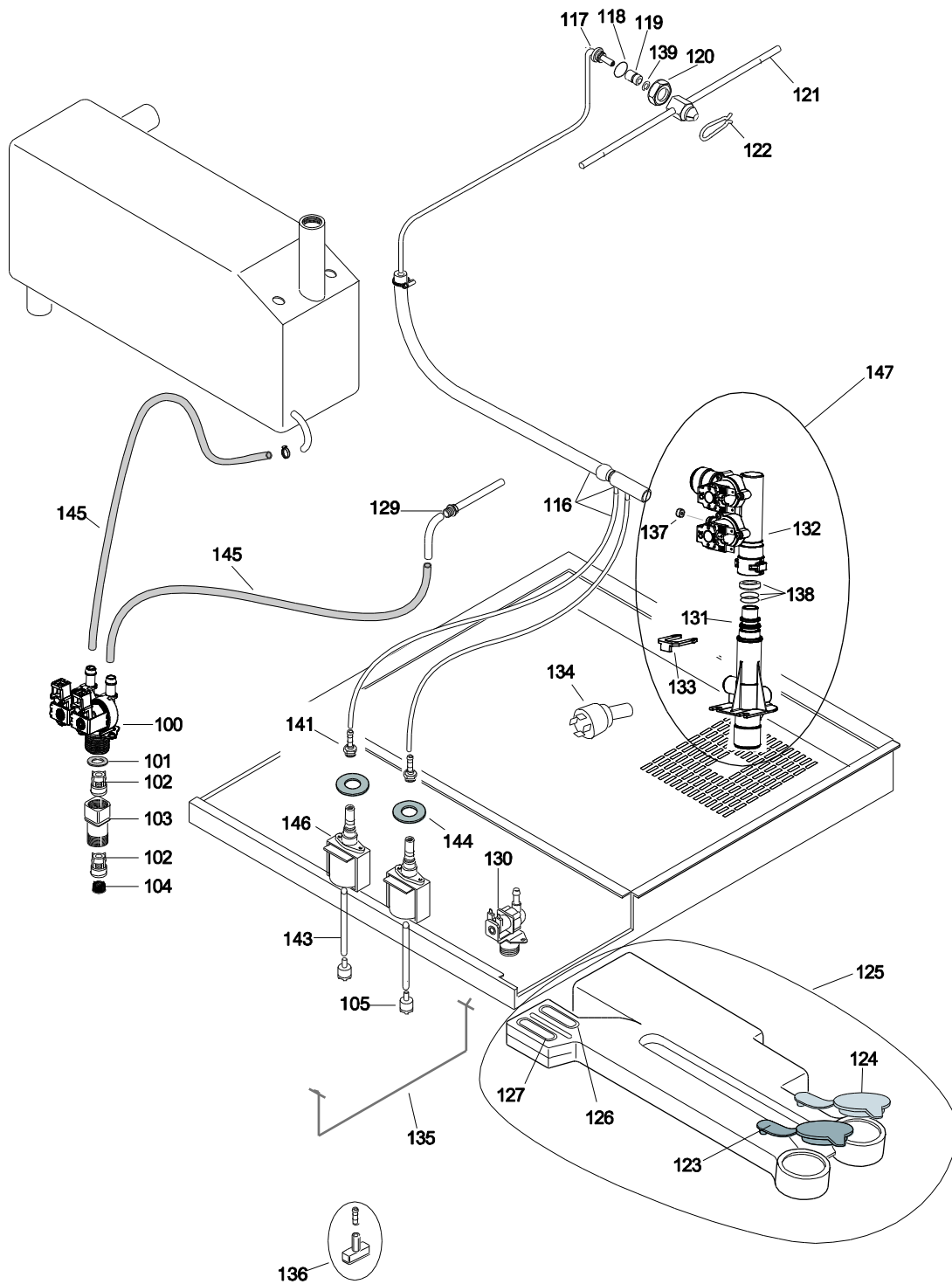
**06 GN 2/1 ELECTRIC CONVECTION / STEAM OVEN**  
**FORNO CONVEZIONE / VAPORE ELETTRICO 06 GN 2/1**

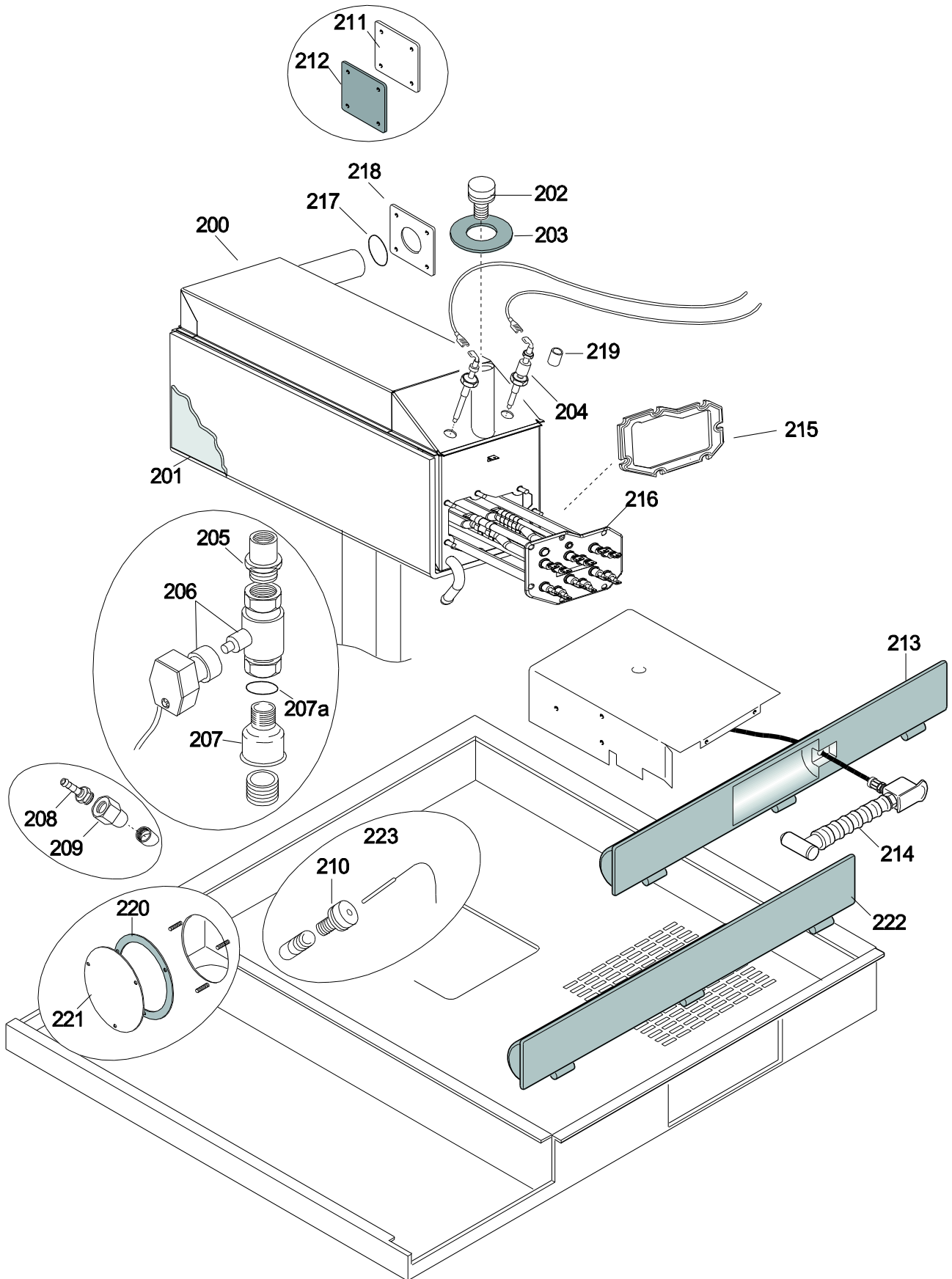
PNC	Model	Ref	Group	Level	Page	Notes
266371	AOS062EKM1	d	AOS	Level K	2...10	208V 3 60Hz USA
266381	AOS062EKV1	f	AOS	Level K	2...10	480V 3 60Hz USA
267371	AOS062ETM1	a	AOS	Touch	2...10	208V 3 60Hz USA
267381	AOS062ETV1	b	AOS	Touch	2...10	480V 3 60Hz USA
269371	AOS062ECM2	c	AOS	Level C	2...10	208V 3 60Hz USA
269381	AOS062ECV1	e	AOS	Level C	2...10	480V 3 60Hz USA

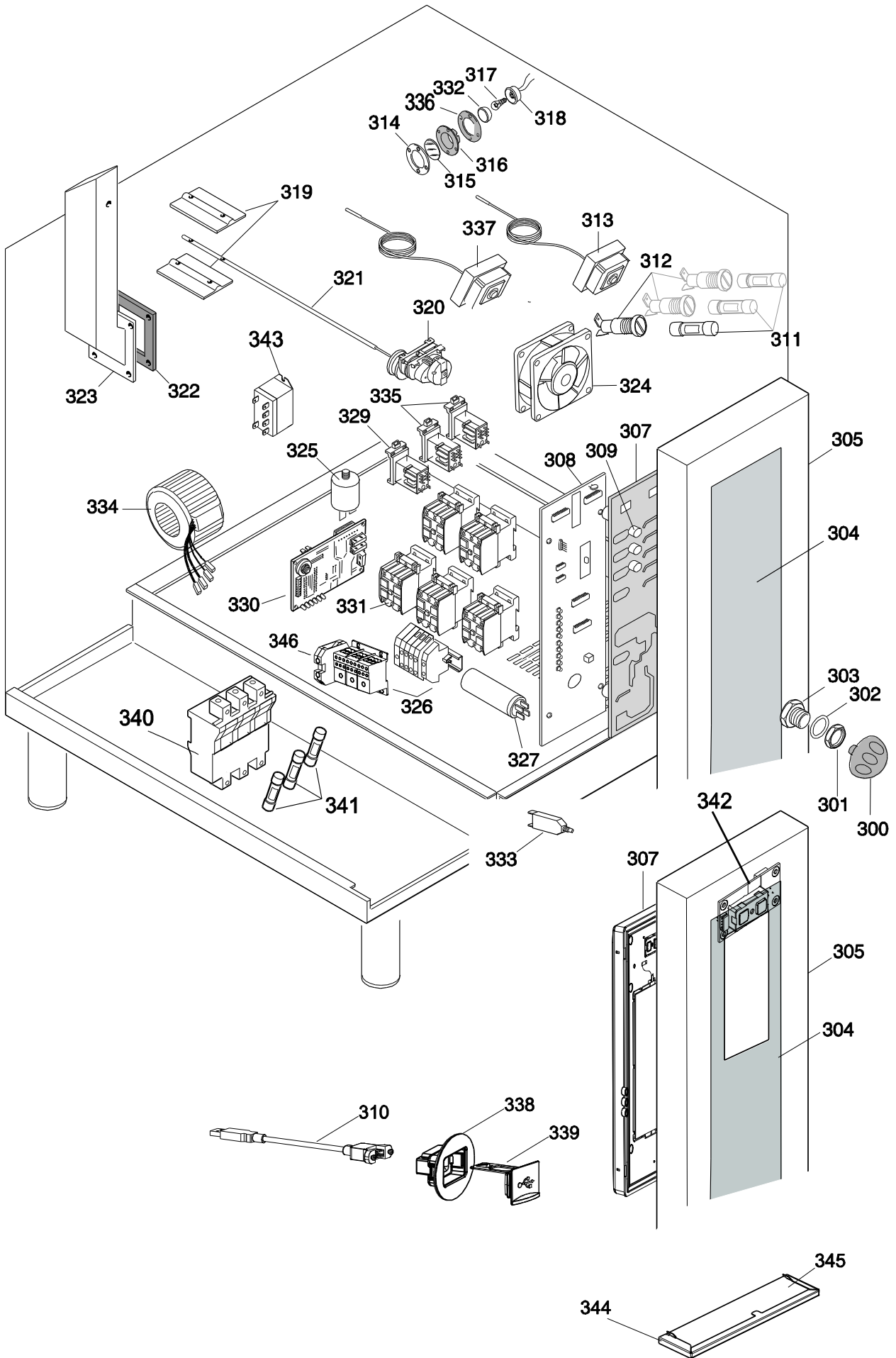
Pag	Index	Indice	Note
2	Oven cabinet and door.	Cella forno e porta	
3	Water system	Impianto idraulico	
4	Boiler	Boiler	
5	Electrical components	Componenti elettrici	
6	Accessories	Accessori	
7...10	Spare parts list	Lista ricambi	

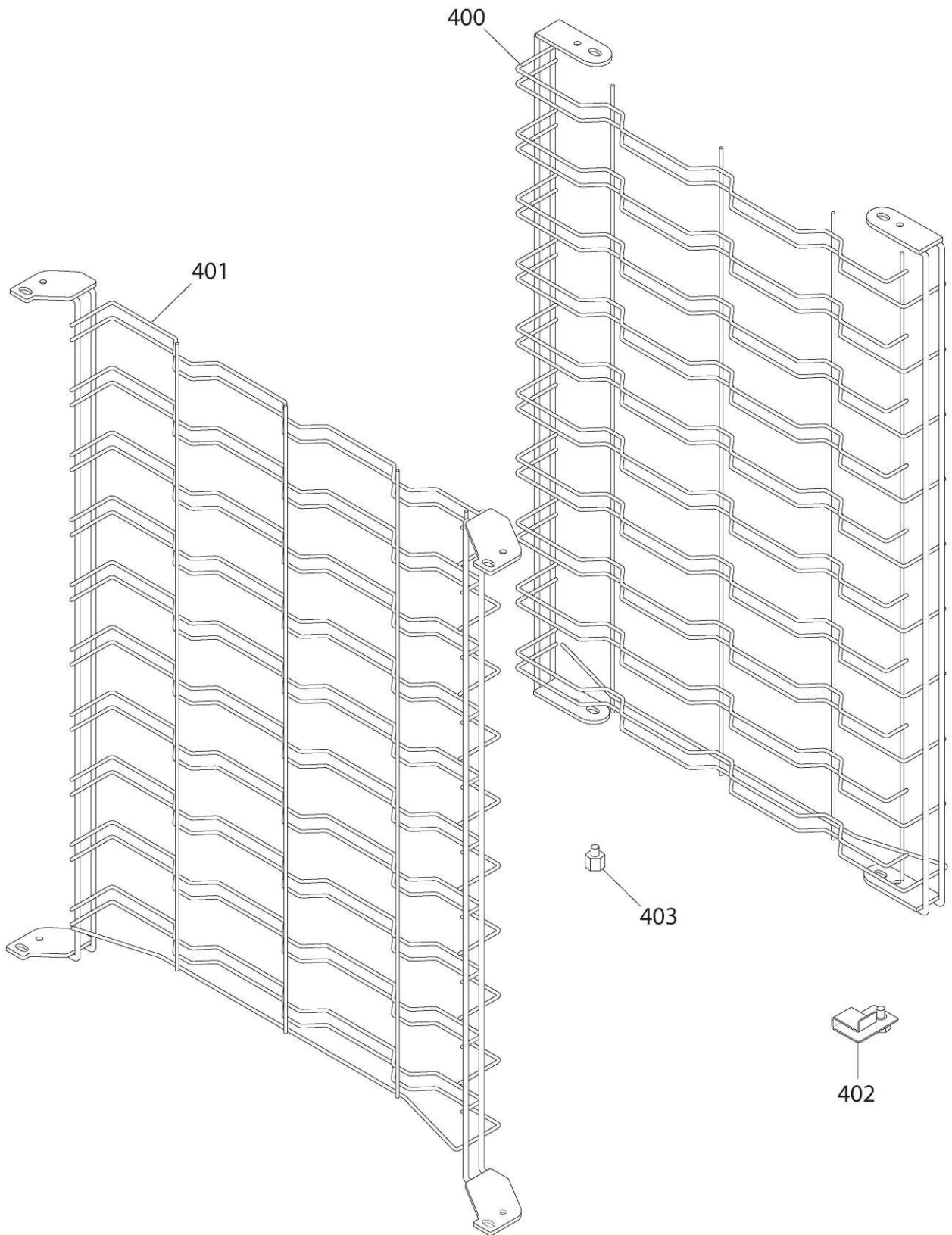
Brand/Marchio: All  
Factory code: 9PDD











**06 GN 2/1 ELECTRIC CONVECTION / STEAMER OVEN**  
**FORNO CONVEZIONE / VAPORE ELETTRICO 06 GN 2/1**

<i>Pos</i>	<i>Factory Code</i>	<i>6DGT Code</i>	<i>Descrizione</i>	<i>Description</i>	<i>Ref./Note</i>
			<b>Pagina 2</b>	<b>Page 2</b>	
1	0530891400	0C6178	COPERCHIO	COVER	
2	0530891000	0C6175	FIANCO DX	RIGHT SIDE PANEL	
3	0530892900	0C6192	SCHIENALE	BACK PANEL	
4	0530893500	0C6198	FIANCO SX	LEFT SIDE PANEL	
<b>5</b>	<b>0831842202</b>	<b>0C4233</b>	<b>PIEDINO</b>	<b>FOOT</b>	
6	0806847803	0C4234	CERNIERA SUPERIORE	UPPER HINGE	
7	0806861600	0C4235	CERNIERA INFERIORE	LOWER HINGE	
8	0873869802	0C5408	VETRO INTERNO	INNER GLASS	
9	0879400600	0C6708	PORTA COMPLETA	COMPLETE DOOR	
*	0850400Q00	0C6705	TELAIO PORTA	DOOR CHASSIS	
10	0806859202	0C4478	PROFILO DX-SX	RIGHT AND LEFT TRIM	
11	0574400200	0C6702	VETRO ESTERNO	EXTERNAL GLASS	
12	0543839700	0C4088	GUARNIZIONE FLANGIA SPILLONE	GASKET	
13	0543828001	006976	AMMORTIZZATORE	DAMPER	
14	0806822000	007007	CERNIERA VETRO INTERNO	HINGE, INNER GLASS	
15	0835871801	0C4089	GR.CHIUSURA A SCATTO 'HRS'	CLOSING MECHANISM	
16	0510824200	0C4237	SUPPORTO GR.CHIUSURA	SUPPORTO	
17	*	*	*	*	
18	0516896400	0C4238	DADO FISSAGGIO	NUT FOR DOOR CATCHER	
19	*	*	*	*	
20	0806859900	0C4092	NASELLO SINGOLO SCATTO	DOOR CATCHER	
21	0699603700	049627	MAGNETE	MAGNET	
22	0528869602	0C4292	VASCHETTA RACC.CONDENSE	DOOR DRAIN TRAY	
23	0543843400	0C5407	GUARNIZIONE CELLA-PORTA	GASKET DOOR-CAVITY	
24	0831846702	0C5436	PARETE DI ASPIRAZIONE	SUCTION WALL	
25	0518807301	0C3423	MOLLA AGGANCIO PARETE	SPRING	
26	0518808700	0C2769	FILTRO FONDO	FILTER	
27	0654600000	049621	INTERRUTTORE MAGNETICO	MAGNETIC SWITCH	
28	0831831001	0C4240	SPILLONE CURVO MULTIPOINT	MEAT PROBE MULTI POINT	for Level Touch, K
28	0831830702	0C4241	SPILLONE CURVO SINGOLO PUNTO	MEAT PROBE SINGLE POINT	for Level C
29	0518816600	0C4822	SUPPORTO SPILLONE	MEAT PROBE SUPPORT	
30	0856814101	0C4298	BACINELLA SNODABILE	DRAIN TRAY	
31	806858901	0C4293	TUBO PER CONDENSE 2/1	DRAIN TUBE	
32	0516855300	006991	DADO SONDA CELLA	NUT, CAVITY PROBE	
33	0543842600	0C4872	TAPPO PER SENSORE	STOPPER FOR SENSOR	
34	0214105101	020997	CONTRODADO PORTAUGELLO	LOCK NUT	
35	0508838701	002700	RONDELLA TENUTA SONDA	WASHER	
36	0543816300	002624	GUARNIZIONE PER TENUTA	GASKET	
37	0516809400	002623	RACCORDO SONDA CELLA	CONNECTION, CAVITY PROBE	
38	0518818000	0C8561	MOLLA PER CHIUSURA	SPRING	
41	0806857201	0C4244	COND. FLANGIATO SONDA LAMBDA	FLANGE TUBE	for Level Touch
42	0543838300	0C4093	GUARNIZIONE BYPASS/LAMBDA	GASKET	for Level Touch
44	0543841300	0C4094	GUARN. VASC. CONDENSE PORTE	GASKET	
46	0543832100	0C1194	GUARN. CONDOTTO ARIA-COP.	GASKET, DUCT	
47	0611400500	0C6704	MOTORE	MOTOR	for Level Touch 208V
47	0611810000	0C6563	MOTORE	MOTOR	for Level C e K 208V
47	0611400200	0C6937	MOTORE	MOTOR	for 480V
48	0543816700	002873	O RING	O RING	
49	0516808902	002699	CUSCINETTO	BEARING	
50	0538815400	0C4138	FLANGIA FISS.TENUTA MOTORE	FLANGE	
51	0831804903	0C1172	VENTOLA	FAN	
52	0617835101	0CA209	RESISTENZA (7 kW/208V)	HEATING ELEMENT (7 kW/208V)	For 208V Version
52	0617400601	0CA332	RESISTENZA (7 kW/480V)	HEATING ELEMENT (7 kW/480V)	For 480V Version
53	0543816501	002689	GUARNIZIONE RESISTENZE CELLA	GASKET, HEATING ELEMENT	

<b>06 GN 2/1 ELECTRIC CONVECTION / STEAMER OVEN FORNO CONVEZIONE / VAPORE ELETTRICO 06 GN 2/1</b>					
<b>Pos</b>	<b>Factory Code</b>	<b>6DGT Code</b>	<b>Descrizione</b>	<b>Description</b>	<b>Ref./Note</b>
54	0527834500	006253	ANGOLARE RESISTENZE	SUPPORT	
55	0527856600	0C1175	LAMA FISSAGGIO RESISTENZE	SUPPORT	
56	0527856500	0C1174	SUPPORTO RESISTENZE	SUPPORT	
57	0527898900	0C4857	PIASTRA CHIUSURA	FLANGE	for Level C,K
59	0856828501	0C4976	CONDOTTO UMIDIFICATORE	HUMIDIFIER PIPING	for Level C,K
60	0516887101	0C6228	DADO CONDOTTO	NUT HUMIDIFIER	for Level C,K
61	*	0C6465	KIT SONDA LAMBDA	LAMBDA KIT	for Level Touch
62	0835872001	0C4477	ASSIEME CHIUSURA PORTA	COMPLETE CLOSING MECH.	
63	0830400500	0C6569	ASSIEME MANIGLIA	DOOR HANDLE	
64	0830898902	0C6538	SENSORE TEMPERATURA	TEMP. PROBE	
65	0830899101	0C6539	SENSORE TEMPERATURA	TEMP. PROBE	
66	0543400900	0C7016	GUARNIZIONE PER TUBO	PIPE GASKET	
67	0543816601	002692	TAPPO CARICO DISINCROST.	RECHARGE CAP FOR SCALER	
68	0543843201	0C4965	GOMMINO CHIUSURA ING.DISIN	GASKET	
			<b>Pagina 3</b>	<b>Page 3</b>	
100	0696808400	0C5517	ELETTROVALVOLA 2 VIE	WATER VALVE 2 WAYS	for Level Touch
101	0543840600	0C4096	GUARNIZIONE FILTRO REFLEX	GASKET	for Level Touch
102	0549801800	0C2312	VALVOLA NON RITORNO	NOT RE-FLOW VALVE	for Level Touch
103	0516879400	0C2313	RACCORDO ENTRATA ACQUA	PIPE FITTING	for Level Touch
105	0831811400	0C1155	ASSIEME FILTRO	FILTER	
*	-	0C2309	TUBO INGRESSO POMPE	INLET PUMP PIPE	
116	0805400300	0C6203	ASSIEME COLLETTORE	CONNECTION,C.S.	for Level Touch
117	0806871200	0C5430	ASS. SUPPORTO GETTO	SUPPORT	for Level Touch
118	0543841400	0C4201	GUARNIZIONE IN RAME	COPPER GARKET	for Level Touch
119	0516898301	0C4467	CUSCINETTO GETTO ROTANTE	BEARING	for Level Touch
120	0516896000	0C4202	DADO	NUT	for Level Touch
121	0806873900	0C5503	GETTO ROTANTE	ROTATING WASHING JET	for Level Touch
122	0518807100	007026	MOLLA	SPRING	for Level Touch
123	0544808100	0C1151	TAPPO PER SERBATOIO BLU	BLUE CUP	for Level Touch
124	0544808200	0C1152	TAPPO PER SERBATOIO ROSSO	RED CUP	for Level Touch
125	0544808001	0C4426	SERBATOIO DETERGENTE-BRIL	TANK	for Level Touch
126	0544808900	0C1154	PARATIA PER SERBATOIO ROSSO	RED BULKHEAD	for Level Touch
127	0544808400	0C1153	PARATIA PER SERBATOIO BLU	BLUE BULKHEAD	for Level Touch
129	0H22982800	007075	TUBO UMIDIFICATORE	HUMIDIFIER PIPE	for Level Touch
129	0856828700	0C4978	TUBO UMIDIFICATORE	HUMIDIFIER PIPE	for Level C,K
130	0696808200	0C5515	ELETTROVALVOLA	WATER VALVE	for Level C,K
131	0831857200	0C6370	ASSIEME COLLETTORE LAV.	CONNECTION,C.S.	
132	0878400Q08	*	GRUPPO VALVOLE CLEANYNG	VALVE GROUP C.S.	for Level TOUCH, K
132	0878400A10	*	GRUPPO VALVOLE CLEANYNG	VALVE GROUP C.S.	for Level C
133	0546825100	0C6222	FORCELLA SICUREZZA	CLIP	
134	0646817200	0C6217	PRESSOSTATO ATTACCO RAPID	WATER PRESSURE SWITCH	
135	0513805000	0C5426	STAFFA SUPPORTO SERBATOIO	SUPPORT PLATE	
136	0546824100	0C6201	GANCIO SERBATOIO	HOOK	
137	-	0C6375	KIT RIDUTTORI	FLOW REDUCER KIT	
138	-	061303	KIT O-RING +BUSSOLA	O-RING +BUSH KIT	
139	0219035015	0C6421	ANELLO ELASTICO	ELASTIC RING	
141	0544400C02	0CA348	VITE TTL	TTL SCREW	
143	0546814600	0C2309	TUBO EXT	EXT. PIPE	
144	0246530100	005382	GOMMINO	GASKET	
145	0544819400	0C5829	TUBO EPDM BLU	EPDM PIPE	
146	0686400201	0CA112	POMPA CEME	CEME PUMP	
147	0835400L00	0C8683	GRUPPO ENTRATA ACQUA	GROUP WATER INLET	
147	0835400M00	0C8684	GRUPPO ENTRATA ACQUA	GROUP WATER INLET	For level C
			<b>Pagina 4</b>	<b>Page 4</b>	
200	0878401200	0C9663	KIT ASSIEME BOILER	BOILER ASS.Y KIT	for Level Touch
201	0831857300	0C6021	KIT ISOLAMENTO	INSULATION KIT	for Level Touch
202	0543816601	002692	TAPPO	STOPPER	for Level Touch
203	0543817500	002634	GUARNIZIONE	GASKET	for Level Touch

**06 GN 2/1 ELECTRIC CONVECTION / STEAMER OVEN**  
**FORNO CONVEZIONE / VAPORE ELETTRICO 06 GN 2/1**

<i>Pos</i>	<i>Factory Code</i>	<i>6DGT Code</i>	<i>Descrizione</i>	<i>Description</i>	<i>Ref./Note</i>
203	0543843201	0C4965	GUARNIZIONE	GASKET	for Level C,K
204	0830890501	007033	SONDA DI LIVELLO	LEVEL PROBE	for Level Touch
205	0516809501	007117	RACCORDO	CONNECTION	for Level Touch
206	0696808500	0C5518	VALVOLA DI SCARICO	DRAIN VALVE	for Level Touch
207	0511820300	0C3847	MANICOTTO 1"-3/4"	CONNECTION 1"-3/4"	for Level Touch
207a	0543816800	002874	O-RING	SEALING RING	
208	0516872000	0C1626	RESCA D12 FILETT 1/4' GAS	PIPE CONNECTION	for Level Touch
209	0511830600	0C5406	UGELLO ELPIS 1/4 FD 8 3/8' M	NOZZLE	for Level Touch
210	0543842600	0C4872	TAPPO PER SENSORE	STOPPER FOR SENSOR	
211	0527898700	0C4856	FLANGIA CHIUS.FORO BOILER	FLANGE	for Level C,K
212	0543842800	0C4963	GUARN. CHIUSURA FORO BOILER	GASKET	for Level C,K
213	0546818503	0C4533	PANNELLO FRONTALE INFERIORE	PANNEL	for Level Touch
214	0873881200	0C4248	DOCETTA MINIREEL KLARCO AOSQ	SHOWER	for Level Touch
215	0543844800	0C5834	GUARNIZIONE RESISTENZA	GASKET	for Level Touch
216	0617837200	0C5822	RESISTENZA BOILER (20 kW/208V)	HEAT. ELEM., BOIL. 20 kW/208V	a
216	0617400200	0C6940	RESISTENZA BOILER (20 kW/480V)	HEAT. ELEM., BOIL. 20 kW/480V	b
217	0543816800	002874	OR BOILER	OR BOILER	for Level Touch
218	0527898600	0C4821	FLANGIA BOILER	FLANGE	for Level Touch
219	0515857001	055347	DISTANZIALE PER SONDA L=9	SPACER	for Level Touch
220	0543400000	0C7033	GUARNIZIONE PORTELLO	GASKET	for level TOUCH
221	0J89061403	0C3443	PORTELLO ISPEZIONE	INSPECTION COVER	for Level Touch
222	0546821501	0C4966	PANNELLO FRONTALE INFERIORE	PANEL	for Level C, K
223	0830899101	0C6539	SONDA BYPASS 1100 BIANCO	BYPASS PROBE 1100mm WHITE	for Level Touch
			<b>Pagina 5</b>	<b>Page 5</b>	
300	0548872200	0C4875	MANOPOLA	HANDLE	for Level C
301	0214114900	051263	CONTRODADO	LOCK NUT	for Level C
302	0508836400	002727	RONDELLA	DISK	for Level C
303	0516807301	002662	BOCCOLA	BUSH	for Level C
304	0548400403	0C6548	MEMBRANA TOUCH	LAYER TOUCH	for Level Touch
304	0548401500	0C7959	MEMBRANA LIV.C (1/2 VELOCITA)	LAYER LEV.C (1/2 SPEED)	for Level C
304	0548401F00	0C8705	MEMBRANA LIV. TOUCH "K"	LAYER TOUCH "K" AOS MODELS	For Level Touch "K"
305	0875401705	0C6706	CRUSCOTTO TOUCH CON MEMBRANA	CONTROL PANEL TOUCH WITH LAYER	for Level Touch
305	0870400H02	0C6707	CRUSCOTTO LIV. C (NO MEMBRANA)	CONTROL PANEL LEV. C (NO LAYER)	for Level C
305	0875401V00	0C8712	CRUSCOTTO LIV.TOUCH "K" CON MEMBRANA	CONTROL PANEL TOUCH "K" WITH LAYER	For Level Touch "K"
307	0675400P02	0CA070	SCHEDA USER INTERFACE	USER INTERFACE	for Level TOUCH, K
307	0675854602	0C7350	SCHEDA USER INTERFACE LIV. C (1/2 VELOCITA)	USER INTERFACE BOARD, LEV. C (1/2 SPEED)	for Level C
308	0675400801	0C6570	SCHEDA POWER COP20	POWER CONTROL BOARD	for Level Touch,K
308	0675837814	0C0042	SCHEDA POWER COP20	POWER CONTROL BOARD	for Level C
309	0546824600	0C5833	PROLUNGA PULSANTE	BUTTON ESTENSION	
310	0638400Y00	0C6566	CAVO USB	USB CABLE	for Level Touch
311	0652803300	0C1480	FUSIBILE RITARDATO 6.30 A	FUSE 6.3 A	
311	0652800701	0C5431	FUSIB. 10A 5X20 RAPIDO	FUSE FAST 5X20 10 A	for Level C,K
311	0652400000	0C6946	FUSIB. T3,15 A	FUSE T 3,15A	for 480V
311	0652806100	0C4996	FUSIB.5x20 3.15A T	FUSE 5x20 3.15A T	for e,f models
312	0652802100	0F0031	PORTAFUSIBILE	FUSE HOLDER	
313	0646810802	006314	LIMITATORE, CELLA	LIMITER, CAVITY	
314	0508840801	002628	FLANGIA	FLANGE	
315	0574804900	002627	VETRO	GLASS	
316	0543842000	002626	GUARNIZIONE	GASKET	
317	0660400100	0C9877	LAMPADA ALOGENA	HALOGEN LAMP	
318	0660807000	0C1200	PORTALAMPADA	LAMP HOLDER	
319	0538804000	0C1169	FARFALLA	CLOSER	
320	0680802B00	0C8695	MOTORIDUTTORE	MOTOREDUCER	
321	0856832500	0C5523	ASTA	SHAFT	
322	0543832200	0C1168	GUARNIZIONE	GASKET	

<b>06 GN 2/1 ELECTRIC CONVECTION / STEAMER OVEN FORNO CONVEZIONE / VAPORE ELETTRICO 06 GN 2/1</b>					
<b>Pos</b>	<b>Factory Code</b>	<b>6DGT Code</b>	<b>Descrizione</b>	<b>Description</b>	<b>Ref./Note</b>
323	0831848101	-	CONDOTTO ARIA	DUCT, AIR	
324	0624811000	0C4106	VENTILATORE	FAN	
326	0639629T00	-	MORSETTIERA	TERMINAL BOARD	For 208V
326	0639808600	0F0112	MORSETTIERA	TERMINAL BOARD	For 480V
327	0694800700	0C1186	CONDENSATORE 31,5 Mf	CAPACITOR 31,5 Mf	c
329	0648722900	088267	RELE	RELE	for 208V
330	0624807002	007047	ALIMENTATORE SWITCHING	SWITCHING FEEDER	for Level Touch
331	0648807300	088477	CONTATTORE K3-10A	CONTACTOR K3-10A	b
331	0648613200	0L0355	CONTATTORE K3-24	CONTACTOR K3-24	a b
331	648807800	007104	CONTATTORE K3 40A	CONTACTOR K3-40A	a c d e f
331	0648400000	088557	CONTATTORE K1-09D10	CONTACTOR K1-09D10	For 480V
332	0509803900	0C4459	RIFLETTORE	REFLECTOR	
333	*	*	*	*	
334	0624400002	0C6945	TRASFORMATORE	TRANSFORMER	
335	0648802601	056466	RELE	RELE	for Level Touch
336	0543843500	0C5451	GUARNIZIONE	GASKET	
337	0646810902	006433	LIMITATORE, BOILER	LIMITATORE, BOILER	a b d
338	0546400200	0C6547	SUPPORTO USB	USB SUPPORT	
339	0541400A00	0C6546	COPERTURA USB	USB COVER	
340	0648400A00	0CA210	PORTAF.SIEMENS 22X58 125A	FUSE HOLDER 22X58 125A	For 208V
341	0652803600	0C2245	FUSIBILE RAPIDO 22X58 FF80 A	FUSE FAST 22X58 FF80 A	
342	0675858601	0C8033	TASTO ON-OFF(INT.PRINCIPALE)	ON-OFF (MAIN SWITCH)	For Touch level
343	0648722900	088267	RELE' SICUREZZA	SECURITY RELE	
344	0831851202	0C4936	ASSIEME FILTRO CRUSCOTTO	ASS. FILTER CONTROL PANEL	
345	0549400K00	0C9992	FILTRO CRUSCOTTO	FILTER CONTROL PANEL	
346	063962BJ00	0L3082	MORSETTO TERRA 35MMQ	GROUND TERMINAL BLOCK 35 MMQ	For 208V
			<b>Pagina 6</b>	<b>Page 6</b>	
400	0831850601	0C5827	ELEMENTO DX	RIGHT ELEMENT	
401	0831850701	0C5828	ELEMENTO SX	LEFT ELEMENT	
402	0806872800	0C4961	SUPPORTO CON S.G.	SUPPORT	
403	0511828100	0C5620	SUPPORTO	SUPPORT	
			<b>SONDE DI TEMPERATURA</b>	<b>TEMPERATURE PROBES</b>	
	0830898902	0C6538	SONDA CELLA 500mm ROSSA	CAVITY PROBE 500mm RED	
	0830899002	0C0325	SONDA BOILER 800mm AZZURRA	BOILER PROBE 800mm BLUE	for Level Touch
	0830899101	0C6539	SONDA BYPASS 1100 BIANCO	BYPASS PROBE 1100mm WHITE	for Level Touch and K