

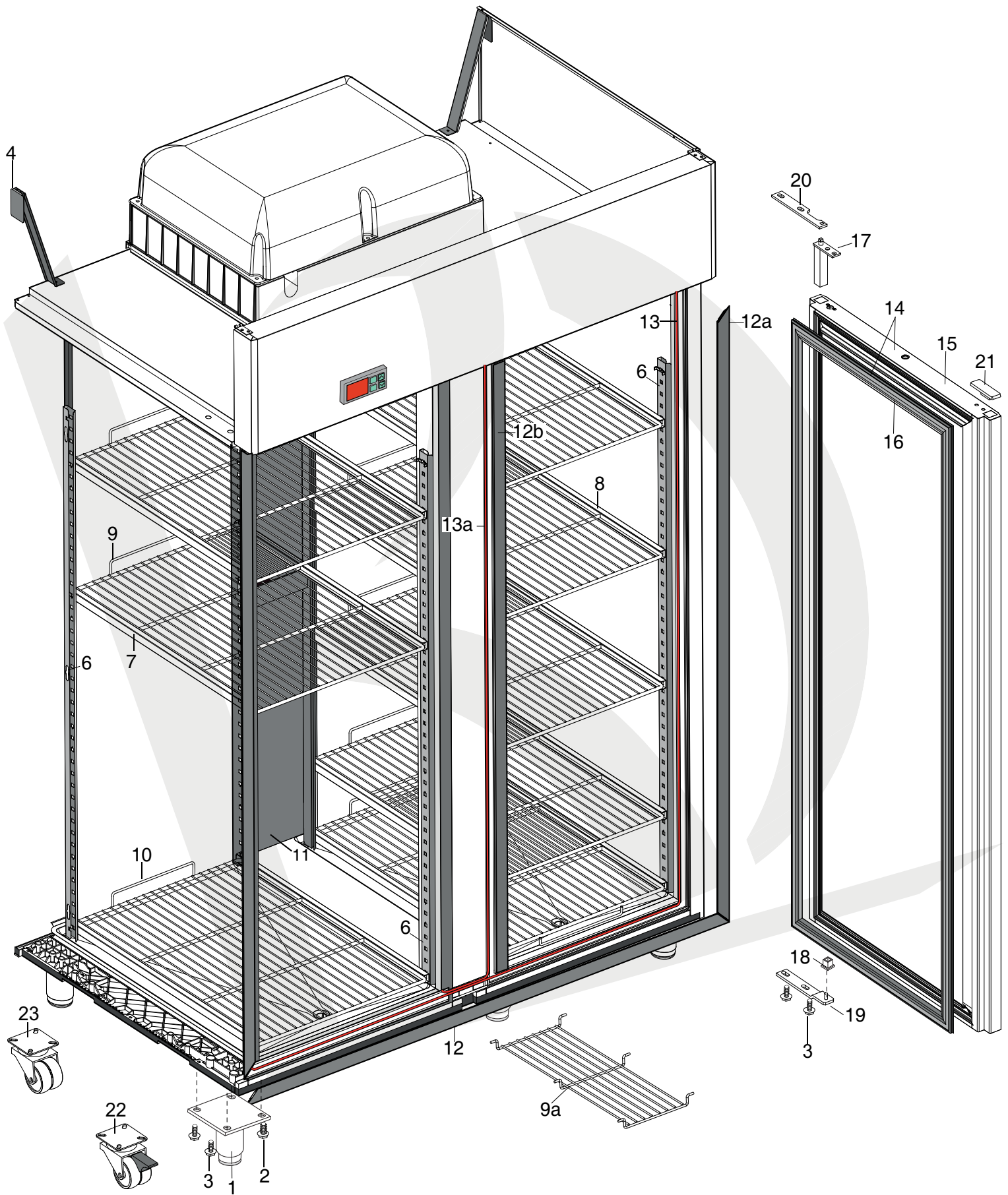
CABINETS MASS/GAB

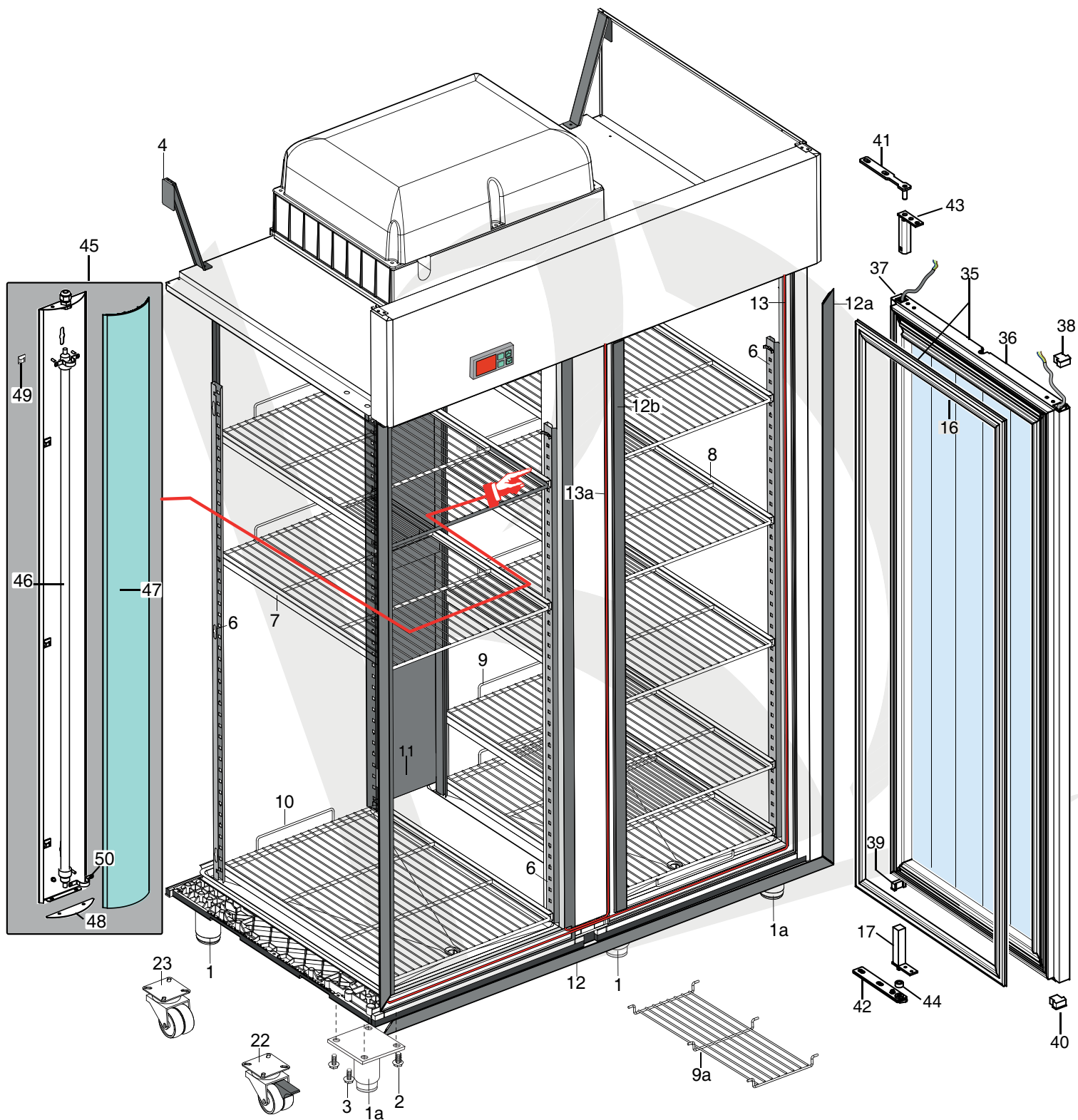
PNC	Avv. Model	Ref.	Page
727282	00/01 FV 2M MASS -2°/+10° FULL 304/304 EU	a	2, 5, 6
727283	00/01 FV 2M MASS +2°/+10° Glass Doors 304/304 EU	b	3, 5, 6
727284	00/00 FV 2M MASS -2°/+10° 4½ Doors 304/304 EU	c	4, 5, 6
727295	00/01 FV 2M GAB 0°/+6° FULL 430/430 EU	d	2, 5, 6
727296	00/00 FV 2M GAB +2°/+10° Glass Doors 430/430 EU	f	3, 5, 6
727336	00/01 FV 2M GAB -2°/+10° FULL 304/304 Ncap	e	2, 5, 6
727363	00/01 FV 2M MASS 0°/+6° FULL 304/304 UK	g	2, 5, 6
727364	00/01 FV 2M MASS +2°/+10° Glass Doors 304/304 UK	l	3, 5, 6
727375	00/01 FV 2M GAB 0°/+6° FULL 430/430 UK	h	2, 5, 6
727376	00/00 FV 2M GAB +2°/+10° Glass Doors 430/430 UK	m	3, 5, 6
727501	00/00 FV 2M MASS +2°/+10° Glass Doors 304/304 EU	n	3, 5, 6
728708	00/01 FV 2M MASS 0°/+6° FULL 304/304 Digrim	i	2, 5, 6

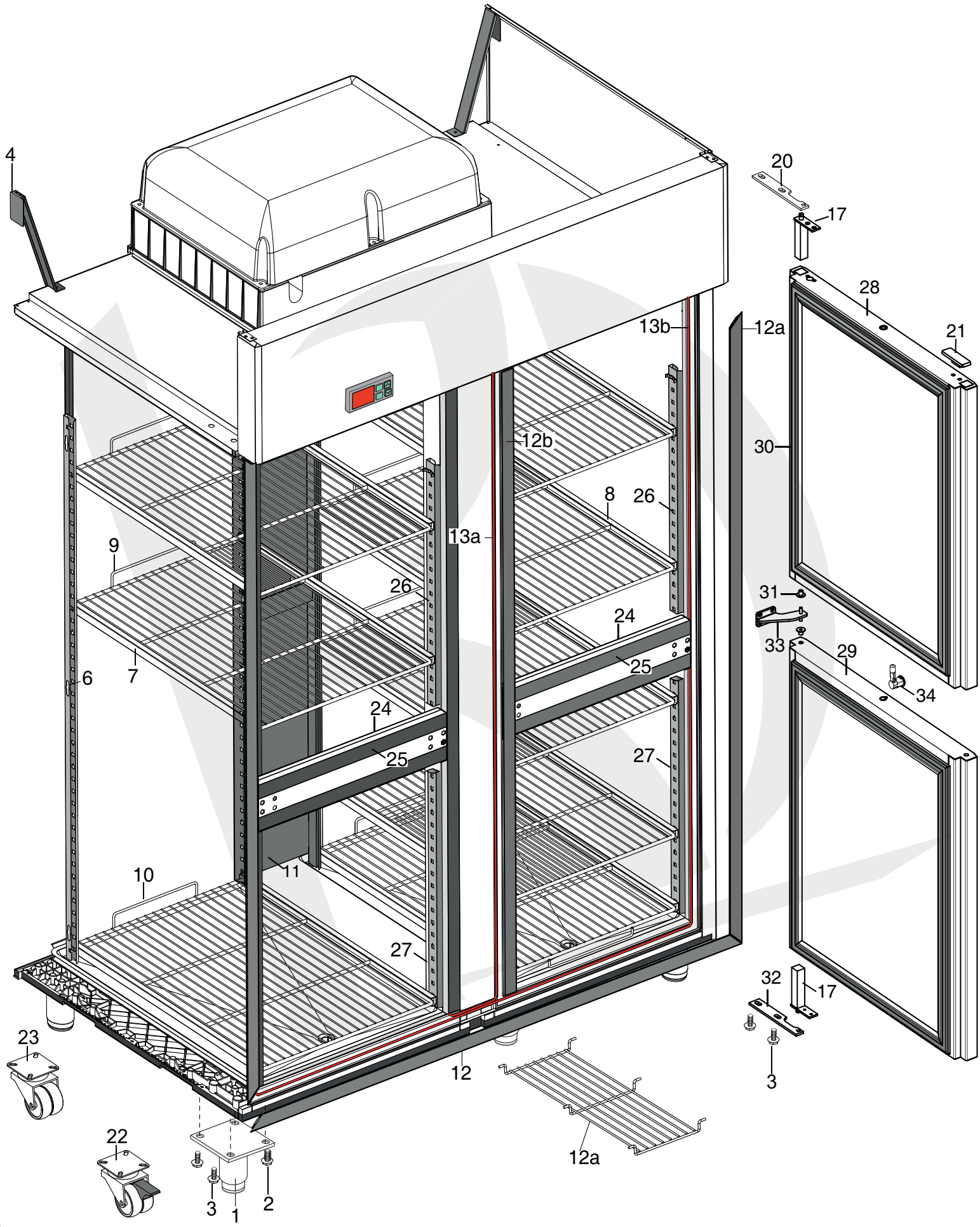
Note: per la corretta identificazione dei componenti, attenersi esclusivamente alle pagine indicate e alla lettera di riferimento.

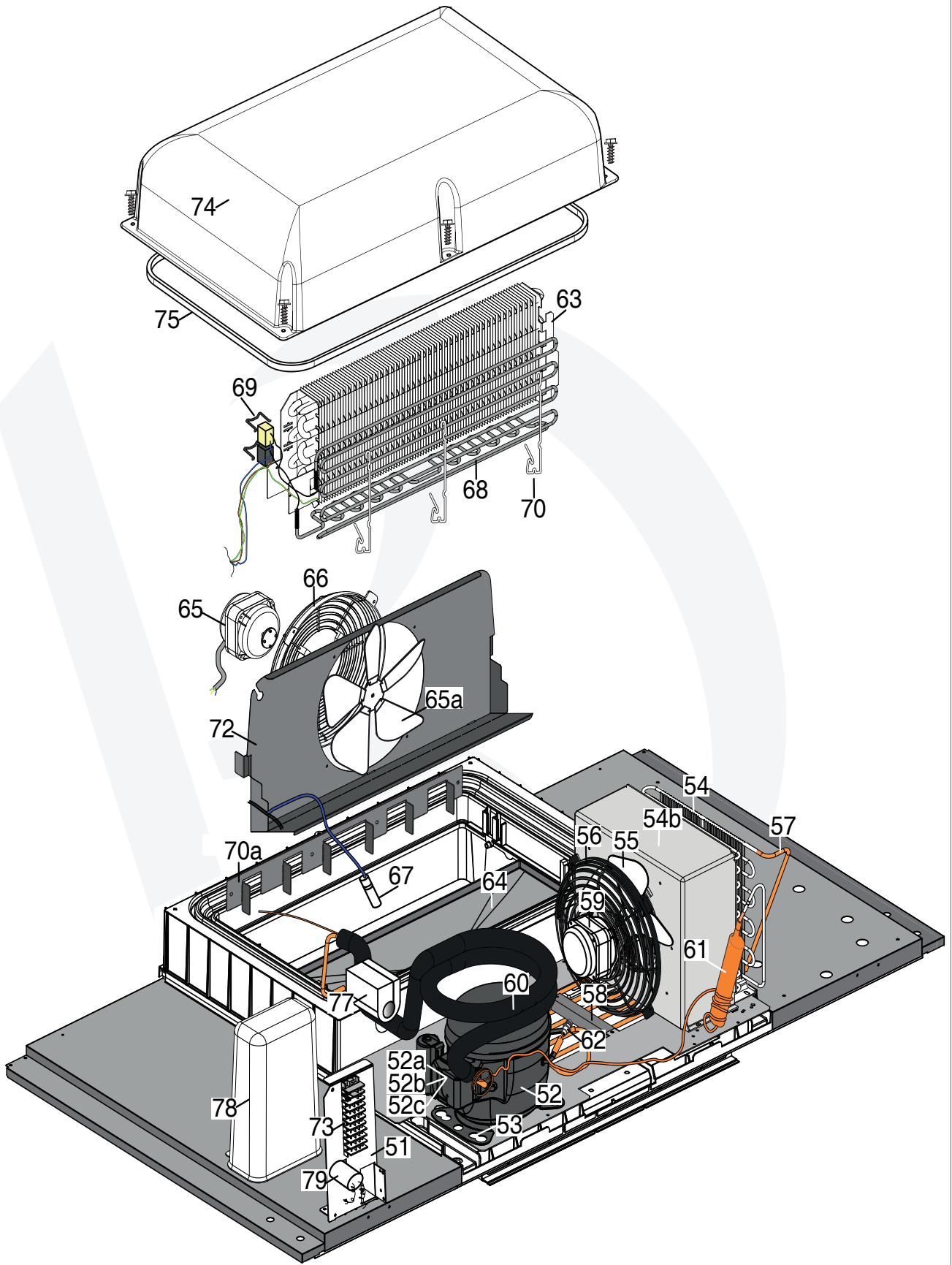
Note: for the correct identification of the components, follow the indicated pages and the reference letter

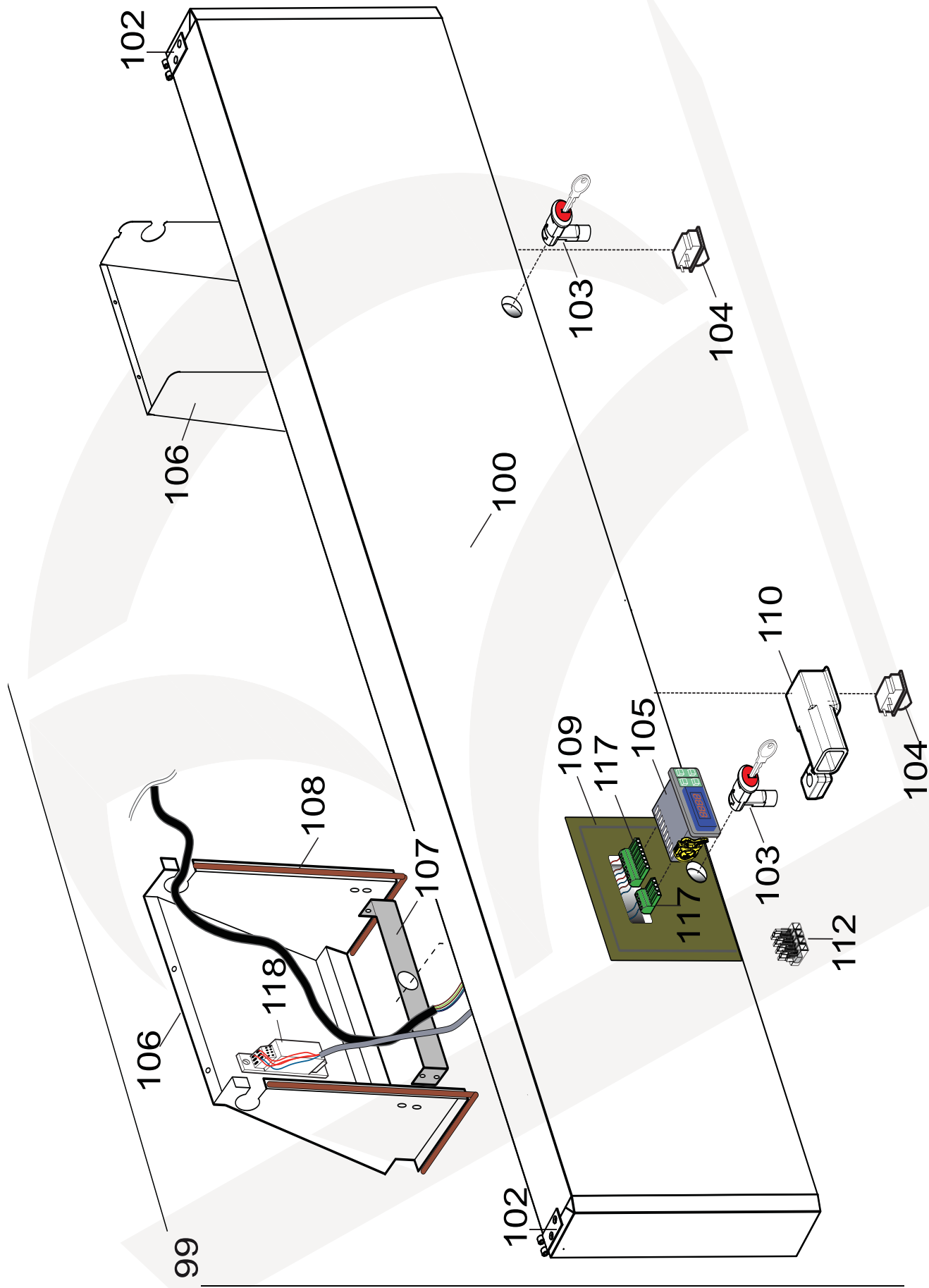
	Index	Indice
Pag. 2,3,4	Cabinet and door	Armadio e porta
5	Cooling unit assembly	Gruppo refrigerante
6	Control panel	Pannello comandi
7,8,9	Spare parts list	Lista ricambi











PNC	Ref.	PNC	Ref.	PNC	Ref.	PNC	Ref.	PNC	Ref.	PNC	Ref.
727282	a	727477	a	728709	a	727366	b	727287	c	727288	f
728709	a	727366	b	727287	c	727297	d	727378	e	727501	n
Pos	Fact .Code	SPC	Descrizione			Description			Ref, - Note		
1	541R05001	093243	Piedino			Foot					
1a	518R02600	093244	Piedino anteriore porta vetro			Back foot glass door					
2	217555204	093245	Vite per plastica per piedino			Screw (use by fix foot)					
3	518708601	093246	Vite M8x20 per fiss. staffa sup/inf			Screw M8X20 (use by fix bracket)					
4	502R17500	093394	Staffa supporto fianchi			Side support					
6	501R38201	093249	Cremagliera anteriore/posteriore			Front/back Rack					
7	501R47900	093250	Guida Sx			Left support					
8	501R48100	093251	Guida Dx			Right support					
9	514R10600	093252	Griglia 2/1 rilsan			Grid 2/1rilsan					
9	514R10700	093360	Griglia 2/1 aisi 304			Grid 2/1aisi 304					
9a	514R11700	093397	Griglia centrale			Central grid			g,h		
10	514R12200	093253	Griglia di fondo rilsan			Bottom grid rilsan					
10	514R12100	093296	Griglia di fondo aisi 304			Bottom grid aisi 304					
11	501R62100	093490	Supporto centrale cremagliere			Rack support					
12	832R09202	093545	Cornice orrizzontale			Orrizzontal frame					
12a	832R09101	093255	Cornice verticale			Vertical frame					
12b	832R09401	093399	Cornice verticale montante			Vertical frame central support					
13a	617R07000	093419	Cavo riscaldante cornice 6.39 W			Heating cable frame 6.39 W			a,c,e		
14	835R27000	093289	Porta con guarnizione,cerniera			Gasket, hinge, and door			a,g,i		
14	835R27100	093290	Porta con guarnizione , cerni.A430			Gasket, hinge, and door A430			d,e,h		
15	835R27400	093291	Porta 304			Door (left) for template A304			a,g,i		
15	835R27500	093292	Porta 430			Door (left) for template A430			d,e,h		
16	548R06802	093257	Guarnizione porta pv/pc			Gasket door (gl/fl)					
17	835704001	082219	Cerniera porta			Hinge door					
18	544700601	081654	Boccola per porta			Door bush					
19	833R21600	093341	Staffa inferiore porta			Lower stirrup door					
20	505723801	082257	Staffa superiore porta			Upper stirrup door					
21	541R05300	093271	Tappo per cerniere			Hole hinge plug					
22	835739900	087110	Ruota rotante con freno			Brake weel			g,h,l,m		
23	835740000	087111	Ruota rotante			Weel			g,h,l,m		
24	880R64200	093343	Traversa per 1/2 porte a430			Support half door a430					
25	832R10000	093272	Cornice per traversa			Support half door frame					
26	501R51800	093275	Cremagliera ant. 1/2 porte sup.			Upper rack 1/2 doors a304					
27	501R51600	093276	Cremagliera ant. 1/2 porte 304 inf.			Lower rack 1/2 doors a304					
28	835R25402	093585	Ass.1/2 porta superiore			Upper half door a304					
29	835R25502	093519	Ass.1/2 porta inferiore			Lower half door a304					
30	548R07100	093273	Guarnizione magnetica 1/2 porte			Half door gasket					
31	546R21100	093392	Boccola per cerniera 1/2 porte			Half door bush					
32	833R21900	093301	Ass. cerniera inferiore			Lower hinge assembly					
33	505R12400	093344	Cerniera centrale			Central hinge door					
34	833R20900	093345	Serratura			Serratura					
35	880R57000	093302	Ass. porta vetro completa			Glass door assembled					
36	879R15600	093274	Porta vetro tn			Glass door TN					
37	546R22400	093535	Tappo sup. dx pv			Upper right plug door GL					
38	546R22300	093536	Tappo sup. sx pv			Upper left plug door GL					

BT - Gab Mass

PNC	Ref.	PNC	Ref.	PNC	Ref.	PNC	Ref.	PNC	Ref.	PNC	Ref.
727282	a	727477	a	728709	a	727366	b	727287	c	727288	f
728709	a	727366	b	727287	c	727297	d	727378	e	727501	n
Pos	Fact .Code	SPC	Descrizione	Description	Ref. - Note						
39	546R22500	093537	appo inf. dx pv	Lower right plug door GL							
40	546R22200	093538	Tappo inf. sx pv	Lower left plug door GL							
41	505R12700	093349	Staffa superiore pv	Upper hinge GL							
42	833R21900	093301	Ass. staffa inf.(reversibile) pv	Lower bracket (reversible)							
43	835R28100	093320	Ass cerniera sup pv	Upper hinge GL							
44	546R23100		Boccola per cerniera PV	Hinge bush GL							
45	880R60700	093303	Ass. lampada completo	Light support assembly	b, f, l, m, n up to 2471...						
45	835R26801	094484	Ass. lampada completo	Light support assembly	b, f, l, m, n from 2481...						
46	661R01000	093350	Lampada 28W	Neon 28W							
47	546R22600	093258	Frontale lampada	Protection light							
48	501R49500	093351	Tappo chiusura luce	Plug of clousure							
49	546R23200	093352	Ferma cavo	Wiring stopper							
50	501R50200	093321	Fermo lampada	Stopper light							
51	501R41501	093332	Supporto impianto elettrico	Electrical wiring support							
52	684R05300	093206	Compressore (EMT6170ZA) 220/50 hz	Compressor (EMT6170ZA) 220/50 hz							
52a	*	*	Relè avviamento	Start relay							
52b	*	*	Protettore	Protector							
52c	*	*	Condensatore di avviamento	Start capacitor							
53	518708401	087122	Fissaggio compressore	Rubber compressor							
54	830R06600	093431	Condensatore 5R D4, 76	Condenser							
54b	501R36701		Copertura condensatore	Condenser cover							
55	511708800	089697	Ventola 230-31 (elco)	Ventola 230-31							
56	546709500	089755	Protezione ventola	Fan protection							
57	515R12700	093259	Serpentina evap. acqua di conden.	Evaporation water pipe							
58	543R09300	093260	Fissaggio serpentina	Stopper pipe							
59	682R05300	093334	Ventilatore condensatore(-VNT2540)	Condenser ventiator (VNT2540)							
60	858R06400		Scambiatore 2m TN	Heat exchanger							
61	858R00100	099949	Filtro 15 gr	Dehidrator filter							
62	A02021800	0a8171	Valvola per compressore	Compressor valve (charge or disch.)							
63	830R04001	093335	Evaporatore 3R 8T	Evaporator 3R 8T							
64	546R19201		Vaschetta evaporatore	Evaporator tray							
65	682R05300	093334	Ventilatore evaporatore fime	Evaporator fan (EBM)							
65a	511708800	089697	Ventola 230-31 ebm	Fan 230-31 ebm							
66	546709500	089755	Griglia ventilatore	Motor fan support							
67	646R06800	092174	Sonda cella	Cavity probe							
68	617R06001	093427	Resistenza con termost. 2-3R	Heating element with thermostat	a,c,e						
69	514R11600		Molla per fissaggio termostati	Thermostat spring	a,c,e						
70	514R11100		Molla per fissaggio resistenza	Heating element spring	a,c,e						
70a	501R40700		Deviatore aria	Air conveyer							
72	501R44101		Convogliatore evap. pala 230	Evaporator convoyer							

