



CABINETS PREMIUM

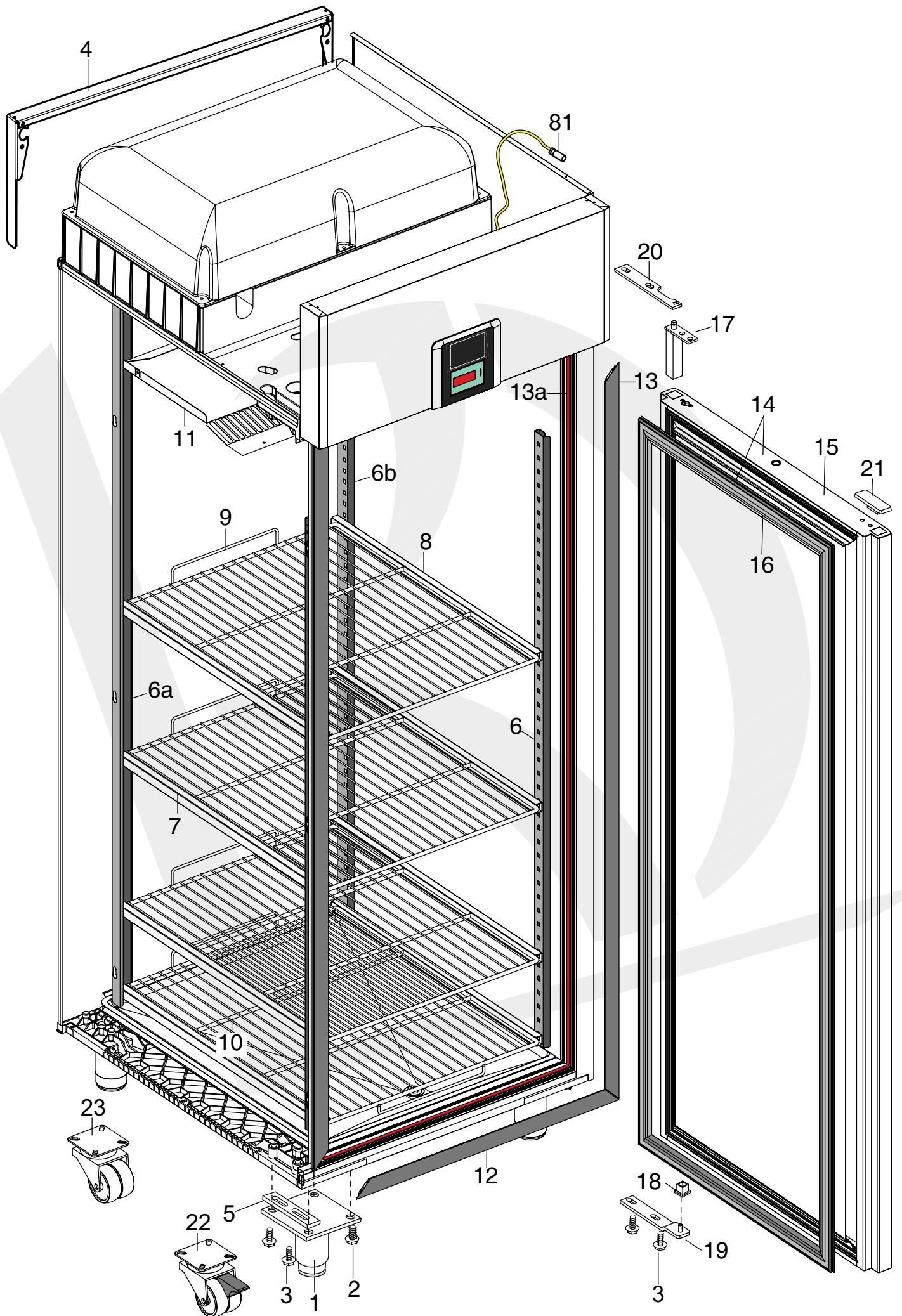
R290

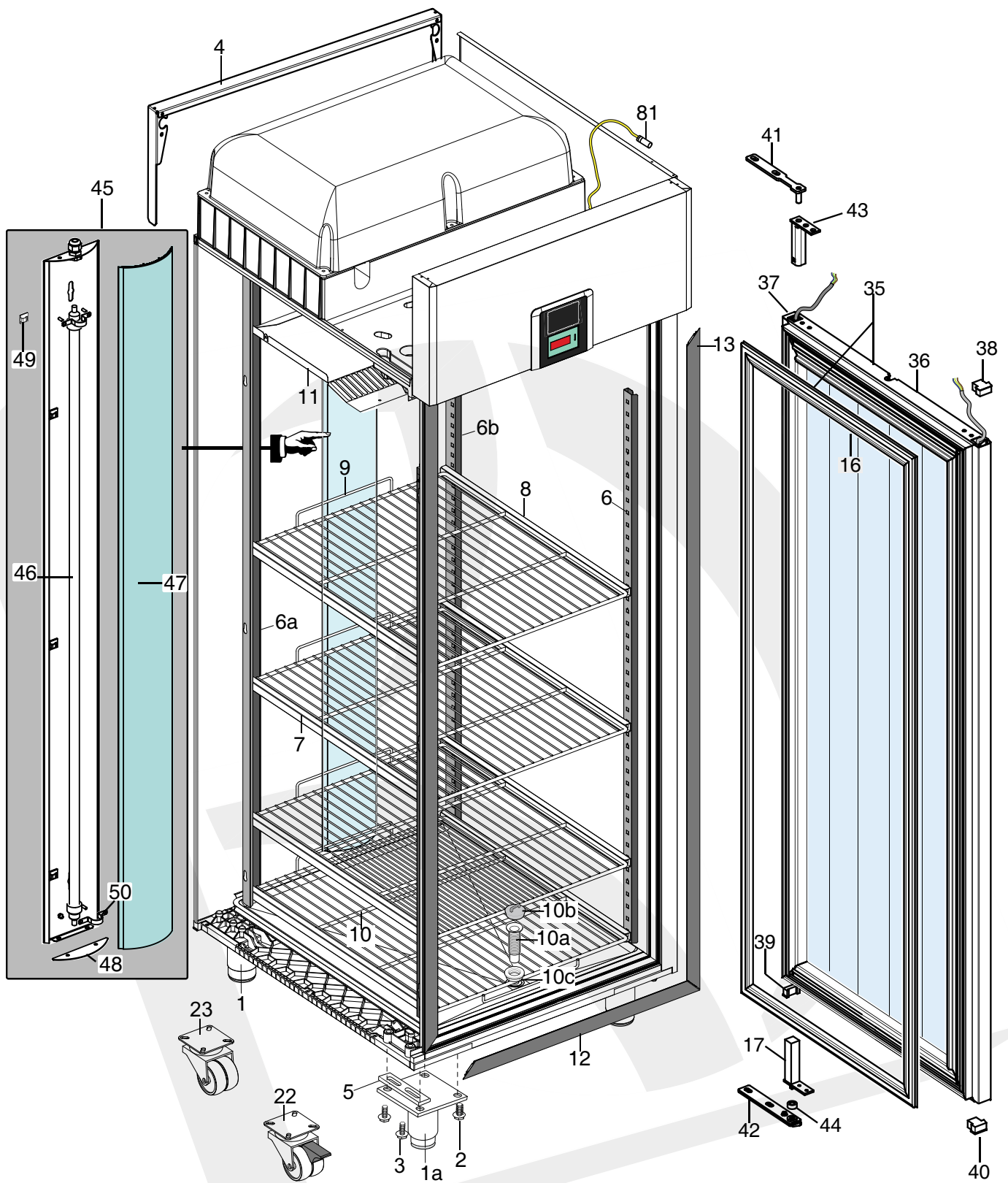
PNC	Avv. Model		Ref.	Page
727314	00/04	FV 1M PREMIUM R290 Elux FULL 304/304 DIG. BT rgt hinged	a	2, 5, 6
727315	00/04	FV 1M PREMIUM R290 Elux FULL 304/304 DIG. BT lft hinged	a	2, 5, 6
727316	00/05	FV 1M PV PREMIUM R290 Elux 304/304 DIG. BT	d	3, 5, 6
727317	00/05	FV 1M 2 1/2 PORTE R290 PREMIUM ELUX 304/304 DIG. BT	f	4, 5, 6
727384	00/04	FV 1M PREMIUM R290 Elux FULL 304/304 DIG. BT UK	c	2, 5, 6
727385	00/05	FV 1M 2 1/2 PORTE R290 PREMIUM ELUX 304/304 DIG. BT UK	h	4, 5, 6
727457	00/05	FV 1M PREMIUM R290 ELUX BT MC DONALDS	l	2, 5, 6
727458	00/05	FV 1M 2 1/2 PORTE R290 PREMIUM ELUX BT MC DONALDS	i	4, 5, 6
728687	00/04	FV 1M PREMIUM R290 Elux FULL 304/304 DIG. BT NCAP	b	2, 5, 6
728688	00/05	FV 1M PV PREMIUM R290 APX 304/304 DIG. BT NCAP	e	3, 5, 6
728689	00/05	FV 1M 2 1/2 PORTE R290 PREMIUM APX 304/304 DIG. BT NCAP	g	4, 5, 6
728735	00/01	FV 1M PREMIUM R290 Elux FULL 304/304 DIG. BT UK	m	2, 5, 6
728736	00/01	FV 1M 2 1/2 PORTE R290 PREMIUM ALPEN 304/304 DIG. BT UK	n	4, 5, 6

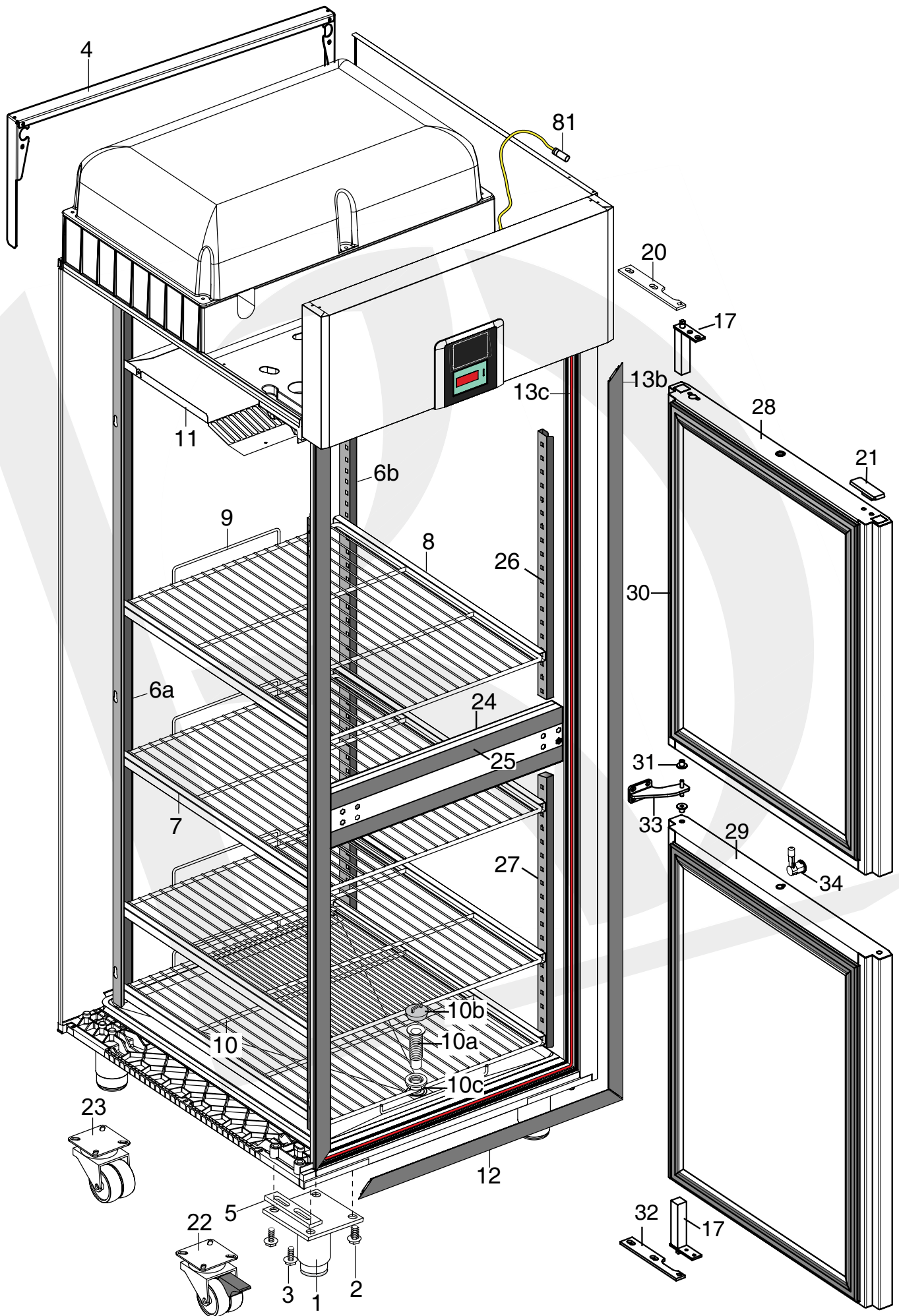
Note: per la corretta identificazione dei componenti, attenersi esclusivamente alle pagine indicate e alla lettera di riferimento.

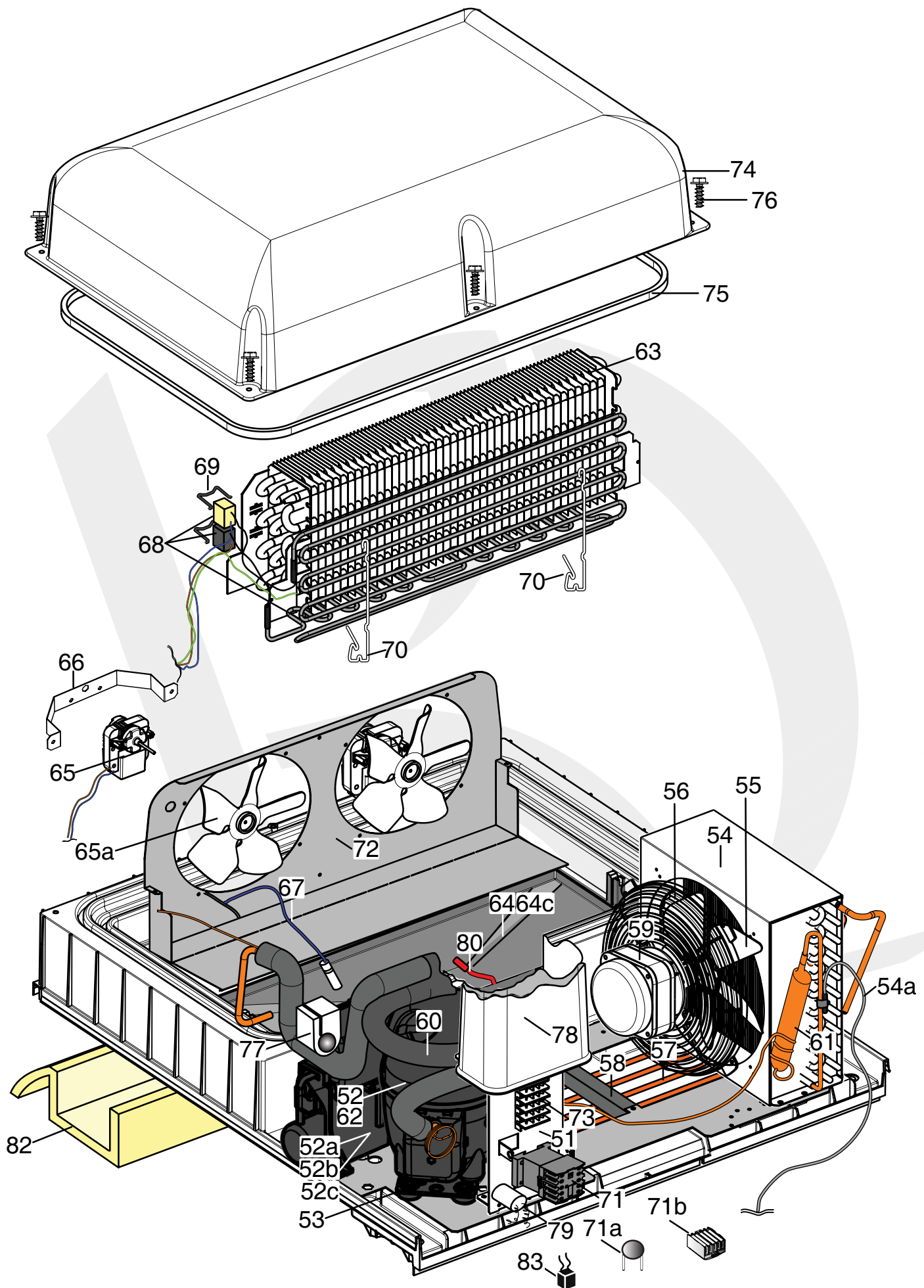
Note: for the correct identification of the components, follow the indicated pages and the reference letter

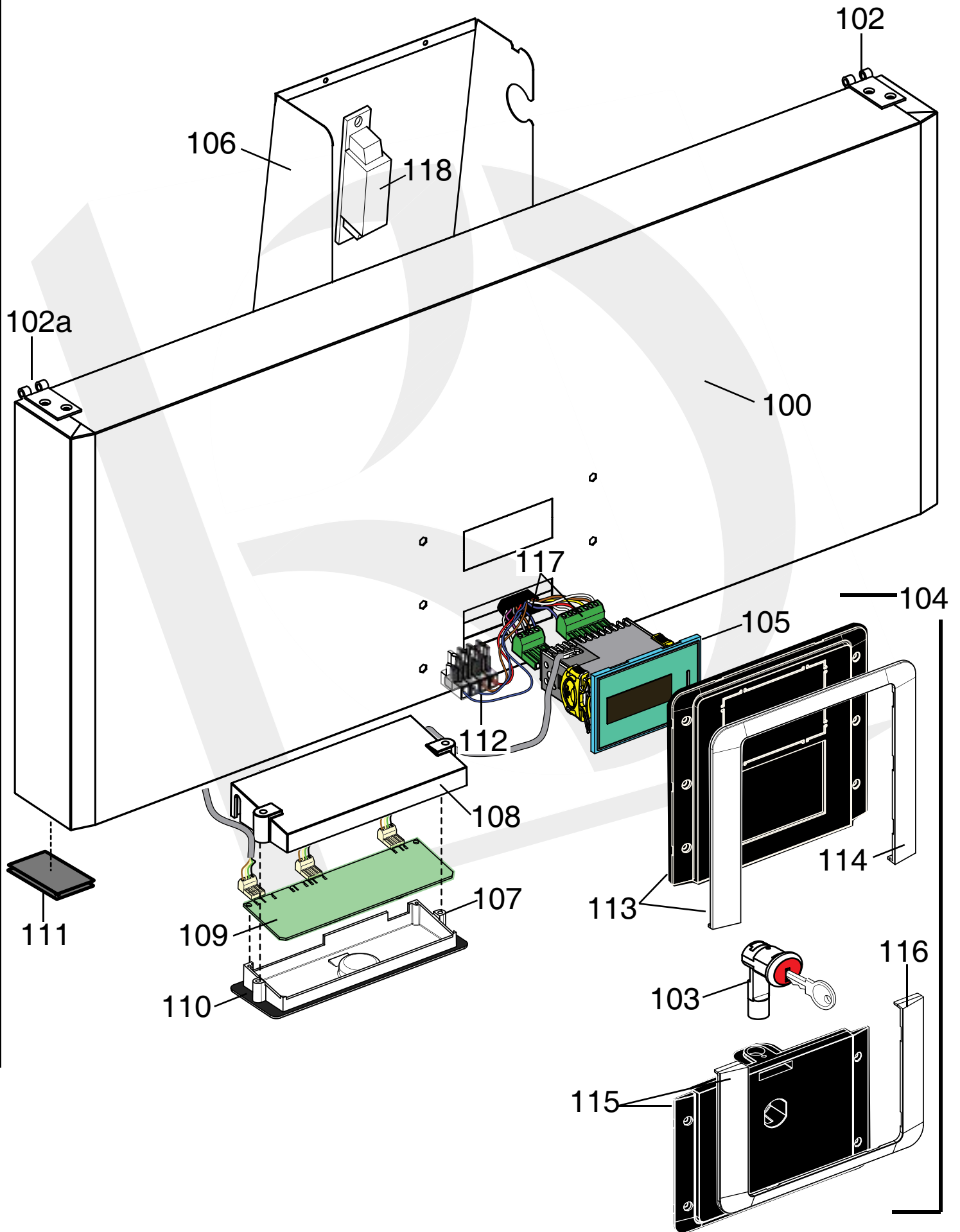
	Index	Indice
Pag. 2,3,4	Cabinet and door	Armadio e porta
5	Cooling unit assembly	Gruppo refrigerante
6	Control panel	Pannello comandi
7,8,9,10	Spare parts list	Lista ricambi











PNC	Ref.	PNC	Ref.	PNC	Ref.	PNC	Ref.	PNC	Ref.	PNC	Ref.	PNC	Ref.
727314	a	727315	a	728687	b	727384	c	727316	d	728688	e	727317	f
728689	g	727385	h	727458	i	727457	l	728735	m	728736	n		

Pos	Spare parts code	Factory code	Descrizione	Description	Ref - Note
1	093243	541R05001	Piedino	Foot	
1a	093244	518R02600	Piedino anteriore porta vetro	Back foot glass door	
2	093245	217555204	Vite per plastica per piedino	Screw (use by fix foot)	
3	093246	518708601	Vite M8x20 per fiss. staffa sup/inf	Screw M8X20 (use by fix bracket)	
4	093247	502R17400	Staffa supporto fianchi	Side support (upper)	
5	093248	546R22800	Distanziale per piede	Foot spacer	
6	093355	501R36201	Cremagliera anteriore	Front Rack	
6a	093356	501R48300	Cremagliera posteriore dx 304	Right back rack	
6b	093357	501R36101	Cremagliera posteriore sx 304	Left back rack	
7	093358	501R48000	Guida Sx	Left support	
8	093359	501R48200	Guida Dx	Right support	
9	093252	514R10600	Griglia 2/1 rilsan	Grid 2/1rilsan	a,c,d,f,h,i,l,m,n
9	093360	514R10700	Griglia 2/1 aisi 304	Grid 2/1 aisi 304	b,e,g
10	093253	514R12200	Griglia di fondo rilsan	Bottom grid rilsan	a,c,d,f,h,i,l,m,n
10	093296	514R12100	Griglia di fondo aisi 304	Bottom grid aisi 304	b,e,g
11	093493	501R56400	Carter interno 304	Internal protection aisi 304	
12	093254	832R09001	Cornice orrizzontale	Orrizzontal frame	
13	093255	832R09101	Cornice verticale	Vertical frame	
13b	093256	832R09300	Cornice verticale 1/2 porte	Vertical frame 1/2 doors	
13a	093330	617R06700	Cavo riscaldante cornice 22,5 W	Heating cable frame 22,5 W	
13c	093331	617R07500	Cavo riscaldante cornice 1/2 porte	Heating cable frame half doors 28W	
14	093523	835R25102	Porta con guarnizione e cerniere	Gasket, hinge and door	
15	093524	835R25002	Porta	Door	
16	093257	548R06802	Guarnizione porta pv/pc	Gasket door (gl/fl)	
17	082219	835704001	Cerniera porta	Hinge door	
18	081654	544700601	Boccola per porta	Door bush	
19	093341	833R21600	Staffa inferiore porta	Lower stirrup door	
20	082257	505723802	Staffa superiore porta	Upper stirrup door	
21	093271	541R05300	Tappo per cerniere	Hole hinge plug	
22	093575	835R24900	Ruota rotante con freno	Brake weel	c,h,m,n
23	093574	835R24800	Ruota rotante	Weel	c,h,m,n
22	087110	835739900	Ruota rotante con freno	Brake weel	i,l
23	087111	835740000	Ruota rotante	Weel	i,l
24	093342	880R64100	Traversa per 1/2 porte a304	Support half door a304	
25	093272	543R09901	Cornice per traversa	Support half door frame	
26	093363	501R51700	Cremagliera ant. 1/2 porte sup.	Upper rack 1/2 doors a304	
27	093364	501R46100	Cremagliera ant. 1/2 porte 304 inf.	Lower rack 1/2 doors a304	
28	093546	835R26303	Ass.1/2 porta superiore a304	Upper half door a304	
29	093519	835R25502	Ass.1/2 porta inferiore a304	Lower half door a304	
30	093273	548R07101	Guarnizione magnetica 1/2 porte	Half door gasket	
31	093392	546R21100	Boccola per cerniera 1/2 porte	Half door bush	

PNC	Ref.	PNC	Ref.	PNC	Ref.	PNC	Ref.	PNC	Ref.	PNC	Ref.	PNC	Ref.
727314	a	727315	a	728687	b	727384	c	727316	d	728688	e	727317	f
728689	g	727385	h	727458	i	727457	l	728735	m	728736	n		

Pos	Spare parts code	Factory code	Descrizione	Description	Ref - Note
32	093301	833R21900	Ass. staffa inf.(reversibile) pv/pc	Lower hinge assembly	
33	093344	505R12400	Cerniera centrale	Central hinge door	
34	093433	833R21100	Serratura	Serratura	
35	093549	880R57701	Ass. porta vetro con cerniere e guar.	Glass door ass. of hinge and gasket	
36	093496	879R15900	Porta vetro bt	Glass door bt	
37	093535	546R22400	Tappo sup. dx pv	Upper right plug door GL	
38	093536	546R22300	Tappo sup. sx pv	Upper left plug door GL	
39	093537	546R22500	Tappo inf. dx pv	Lower right plug door GL	
40	093538	546R22200	Tappo inf. sx pv	Lower left plug door GL	
41	093349	505R12700	Staffa superiore pv	Upper hinge GL	
42	093301	833R21900	Ass. staffa inf.(reversibile) pv/pc	Lower bracket (reversible)	
43	093320	835R28100	Ass cerniera sup pv	Upper hinge GL	
44	093517	546R23100	Boccola per cerniera PV	Hinge bush GL	
45	093303	880R60701	Ass. porta lampada completo	Light support assembly	d, e up to 2471...
45	094484	835R26801	Ass. porta lampada completo	Light support assembly	d, e from 2481...
46	093350	661R01000	Lampada 28W	Neon 28W	
47	093258	546R22600	Frontale lampada	Protection light	
48	093351	501R49500	Tappo chiusura luce	Plug of clousure	
49	093352	546R23200	Ferma cavo	Wiring stopper	
50	093321	501R50200	Fermo lampada	Stopper light	
51	093332	501R41503	Supporto impianto elettrico	Electrical wiring support	
52	093422	684R05800	Compressore (NT2170OU) 220/50 hz	Compressor (NT2170OU) 220/50hz	
52a	*	*	Relè avviamento	Start relay	
52b	*	*	Protettore	Protector	
52c	*	*	Condensatore di avviamento	Start capacitor	
53	099872	541714500	Gommino per compressore	Rubber compressor	
54	093333	830R04900	Condensatore 4R 11T	Condenser 4R 11T	
54A	092360	646R09400	Sonda condensatore	Probe condenser	
55	089697	511708800	Ventola 230-31 (elco)	Ventola 230-31(elco)	
56	089755	546709500	Protezione ventola	Fan protection	
57	*	515R13200	Serpentina evap. acqua di condensa	Evaporation water pipe	
58	093260	543R09300	Fissaggio serpentina	Stopper pipe	
59	093334	682R05300	Ventilatore condensatore (elco)	Condenser ventiator (elco)	
60	093462	858R06800	Scambiatore	Heat exchanger	
61	084078	805729802	Filtro	Dehidrator filter	
62	0A8171	A02021800	Valvola per compressore	Compressor valve (charge or disch.)	
63	093335	830R04001	Evaporatore 3R 8T	Evaporator 2R 8T	
64	093278	833R21201	Vaschetta evaporatore	Evaporator tray	
64c	093409	548R07200	Isolante per vaschetta evaporatore	Insulation for evaporator tray	
65	093417	682R06100	Ventilatore evaporatore (MES)	Evaporator fan (MES)	Up to 3191...

PNC	Ref.	PNC	Ref.	PNC	Ref.	PNC	Ref.	PNC	Ref.	PNC	Ref.	PNC	Ref.
727314	a	727315	a	728687	b	727384	c	727316	d	728688	e	727317	f
728689	g	727385	h	727458	i	727457	l	728735	m	728736	n		

Pos	Spare parts code	Factory code	Descrizione	Description	Ref - Note
65	093410	682R06500	Ventilatore evaporatore (EBM)	Evaporator fan (EBM)	From 3201... Up to 5051...
65	094487	682R08700	Ventilatore evaporatore (EBM)	Evaporator fan (EBM)	From 5061...
65a	093418	541R05500	Ventola 150 MES	Fan 150 MES	
66	093326	501R45101	Staffa ventilatore	Fan support	
67	092174	646R06800	Sonda cella	Cell probe	
68	093347	617R06200	Resistenza con termo. 3-4R 400W	Heating element with thermostat	
69	093487	514R11601	Molla per fissaggio termostati	Thermostat spring	
70	093516	514R11200	Molla per fissaggio resistenza 3R	Heating element spring 3R	
71	093466	648R05600	Rele' OPTO22 Cod. 240A25	Relay OPTO22 Cod. 240A25	
71a	093776	648R05300	Varistore Elco	Varistor ELCO	
71b	093775	648R05700	Dissipatore OPTO 22	Electrical heat exchanger	
72	093314	501R44801	Convogliatore evaporatore 2 fori	Evaporator conveyor	
73	093528	639R09900	Morsettiera	Clamp	
74	093261	835R24101	Assieme Calotta	Evaporator cover	
75	093262	14701r003	Neoprene espanso 8x13,3 nero (M4)	Gasket cover (neoprene 8x13,3)	
76	093245	217555204	Vite senza punta x plastica	Cover screw	
77	093263	546R19702	Tamponcino per tubi	Pipe cover insulation	
78	093264	541R04801	Copertura impianto elettrico	Wiring cover	
79	092257	694R00500	Filtro antidisturbo	Electrical filter	a,b,c,f,g,h,i,l,m,n
80	093415	617R07800	Resistenza scarico condensa	Drain heating	
81	093371	646R10900	Sonda ambiente	Ambient probe	
82	093489	559R01900	Coibentazione carter	Air blanketing	
83	084987	694700800	Filtro proc.	Filter proc.	d,e
99	093591	880R51905	Cruscotto senza mascherina A304	Panel without template A304	a,b,c,f,g,h,i,l,m,n
99	093584	880R61105	Cruscotto senza masch. aisi 304 PV	Panel without template aisi 304 GL	d,e
100	093525	509R13403	Cruscotto comandi	Panel 304 AISI	
102	093609	832R10100	Cerniera per cruscotto dx	Hinge for panel (right)	
102a	093610	832R10200	Cerniera per cruscotto sx	Hinge for panel (left)	
103	093345	833R20900	Serratura	Latch	
104	093383	855R11100	Ass.macherina porta/cruscotto Elux	Complete template door and panel	a,c,d,f,h,i,l
104	093385	855R11300	Ass.macherina porta/cruscotto Apx	Complete template door and panel	b,e,g,m,n
105	093437	646R10601	Termoregolatore ir33 premium pc	Thermoregulator premium	To be setted
106	093295	501R37401	Protezione	Protection led-lamp	
107	093386	546R19501	Supporto scheda led	Support led-lamp	
108	093387	546R19600	Protezione scheda led	Protection led-lamp	
109	093388	648R05500	Scheda led depotenziata	Led-lamp board	
110	093390	569R05900	Guarnizione per scheda led	Ledlamp board gasket	
111	093269	541R05400	Tappo per cerniera porta	Door hinge plug	

