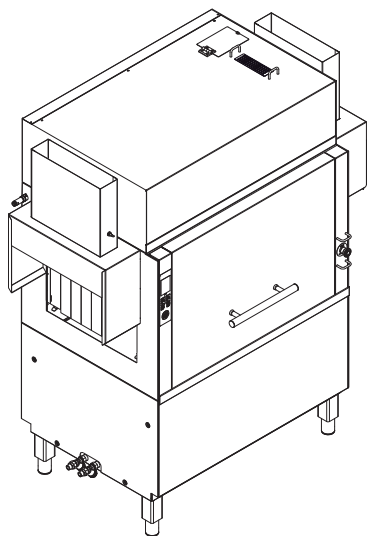
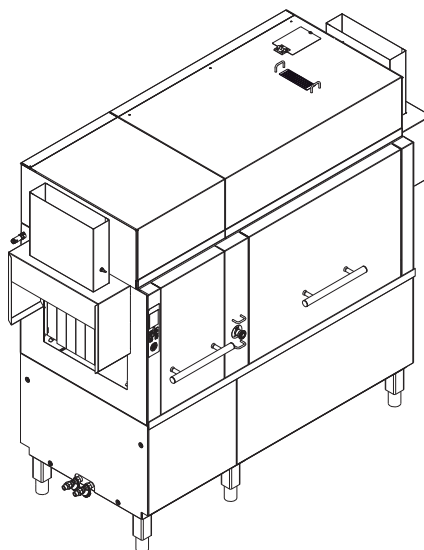


## COMPACT RACK TYPE DISHWASHER



**44"**



**66"**

**Models Affected:**

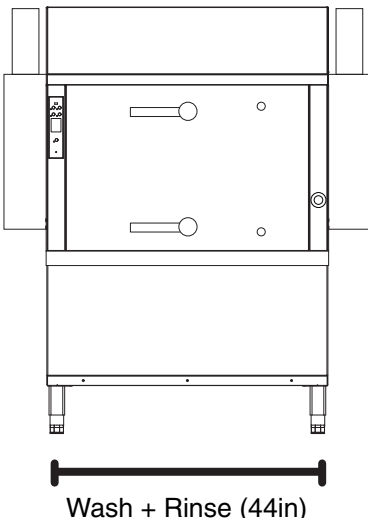
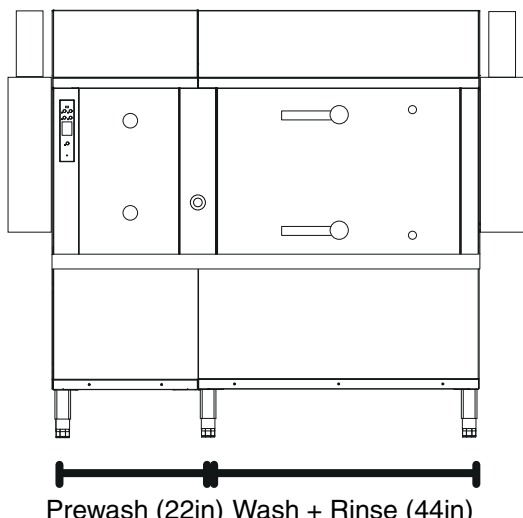
Electrolux Part Number	Description
534034	ECRT66R208
534035	ECRT66L208
534036	ECRT66R240
534037	ECRT66L240
534040	ECRT44R208
534041	ECRT44L208
534042	ECRT44R240
534043	ECRT44L240

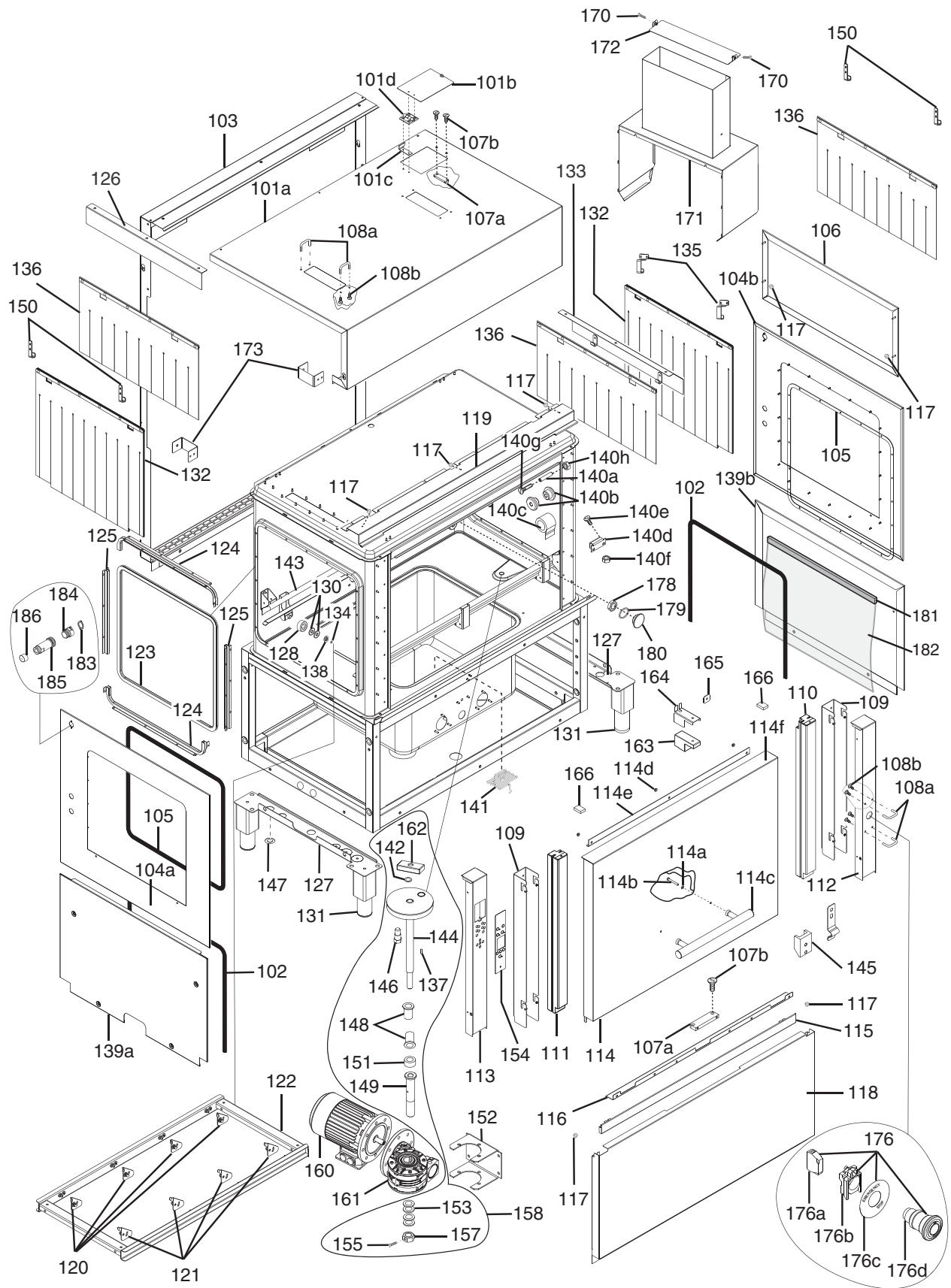
Brand: E  
Country: USA-CANADA

# INDEX

<b>Drawing</b>	<b>Description</b>	<b>Page</b>
	VIEW OF MODULES COMPOSITION	3
<b>iii. 595669M00p1</b>	Main view, Wash + Rinse for 44 inch machine	4
	Spare parts list	5
<b>iii. 595669M00p2</b>	Main view, Prewash for 22 inch module	9
	Spare parts list	10
<b>iii. 595669M00p3</b>	Wash hydraulic circuit, Wash + Rinse for 44 inch module	12
	Spare parts list	13
<b>iii. 595669M00p4</b>	Prewash hydraulic circuit, Prewash for 22 inch module	15
	Spare parts list	16
<b>iii. 595669M00p5</b>	Rinse hydraulic circuit, Wash + Rinse for 44 inch module	18
	Spare parts list	19
<b>II. 595669M00p6</b>	Electrical components, Wash + Rinse for 44 inch module	21
	Spare parts list	22
<b>iii. 595669M00p7</b>	Electrical components, Prewash for 22 inch module	25
	Spare parts list	26

## VIEW OF MODULES COMPOSITION

<b>44"</b>	<b>66"</b>
 <p style="text-align: center;">Wash + Rinse (44in)</p>	 <p style="text-align: center;">Prewash (22in) Wash + Rinse (44in)</p>
<b>See Images:</b>	<b>See Images:</b>
ill.595669M00p1 pag. 4 ill. 595669M00p3 pag. 12 ill. 595669M00p5 pag. 18 ill. 595669M00p6 pag. 21	ill. 595669M00p2 pag. 9 ill. 595669M00p4 pag. 15 ill. 595669M00p7 pag. 25 <span style="float: right; padding-left: 20px;">                         ill.595669M00p1 pag. 4                          ill. 595669M00p3 pag. 12                          ill. 595669M00p5 pag. 18                          ill. 595669M00p6 pag. 21                     </span>



**iii.595669M00p1**  
**Main view, Wash + Rinse for 44 inch machine**

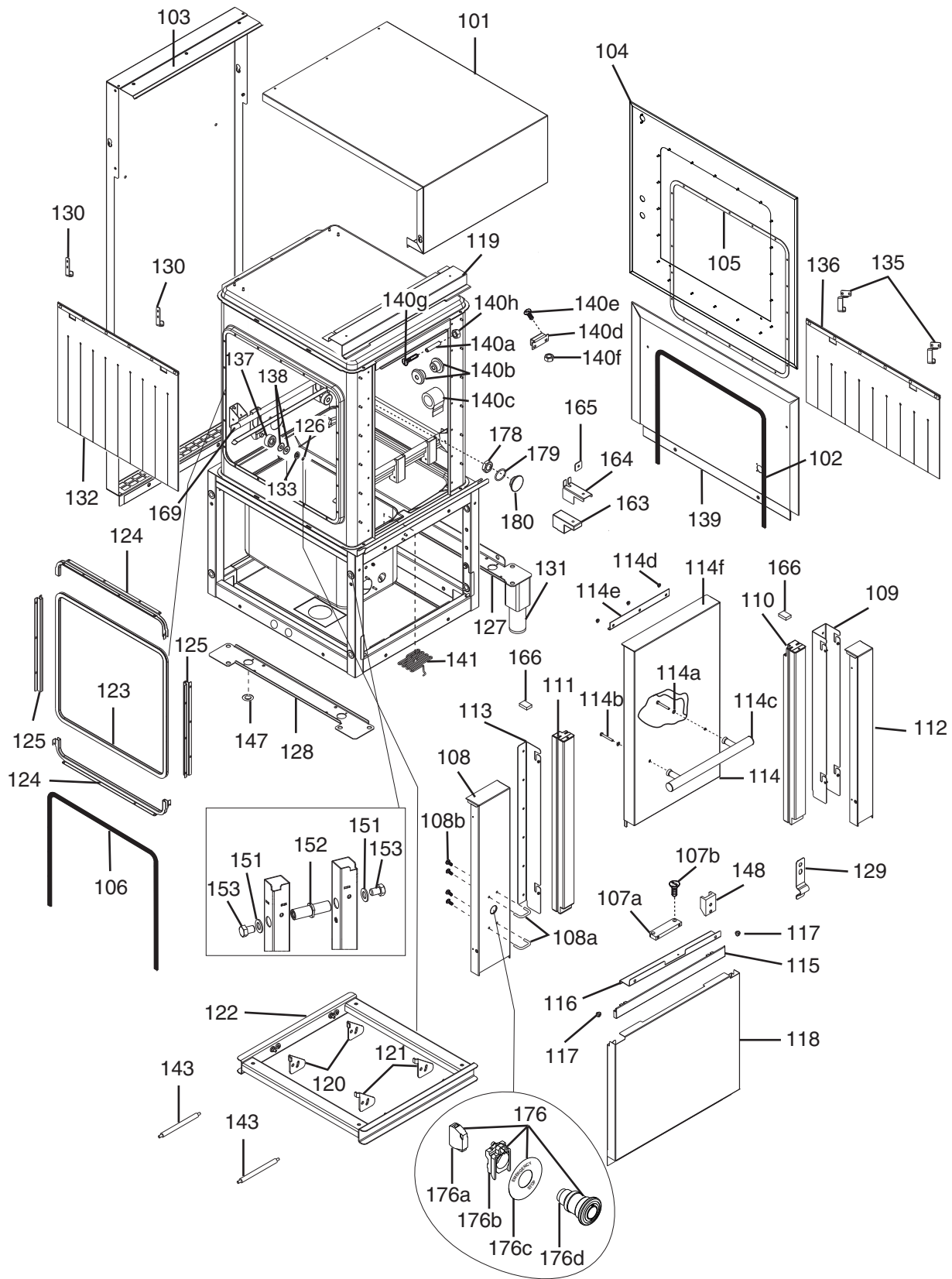
From Ser. nr.: 227

Main view, Wash + Rinse for 44 inch machine					ill.595669M00p1 Bold Print = changes
Pos.	Q.ty	Spare Part Nr.	Manufacturing Part Nr.	Part description	Notes
101a	1	0L2716	830658P00	Top cover for R-L machine	For right machine
101a	1	0L2717	830658Q00	Top cover for L-R machine	For left machine
101b	1	0L2587	503619300	Air gap lid	
101c	1	0L2588	5066A0X00	Lid limit switch	
101d	1	0L2154	510611400	Hinge	
102	2	0L2167	543633J00	Lower side panel gasket	
103	1	0L2542	830657Y00	Back panel	
104a	1	0L2715	830657A00	Left panel	
104b	1	0L2714	830657900	Right panel	
105	2	0L0875	543629700	Side panel outer gasket	
106	2	0L1584	830651401	Upper side panel	
107a	2	0L2534	699605900	Magnet	
107b	4	0L2332	217600000	Magnet screw	2.9X9.5mm (Set of 10 pcs)
108a	4	0L2514	5146A4F00	Guard	
108b	8	0L2513	217042105	Guard screw	M4X10mm (Set of 10 pcs)
109	2	0L2283	830656700	Side channel support	
110	1	0L0832	830637102	Right door guide	
111	1	0L0833	830637202	Left door guide	
112	1	0L2524	830657R00	Wash stop switch panel	
113	1	0L2269	830655B01	User interface panel	
114	1	0L2461	835621F00	Door assembly	
114a	2	0L1671	206004106	Door washer	6.4X12.5mm (Set 50 pcs)
114b	2	0L2455	217600900	Door screw	M6X50mm (Set of 10 pcs)
114c	1	0L2451	515662400	Door handle	
114d	3	0L2469	218152092	Door nut	M5X5mm (Set of 10 pcs)
114e	1	0L2452	5046A1200	Door splashguard	
114f	1	0L2450	850664500	Door	
115	1	0L2151	5056A1700	External splashguard	
116	1	0L1492	5046A2301	Splashguard	
117	7	0L0839	549644800	Locking stud	
118	1	0L1521	503613302	Lower dress panel	
119	1	0L1520	503613802	Upper panel case	Up to Ser.: 5141
119	1	0L3562	5046ABB00	Upper panel case	From Ser.: 5151
120	4	0L1314	5046A3800	Right conveyor dog	
121	4	0L1315	5046A3900	Left conveyor dog	
122	1	0L1486	830646602	Rack guide assembly	
123	1	0L0827	543630300	Side panel inner gasket	
124	2	0L0992	502697602	Gasket horizontal cover	
125	2	0L0991	502697501	Gasket vertical cover	
126	2	0L0852	800667800	Single short curtain support	
127	2	0L2550	503619100	Frame feet	
128	6	0L2520	547604800	Roller	
130	12	0L2174	549646100	Roller spacer	
131	4	053792	855888200	Feet (for Frame feet pos. 127)	
132	2	0L2314	541616301	Quadruple long curtain	

Main view, Wash + Rinse for 44 inch machine					ill.595669M00p1 Bold Print = changes
Pos.	Q.ty	Spare Part Nr.	Manufacturing Part Nr.	Part description	Notes
133	1	0L1768	800667600	Single short curtain support	
134	6	0L2522	219614400	Retainer ring	7mm
135	2	0L1172	505600001	Curtain hook	
136	4	0L2313	541617C00	Single short curtain	
137	1	0W1131	RT0020600	Drive shaft key	5X5X16mm
138	6	0L2521	5066A0R00	Flanged washer	7.5mm IDx24mm ODx0.8mm width
139a	1	0L2695	5026B5K00	Left lower side panel	
139b	1	0L1719	5026B0702	Right lower side panel	
140	2	0L2361		Door spring assembly (pos. 140a .. 140h)	Qty 2 in 44 inch machine, Qty 4 in 66 inch machine
140a	1	0L0857	515659300	Door spring bolt sleeve	
140b	2	0L1170	546631100	Door spring bushing	
140c	1	0E5167	W00093300	Door spring	
140d	1	0E2898	W00143601	Door spring bracket	
140e	2	0K8744	W00510500	Door spring bracket screw	M5X10mm
140f	4	0E5372	W00501300	Door spring bracket screw nut M5	
140g	1	0E5792	W00516700	Door spring bolt	M8X70mm
140h	1	0E5063	W00501500	Door spring bolt nut M8	
141	1	0L2515	5146A4100	Drain screen	
142	1	0L2472	W00521500	Washer	Set of 10 pcs
143	2	0L2590	835621U00	44 inch rack rail	
144	1	0L1308	835620702	Conveyor drive shaft	
145	2	0L0861	541612801	Door stop	
146	1	0L1278	514695102	Bolt	22X49mm
147	3	0L0993	541612500	Plug	
148	2	0E5043	W00115100	Drive shaft bushing	
149	1	0L0847	514695001	Gear motor rod	
150	2	0L0997	RT0021201	Curtain hook	
151	1	0E5187	W00111300	Locking collar with setscrew	
152	1	0L2317	504696303	Gear motor support	
153	4	0L0152	RT0020700	Spring washer	
154	1	0L3107	54864BP00	User interface label	For right machine
154	1	0L3106	54864BN00	User interface label	For left machine
155	1	0L2334	217015125	Bolt	M8X12mm (Set of 10 pcs)
157	1	0L1712	5146A2500	Nut	M24X19mm
158		0L2457		Drive shaft kit	Parts: 137, 142, 144, 146, 148, 149, 151, 153, 155, 157, 162
160	1	0L1280	611634100	Conveyor drive motor (M3)	
161	1	0L1281	835621300	Gearbox	
162	1	0L1275	547604600	Rack guide slide block	
163	2	0L1471	543631300	Gasket	
164	2	0L1470	502697402	Gasket cover	
165	2	0L1469	503609200	Square washer	
166	2	0L1597	565615200	Door guide gasket	
168	2	0L1528	507690700	Door latch	
170	2	0L2413	217014145	Vent baffle bolt	M6X14mm (Set of 100 pcs)

Pos.	Q.ty	Spare Part Nr.	Manufacturing Part Nr.	Part description	Notes
171	1	0L2265	830656802	Vent cowl	
172	1	0L1583	805664300	Vent cowl baffle	
173	2	0L2088	805664Q00	Panel support	
176	1	0L2345	805664Z00	Emergency stop assembly (SB2)	
176a	1	0L2347	648615B00	Screw contact (SB2)	
176b	1	0L2348	507692L00	Emergency stop base (SB2)	
176c	1	0L2346	549646K00	Emergency stop label (SB2)	
176d	1	0L2352	640613700	Emergency stop button (SB2)	
177	1	0L2350	598623400	Ecolab badge	
178	1	0L2115	514699500	Wash chamber wall lock nut	M20X1.5mm
179	1	0L2302	543634000	Wash chamber wall plug o-ring	1.78x20.35mm
180	1	0L2114	514698300	Wash chamber wall plug	M20X1.5mm
181	1	049931	590603500	Hook and loop fastener	
182	1	0L2554	569608F00	Inverter protection panel	
183	1	0L2683	543634C00	Female electrical connector gasket	
184	1	0L2682	699605F00	Female electrical connector (X_OUT)	
185	1	0L2684	699605D00	Male electrical connector (X_OUT)	
186	1	0L2585	541617N00	Protective cap	

Pos.	Q.ty	Spare Part Nr.	Manufacturing Part Nr.	Part description	Notes



**iii. 595669M00p2**  
**Main view, Prewash for 22 inch module**

## Main view, Prewash for 22 inch module

ill. 595669M00p2

Bold Print = changes

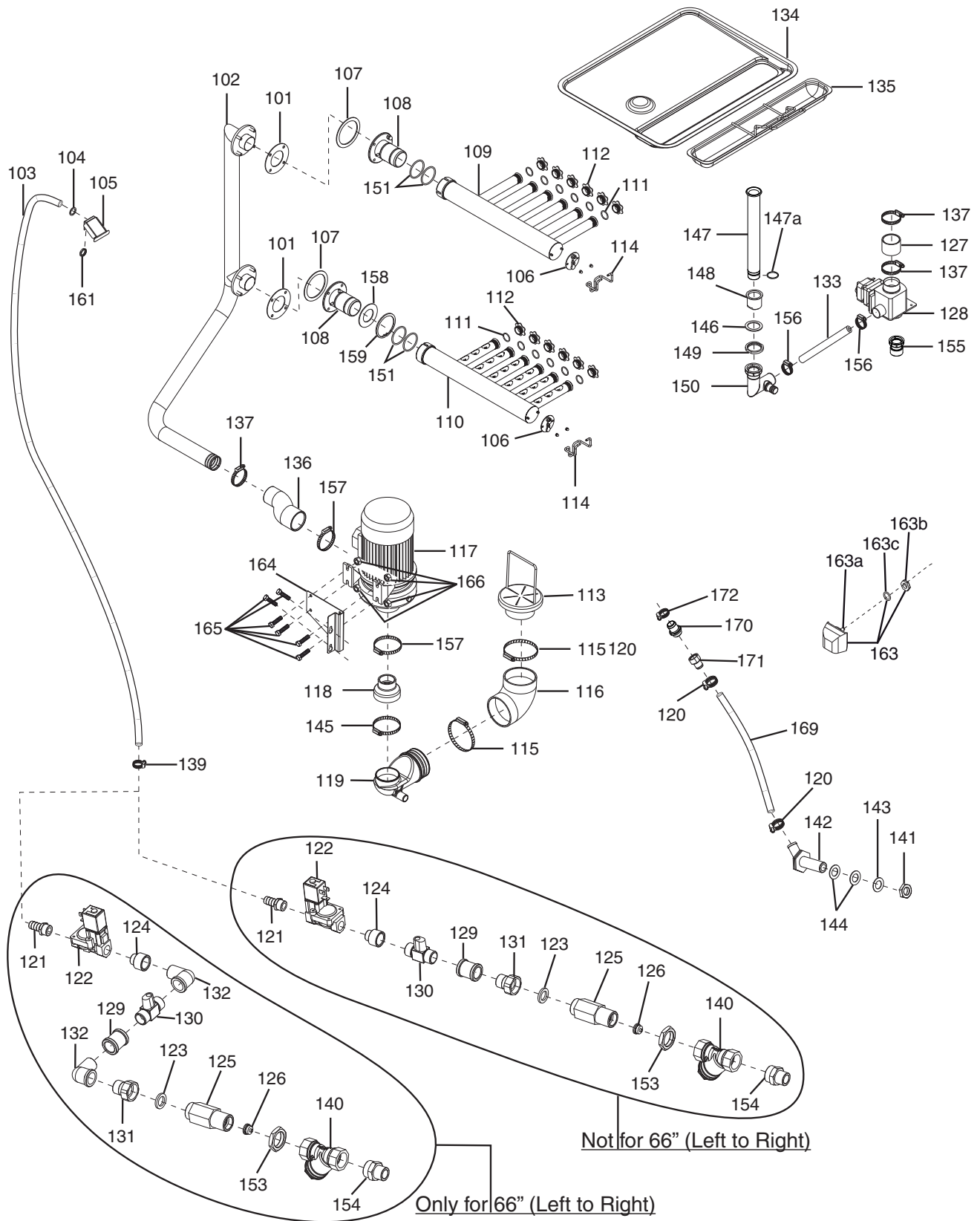
Pos.	Q.ty	Spare Part Nr.	Manufacturing Part Nr.	Part description	Notes
101	1	0L2042	830654Z01	Prewash top cover	
102	1	0L2167	543633J00	Lower side panel gasket	
103	1	0L2541	830657X00	Back panel	
104	1	0L2714	830657900	Left panel	For right machine
104	1	0L2715	830657A00	Right panel	For left machine
105	1	0L0875	543629700	Outer side panel gasket	
106	1	0L2311	543633H00	Lower middle gasket	
107a	1	0L2534	699605900	Magnet	
107b	2	0L2332	217600000	Magnet screw	2.9X9.5mm (Set of 10 pcs)
108	1	0L2525	830657S00	PW stop switch panel	
108a	2	0L2514	5146A4F00	Guard	
108b	4	0L2513	217042105	Guard screw	M4X10mm (Set of 10 pcs)
109	1	0L2283	830656700	Side channel support	
110	1	0L0832	830637102	Right door guide	
111	1	0L0833	830637202	Left door guide	
112	1	0L0856	830641103	Side channel cover	
113	1	0L1047	830643101	PW stop switch panel support R-L	For right machine
113	1	0L1049	830643001	PW stop switch panel support L-R	For left machine
114	1	0L2462	835621N00	Door assembly	
114a	2	0L1671	206004106	Door washer	6.4X12.5mm (Set 50 pcs)
114b	2	0L2455	217600900	Door screw	M6X50mm (Set of 10 pcs)
114c	1	0L2451	515662400	Door handle	
114d	3	0L2469	218152092	Door nut	M5X5mm (Set of 10 pcs)
114e	1	0L2454	5046A1000	Door splashguard	
114f	1	0L2453	850664400	Door	
115	1	0L2410	5056A1600	External splashguard	
116	1	0L1491	5046A2201	Splashguard	
117	2	0L0839	549644800	Locking stud	
118	1	0L1523	503613201	Lower dress panel	
119	1	0L1524	503613701	Upper panel case	
120	2	0L1314	5046A3800	Right conveyor dog	
121	2	0L1315	5046A3900	Left conveyor dog	
122	1	0L1485	830646502	Rack guide assembly	
123	1	0L0827	543630300	Side panel inner gasket	
124	2	0L0992	502697602	Gasket horizontal cover	
125	2	0L0991	502697501	Gasket vertical cover	
126	4	0L2522	219614400	Retainer ring	7mm
127	1	0L2550	503619100	Frame feet	
128	1	0L0854	502696002	Feet support	
129	2	0L1528	507690700	Door latch	
130	2	0L1171	503610501	Curtain hook	
131	2	053792	855888200	Feet (for Frame feet pos. 127)	
132	1	0L2312	541617D00	Double long curtain	
133	4	0L2521	5066A0R00	Flanged washer	7.5mm IDx24mm ODx0.8mm width
135	2	0L1172	505600001	Curtain hook	

From Ser. nr.: 227

Page: 10 Ed. 2012-05

Doc. Nr.: 595669M00

Pos.	Q.ty	Spare Part Nr.	Manufacturing Part Nr.	Part description	Notes
136	1	0L2313	541617C00	Single short curtain	
137	4	0L2520	547604800	Roller	
138	8	0L2174	549646100	Roller spacer	
139	1	0L1719	5026B0702	Right lower side panel	
139	1	0L2695	5026B5K00	Left lower side panel	
140	2	0L2361		Door spring assembly (pos. 140a .. 140h)	Qty 2 in 44 inch machine, Qty 4 in 66 inch machine
140a	1	0L0857	515659300	Door spring bolt sleeve	
140b	2	0L1170	546631100	Door spring bushing	
140c	1	0E5167	W00093300	Door spring	
140d	1	0E2898	W00143601	Door spring bracket	
140e	2	0K8744	W00510500	Door spring bracket screw	M5X10mm
140f	4	0E5372	W00501300	Door spring bracket screw nut M5	
140g	1	0E5792	W00516700	Door spring bolt	M8X70mm
140h	1	0E5063	W00501500	Door spring bolt nut M8	
141	1	0L2515	5146A4100	Drain screen	
143	2	0L0841	514695200	Drawing connection shaft	
147	3	0L0993	541612500	Plug	
148	2	0L0861	541612801	Door stop	
151	8	0L2329	206008195	Washer	15X28mm
152	4	0L2324	5146A2401	Spacer	
153	8	0L2328	217018205	Bolt	M14X20mm
163	2	0L1471	543631300	Gasket	
164	2	0L1470	502697402	Gasket cover	
165	2	0L1469	503609200	Square washer	
166	2	0L1597	565615200	Door guide gasket	
169	2	0L2591	835621V00	22 inch rack rail	
176	1	0L2345	805664Z00	Emergency stop assembly (SB2)	
176a	1	0L2347	648615B00	Screw contact (SB2)	
176b	1	0L2348	507692L00	Emergency stop base (SB2)	
176c	1	0L2346	549646K00	Emergency stop label (SB2)	
176d	1	0L2352	640613700	Emergency stop button (SB2)	
178	1	0L2115	514699500	Wash chamber wall lock nut	M20X1.5mm
179	1	0L2302	543634000	Wash chamber wall plug o-ring	1.78x20.35mm
180	1	0L2114	514698300	Wash chamber wall plug	M20X1.5mm



**iii. 595669M00p3**  
**Wash hydraulic circuit, Wash + Rinse for 44 inch module**

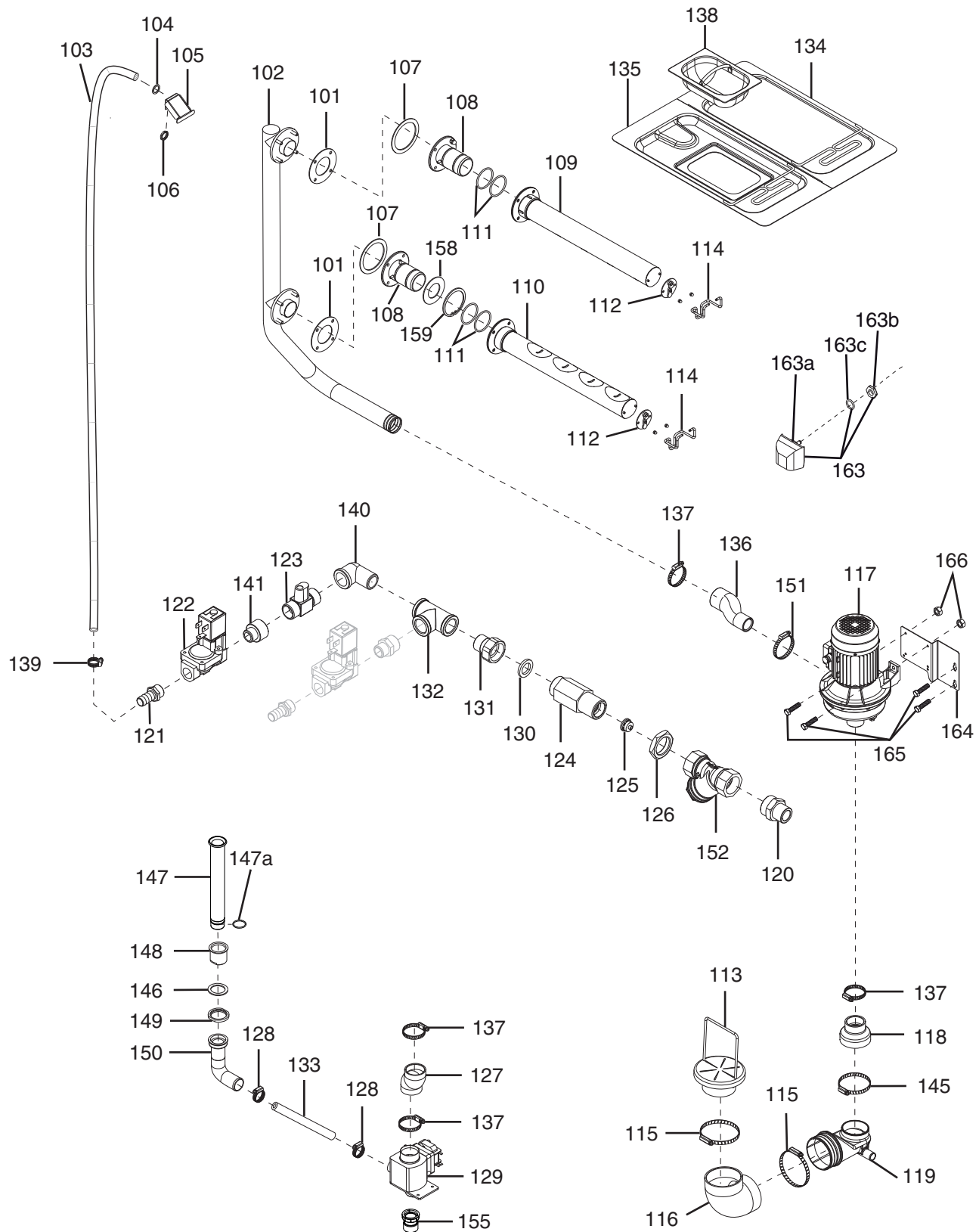
Wash hydraulic circuit, Wash + Rinse for 44 inch module					iii. 595669M00p3 Bold Print = changes
Pos.	Q.ty	Spare Part Nr.	Manufacturing Part Nr.	Part description	Notes
101	4	0L0919	543629400	Wash manifold gasket	
102	1	0L1187	830632603	Wash pipe	
103	1	048531	140066039	Hot water inlet tube	70 7/8in /1.8 m
104	1	0L2402	569608800	Hot water inlet tube gasket	
105	1	0E5848	RT0011900	Inlet splashguard	
106	2	0L1370	800669401	Wash arm latch	
107	2	0L2308	543633U00	Wash hub inner o-ring	65.09x3.53mm
108	2	0L1188	830633101	Wash arm hub	
109	1	0L1709	830654600	Upper washing arm	Up to Ser:5051
109	1	0L3473	830654600	Upper washing arm	From Ser:5061
110	1	0L1710	830654700	Lower washing arm	Up to Ser:5051
110	1	0L3474	830654700	Lower washing arm	From Ser:5061
111	12	0L2309	543633T00	Wash arm endcap o-ring	26,65x2,62mm
112	12	0L0978	830637000	Wash arm endcap	SST
113	1	0L0951	800666601	Pump intake screen	
114	2	0L2087	5146A2100	Wash arm hook	
115	2	0L0915	518682500	Hose clamp	100-120mm
116	1	0L0930	544635700	Wash pump inlet elbow	
117	1	0L1403	611633401	Wash pump (M4)	
118	1	0L2545	544687300	Wash pump inlet boot	
119	1	0L1549	544685400	Pump inlet manifold	
120	2	047578	518604001	Clamp	25-40mm
121	1	0L0477	514694300	Hose barb	3/8in G
122	1	0L2516	696618500	Solenoid valve (YV6)	
123	1	049201	543624401	Gasket	15.5x24x3mm
124	1	0L2688	5146A5000	Fitting F-M	1/2-3/8in G
125	1	0L2687	5146A5400	Inlet fitting	3/4in G
126	1	0L0178	549642800	Flow reducer	20 l/min
127	1	0L0934	544639901	Wash tank drain boot	
128	1	0L2506	696618600	Drain solenoid valve (YV5)	
129	1	0E5420	W00525801	Brass union sleeve F-F	1/2in G
130	1	0L2701	657602900	Hot water flowmeter (S10)	
131	1	0L2698	511620Y00	Fitting M-F	1/2-3/4in G
132	2	0L2700	511620X00	Elbow fitting M-F	1/2in G - Only for 66" (Left to Right)
133	1	0L0939	544683100	Drain pipe	40x5mm
134	1	0L0892	504694300	Wash tank scrap screen	
135	1	0L0973	830634902	Wash tank scrap basket	
136	1	0L0936	544640100	Wash pump outlet boot	
137	3	046855	518602801	Hose clamp	50-70mm
139	2	048126	518609801	Hose clamp	12-22mm
140	1	068121	330700014	Water filter	3/4in G
141	1	0L1086	5146A0200	Nut	1/2in G
142	1	0L1085	516600100	Tank connector	
143	1	0L1087	518683800	Tank connector washer	
144	2	0L1088	543632900	Tank connector washer	

## Wash hydraulic circuit, Wash + Rinse for 44 inch module

ill. 595669M00p3

Bold Print = changes

Pos.	Q.ty	Spare Part Nr.	Manufacturing Part Nr.	Part description	Notes
145	1	0L0914	518682600	Clamp	80-100mm
146	1	0L2307	543633V00	Overflow outlet o-ring	42.86x3.53mm
147	1	0L2295	830657300	Overflow + o-ring assy	Assembly code
147a	1	0L2359	543634100	O-ring for overflow	2.62 X 32.99mm
148	1	075624	511607200	Overflow boot	
149	1	066079	215190400	Nut	1 1/2in G
150	1	0L1527	805664500	Wash overflow manifold	
151	4	0L2310	543633S00	Wash arm hub o-ring	50X3mm
153	1	0E5056	W00525500	Nut	3/4in G
154	1	0L2686	5146A4Z00	Fitting M-M	1/2 NPT-3/4in G
155	1	0L2697	805665K00	Drain solenoid valve header M-F	1 1/2in
156	2	0L0193	518614400	Hose clamp	40-60mm
157	2	046853	518602901	Hose clamp	60-80mm
158	1	0L1185	5026A3000	Manifold reducer	29mm ID
159	1	0L1189	219065212	Wash manifold snap ring	
161	2	0E5424	W00525400	Nut	1/2in G
163	2/3	0L2362		Air trap assembly	Qty 2 in 44 inch machine, Qty 3 in 66 inch machine
163a	1	048308	542604901	Air trap	
163b	1	049268	544623800	Air trap nut	M14x1.5mm
163c	1	0L2305	543633X00	Air trap o-ring	2.62x15.54mm
164	1	0L2532	5046A8800	Wash pump motor bracket	
165	6	0L2409	217015205	Bolt	M8X20mm (Set of 10 pcs)
166	4	0E5063	W00501500	Nut M8	
169	1.4 mt	0L2426	140600300	Hose	20x3mm
170	1	0L2423	5146A3B00	Hose barb M	1/2in G
171	1	0L2424	5146A3C00	Hose barb F	1/2in G
172	1	0L2702	518684G00	Hose clamp	16-27mm



**iii. 595669M00p4**  
**Prewash hydraulic circuit, Prewash for 22 inch module**

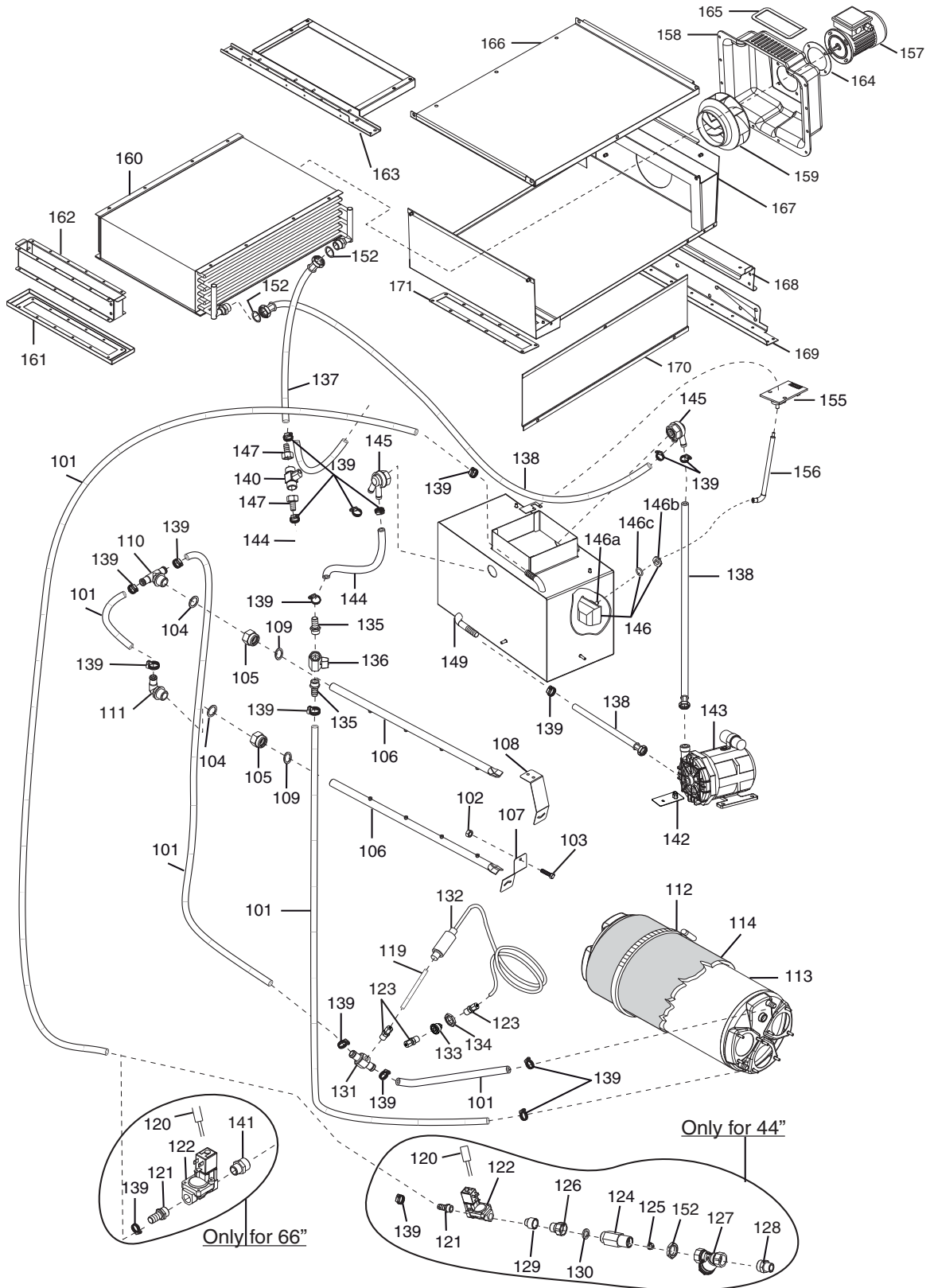
From Ser. nr.: 227

Page: 15 Ed. 2012-05

Doc. Nr.: 595669M00

Prewash hydraulic circuit, Prewash for 22 inch module					ill. 595669M00p4 Bold Print = changes
Pos.	Q.ty	Spare Part Nr.	Manufacturing Part Nr.	Part description	Notes
101	2	0L0919	543629400	Wash manifold gasket	
102	1	0L1186	830632703	Prewash pipe	
103	1	048531	140066039	Hot water inlet tube	70 7/8in /1.8 m
104	1	0L2402	569608800	Hot water inlet tube gasket	
105	1	0E5848	RT0011900	Inlet splashguard	
106	1	0E5424	W00525400	Nut	1/2in G
107	2	0L2308	543633U00	Wash hub inner o-ring	65.09x3.53mm
108	2	0L1188	830633101	Wash arm hub	
109	1	0L0974	830635702	Upper prewashing arm	Up to Ser:5051
109	1	0L3471	830635702	Upper prewashing arm	From Ser:5061
110	1	0L0985	830641302	Lower prewashing arm	Up to Ser:5051
110	1	0L3472	830641302	Lower prewashing arm	From Ser:5061
110	1	0L0985	830641302	Lower prewashing arm	
111	4	0L2310	543633S00	Wash arm hub o-ring	50X3mm
112	2	0L1370	800669401	Wash arm latch	106
113	1	0L0951	800666601	Pump intake screen	
114	2	0L2087	5146A2I00	Wash arm hook	
115	2	0L0915	518682500	Hose clamp	100-120mm
116	1	0L1588	544685600	Prewash pump inlet elbow	
117	1	0L1402	611633201	Prewash pump (M8)	
118	1	0L0933	544639600	Suction hose	
119	1	0L1587	544685300	Prewash pump inlet boot	
120	1	0L2686	5146A4Z00	Fitting M-M	1/2 NPT-3/4in G
121	1	0L0477	514694300	Hose barb	3/8in G
122	1	0L2516	696618500	Solenoid valve (YV12)	
123	1	0L2701	657602900	Cold water flowmeter (S13)	
124	1	0L2687	5146A5400	Inlet fitting	3/4in G
125	1	0L0178	549642800	Flow reducer	20 l/min
126	1	0E5056	W00525500	Nut	3/4in G
127	1	0L0935	544640001	Prewash tank drain boot	
128	2	0L0193	518614400	Hose clamp	40-60mm
129	1	0L2506	696618600	Drain solenoid valve (YV13)	
130	1	049201	543624401	Gasket	15.5x24x3mm
131	1	0L2698	511620Y00	Fitting M-F	1/2-3/4in G
132	1	0E5421	W00528100	Tee fitting	1/2in G
133	1	0L0939	544683100	Drain pipe	40x5mm
134	1	0L1499	830645102	Right prewash scrap screen	
135	1	0L2290	830656100	Left prewash scrap screen	
136	1	0L1490	544684900	Prewash pump outlet boot	
137	4	046855	518602801	Hose clamp	50-70mm
138	1	048252	830617602	Prewash scrap basket	
139	2	048126	518609801	Hose clamp	12-22mm
140	1	0L2700	511620X00	Elbow fitting M-F	1/2in G
141	1	0L2688	5146A5000	Fitting F-M	1/2-3/8in G
145	1	0L0914	518682600	Hose clamp	80-100mm

Prewash hydraulic circuit, Prewash for 22 inch module					ill. 595669M00p4 Bold Print = changes
Pos.	Q.ty	Spare Part Nr.	Manufacturing Part Nr.	Part description	Notes
146	1	0L2307	543633V00	Overflow outlet o-ring	42.86x3.53mm
147	1	0L2296	830657400	Overflow + O-ring	Assembly code
147a	1	0L2359	543634100	O-ring for overflow	2,62 X 32,99mm
148	1	075624	511607200	Overflow boot	
149	1	066079	215190400	Nut	1 1/2in G
150	1	0L1589	805664200	Prewash overflow manifold	
151	1	046878	518602701	Hose clamp	35-50mm
152	1	068121	330700014	Water filter	3/4in G
155	1	0L2697	805665K00	Drain solenoid valve header M-F	1 1/2in
158	1	0L1184	5026A3100	Manifold reducer	23mm ID
159	1	0L1189	219065212	Wash manifold snap ring	52X2mm
163	1	0L2362		Air trap assembly	Qty 2 in 44 inch machine, Qty 3 in 66 inch machine
163a	1	048308	542604901	Air trap	
163b	1	049268	544623800	Air trap nut	M14x1.5mm
163c	1	0L2305	543633X00	Air trap o-ring	2.62x15.54mm
164	1	0L2407	504603203	Prewash pump motor bracket	
165	4	0L2409	217015205	Bolt	M8X20mm (Set of 10 pcs)
166	4	0E5063	W00501500	Nut	M8

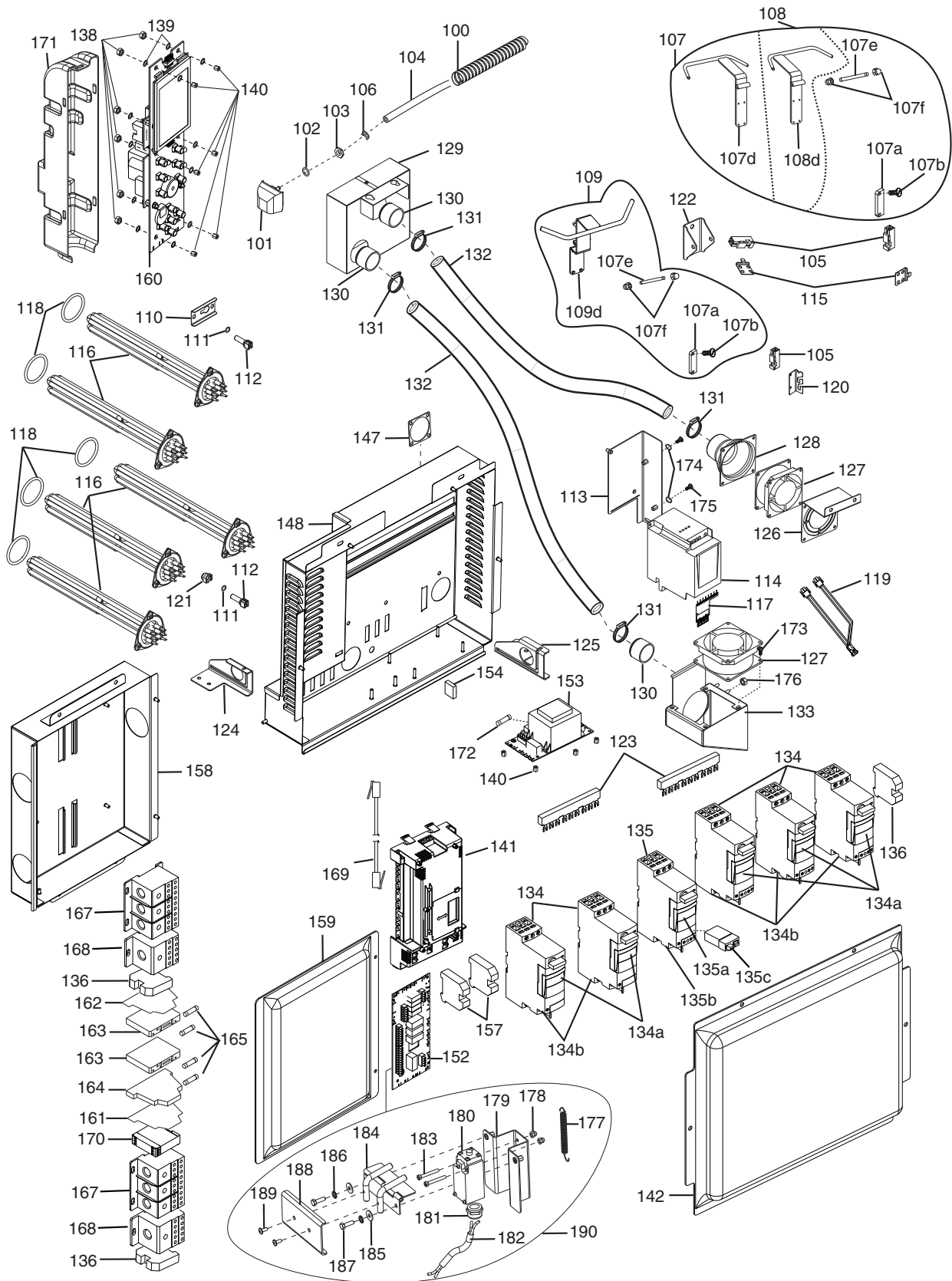


**iii. 595669M00p5**  
**Rinse hydraulic circuit, Wash + Rinse for 44 inch module**

From Ser. nr.: 227

Rinse hydraulic circuit, Wash + Rinse for 44 inch module					iii. 595669M00p5 Bold Print = changes
Pos.	Q.ty	Spare Part Nr.	Manufacturing Part Nr.	Part description	Notes
101	4m	048531	140066039	Air gap inlet tube	
102	1	0TH077	218574005	Lower rinse arm spring nut	M6
103	1	0L2413	217014145	Lower rinse arm spring bolt	M6x14mm (Set of 100 pcs)
104	2	0L2402	569608800	Hot water inlet tube gasket	
105	2	0E5507	W00303700	Rinse arms nut	1/2in G X29mm
106	2	0L2529	0830657M00	Rinse arm	
107	1	0L2518	5056A1J00	Lower rinse arm spring	
108	1	0L2517	5056A1H00	Upper rinse arm spring	
109	2	0L2306	543633W00	Rinse arm o-ring	17.3X 2.4mm
110	1	0L0652	511619800	Rinse arm "T" fitting	
111	1	0L0653	511619900	Rinse arm "L" fitting	
112	2	0L2551	518684F00	Hose clamp (stainless steel)	200-220mm
113	1	0L2228	850663W00	Booster tank	
114	1	0L1525	569608300	Booster tank insulation	
119		0L2288	544685N00	Tubing	1/8in OD
120	1	0L1526	694606000	Electric filter (RC)	
121	1	0L0477	514694300	Hose barb F	3/8in G
122	1	0L2516	696618500	Solenoid valve (YV1)	
123	3	0L2692	541617900	Rinse aid injector	1/8T X1/8MNPT
124	1	0L2687	5146A5400	Inlet fitting	3/4in G
125	1	0L0178	549642800	Flow reducer	20 l/min
126	1	0L2698	511620Y00	Fitting M-F	1/2-3/4in G
127	1	068121	330700014	Water filter	3/4in G
128	1	0L2686	5146A4Z00	Fitting M-M	1/2in NPT-3/4in G - Only for 44"
129	1	0L2688	5146A5000	Fitting F-M	1/2-3/8in G
130	1	049201	543624401	Gasket	15.5x24x3mm
131	1	0L2160	5146A3100	Brass hose connector	
132	1	0L2693	805665G00	Rinse aid injector kit	
133	1	0L2694	5146A4P00	Rinse aid bulkhead	1/8in NPT
134	1	0E5424	W00525400	Nut	1/2in G
135	2	0L0040	514692200	Hose barb	1/2in G
136	1	0L1351	514600200	Gate valve	
137	1	0L2047	830654T00	Rinse tube with nut	
138	1	0L2048	830654U00	Rinse tube with nut	
139	16	048126	518609801	Hose clamp	12-22mm
140	1	0L2701	657602900	Cold water flowmeter (S11)	
141	1	0L2353	5146A3M00	Fitting M-M	1/2-3/8in G - Only for 66"
142	1	0L2668	5066A1300	Capacitor support	
143	1	0L2672	611637N00	Rinse pump (M2)	
144		048531	140066039	Rinse tubing	12X19.5mm
145	2	0L1892	544685800	Rinse check valve	
146	2	0L2362		Air trap assembly	Qty 2 in 44 inch machine, Qty 3 in 66 inch machine
146a	1	048308	542604901	Air trap	
146b	1	049268	544623800	Air trap nut	M14x1.5mm

Rinse hydraulic circuit, Wash + Rinse for 44 inch module					ill. 595669M00p5 Bold Print = changes
Pos.	Q.ty	Spare Part Nr.	Manufacturing Part Nr.	Part description	Notes
146c	1	0L2305	543633X00	Air trap o-ring	2.62x15.54mm
147	2	0L2699	514689400	Hose barb F	1/2in G
149	1	0L2589	509612A00	Air gap body	
152	3	049201	543624401	Gasket	15.5x24x3mm
155	1	0L1132	673608302	Pressure sensor PCB (SP1)	
156	1	0L1909	544685A00	Air trap tube	
157		0L2322	611636H00	ESD fan motor (M6)	
158	1	0L0952	800668202	ESD fan motor support	Up to Ser.: 5141
158	1	0L3569	541618H00	ESD fan motor support	From Ser.: 5151
159	1	0L0941	549644900	ESD fan	
160	1	0L1730	511620800	Water-air heat exchanger (ESD)	Up to Ser.: 5141
160	1	0L3573	511621200	Water-air heat exchanger (ESD)	From Ser.: 5151
161	1	0L1727	5046A6B00	ESD tray suction side	Up to Ser.: 5141
162	1	0L1729	830654H00	ESD suction manifold	Up to Ser.: 5141
163	1	0L1728	800672400	ESD tray fan side	Up to Ser.: 5141
164	1	0L3570	543635S00	CU motor gasket	From Ser.: 5151
165	1	0L0689	140036014	ESD fan motor gasket	From Ser.: 5151
166	1	0L3560	5046AB901	NEWRT CU top cover	From Ser.: 5151
167	1	0L3566	83065D600	ESD support	From Ser.: 5151
168	1	0L3567	83065D800	Bracket for ESD support	From Ser.: 5151
169	1	0L3568	83065D901	Support for ESD bracket	From Ser.: 5151
170	1	0L3561	83065DD01	NEWRT CU top cover	From Ser.: 5151
171	1	0L0876	543631001	CU gasket	From Ser.: 5151



**II. 595669M00p6**  
**Electrical components, Wash + Rinse for 44 inch module**

Electrical components, Wash+Rinse for 44 inch module					II. 595669M00p6 Bold Print = changes
Pos.	Q.ty	Spare Part Nr.	Manufacturing Part Nr.	Part description	Notes
100	1	0L1948	W00050701	Pressure sensor tube cover	
101	1	048308	542604901	Air trap	
102	2	0L2305	543633X00	Air trap o-ring	2.62x15.54mm
103	1	049268	544623800	Air trap nut	M14x1.5mm
104		072393	W00537200	Pressure sensor hose	
105	3	049621	654600000	Reed sensor (S1, S2, S4)	Qty 2 for levers, Qty 1 for door
106	3	0L0082	518613000	Hose clamp	7.3-7.8mm
107	1	0L2678	835621R01	Right wash lever assembly (107a/107b/107d/107e/107f)	For right to left machine, Qty 1 in 44 inch machine, Qty 2 in 66 inch machine
108	1	0L2679	835621S01	Left wash lever assembly (107a/107b/108d/107e/107f)	For left to right machine, Qty 1 in 44 inch machine, Qty 2 in 66 inch machine
109	1	0L2680	835621T01	Rinse lever assembly (107a/107b/109d/107e/107f)	
107a	1	0L2534	699605900	Magnet	
107b	2	0L2674	217751105	Magnet screw	3X10mm (Set of 10 pcs)
107f	2	0TH076	218573005	Cap nut	M5
107e	1	0L1449	514699000	Wash / rinse lever axle	
107d	1	0L2675	830658W00	Right wash lever	For right to left machine
108d	1	0L2676	830658X00	Left wash lever	For left to right machine
109d	1	0L2677	830658Y00	Rinse lever	
110	1	0L0366	507683800	Temperature probe bracket	For wash / prewash tank
111	2	0L2303	543633Z00	Temperature probe o-ring	9.25 X 1.78mm
112	2	049643	124294000	Temperature probe (ST1, ST4)	
113	1	0L2508	830657K00	Inverter fan bracket	
114	1	0L2511	830658900	Inverter (U1)	Programmed version
115	2	0L3164	502698502	Reed sensor bracket	For wash section and door
116	5	0L2703	617633L00	Heating element (R1, R2, R3, R4, R5)	9.0 kW 208V
116	5	0L2704	617633M00	Heating element (R1, R2, R3, R4, R5)	9.0 kW 240V
117	1	0L2510	673611S00	ATV12_CSA control board (A7)	
118	5	0L2304	543633Y00	Heating element o-ring	56.52X5.33mm
119	1	0L2543	638689N00	Wiring harness (to connect inverter to fan)	
120	1	0L1866	5066A0500	Reed sensor bracket	For rinse section
121	1	0L0280	514693100	Temperature probe nut	For the booster tank
122	1	0L2272	5066A0D00	Rinse lever bracket	
123	2	0L1226	639626800	9 pin contactor jumper	
124	1	0L1329	5026A0200	Electrical box left side bracket	
125	1	0L1595	5026A5400	Electrical box right side bracket	
126		0L2316	5066A0C01	Cooling fan front bracket	
127	2	0L2175	549646500	Cooling fan motor (M14, M16)	
128	1	0L2301	544685Q00	Air duct	
129	1	0L2558	800674400	Cooling fan air intake	
130	3	0L2552	544687900	Manifold	
131	4	0L0193	518614400	Hose clamp	40-60mm
132		0L2505	140600400	Hose	58mm OD x 49mm ID x 65mm
133	1	0L2559	830658700	Fan discharge bracket	

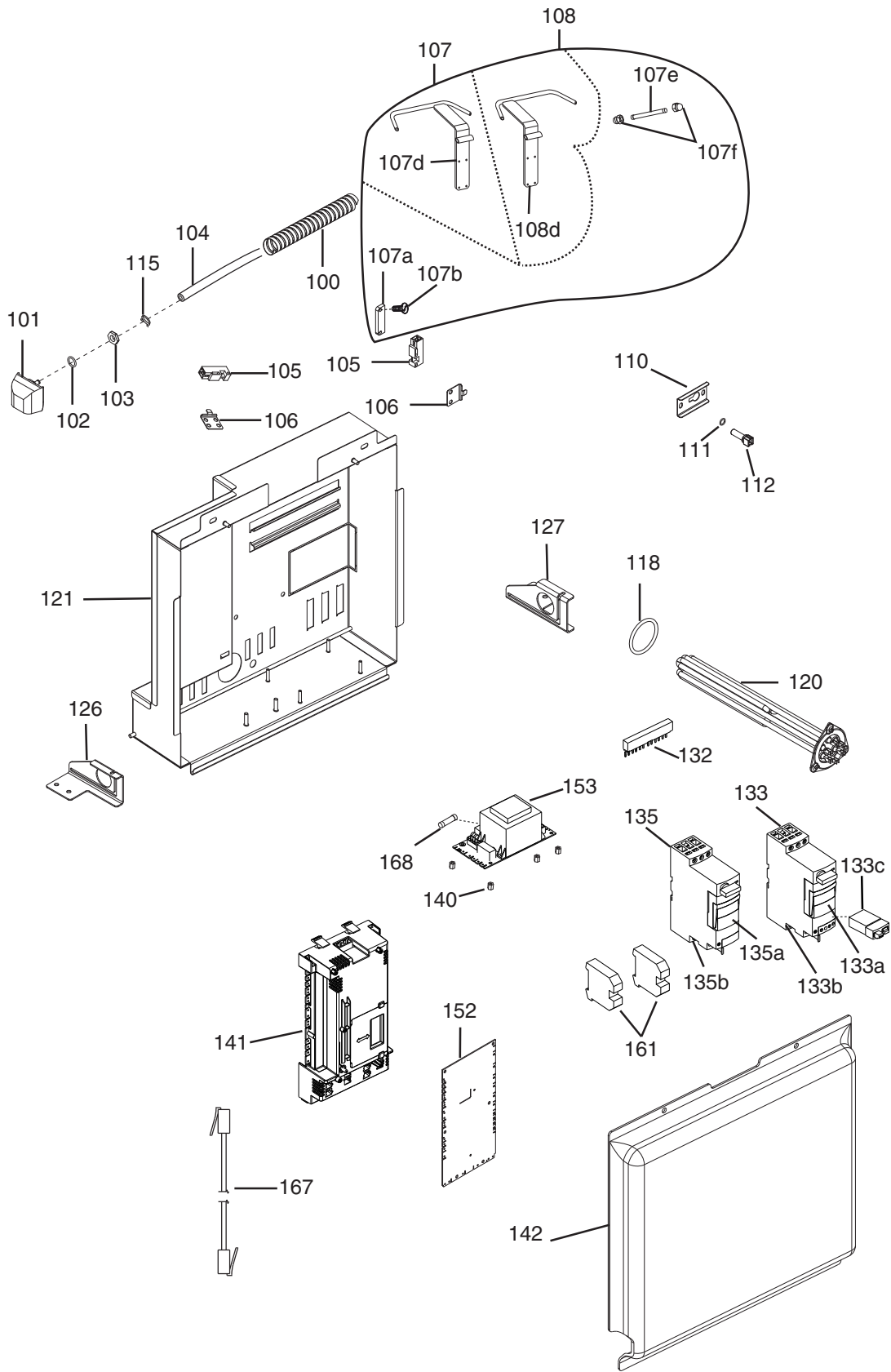
Electrical components, Wash+Rinse for 44 inch module					II. 595669M00p6
					Bold Print = changes
Pos.	Q.ty	Spare Part Nr.	Manufacturing Part Nr.	Part description	Notes
134	5	0L1016	648614301	Heater contactor assembly (QF1, QF2, QF4, QF14, QF24)	8A-32A
134a	5	0L2336	648615100	Heater contactor overload (QF1, QF2, QF4, QF14, QF24)	8A-32A
134b	5	0L2335	648614600	Heater contactor base (QF1, QF2, QF4, QF14, QF24)	
135	1	0L1036	648615300	Wash pump contactor assembly (QM4)	3A-12A
135a	1	0L2338	648614900	Wash pump contactor overload (QM4)	3A-12A
135b	1	0L2337	648614500	Wash pump contactor base (QM4)	
135c	1	0L1441	648615200	Wash/prewash pump auxiliary contact (QM4)	
136	3	0L2447	639629S00	Terminal block	
138	6	0L2470	218522005	Bolt	M4X3.2mm (Set of 10 pcs)
139	12	0L2471	206002109	Washer	4.1X8X0.5mm (Set of 10 pcs)
140	4	088653	516807900	Transformer PCB spacer	
141	1	0L2206	673611900	MEC Board (A2)	Same as prewash MEC board (A6) Up to Ser: 4021
141	1	0L3602	673612R00	MEC Board (A2)	Same as prewash MEC board (A6) From Ser: 4031
142	1	0L1202	541614700	Right electrical box cover	
147	1	0L2553	569608D00	Cooling fan motor gasket	
148	1	0L2227	850663V01	Right electrical box assembly	
152	1	0L1737	673611200	Wash connector board (AP1)	
153	1	0L2526	624606500	Transformer PCB (GS1)	230Vx24V 50VA - Same as prewash Transformer PCB (GS5)
154	1	0L2556	699605B00	10 pin electrical connector (XC4)	
155	7	0L1227	639627800	8 pin electrical connector (XC2, XC5, XC6, XC7, XC8, XC9, XC10)	Up to Ser:4031
156	3	0L1228	639627900	10 pin electrical connector (XC1, XC3, XC4)	Up to Ser:4031
157	2	0L1298	639628900	Terminal block (XT3, XT4)	
158	1	0L2632	850664C00	Left electrical box	
159	1	0L1495	541615100	Left electrical box cover	
160	1	0L2689	805664M00	User interface PCB (A1)	
161	1	0L1593	639628800	Main terminal block lower spacer	
162	1	0L2293	639629Q00	Main terminal block upper spacer	
163	2	0L2294	639629P00	Fuse holder (F1, F2)	
164	1	0L1296	639628700	Varistor terminal block (VDR)	
165	4	0L1295	652608200	Fuse 5X20 10A T 250 Vac (F1, F2)	For main terminal block
167	2	0L2572	639629T00	Main terminal block (XT1, XT2)	Three pole, 600V
168	2	0L2573	63962A400	Ground terminal block	Single pole, 600V
169	1	0L2273	639629N00	Communication cable	6.5m
170	1	0L2713	646619800	Phase sequence monitoring relay (KA4)	
171	1	0L2218	541617800	User interface cover	
172	1	0C4996	652806100	Fuse 5X20 3.15A T 250 Vac	For transformer board
173	4	0TH060	217522105	Screw	M4X10
174	2	0TH044	206043615	Washer	5.3X10
175	2	0C3539	217043125	Screw	M5X12

Electrical components, Wash+Rinse for 44 inch module

II. 595669M00p6

**Bold Print = changes**

Pos.	Q.ty	Spare Part Nr.	Manufacturing Part Nr.	Part description	Notes
176	1	0KU151	W00501200	Nut	M4 - (to fix Fan discharge bracket to the Inverter fan bracket)
177	1	049584	514681900	Spring	
178	2	0L2719	218572005	Domed cap nut	M4 (Set of 10 pcs)
179	1	0L2696	800674200	End limit switch support	
180	1	0L2706	699605A00	End limit switch	
181	1	0L2707	63962A300	Brass cable gland	
182	1	0L2708	638689Y00	Cable AWG18	
183	2	0L2720	510R01000	Screw	M4X30mm (Set of 10 pcs)
184	1	0L2710	800674300	Hinge	
185	2	0TH039	206003405	Plain washer	5,3X15mm
186	2	0Q0008	206043615	Washer	5.3mm (Set of 6 pcs)
187	2	0L2721	217600100	Screw	M5X16mm (Set of 10 pcs)
188	1	0L2712	5066A0U00	Plate	
189	2	0L2513	217042105	Screw	M4X10mm (Set of 10 pcs)
190	1	0L2718	835621Q00	Table limit switch assembly (SQ)	



**iii. 595669M00p7**  
**Electrical components, Prewash for 22 inch module**

From Ser. nr.: 227

Page: 25 Ed. 2012-05

Doc. Nr.: 595669M00

Electrical components, Prewash for 22 inch module					iii. 595669M00p7 Bold Print = changes
Pos.	Q.ty	Spare Part Nr.	Manufacturing Part Nr.	Part description	Notes
100	1	0L1948	W00050701	Pressure sensor tube cover	
101	1	048308	542604901	Air trap	
102	1	0L2305	543633X00	Air trap o-ring	2.62x15.54mm
103	1	049268	544623800	Air trap nut	M14x1.5mm
104	1	072393	W00537200	Pressure sensor tube	
105	2	049621	654600000	Reed sensor (S4, S7)	
106	2	0L3164	502698502	Reed sensor bracket	
107	1	0L2678	835621R01	Right wash lever assembly (107a/107b/107d/107e/107f)	For right to left machine, Qty 1 in 44 inch machine, Qty 2 in 66 inch machine
108	1	0L2679	835621S01	Left wash lever assembly (107a/107b/108d/107e/107f)	For left to right machine, Qty 1 in 44 inch machine, Qty 2 in 66 inch machine
107a	1	0L2534	699605900	Magnet	
107b	2	0L2674	217751105	Magnet screw	3X10mm (Set of 10 pcs)
107f	2	0TH076	218573005	Cap nut	M5
107e	1	0L1449	514699000	Wash / rinse lever axle	
107d	1	0L2675	830658W00	Right wash lever	For right to left machine
108d	1	0L2676	830658X00	Left wash lever	For left to right machine
110	1	0L0366	507683800	Temperature probe bracket	
111	1	0L2303	543633Z00	Temperature probe o-ring	9.25 X 1.78mm
112	1	049643	124294000	Temperature probe (ST8)	
115	1	0L0082	518613000	Hose clamp	7.3-7.8mm
118	1	0L2304	543633Y00	Heating element o-ring	56.52X5.33mm
120	1	0L2703	617633L00	Heating element (R10)	9kW 208V
120	1	0L2704	617633M00	Heating element (R10)	9kW 240V
121	1	0L1707	850662B01	Prewash electrical box assembly	
126	1	0L1329	5026A0200	Prewash electrical box right bracket	
127	1	0L1316	5026A0300	Prewash electrical box left bracket	
132	1	0L1025	639626700	6 pin contactor jumper	
133	1	0L1222	648614102	Prewash pump contactor assembly (QM8)	1.25A-5A
133a	1	0L2339	648614800	Prewash pump contactor overload (QM8)	1.25A-5A
133b	1	0L2337	648614500	Pump contactor base (QM8)	
133c	1	0L1441	648615200	Wash/prewash pump auxiliary contact (QM8)	
135	1	0L1016	648614301	Heater contactor assembly (QF10)	8A-32A
135a	1	0L2336	648615100	Heater contactor overload (QF10)	8A-32A
135b	1	0L2335	648614600	Heater contactor base (QF10)	
140	4	088653	516807900	Transformer PCB spacer	
	1	0L2206	673611900	MEC Board (A6)	Same as prewash MEC board (A2) Up to Ser: 4021
	1	0L3602	673612R00	MEC Board (A6)	Same as prewash MEC board (A2) From Ser: 4031
142	1	0L1591	541615300	Prewash electrical box cover	
152	1	0L1739	699605200	Prewash connector board (AP5)	
153	1	0L2526	624606500	Transformer PCB (GS5)	230Vx24V 50VA - Same as wash Transformer PCB (GS1)
155	3	0L1227	639627800	8 pin electrical connector (XC45, XC47, XC49)	Up to Ser:4031
156	1	0L1228	639627900	10 pin electrical connector (XC44)	Up to Ser:4031

Pos.	Q.ty	Spare Part Nr.	Manufacturing Part Nr.	Part description	Notes
161	2	0L1298	639628900	Terminal block (XT13, XT14)	
167	1	0L2273	639629N00	Communication cable	6.5m
168	1	0C4996	652806100	Fuse 5X20 3.15A T 250 Vac (F1)	For transformer board
				<b>Various</b>	
		0L2292	805664Y02	Spare fasteners box	
		0L2177	59566BL00	Caution label 208/240V with boiler	
		0L2178	59566BM00	Detergent labels assembly	
		0L2645	59566BN00	Temperature labels assembly	
		0L2180	59566BP00	Main terminal block label 208V	
		0L2181	59566BQ00	Booster terminal block label 208V	
		0L2646	59566BR00	Main terminal block label 240V	
		0L2647	59566BS00	Booster terminal block label 240V	
		0L2648	59566BU00	Warning label	