

Plug-inPlatform

Viale Treviso, 15
33170 Pordenone - Italy
Fax: +39 0434-380577

PANINI GRILL SIRMAN USA

Code	Type	Ref.	Page	Notes
601580	DGR-10		2-4	Elio
601581	DGS-10		2-4	Elio
601582	DGS/S-10		2-4	Elio
601583	DGR-15		2-5	Cort
601584	DGS-15		2-5	Cort
601585	DGS/S-15		2-5	Cort
601571	DGS-20		3-6	PD
601572	DGM-20		3-6	PD
601573	DGS/S-20		3-6	PD
601586	DGR-20		3-6	PD

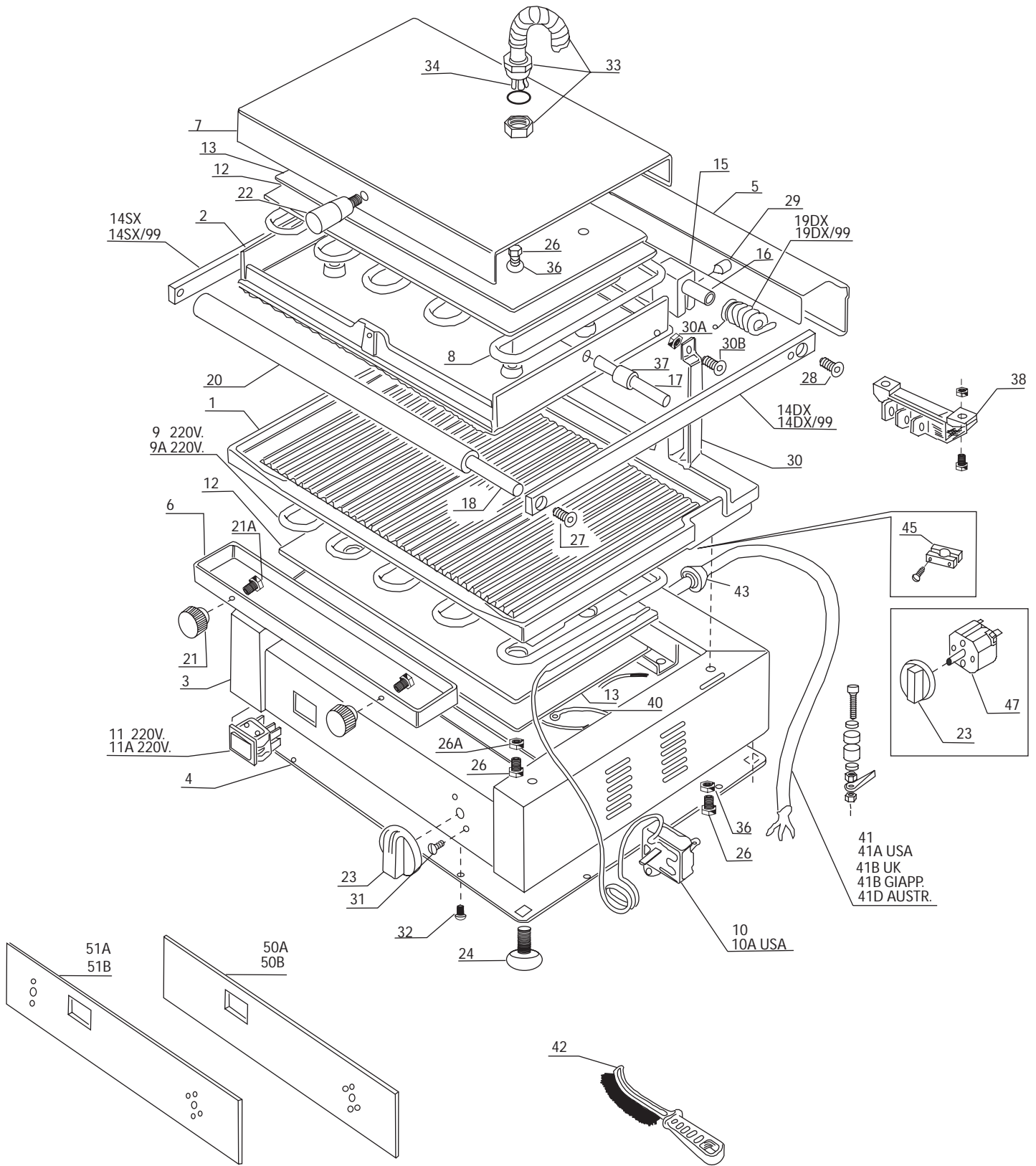
	Indice	Index
Pag. 2	Mobile e componenti	Structure and components
3	Mobile e componenti	Structure and components
4-5- 6	Lista ricambi	Spare parts list

Marchio / Brand: Electrolux Dito
Factory code: External Supplier Sirman

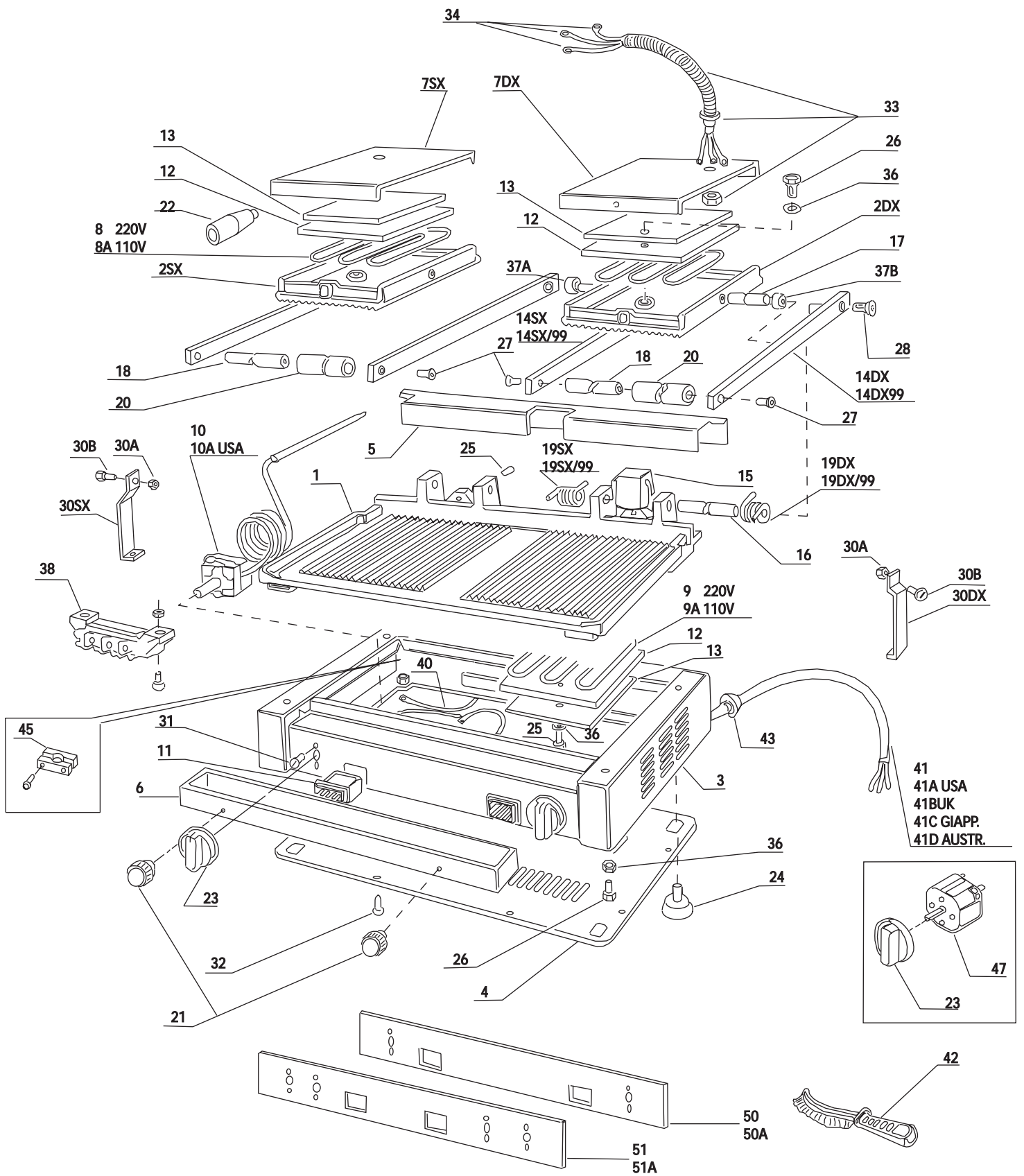
Da Ser. Nr. / From ser. nr.:

Ed. 0107

Doc. Nr.: **SP-SIRMAN-PGRILL**



DG...10
DG...15



DG...20

PANINI GRILL SIRMAN USA

Code **Type**
601580 **DGR-10**
601581 **DGS-10**
601582 **DGS/S-10**

Pos	Factory Code	6DGT Code	Descrizione	Description	Ref/ Notes
			Pagina 2	Page 2	suggested
1	IGS200EAL	0SI061	PIASTRA INF. LISCIA USA LEI	Plate bottom smooth	x
1	IGS200EAR	0SI062	PIASTRA INF. RIGATA USA LEI	Plate bottom ribbed	x
2	IGS203EAL	0SI068	PIASTRA SUP. LISCIA USA LEI	Plate top smooth	x
2	IGS203EAR	0SI069	PIASTRA SUP. RIGATA USA LEI	Plate top ribbed	x
3	IGS102E		Basamento inox LEI L/R	Bottom panel	
4	IGS124E		Cop. inf. zincata LEI L/R	Cover bottom	
5	IGS108E		Copertura post. inox LEI L/R	Cover rear	
6	IGS106E		Cassetta racc. inox LEI L/R	Box	
7	IGS100P		Copertura sup. dx PD R/L/M	Cover top	
12	IGS600P	0US386	Pannello isolat. PD/TPO/LEI	Insulation	
13	IGS120E		Prot. pann. isol. LEI L/R	Protection	
15	IGS280		Freno ottone PD-CRT-LEI	Break brass	
16	IGS140P	0SI003	Perno soll. d.12 PD/ELIO	Inge	
17	IGS146P	0SI002	Perno bilanciamento PD/LEI	Inge for balancing	x
18	IGS143P	0SI057	Perno impugnatura PD/LEI	Inge for handling	x
20	IGS300P	0US370	Impugn. soll. PD/ LEI	Handle	x
21	IGS333	0SI070	POMEL. cass. PD-CRT-LEI-TPO-Q	Handle	x
22	IGS330		Pomel. piast sup. PD-CRT-LEI	Handle	
23	IGS336	0US371	Manop.termost. PD-CRT-LEI-TPO-Q	Knob thermostat	x
24	IGS360	0US372	Piedino PD-CRT-LEI-TPO	Foot	
30	IGS170		Ast. anti ribalt. LEI	Rod anti tip over	
33	IGS546	0SI005	Spirale prot.Compl. PD-CRT-LEI	Spiral for protection	
34	IGS481		CABLAGGIO SUPERIORE CRT-LEI	Cable top	
37	IGS147E		ANELLO DISTANZIALE LEI	Ring spacer	
38	IGS469	0US381	Morsettieria PD/CRT/LEI/TPO	Terminal block	x
40	IGS484E		CABLAGGIO INFERIORE LEI	Cable bottom	
42	IGS126	0US358	Spazzola PIASTRE	Brusher for plate	
43	IGS463		PRESSACA V O PG 11	Cable clamp	
45	IGS463A		PRESSACA V O PA268 USA CRT/LEI/Q	Cable clamp	
47	IGS450	0SI072	TIMER PD-CORT-EL-TPO	Timer	x
50	IGSELIO	ISI155	MOSTRINA S. LEI	Layer	
51	IGSELIOT	ISI158	MOSTRINA S. TIMER LEI	Layer for timer	
	IGS461	0US380	Term.110/220V 60HZ PD-CRT-LEI-TPO	Thermostat	x
11A	IGS423	0SI071	Lamp.spia 110 V. PD-CRT-LEI-TPO	Lamp	x
14DX	IGS160	037888	Asta soll.dx FINO 99 PD-CRT-LEI	Rod	x
14DX/99	IGS16099	0SI000	Asta soll.dx DAL. 99 PD-CRT-LEI	Rod	x
14SX	IGS162	0SI059	Asta soll.sx FINO 99 PD-CRT-LEI	Rod	x
14SX/99	IGS16299	0SI001	Asta soll.sx DAL. 99 PD-CRT-LEI	Rod	x
19DX	IGS540	0US384	MOLLA SOLL. DX F.AL 99 PD-LEI	Spring	x
19DX/99	IGS54099	0SI073	MOLLA SOLL. DX DAL 99 PD-LEI	Spring	x
19SX	IGS543	0US385	MOLLA SOLL. SX F.AL 99 PD-LEI	Spring	x
19SX/99	IGS54399	0PR054	MOLLA SOLL. SX DAL 99 PD-LEI	Spring	x
26A	IGS50R06		Rondella d.6 PD-CRT-LEI-TPO	Bush	
41A	IGS471A		CAVO ALIMENTAZIONE USA CRT/LEI	Cable supply	
50A	IGSELIOP	ISI156	MOSTR. PERS/NEUTR. LEI	Layer neutral	
51A	IGSELIOPT	ISI157	MOSTR. PERS/NEUTR. TIMER LEI	Layer neutral for timer	
8A	IGS403P	0US375	Resist.sup.sx/dx 110V. PD/LEI	Heating element top	x
9A	IGS408P	0US377	Resist.inf.sx/dx 110 PD/TPO/LEI	Heating element bottom	x

PANINI GRILL SIRMAN USA

Code Type
601583 DGR-15
601584 DGS-15
601585 DGS/S-15

Pos	Factory Code	6DGT Code	Descrizione	Description	Ref/ Notes
			Pagina 2	Page 2	suggested
1	IGS200CAL	0SI060	PIASTRA INF. LISCIA USA CRT	Plate bottom smooth	x
1	IGS200CAR	0US367	PIASTRA INF. RIGATA USA CRT	Plate bottom ribbed	x
2	IGS203CAL	0SI066	PIASTRA SUP. LISCIA USA CRT	Plate top smooth	x
2	IGS203CAR	0SI067	PIASTRA SUP. RIGATA USA CRT	Plate top ribbed	x
3	IGS102C		Basamento inox CRT L/R	Bottom panel	
4	IGS124C	0US363	Cop. inf. zincata CRT L/R	Cover bottom	
5	IGS108C		Copertura post. inox CRT L/R	Cover rear	
6	IGS106C	0US359	Cassetta racc. inox CRT L/R	Box	
7	IGS100C		Copertura superiore CRT L/R	Cover top	
12	IGS600C	0US474	Pannello isolatore K85 CRT L/R	Insulation	
13	IGS120C	0US475	Prot. pann. isol. CRT L/R	Protection	
16	IGS140C		Perno soll. d.12 CRT L/R	Inge	
17	IGS146C	0SI058	Perno bilanciam. CRT L/R	Inge for balancing	x
18	IGS143C	0SI056	Perno impugnatura CRT L/R	Inge for handling	x
20	IGS300C	0US369	Impugn. sollevamento CRT L/R	Handle	x
30	IGS168		Ast. anti ribalt. CRT	Rod anti tip over	
37	IGS147C		ANELLO DISTANZIALE CRT	Ring spacer	
40	IGS484C		CABLAGGIO INFERIORE CRT	Cble bottom	
50	IGSCORT	0SI151	MOSTRINA S. CRT	Layer	
51	IGSCORTT	0PR171	MOSTRINA S. TIMER CRT	Layer for timer	
	IGS540C	0PR055	Molla soll. dx CRT	Spring	x
	IGS543C	0PR057	Molla soll. sx CRT	Spring	x
	IGSCORTP	0SI152	MOSTR. PERS/NEUTR. CRT	Layer neutral	
	IGSCORTPT	0PR172	MOSTR. PERS/NEUTR. TIMER CRT	Layer neutral for timer	
19D	IGS540C99	0PR056	MOLLA SOLL. DX DAL 99 CRT	Spring	x
19S	IGS543C99	0PR058	MOLLA SOLL. SX DAL 99 CRT	Spring	x
8A	IGS403C	0US374	Resist.sup.sx/dx 110V. CRT L/R	Heating element top	x
9A	IGS408C	0US376	Resist.inf.sx/dx 110V. CRT L/R	Heating element bottom	x

PANINI GRILL SIRMAN USA

Code Type
 601571 DGS-20
 601572 DGM-20
 601573 DGS/S-20
 601586 DGR-20

Pos	Factory Code	6DGT Code	Descrizione	Description	Ref/ Notes
			Pagina 3	Page 3	suggested
1	IGS200PAL	0SI063	PIA STRA INF. LISCIA USA TPO/PD	Plate bottom smooth	x
1	IGS200PAM	0SI064	PIA STRA INF. MISTA USA TPO/PD	Plate bottom mixed	x
1	IGS200PAR	0SI065	PIA STRA INF. RIGATA USA TPO/PD	Plate bottom ribbed	x
3	IGS102P	0US360	Basamento inox TPO-PD R/L/M	Bottom panel	
4	IGS124P	0US364	Cop. inf. zincata TPO-PD R/L/M	Cover bottom	
5	IGS108P	0US362	Copertura post. inox PD R/L/M	Cover rear	
6	IGS106P		Cassetta rac.ix TPO-PD R/L/M	Box	
13	IGS120P		Prot. pann. isol. TPO-PD R/L/M	Protection	
34	IGS480	0SI006	CABLAGGIO SUPERIORE PD	Cable top	
40	IGS484		Cabl. inf. compl. PD/TPO	Cable bottom	
43	IGS472		PRESSACAVO PG13,5	Cable clamp	
45	IGS472A		PRESSACAVO PG13,5 USA	Cable clamp	
50	IGSPD TOP	0SI150	MOSTRINA S. PD/TPO	Layer	
51	IGSPD TOP T	ISI161	MOSTRINA S. TIMER PD/TPO	Layer	
2DX	IGS203PAL		PIA STRA SUP. LISCIA USA DX PD	Plate top smooth	
2DX	IGS203PAR		PIA STRA SUP. RIGATA USA DX PD	Plate top ribbed	
2SX	IGS206PAL		PIA STRA SUP. LISCIA USA SX PD	Plate top smooth	
2SX	IGS206PAR		PIA STRA SUP. RIGATA USA SX PD	Plate top ribbed	
30D	IGS164	0US365	Ast. anti ribalt. DX PD	Rod anti tip over	
30S	IGS166	0US366	Ast. anti ribalt. SX PD	Rod anti tip over	
37A	IGS148P	0US476	ANELLO DISTANZIALE INTERNO PD	Ring spacer inner	x
37B	IGS147P	0US477	ANELLO DISTANZIALE ESTERNO PD	Ring spacer external	x
41A	IGS470A	0SI007	CAVO ALIMENTAZIONE USA PD/TPO	Cable	
50A	IGSPD TOP P	ISI159	MOSTR. PERS/NEUTR. PD/TPO	Layer neutral	
51A	IGSPD TOP P T	0PR173	MOSTR. PERS/NEUTR. TIMER PD/TPO	Layer neutral w ith timer	
7SX	IGS101P		Copertura sup. sx PD/LEI	Cover	